

Commercial Tapware



GUARDIAN[®] TAPWARE

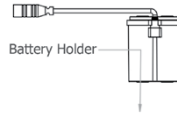
Gooseneck Bench Mounted Sensor Tap

T-3MSS-GHMST21B

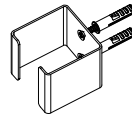
T-3MSS-GHMST21M

Available in mains or battery powered, with optional tempering valve

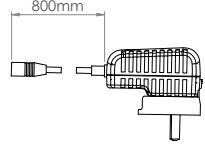
- Battery powered – 2x CR123 3V Lithium Batteries
- Mains powered – 6V transformer
- Full S/S construction
- Sensor range nominal: 50mm – 200mm
- Maximum run time: 60 seconds
- WELS 6 Star 3.5LPM
- Working pressure range 150kPa-500kPa
- Maximum operating temperature 50 degrees



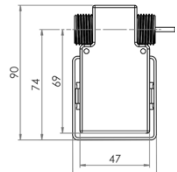
Battery Holder



Solenoid mounting bracket (included)



240v Power supply



Solenoid Unit



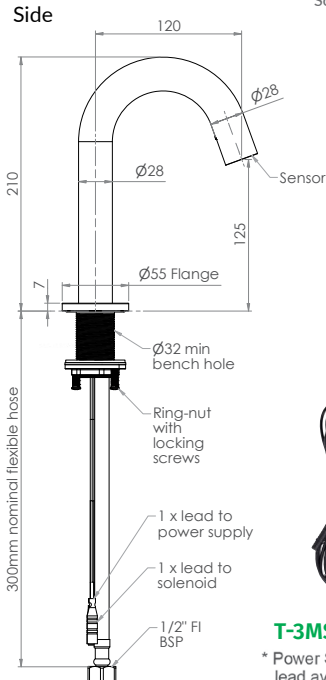
T-3MSSP-HMST-M



T-3MSSP-HMST-CBS



T-3MSSP-HMST-BP



T-3MSSP-HMST-3M

* Power Supply with 3 metre lead available separately