

SOAP DISPENSERS



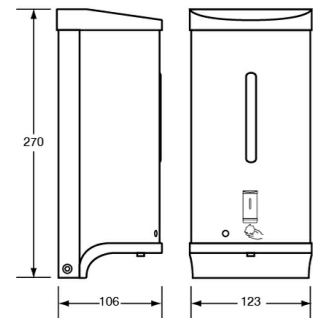
ML_MSD_FOAMDISP_BLK

Auto Foam Soap Dispenser in Designer Black

Specification

Material	#304 Stainless Steel Case, ABS Top & Base
Finish	Designer Matte Black
Specify	ML_MSD_FOAMDISP_BLK
Mounting	Surface Mount Concealed Fix
Dimensions	270mmH x 123mmW x 106mmD
Capacity	800ml removable reservoir
Features	Provides one foam spray (0.6~0.8mL) per cycle Auto Operation: Infrared Sensor Operated/Powered by four AA Batteries (not included) provides approx 25,000 cycles/one year usage LED Standby and Low Battery Light Liquid Level Indicator Can be used with select Medical Grade Soap Vandal-resistant security lock (key provided) Spare part available: ML_MSD_FOAMPUMP & ML_MSD_CONTROLBOX
Consumable Advice	A Commercial Grade Foam Soap with a Viscosity of 1cps (centipoise) should be used in this dispenser to ensure the dispenser performs at an optimal level. <i>* Any soap used that is not in line with the advice above may cause the unit to operate at a sub-optimal level, fail or damage the unit and could void the Metlam Australia product warranty.</i>
Metlam Australia Consumable	ML_HFS : Hand Foam Soap Aloe Vera
Also Available	ML_MSD_FOAMDISP_SS : Stainless Steel
Note	* This unit is accessible compliant when installed in accordance with AS1428.1 guidelines.

For installation instructions download the Metlam Australia App



Downloads & Resources

Care & Maintenance
 Installation instructions
 Associated Videos
 Stainless Steel Cleaning & Maintenance
 Looking after your Metlam Australia Automatic Soap Dispenser
 How to install a Metlam Australia MSD Soap Dispenser

*The photographs and line drawings of the products presented above are representational only.
Metlam Australia Pty Ltd reserves the right to, and from time to time, make changes and improvements in design and dimensions.*