

PAPER TOWEL / COMBINATION UNITS



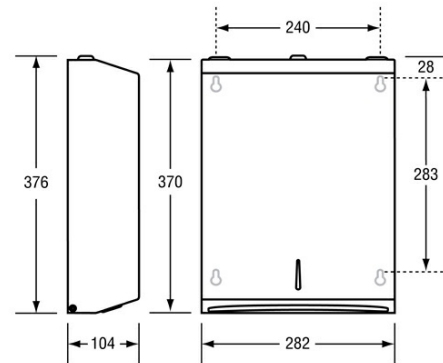
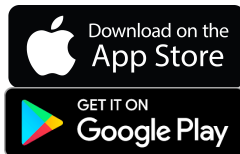
ML725_DESIGNER

Paper Towel Dispenser in Designer Black

Specification

Material	#304 Stainless Steel
Finish	Designer Matte Black
Specify	ML725_DESIGNER
Mounting	Surface Mount Concealed Fix
Dimensions	376mmH x 282mmW x 104mmD
Features	Unit fitted with tumbler lock Front View Paper Indicator Unit is supplied with 2 keys
Consumable Advice	Requires standard size commercial slim paper towel
Metlam Australia Consumable	ML_PT_SLIM : Slim Paper Towel
Also Available	ML725SS_MK2 : Satin Stainless Steel ML725W_MK2 : White
Note	* This unit is accessible compliant when installed in accordance with AS1428.1. guidelines.

For installation instructions download the Metlam Australia App



Downloads & Resources

Care & Maintenance
Installation instructions
Associated Videos
Stainless Steel Cleaning & Maintenance

The photographs and line drawings of the products presented above are representational only. Metlam Australia Pty Ltd reserves the right to, and from time to time, make changes and improvements in design and dimensions.