

## ML2711\_DESIGNER Designer Black Soap Dish

### Material Specifications

- #304 Stainless Steel Body
- Powder Coated Finish

### Dimensions

- 160mmW x 54mmH x 130mmD

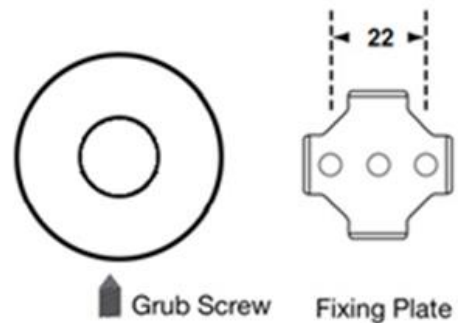
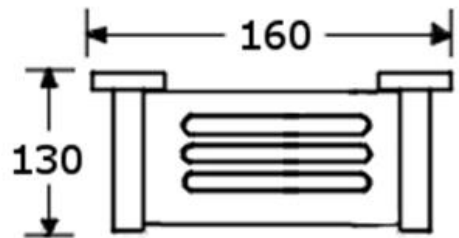
### Mounting

- Surface Mount Concealed Fix

### Installation Guidelines

- *May be subject to Australian Building Code Regulations for able bodied and/or disabled use, which is the responsibility of the installer.*
- It is recommended that these units be securely fixed to the substrate (e.g. noggins) or that suitable fasteners or anchors are used to securely affix the unit to the plasterboard, concrete or brick wall.

1. Remove fixing plates from the soap dish using the Allen key provided. Locate fixing position on wall or partition and mark using the left and right mounting holes of both fixing plates (do not put the screw into the middle hole, this can cause the fixing plate to become loose).
2. Drill holes and loosely secure fixing plate to wall or partition surface using screws and wall plugs provided.
  - It is recommended to cover fixing screw thread with a small amount of silicone to ensure fixing tension and long-term durability and also to minimise tampering.
3. Check the fixing plate is level and tighten screws.
4. Secure the soap dish onto the fixing plate bracket using the grub screw with the Allen key.
5. Ensure the grub screw is fully tightened to finish installation.



This product is AS1428.1 compliant (accessible compliant) when installed in accordance with the guidelines.

*The technical recommendations contained in this document are necessarily of a general nature and should not be relied on for specific applications without first securing competent advice. Whilst Metlam Australia Pty Ltd has taken all reasonable steps to ensure the information contained herein is accurate and current, it does not warrant the accuracy or completeness of the information and does not accept liability for errors or omissions. Any Commercial product should only be installed by a competent tradesperson and serviced/maintained by knowledgeable janitorial staff or competent people. Metlam Australia accepts no responsibility for any damage to product, walls or fixtures due to incorrect installation or maintenance of any of their products*

The photographs and line drawings of the products presented above are representational only.  
Metlam Australia Pty Ltd reserves the right to, and from time to time, make changes and improvements in design and dimensions.