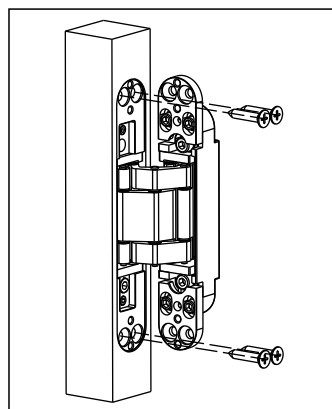
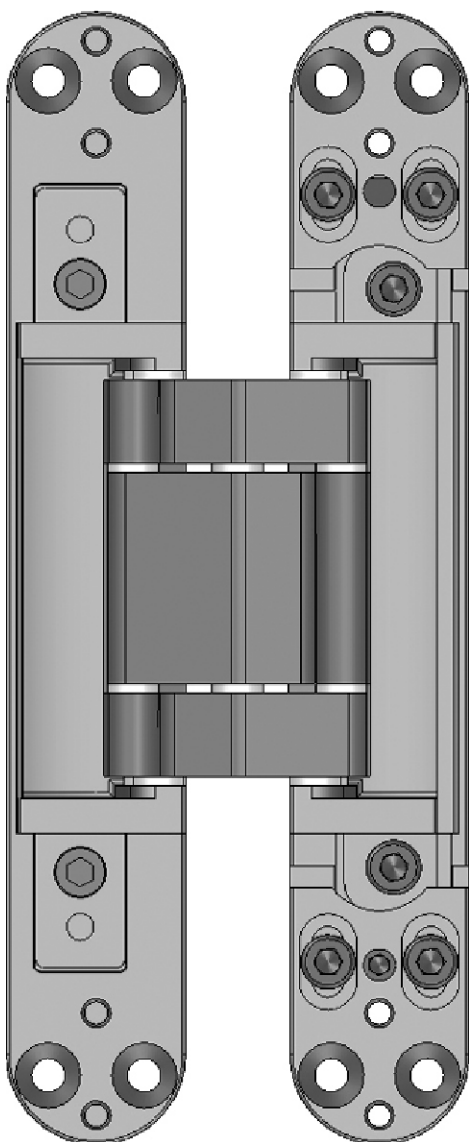
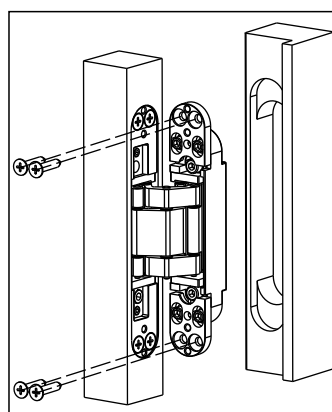


HY40KG-A

Concealed hinge system
for unrebated interior doors



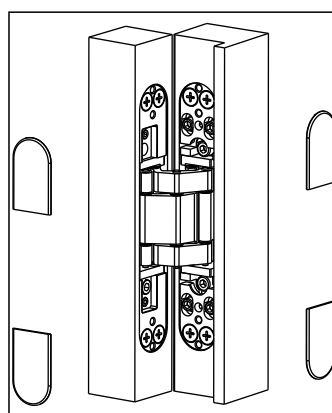
Conduct the routing,
cutter 24 mm \varnothing ,
collar ring 30 mm \varnothing ,
screw hinge door part (marked as
door) using 5 mm \varnothing wood
screws.



Fasten hinge frame part depending
on the frame type.

If required, please loose slightly
the upper clamping screws for the
height adjustment.

Block frame: Screw with 5 mm \varnothing
wood screws
For further frame types, see page 2



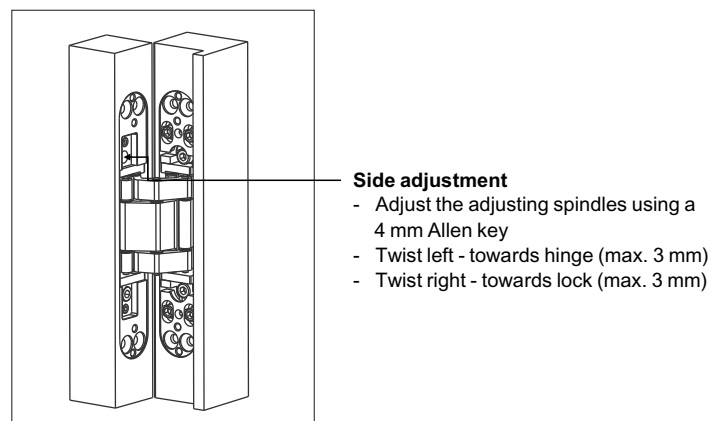
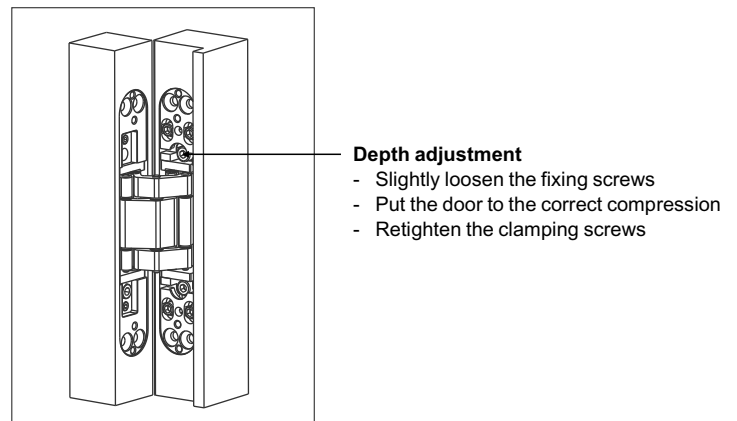
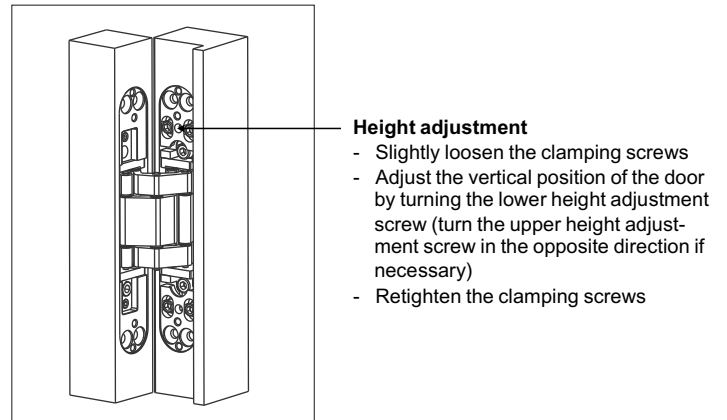
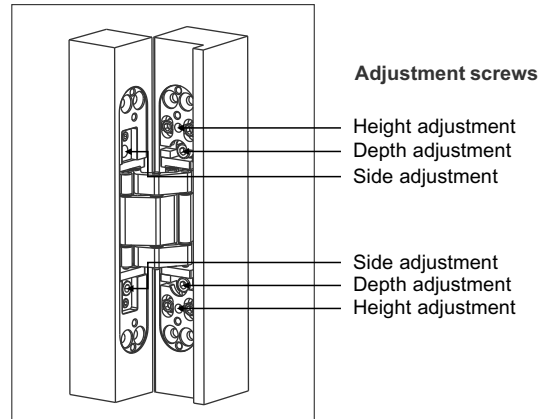
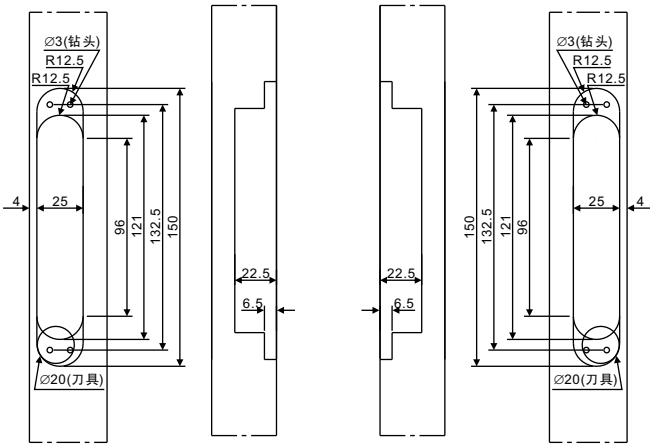
Screw the small cover plates
using the enclosed tapping
screws onto frame and door part.

Double-check the fastening of all clamping and fixing screws after
installation.

Infinitely variable 3D adjustment:
Side and height +/- 3 mm, depth +/- 1 mm
Adjustments made using a 4 mm Allen key

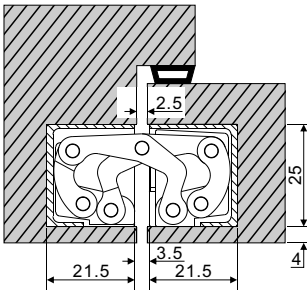
HY40KG-A

Concealed hinge system for unrebated interior doors



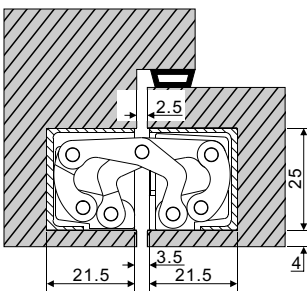
Installation situations of further frame types

Wooden casing frame



Screw the hinge using the enclosed M 5 screws. Depending on the frame design, use the small spacer plates.

Steel frame



The steel frame must be equipped with a receiver for fastening.

Aluminium frame: with the receiver of the frame manufacturer