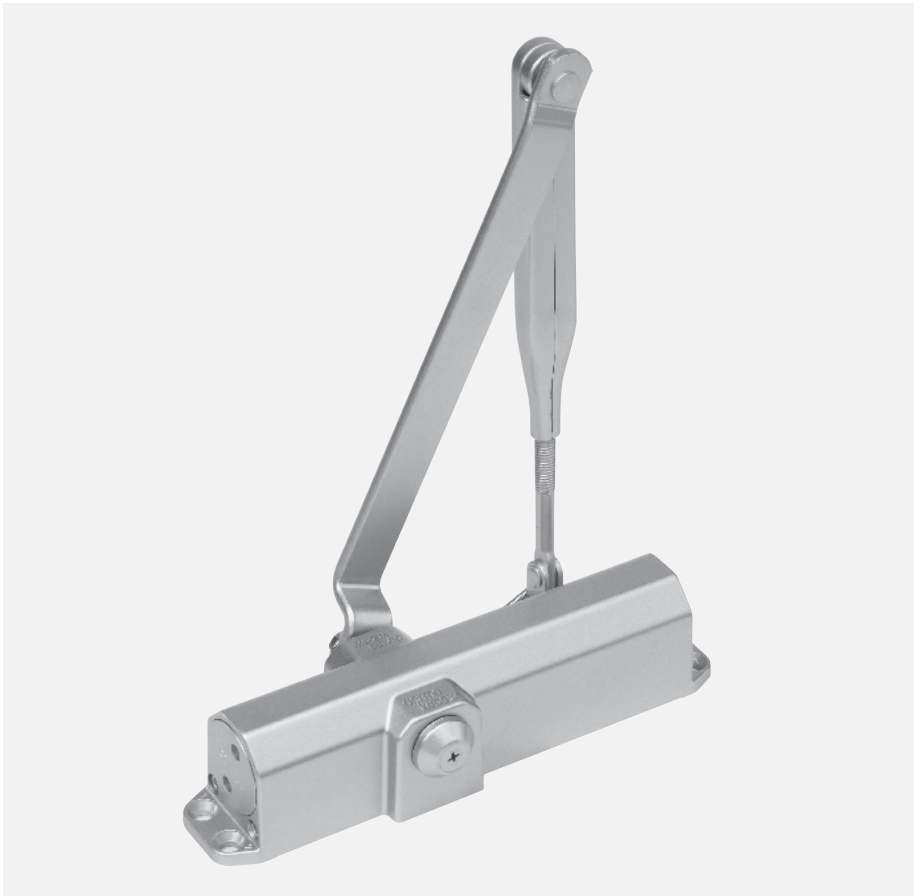


TS Kompakt

Proven quality at economic price



Key advantages

For Users

- Two valves for optimum closing speed
- Ideal solution for standard doors
- Just one model for all door sizes to simplify stocking
- Non-handed unit
- Quick and easy to install
- Fixes perfectly to all door types without the need for amounting backplate
- One model for all mounting positions

TS Kompakt is a door closer which can be universally used on all common door types and sizes.

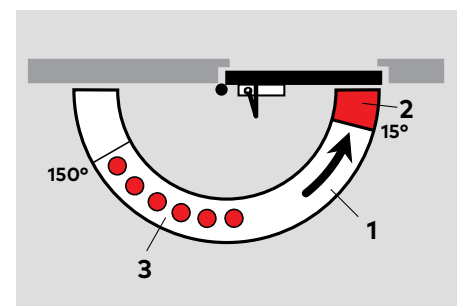
It is quick and easy to install – and does not require a mounting backplate.

Certified to ISO 9001

Technical data and Features

Adjustable closing force		EN 2/3/4
Standard doors ≤ 1100 mm		●
External doors, opening outwards		-
Non-handed		●
Arm	Standard	●
	Slide channel	-
Closing speed adjustable at 2 separate valves	80° - 15°	●
	15° - 0°	●
Backcheck		-
Delayed action		-
Dimensions in mm	Length	205.0
	Overall depth	46.5
	Height	40.0
Hold-open		-
Weight in kg		1.4
Door closer tested to UL 228 / UL 10C"		●
CE mark for construction products		●

Functions and options



1 Adjustable closing speed in the range 180 - 15°

2 Adjustable closing speed in the range 15° - 0°

3 Hold-open range with hold-open arm model (optional extra)

Standard equipment

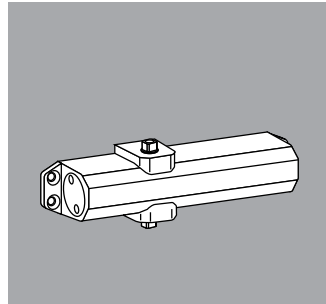
Color

Silver	01
White (RAL 9016)	11
Black (RAL 9005)	19

Order number:

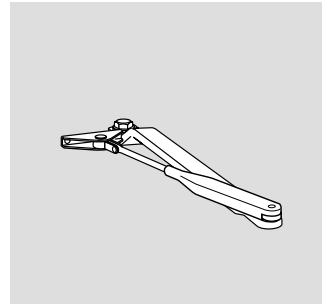
- □ - Closer with arm, complete
- # - Accessory

Door Closer – TS Kompakt



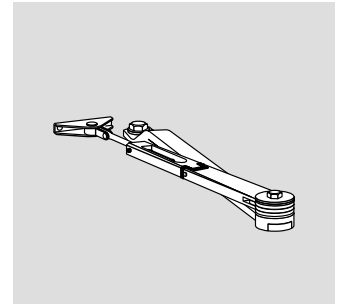
Size EN 2/3/4

Standard arm



■ □ 670101xx

Hold-open arm



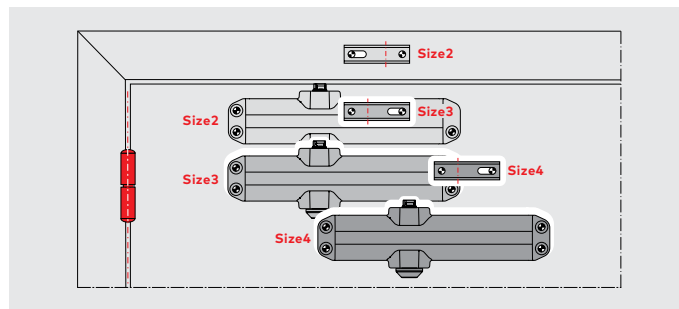
■ □ 670102xx

Applications and Fixing

Door width Size setting

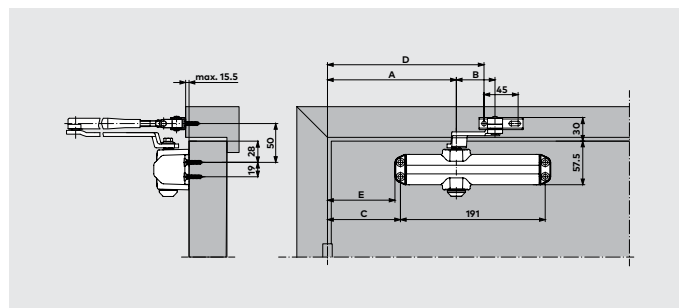
≤ 850	Size 2
≤ 950	Size 3
≤ 1100	Size 4

The TS Kompakt size setting is selected for the door width by moving the closer body and/or turning the arm power shoe.



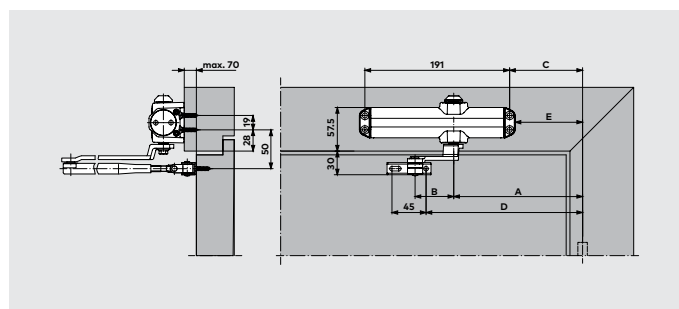
Door - leaf fixing, Pull side

	EN2	EN3	EN4
A	170.0	170.0	250.0
B	59.0	43.0	43.0
C	96.5	96.5	76.5
D	198.5	198.5	278.5
E	89.0	89.0	169.0



Door - leaf fixing, Pull side

	EN2	EN3	EN4
A	170.0	170.0	250.0
B	9.0	43.0	43.0
C	96.5	96.5	176.5
D	198.5	198.5	278.5
E	89.0	89.0	69.0



Rack and pinion door closer with selectable closing force, size EN 2, 3 and 4 and adjustable closing speed in two independent ranges.

Non-handed.

Available with:

- □ - Standard arm
- □ - Hold-open arm

Colors:

- □ - Silver
- □ - Brown
- □ - Black
(similar to RAL9005)
- □ - White
(similar to RAL9011)

Any questions? We would be happy to advise you.

Contact us on: +41 44 818 90 11