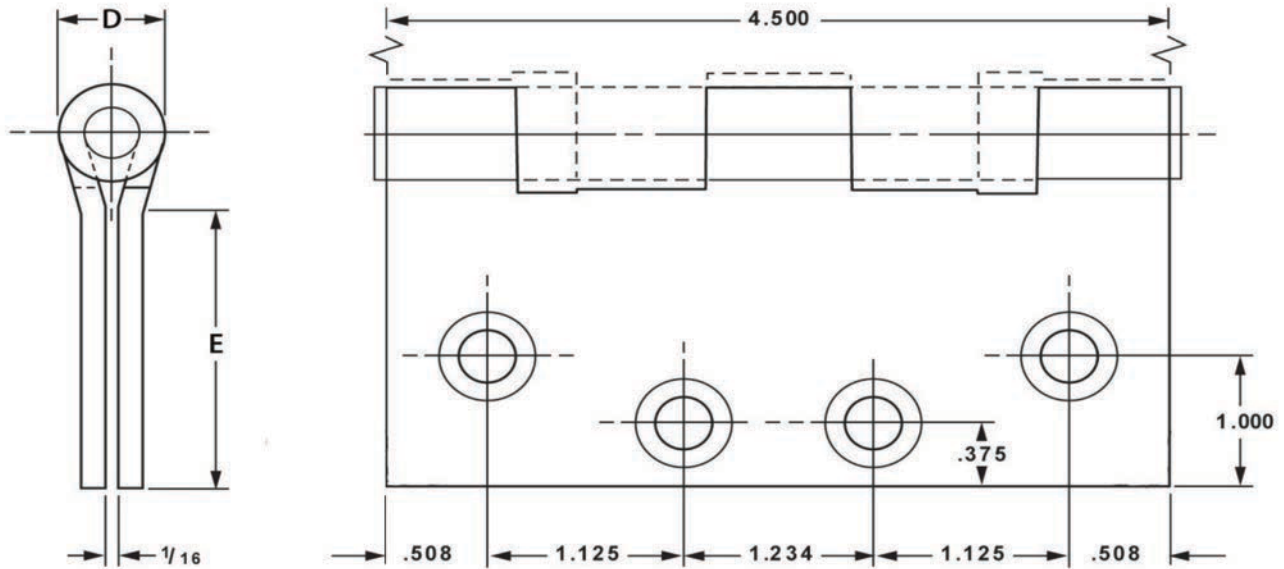


Full Mortise Template Butt Hinges - 4.5" x 4.5"



DO NOT SCALE

Template # : BB5-SW.45 / BB5-HW.45 / SH.45

Hinge Number	Gauge of Metal	(D) Outside Diameter	Distance From Edge of Leaf to Swage Line (E)
Type 5 - 4 1/2" x 4 1/2"	0.134	0.605	1 29/32
BB5 - 4 1/2" x 4 1/2"	0.134	0.625	1 25/32
Spring 4 1/2" x 4 1/2"	0.134	0.783	1 25/32
BB5-HW - 4 1/2" x 4 1/2"	0.180	0.698	1 23/32

Machine Screw Size - 1/2" x 12-24 F.H.
Wood Screw Size - 1 1/4" x No. 12 F.H.

This template conforms with ANSI standard A156.7

Not to scale 1:1. Measurements are for reference only. Not a drilling template.

Always consult dormakaba's website for the latest instructions at designhardware.net or call 1-800-392-5209.

Design Hardware is a trademark of dormakaba USA Inc. ©2021 All rights reserved.

T93285_A