

## 9 Series Illuminated Pushbuttons

*In or Out... we make it Easy!*



### Instruction

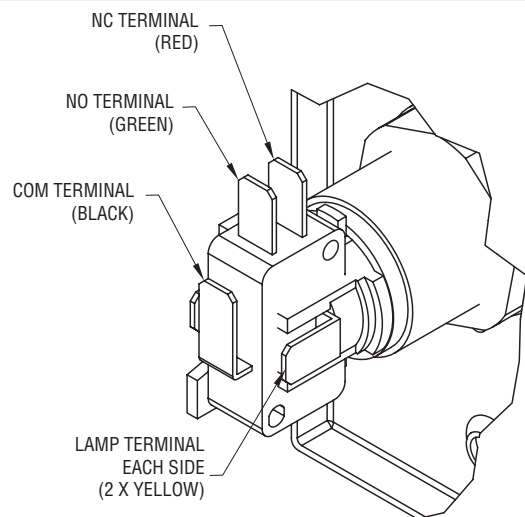
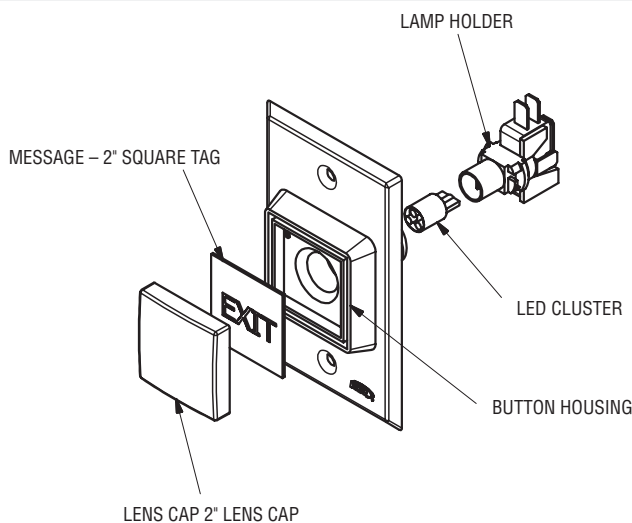
A 2-1/4" (57mm) deep back box is required. Match your message color with lens cap color and snap into the housing. Slide connectors onto the terminals as shown.

To change the LED voltage, slightly turn the white lamp holder in a counterclockwise direction to release from the black housing and pull it out. Change LED cluster as desired and re-turn the lamp holder back into place.

Connect appropriate 12 or 24 VDC supply voltage to the LED terminals on each side of the switch. Remember that the LED (+) positive and (-) negative terminal is determined by the lamp position in the base. If bulb does not light, reverse position of leads.

To change the message tag, remove the lamp holder as described above and then pinch the white tabs to release the lens cap. Be careful not to lose the spring. Insert your thumbnail between the corner of the lens cap and white extension and then slide it along the edge to separate the cap. Tap the cap to remove the message tag.

**NOTE: Overheated / melted components caused by incorrect input voltage not be covered under warranty.**



### Power Requirements

Bulb	Voltage	Current Draw
LED	12VDC	20mA
LED	24VDC	10mA

### Switch Rating

Cycle Rating: 10,000  
Contacts Rated 16 amps @ 125VAC