

INSTALLATION

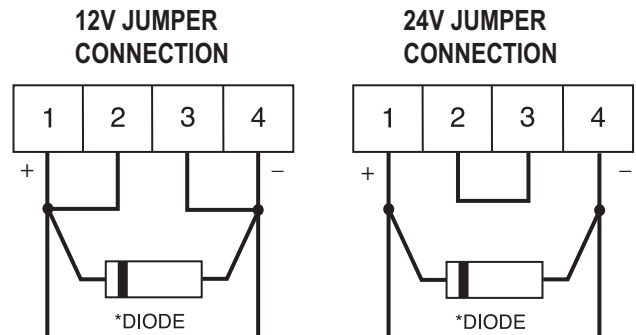
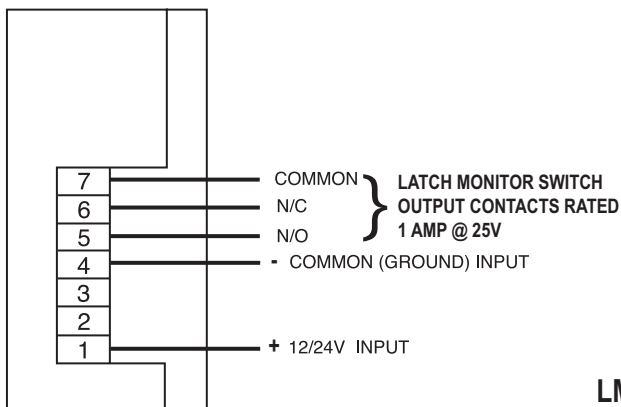
RCI 3510LM

CABINET LOCK WITH LATCH MONITOR ELECTRIC LOCK FOR SMALL ENCLOSURES

WIRING INSTRUCTIONS

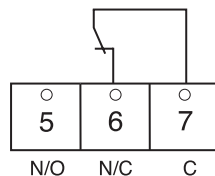
NOTE: This lock requires some sort of external control.

- Connecting wire must be of sufficient gauge to prevent line loss.
The 3510LM Cabinet Lock operates on either 12 or 24 VAC/DC
For 12 volt operation: connect a wire jumper from terminal 1 to 2 and also from terminal 3 to 4.
For 24 volt operation: connect one wire jumper from terminal 2 to 3.
- With voltage jumpers installed, connect the positive (+) lead from the power supply to terminal 1.
Connect the negative(-) lead from the power supply to terminal 4.
For DC voltage, the supplied diode must be connected across terminals 1 and 4.
For AC voltage, terminal 1 and 4 connections are not polarity conscious. The diode is not required.
- The latch monitor feature indicates whether the door is closed/locked or open/unlocked.
The monitor switch contacts are rated 1 Amp @ 25V maximum.
Connect terminals 5 or 6 and 7 to suit N/O or N/C monitor requirements.

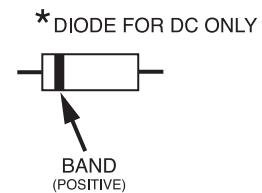


LM FEATURE

N/O = Normally Open
N/C = Normally Closed
C = Common



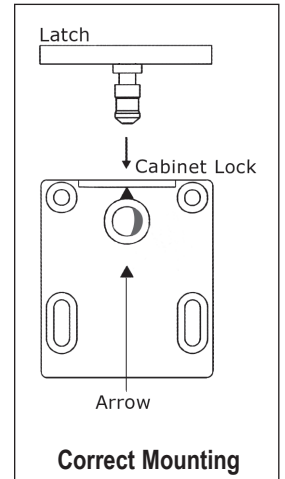
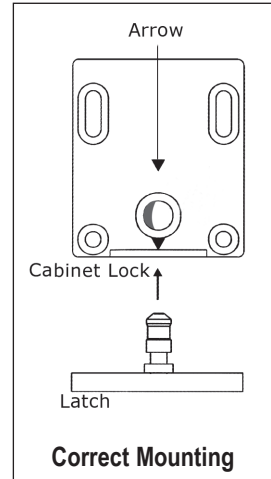
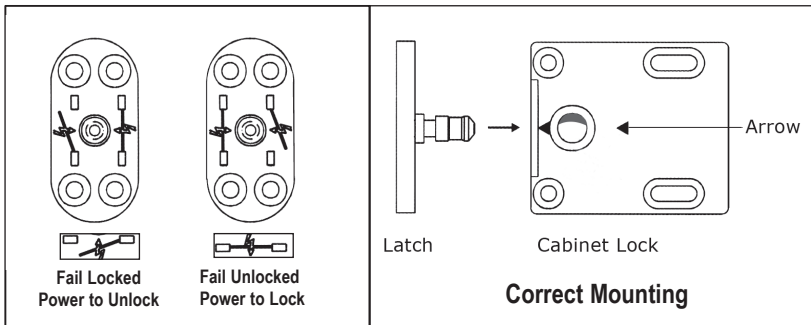
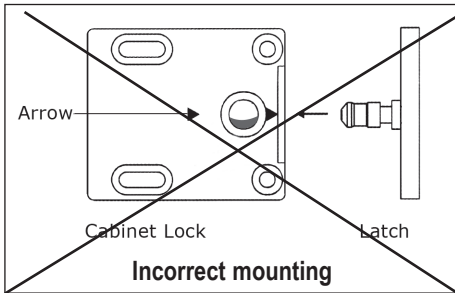
Contact position shows 'door open'



Operating Voltage	12VDC	12VAC	24VDC	24VAC
Amps	0.25A	0.25A	0.12A	0.12A

MOUNTING INSTRUCTIONS

- Two symbols are located on the latch that define fail locked or fail unlocked.
To set lock mode, align the latch symbol with the arrow on the lock.
Make sure to use the fail unlocked position for initial mounting and alignment.
Without power, the fail locked mode cannot open.



- Using the cut-out template, mount the locking unit to the fixed portion of the cabinet or drawer with the four #6 x 1-1/4" PH SMS screws.
Typical installations are shown below.
The locking unit and latch must be aligned as shown.

- Peel the yellow side of the adhesive tape and apply to the back of the latch.
Engage latch into the mounted locking unit **in the fail unlocked position**.
Peel white side of adhesive tape.
Close and open cabinet door or drawer.
The latch will be attached in the correct location.
For **fail unlocked**, simply secure the latch with the four #6 x 1/2" PH SMS screws.
For **fail locked** turn the latch 180° and secure.

