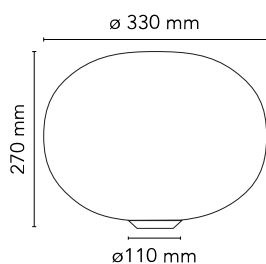


## Glo-Ball Basic 1

■ F3021000 - White

Designed by Jasper Morrison

Table/desk lamp providing diffused light. Diffuser consisting of an externally acid etched, hand blown, flashed opaline glass and a die-cast aluminum threaded ring nut with alodine plating finish. 30% fiberglass reinforced injection-molded polyamide base. Gray painted, die-cast aluminum diffuser support. On the cable there is the electronic dimmer which allows the regulation of light brightness.

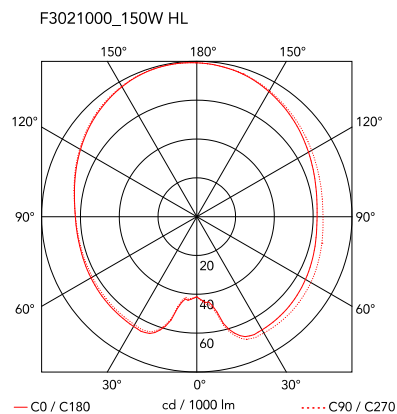


### Main specifications

<b>Mounting</b>	Table	<b>Iicos</b>	HSGS
<b>Environment</b>	Indoor dry location	<b>Autoprotected Lamp</b>	Yes
<b>Light source type</b>	Bulb	<b>Number of heads</b>	1
<b>Lamp category</b>	Halogen	<b>Source Power (W)</b>	150
<b>Lamp holder</b>	E27		

### Optical

<b>Lighting Type</b>	Total
<b>Lighting distribution</b>	Symmetric
<b>Cold Beam Lighting</b>	No
<b>Extreme Cut off</b>	No



### Electrical

<b>Insulation class</b>	II	<b>Plug Type</b>	Type C
<b>Frequency (Hz)</b>	50/60	<b>Charging Min Time</b>	No
<b>Main Voltage (Vac)</b>	220-240		
<b>Batteries Inside</b>	No		
<b>Cord length (mm)</b>	1900		

### Physical

<b>Colour</b>	White
<b>Net weight (kg)</b>	2.61
<b>Gross weight (kg)</b>	5.76
<b>IP</b>	20
<b>IP external</b>	20