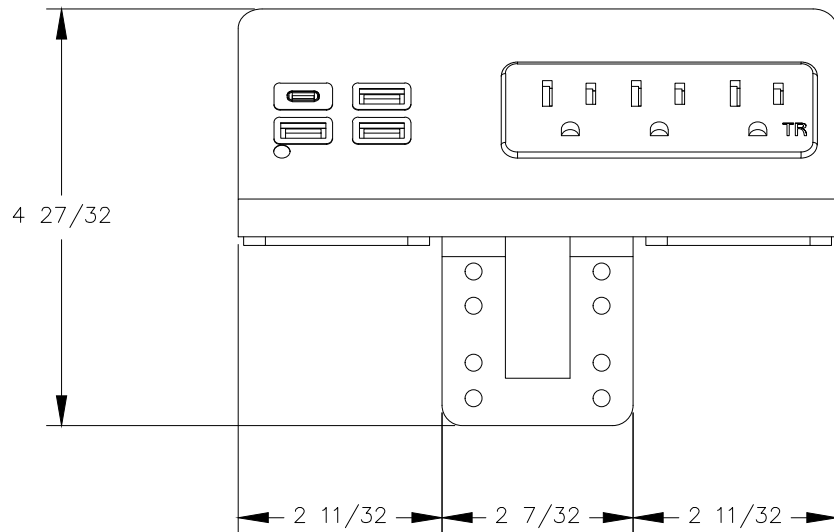
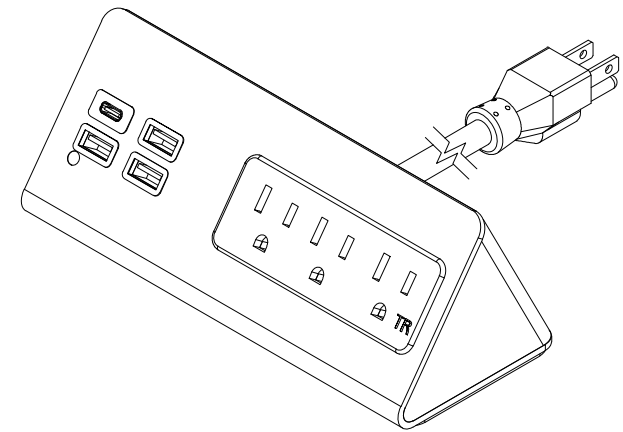


TOP VIEW

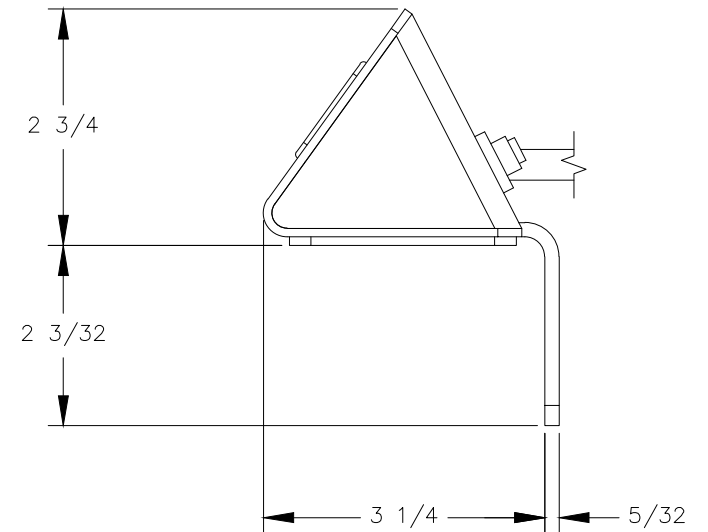


FRONT VIEW



NOTE:

1. 4 ft. cord length.
2. USB-A and USB-C ports are for charging use only.
3. Table thickness is 3/4 MIN.
4. Circuit breaker reset is located on the back of the unit.



SIDE VIEW