

KK-EC-BK-C & KK-EC-WH-C INSTALLATION GUIDELINE



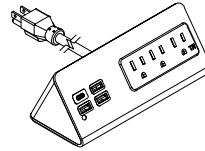
WARNING

- For indoor use only.
- For use on a normally dry work surface.
- If any malfunction occurs, do not attempt to disassemble or repair.
- Avoid placing the charger in a high temperature environment or near fire.

SPECIFICATIONS

- 4 ft. cord length.
- USB-A and USB-C ports are for charging use only.
- Table thickness is 3/4" MIN.
- Circuit breaker reset is located on the back of the unit.

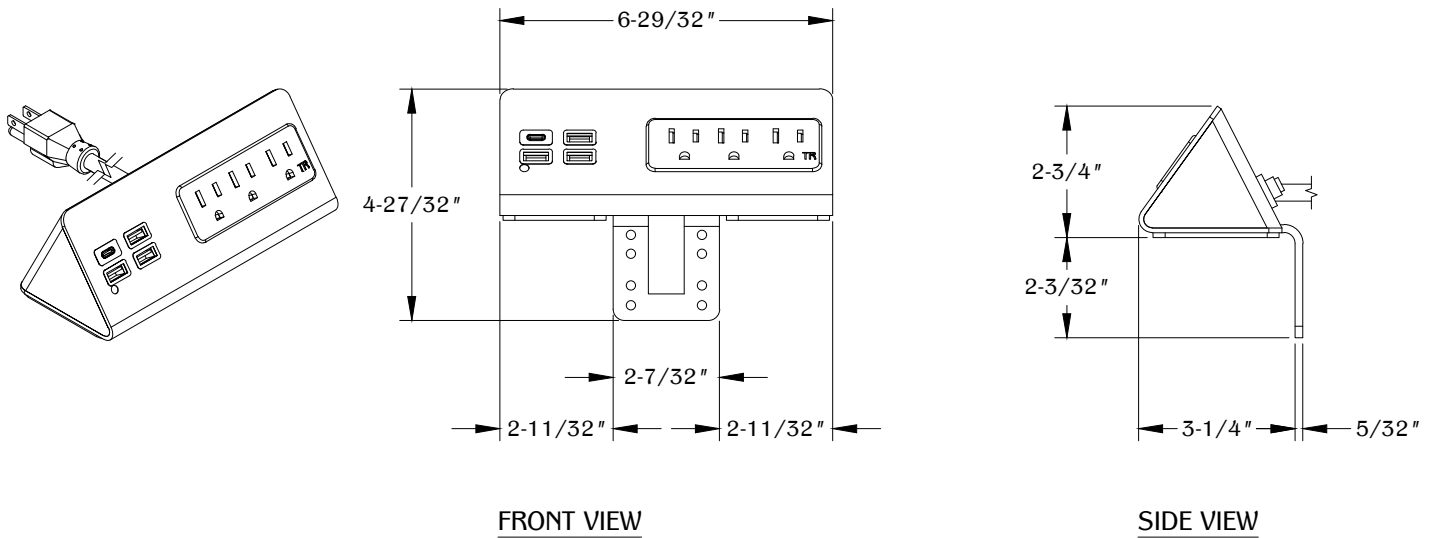
TABLE OF CONTENTS



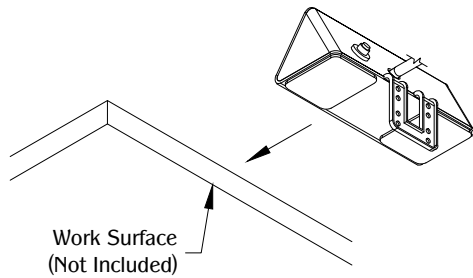
..... 1X PCS93/UC



..... 4X 23/32" No. 6 Self Drilling Truss Screw

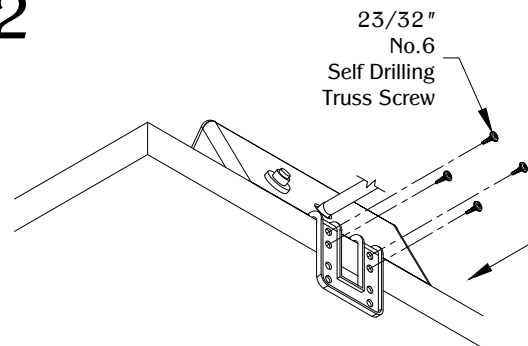


1



Determine the position and location of the PCS93/UC on the edge of the work surface. DO NOT place the unit where the cable is strained or trapped.

2



Secure the unit on the edge of the work surface by using (4) 23/32" No. 6 self drilling truss screws. Plug into nearby outlet and unit is now ready to use.