

Heavy-Duty Cast Aluminum Standard-Depth Transmission Pan

- 850RE Transmission

(228153500, 228153510, 228153520)

Installation Guide



DISCLAIMER OF LIABILITY

Performance products can increase horsepower above and beyond factory specifications. Additional horsepower creates more stress on the drive-train components, which could result in drive-train failure.

Note regarding emissions-related, non-E.O.-legal products: THESE PRODUCTS ARE LEGAL IN CALIFORNIA ONLY FOR RACING VEHICLES THAT MAY NEVER BE USED, OR REGISTERED OR LICENSED FOR HIGHWAY OR OFF-ROAD USE.

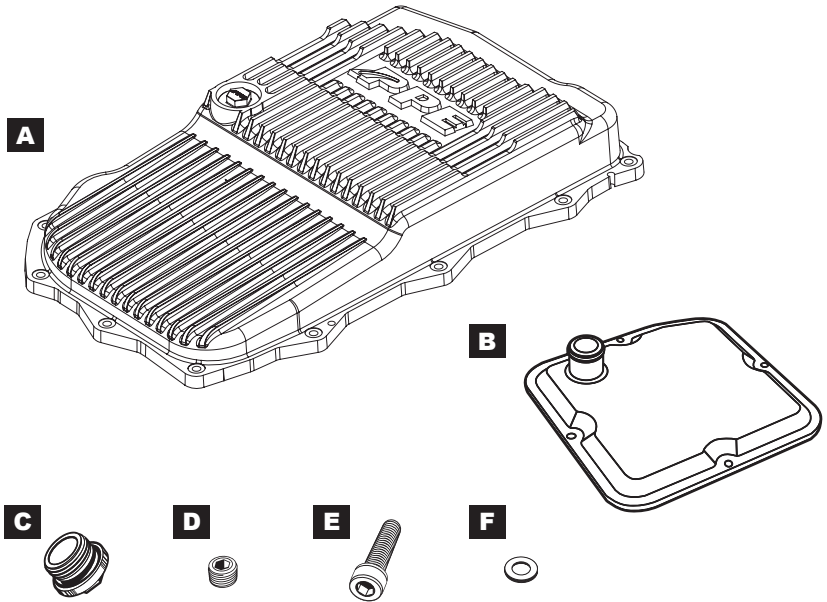
This agreement sets forth the terms and conditions for the use of PPE products. The installation of this product indicates that the Buyer has read and understands this agreement and accepts the terms and conditions. PPE (Pacific Performance Engineering) Inc., its distributors, employees, and dealers (the "Seller") shall not be responsible for the product's proper use and service. The buyer hereby waives all liability claims. The Buyer hereby acknowledges no reliance on the Seller's skill or judgment to select or furnish goods suitable for any particular purpose and that there are no liabilities which extend beyond the description on the face hereof, and the Buyer hereby waives all remedies or liabilities expressed or implied, arising by law or otherwise (including without any obligation of the Seller with respect to fitness, merchantability and consequential damages), or whether or not occasioned by the Seller's negligence. The Seller disclaims any warranty and expressly disclaims any liability for personal injury or damages. The Buyer acknowledges and agrees that the disclaimer of any liability for personal injury is a material term for this agreement and the Buyer agrees to indemnify the Seller and to hold the Seller harmless from any claim related to the item of equipment purchased. Under no circumstances will the Seller be liable for any damages or expenses by reason of use or sale of any such equipment. The Seller assumes no liability regarding the improper installation or misapplication of its products. It is the installer's responsibility to check for proper installation and if in doubt, contact the manufacturer. The Buyer is solely responsible for all warranty issues from the manufacturer.

LIMITATION OF WARRANTY

The Seller gives Limited Warranty as to description, quality, merchantability, and fitness for a particular purpose, productiveness, or any other matter of Seller's product sold herewith. The Seller shall not be responsible for the products proper use and service and the Buyer hereby waives all rights other than those expressly written herein. This warranty shall not be extended, altered or varied except by a written instrument signed by Seller and Buyer.

Limited lifetime warranty on all PPE cast aluminum products, and PPE Transmission Coolers. Three (3) year limited warranty on PPE Manifolds and Up-Pipes Kits, and OEM-Length Up-Pipes. One (1) year limited warranty on all other PPE products from the date of sale to original buyer and limited solely to the parts contained within the products kit. All products that are in question of Warranty must be returned prepaid to the Seller and must be accompanied by a dated proof of purchase receipt. All Warranty claims are subject to approval by Seller. Under no circumstances will the Seller be liable for any labor charged or travel time incurred in diagnosis for defects, removal, or re-installation - of this product or any other contingent expenses. Under no circumstances will the Seller be liable for any damage or expenses incurred by reason of the use or sale of any such equipment. In the event that the buyer does not agree with this agreement: the buyer may promptly return this product, in a new and unused condition in its original packaging, with a dated proof of purchase to the place of purchase within ten (10) days from date of purchase for a full refund. The installation of this product indicates that the buyer has read and understands this agreement and accepts its terms and conditions.

Heavy-Duty Cast Aluminum Transmission Pan



CONTENTS:

- A** (1) Heavy-Duty Cast Aluminum Transmission Pan
- B** (1) Removable, replaceable filter 228058700 (installed)
- C** (1) Neodymium magnet-equipped drain plug (installed)
- D** (1) 1/8" NPT plug (installed)
- E** (13) M6 x 1 x 35mm socket head cap screws
- F** (13) M6 flat washers

INSTALLATION:

1. *Spray penetrating fluid on exhaust clamp bolts for easier removal.*
2. *Remove crossmember. (Fig.1)*



Fig.1

3. *Disconnect exhaust clamps and pivot exhaust to allow space to remove stock pan. (Fig.2)*



Fig.2

4. *Position a large drain pan under stock pan. Carefully loosen stock screws, leaving two at the front of the stock pan. This will allow the stock pan to tilt downward and partially drain fluid. Remove remaining screws to allow most of the fluid to drain. (Fig.3)*

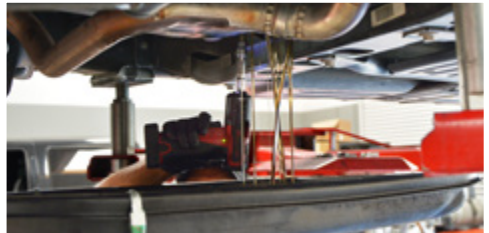


Fig.3

5. *Carefully remove stock pan, making sure to keep it level to prevent fluid spill. Move stock pan forward to clear the exhaust. Pour out remaining fluid from stock pan. (Fig.4)*



Fig.4

Heavy-Duty Cast Aluminum Transmission Pan

6. Clean transmission housing mating surface.

Remove and retain stock gasket. Thoroughly clean.

Install stock gasket on PPE Transmission Pan flange. **(Fig.5)**



Fig.5

7. Check and tighten PPE Replaceable Filter if necessary. Check and tighten NPT port plug and PPE Drain Plug if necessary.

8. With stock gasket in position, angle PPE Pan up and over the exhaust and in position on the housing. **(Fig.6)** Install two screw and washer assemblies (E, F) on each side of the Pan to hold in place. Finger tight for now.



Fig.6

9. Install the remaining screw and washer assemblies. Tighten in a crossing pattern as shown. **(Fig.7)**

Final torque to 8-10 ft lbs.

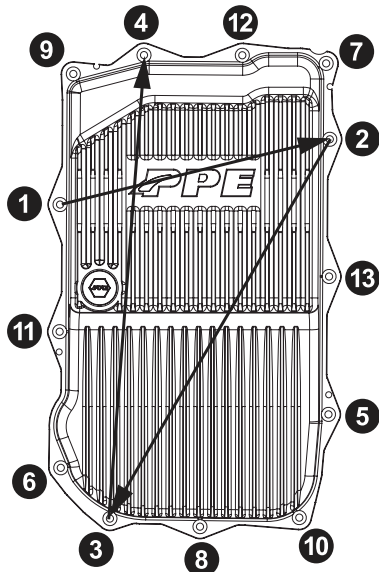


Fig.7

10. Apply anti-seize coating to the threads of the removed exhaust hardware.

Reconnect exhaust and reinstall exhaust hardware.
(Fig.8)

Tighten to secure.



Fig.8

11. Reinstall crossmember.
Tighten bolts to secure.
(Fig.9)



Fig.2

FLUID FILL/CHECK PROCEDURE:

1. Remove fill plug located on the passenger side above the PPE Pan. Fill with manufacturer recommended fluid until it drips out of the fill hole. Reinstall fill plug.
2. With vehicle secure and parking brake applied, start engine. Apply foot brake. Place vehicle in Neutral, Reverse, Drive and back to Park. Shut vehicle off.
3. Remove fill plug to check fluid level. Fill with manufacturer recommended fluid until it drips out of the fill hole. Reinstall fill plug. Repeat fill procedure until fluid is level with fill hole.

Installation complete.

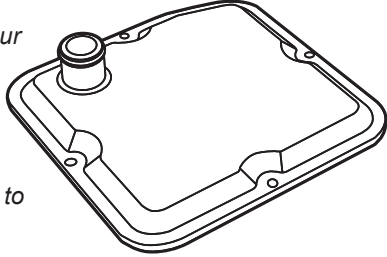


Fig.5

EASIER FLUID AND FILTER CHANGES

Congratulations on upgrading your transmission's performance and making fluid servicing easier.

Your PPE Pan is equipped with an advanced filter which can be easily be replaced when it's time to service.



The Neodymium-equipped Drain Plug allows for simple fluid drain without those messy trans fluid showers the stock pan can give you.

When it's time for your next trans service the PPE Replaceable Filter 228058700 is available at PPEpower.com or through any of our Authorized Dealers.

Thank you for upgrading with PPE.



PPEpower.com