

Digital to Analog V8 Tachometer Driver

2001-2007 GM 6.6L Duramax
(112030000)

Installation Guide

DISCLAIMER OF LIABILITY

Performance products can increase horsepower above and beyond factory specifications. Additional horsepower creates more stress on the drive-train components, which could result in drive-train failure.

Note regarding emissions-related, non-E.O.-legal products: THESE PRODUCTS ARE LEGAL IN CALIFORNIA ONLY FOR RACING VEHICLES THAT MAY NEVER BE USED, OR REGISTERED OR LICENSED FOR HIGHWAY OR OFF-ROAD USE.

This agreement sets forth the terms and conditions for the use of PPE products. The installation of this product indicates that the Buyer has read and understands this agreement and accepts the terms and conditions. PPE (Pacific Performance Engineering) Inc., its distributors, employees, and dealers (the "Seller") shall not be responsible for the product's proper use and service. The buyer hereby waives all liability claims. The Buyer hereby acknowledges no reliance on the Seller's skill or judgment to select or furnish goods suitable for any particular purpose and that there are no liabilities which extend beyond the description on the face hereof, and the Buyer hereby waives all remedies or liabilities expressed or implied, arising by law or otherwise (including without any obligation of the Seller with respect to fitness, merchantability and consequential damages), or whether or not occasioned by the Seller's negligence. The Seller disclaims any warranty and expressly disclaims any liability for personal injury or damages. The Buyer acknowledges and agrees that the disclaimer of any liability for personal injury is a material term for this agreement and the Buyer agrees to indemnify the Seller and to hold the Seller harmless from any claim related to the item of equipment purchased. Under no circumstances will the Seller be liable for any damages or expenses by reason of use or sale of any such equipment. The Seller assumes no liability regarding the improper installation or misapplication of its products. It is the installer's responsibility to check for proper installation and if in doubt, contact the manufacturer. The Buyer is solely responsible for all warranty issues from the manufacturer.

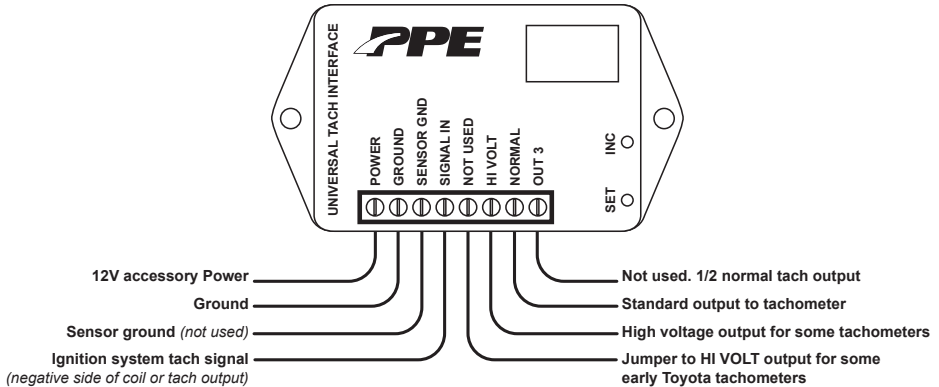
LIMITATION OF WARRANTY

The Seller gives Limited Warranty as to description, quality, merchantability, and fitness for a particular purpose, productiveness, or any other matter of Seller's product sold herewith. The Seller shall not be responsible for the products proper use and service and the Buyer hereby waives all rights other than those expressly written herein. This warranty shall not be extended, altered or varied except by a written instrument signed by Seller and Buyer. The Warranty on PPE Manifolds and Up-Pipes Kits, OEM-Length Up-Pipes is three (3) years, a limited lifetime warranty on PPE cast aluminum pans and covers, and a limited lifetime warranty on PPE Transmission Coolers and one (1) year limited warranty on all other PPE products from the date of sale to original buyer and limited solely to the parts contained within the products kit. All products that are in question of Warranty must be returned prepaid to the Seller and must be accompanied by a dated proof of purchase receipt. All Warranty claims are subject to approval by Seller. Under no circumstances will the Seller be liable for any labor charged or travel time incurred in diagnosis for defects, removal, or re-installation - of this product or any other contingent expenses. Under no circumstances will the Seller be liable for any damage or expenses incurred by reason of the use or sale of any such equipment. In the event that the buyer does not agree with this agreement: the buyer may promptly return this product, in a new and unused condition in its original packaging, with a dated proof of purchase to the place of purchase within ten (10) days from date of purchase for a full refund. The installation of this product indicates that the buyer has read and understands this agreement and accepts its terms and conditions.



This unit can recalibrate an ignition system tachometer signal. Adjustment is done by setting the cylinder count for the incoming engine signal (1-16) and the cylinder count for the outgoing gauge signal (1-16). Fine adjustment can also be done to make corrections to the gauge needle reading.

** If the NORMAL output does not drive your tachometer, use HI VOLT.*



Setup

OUT: Set output (gauge) cylinder count. 1 – 16 allowed.

(Fine cal is set to 1.00)

A 2000 RPM signal will be generated reflecting the current cylinder count for gauge testing.

IN: Change input (engine) cylinder count. 1 – 16 allowed.

(Fine cal is set to 1.00)

519: change between 5V low voltage “LO” and 12V normal “HI” signal types.

1. Begin with the key off.
2. Press and hold the SET switch while turning the key on. The display will show the current version code.
3. Release the SET switch. The display will show “IN”.
4. Press and release the INC switch until the desired setup option is displayed: IN, OUT, 5 19, END
5. Press and release the SET switch to select the setup option.
6. Press and release the INC switch to change the setting. Press and release the SET switch to save it.

Setup example:

If you have a factory 6 cylinder tachometer and are now using an 8 cylinder engine, set the engine cylinder count “IN” to 8 and the gauge cylinder count “OUT” to 6.

Diagnostic Testing

The basic power up and operation can be verified with the display on the SGI-8E. The dot in the upper left corner will be on steady when the unit is powered up and not getting a tachometer signal. The dot will be flashing when a tachometer signal is present. When the key is first turned on, the display will show the current fine adjust CAL value for a few seconds. If both switches are pressed at the same time the current, incoming speed signal frequency will be displayed. If the frequency displayed has a decimal point, then the reading is kHz, otherwise the reading is Hz.

Both the input and outputs can be tested with special diagnostic modes.

To test the outputs and tachometer reading with the engine off:

1. Begin with the key off.
2. Press and hold the SET switch while turning the key on. The display will show the current version code.
3. Release the SET switch. The display will show "IN".
4. Press and release the INC switch until "OUT" is shown.
5. Press and release the SET switch. The display will show the current gauge cylinder setting and be supplying a 2000 RPM signal.
6. Press and release the INC switch until the gauge reading is close to 2000 RPM. Press and release the SET switch to quit.

To test the input while driving:

1. Begin with the key off.
2. Press and hold the INC switch while turning the key on. The display will show "TST".
3. Release the SET switch. The display will show "---".
4. Anytime either switch is pressed the display will update and hold the frequency. This can be done to determine the type of signal being fed to the SGI-8. This information can be supplied to tech support to assist in setup and configuration of the unit.
5. The unit will remain in this mode until the key is turned off.



Trouble Shooting Guide

Problem	Possible cause	Solution
<i>Tachometer will not work. No lights on display.</i>	<i>No power to SGI-8</i>	<i>Check the power and ground terminals on the SGI-8. Should be 11-15 V dc.</i>
<i>Tachometer will not work. Dot on steady.</i>	<i>No input signal.</i> <i>SGI-8 set for wrong input type.</i> <i>OEM filter circuit between SGI-8 and gauge.</i>	<i>Test for 1-20 volts AC at the signal in terminal with the engine running.</i> <i>Change the Setup -519 option. See instructions on first page.</i> <i>Make sure SGI-8 connects directly to the gauge</i>
<i>Tachometer will not work. Dot is flashing.</i>	<i>Wrong output type</i> <i>High voltage boost required.</i>	<i>Try switching from NORMAL to HI VOLT</i> <i>Use HI VOLT to drive gauge and jumper NOT USED terminal over to HI VOLT</i>
<i>Tachometer will not read at high rpm.</i>	<i>SGI-8 set for wrong input type</i>	<i>Change the Setup - 519 option. See instructions on first page</i>
<i>Tachometer is reading incorrectly</i>	<i>Engine or gauge setting incorrect.</i> <i>Engine or gauge setting incorrect. Gauge requires fine adjust.</i>	<i>Change the Setup In or Out values. See instructions on first page.</i> <i>Use the "+" or "-" buttons to correct the gauge reading</i>

DISCLAIMER OF LIABILITY

Performance products can increase horsepower above and beyond factory specifications. Additional horsepower creates more stress on the drive-train components, which could result in drive-train failure.

Note regarding emissions-related, non-E.O.-legal products: THESE PRODUCTS ARE LEGAL IN CALIFORNIA ONLY FOR RACING VEHICLES THAT MAY NEVER BE USED, OR REGISTERED OR LICENSED FOR HIGHWAY OR OFF-ROAD USE.

This agreement sets forth the terms and conditions for the use of PPE products. The installation of this product indicates that the Buyer has read and understands this agreement and accepts the terms and conditions. PPE (Pacific Performance Engineering) Inc., its distributors, employees, and dealers (the "Seller") shall not be responsible for the product's proper use and service. The buyer hereby waives all liability claims. The Buyer hereby acknowledges no reliance on the Seller's skill or judgment to select or furnish goods suitable for any particular purpose and that there are no liabilities which extend beyond the description on the face hereof, and the Buyer hereby waives all remedies or liabilities expressed or implied, arising by law or otherwise (including without any obligation of the Seller with respect to fitness, merchantability and consequential damages), or whether or not occasioned by the Seller's negligence. The Seller disclaims any warranty and expressly disclaims any liability for personal injury or damages. The Buyer acknowledges and agrees that the disclaimer of any liability for personal injury is a material term for this agreement and the Buyer agrees to indemnify the Seller and to hold the Seller harmless from any claim related to the item of equipment purchased. Under no circumstances will the Seller be liable for any damages or expenses by reason of use or sale of any such equipment. The Seller assumes no liability regarding the improper installation or misapplication of its products. It is the installer's responsibility to check for proper installation and if in doubt, contact the manufacturer. The Buyer is solely responsible for all warranty issues from the manufacturer.

LIMITATION OF WARRANTY

The Seller gives Limited Warranty as to description, quality, merchantability, and fitness for a particular purpose, productiveness, or any other matter of Seller's product sold herewith. The Seller shall not be responsible for the products proper use and service and the Buyer hereby waives all rights other than those expressly written herein. This warranty shall not be extended, altered or varied except by a written instrument signed by Seller and Buyer.

Limited lifetime warranty on all PPE cast aluminum products, and PPE Transmission Coolers. Three (3) year limited warranty on PPE Manifolds and Up-Pipes Kits, and OEM-Length Up-Pipes. One (1) year limited warranty on all other PPE products from the date of sale to original buyer and limited solely to the parts contained within the products kit. All products that are in question of Warranty must be returned prepaid to the Seller and must be accompanied by a dated proof of purchase receipt. All Warranty claims are subject to approval by Seller. Under no circumstances will the Seller be liable for any labor charged or travel time incurred in diagnosis for defects, removal, or re-installation - of this product or any other contingent expenses. Under no circumstances will the Seller be liable for any damage or expenses incurred by reason of the use or sale of any such equipment. In the event that the buyer does not agree with this agreement: the buyer may promptly return this product, in a new and unused condition in its original packaging, with a dated proof of purchase to the place of purchase within ten (10) days from date of purchase for a full refund. The installation of this product indicates that the buyer has read and understands this agreement and accepts its terms and conditions.



PPEpower.com