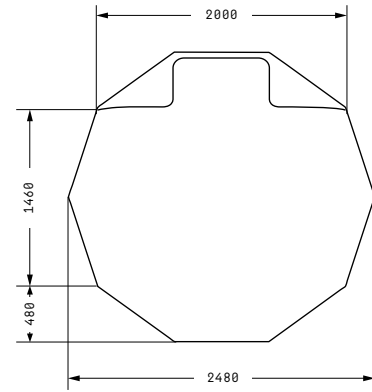
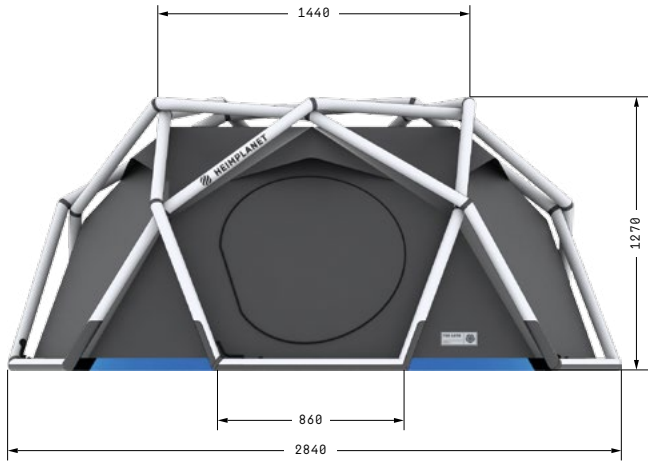


THE CAVE FACTSHEET

ALL DIMENSIONS IN MM



SIZE

2-3-PERSON TENT
 GROUND AREA: 5 SQM
 [54 SQFT]
 OVERALL HEIGHT: 127 CM
 [50 INCH]
 HEIGHT OF INNER TENT:
 102 CM [40 INCH]
 PACK SIZE: 40 X 32 X 23 CM
 [16 X 13 X 9 INCH]

COLORS

LIGHT GREY
 DARK GREY
 OCEAN BLUE

WEIGHT

4.8 KG [10.60 LBS]

INCLUDED

PEGS, REPAIR KIT, GUY
 LINES, PACK SACK, GEAR
 LOFT

MATERIAL

AIRFRAME: RECYCLABLE MATERIAL
 OUTER LAYER: EXTRA STIFF AND RESISTANT
 POLYESTER
 INNER LAYER: FLEXIBLE THERMOPLASTIC
 POLYURETHANE
 FLY SHEET: 100% POLYESTER 66D¹ 210T²
 RIPSTOP, PU 5.000 MM
 INNER TENT: 100% NYLON 40D¹ 240T² RIPSTOP,
 BREATHABLE
 GROUND SHEET: 100% NYLON TAFETTA 70D¹ 210T²,
 PU³ 5.000 MM⁴

FEATURES

Intuitive and extremely fast pitching (roll out, inflate, finished).
 Simultaneous erection of air frame, inner tent and flysheet.
 One-Pump System allows complete erection with only one inflation procedure.
 Stable and robust air frame with geodesic structure.
 Multi Chamber Safety System allows separation of the air frame in five independent air chambers – for emergency stability in case of defect of one or even two chambers.

Five closable ventilation openings at the fly sheet.
 Vestibule at the entrance area.
 Double-layer air struts.
 Round ground area offers enough space for three persons to sleep, plus baggage, or up to five persons to sit together.
 Light and well-ventilated inner tent with no-see-um mesh and lots of storage space integrated into the side walls.
 Entrance of the inner tent can be opened variably by two-way zipper and be used as additional ventilation.

1: 40D, 66D OR 70D DEFINES THE DENIER (STRENGTH OF THE THREAD). / 2: 210T AND 240T DEFINES THE THREAD DENSITY OF THE MATERIAL. / 3: PU IS A LAMINATION (POLYURETHANE). / 4: 5,000 MM DISPLAYS THE WATER COLUMN, AND DEFINES THE WATERPROOFNESS.