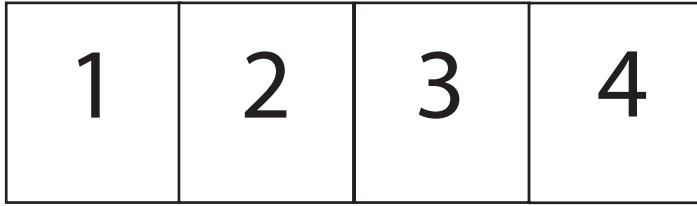
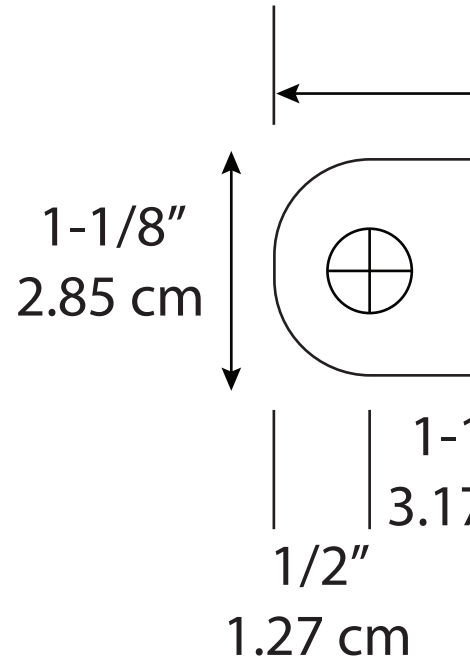


Print at 100%,
Four 8-1/2 x 11 Pages
Line Up End to End in this
Order for Pattern



May have white areas between pages just
continue line work with pencil or pen,
do not overlap



1

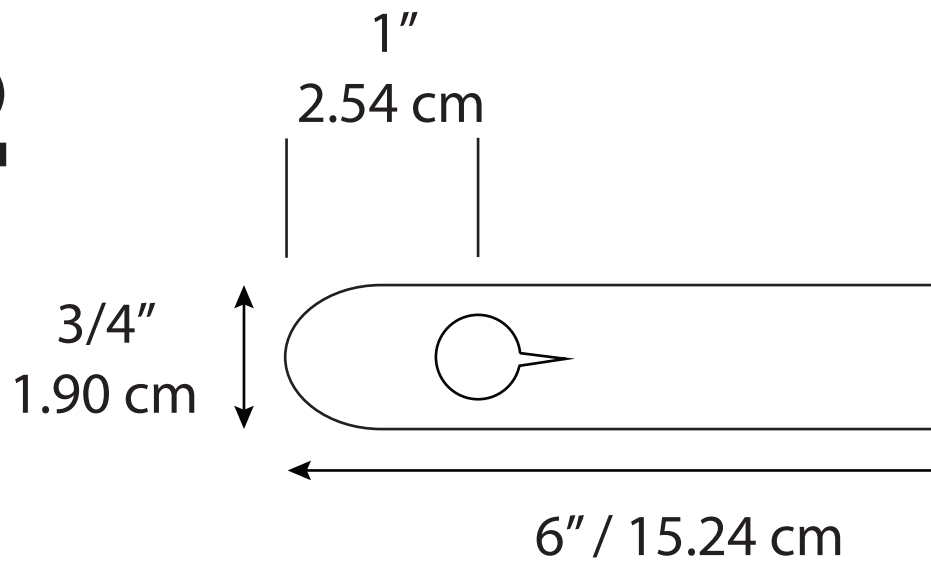
HANDLE X2

3" / 7.62 cm



1/4"
7 cm

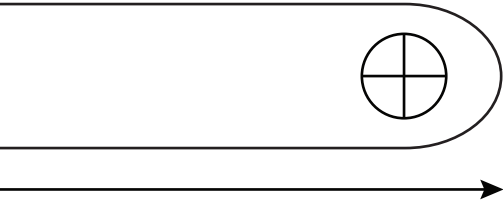
2



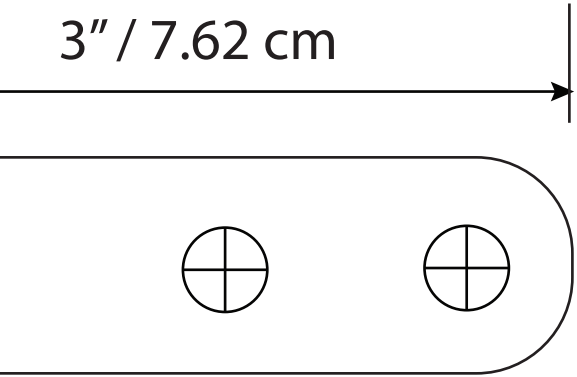
21" / 53.54 cm

1/2"
1.27 cm

3



3" / 7.62 cm



1-1/4"
3.17 cm

1/2"
1.27 cm

4