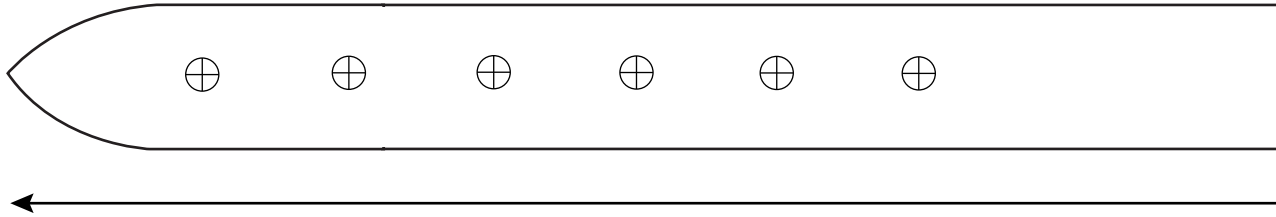


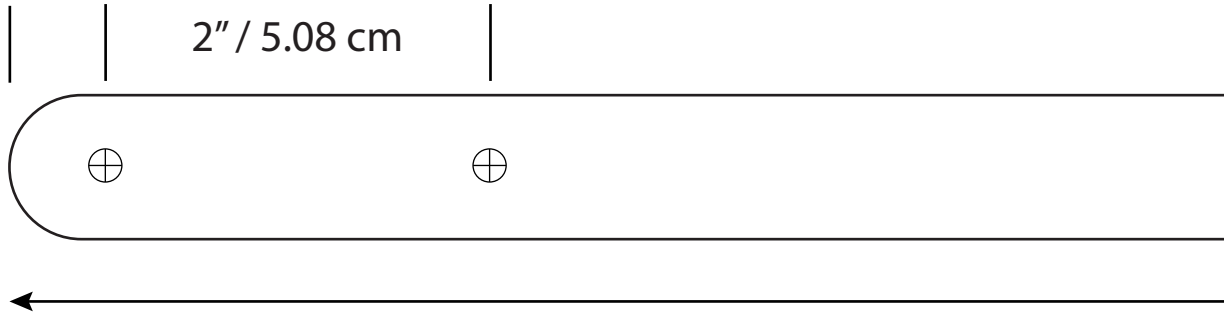
1

1" / 2.54 cm | 3/4" / 1.9 cm | 3/4" / 1.9 cm | 3/4" / 1.9 cm | 3/4" / 1.9 cm | 3/4" / 1.9 cm

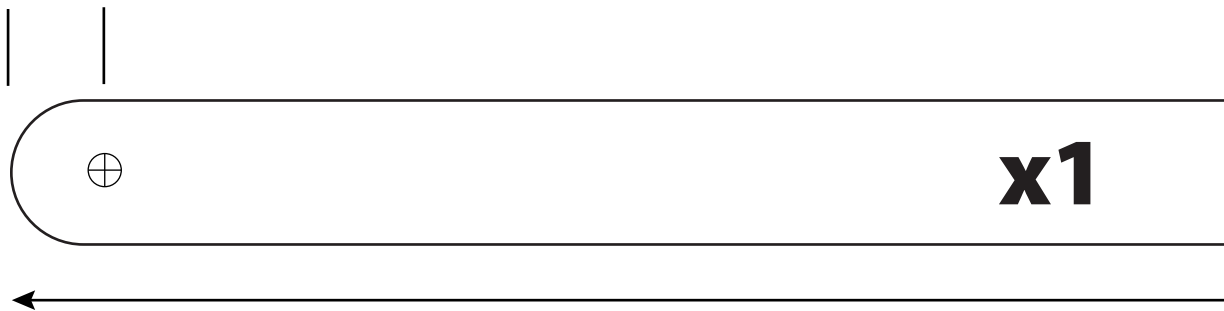


1.2" / 1.27 cm

2" / 5.08 cm



1.2" / 1.27 cm



x1

11" / 34.2 cm

2

SUSPENDERS

x2

28" / 71.1 cm

x2

2-1/2" / 6.35 cm

1.2" /
1.27 cm

3/4" /
1.9 cm

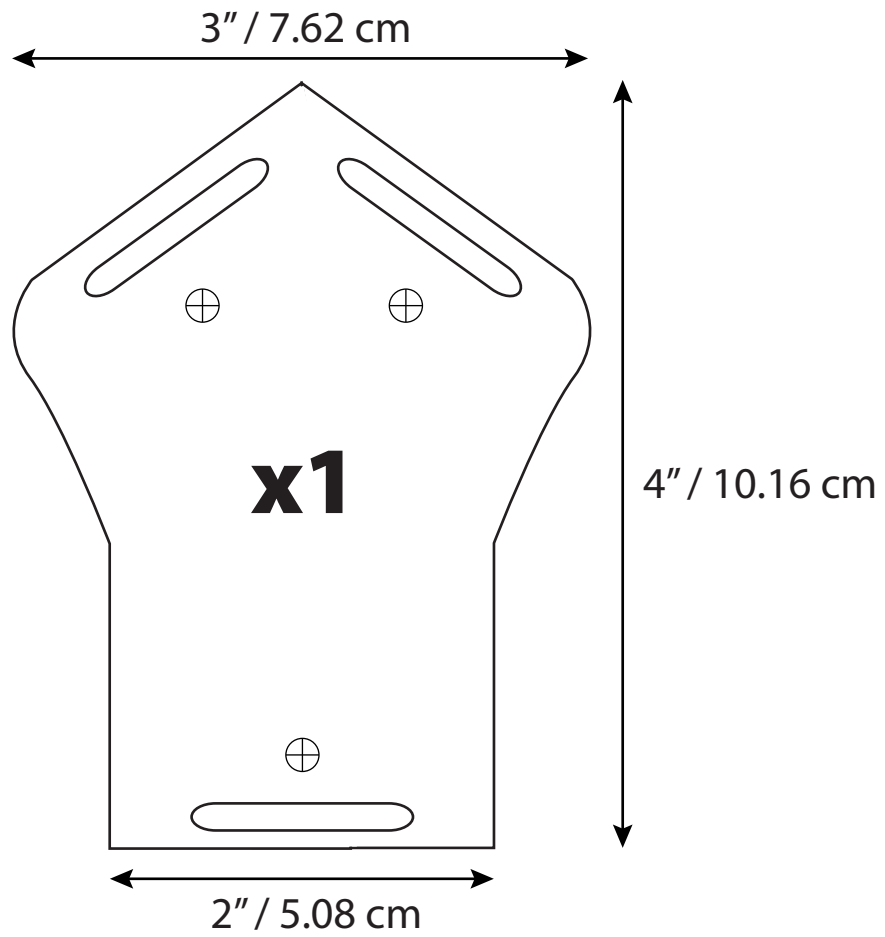
13-1/2" / 27.94 cm

1.2" /
1.27 cm

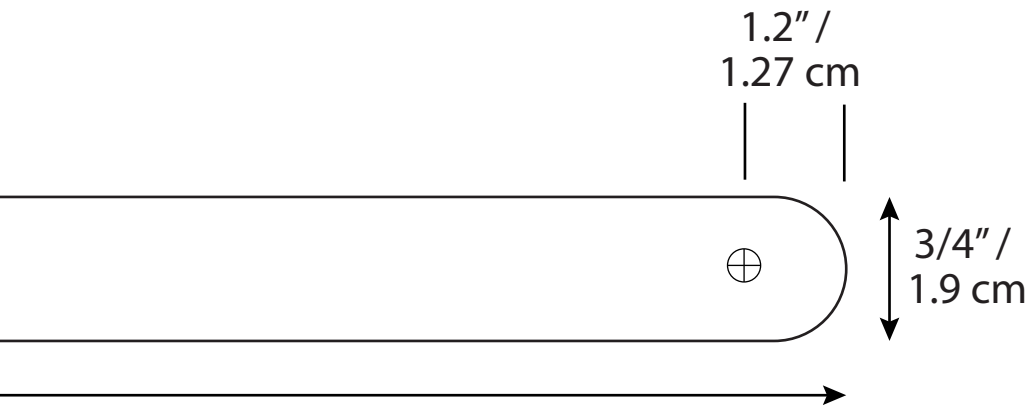
2" / 5.08 cm

3/4" /
1.9 cm

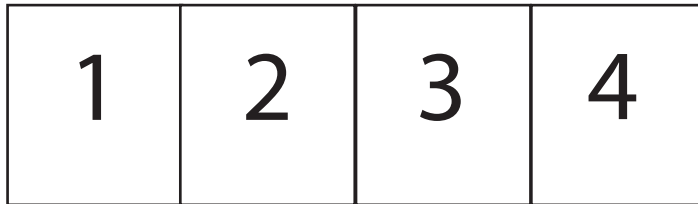
3



4



Print at 100%,
Four 8-1/2 x 11 Pages
Line Up End to End in this Order
for Pattern



May have white areas between
pages just continue line work
with pencil or pen,
do not overlap