

Print at 100%,  
Eight 8-1/2 x 11 Pages  
Line Up End to End in this Order  
for Pattern

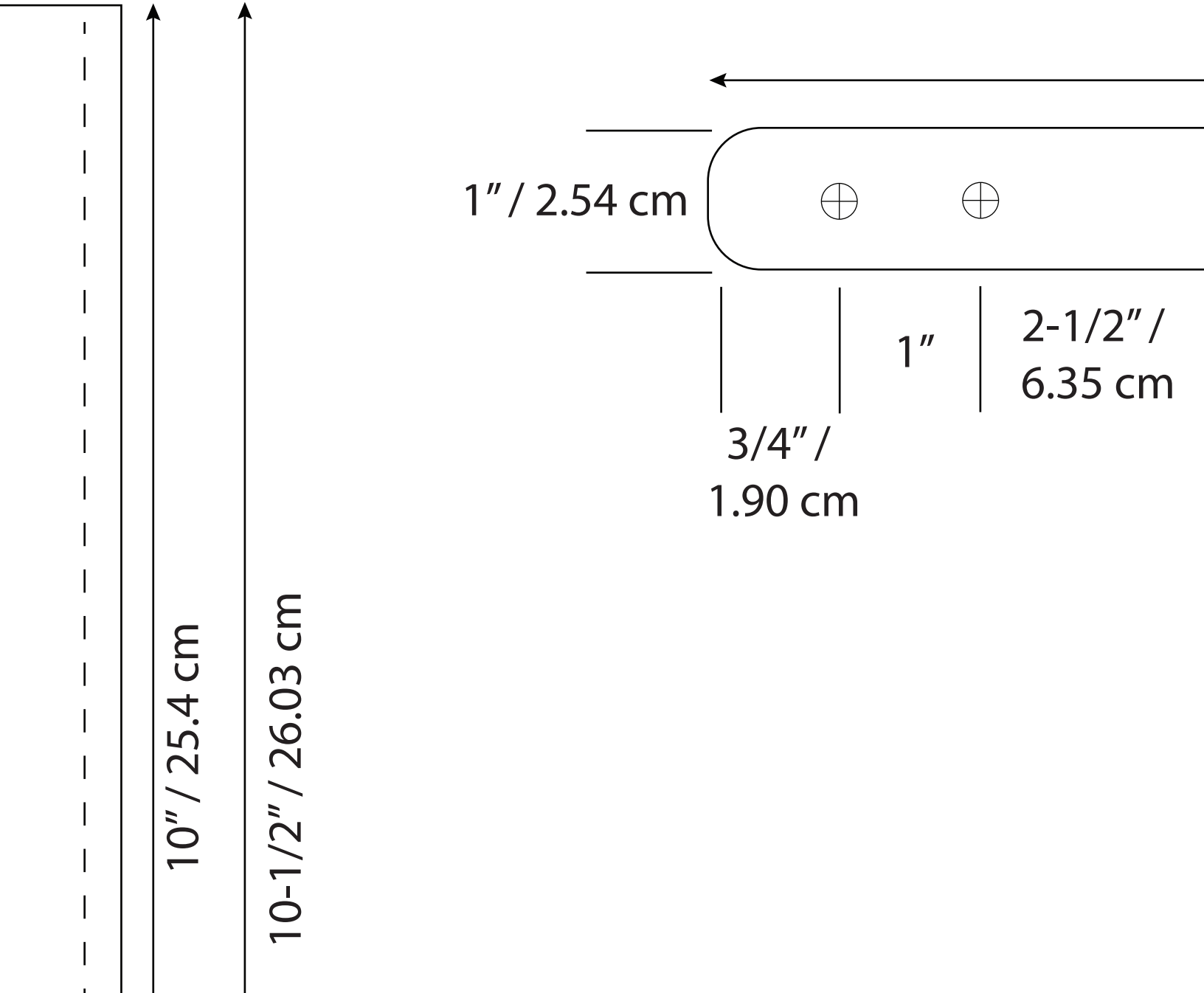
1	2	3	4
5	6	7	8

← May have white areas between pages just continue line  
work with pencil or pen, do not overlap

## GUSSET X 2

↑ ↑  
May have white areas between pages just continue line  
work with pencil or pen, do not overlap





# STRAP X 4

16" / 40.64 cm



1"



1"



1"



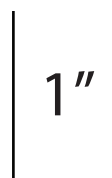
1"



1"

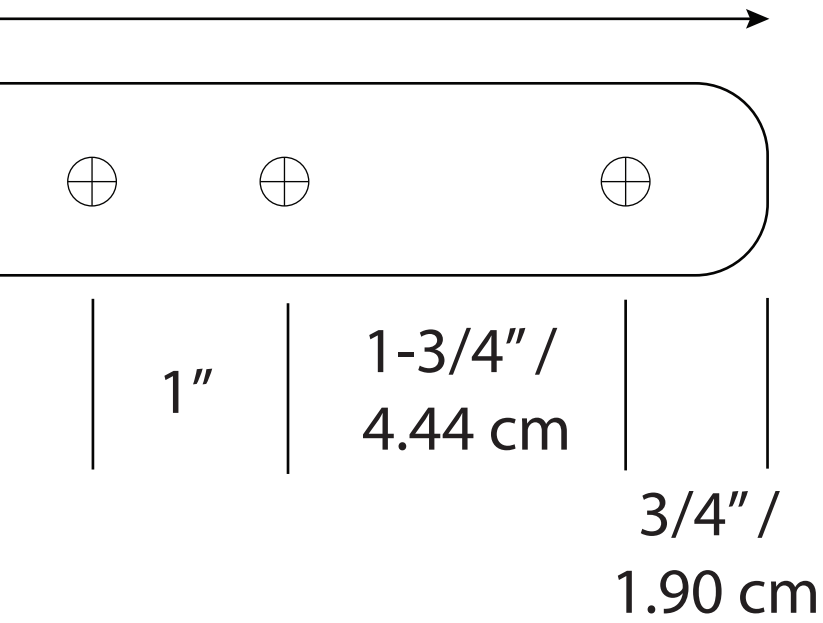


1"



1"

1" /  
2.54 cm



1-1/2" / 3.81 cm

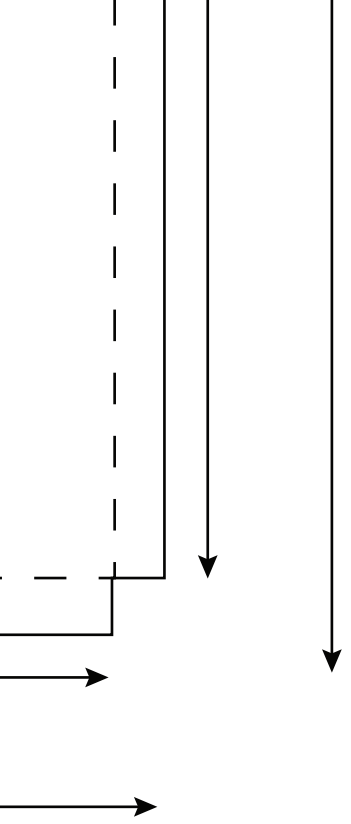
The diagram shows a technical drawing of a rectangular component. It features a solid outer boundary and a dashed inner boundary. Three dimension lines with arrows indicate the following measurements:

- A vertical dimension on the left side, labeled "1-1/2" / 3.81 cm".
- A horizontal dimension at the top, labeled "4" / 10.16 cm".
- A horizontal dimension at the bottom, labeled "4-1/2" / 11.43 cm".

4" / 10.16 cm

4-1/2" / 11.43 cm

**5**



# **TRUCK HANDLE CUT X 2**

---

---

26" / 66.04 cm

1" /  
2.54 cm

←  
1-1/2" / 3.81

**7**

# BILLET X 1

4-1/2" / 11.43 cm

