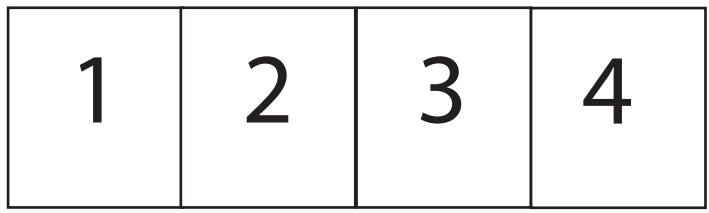
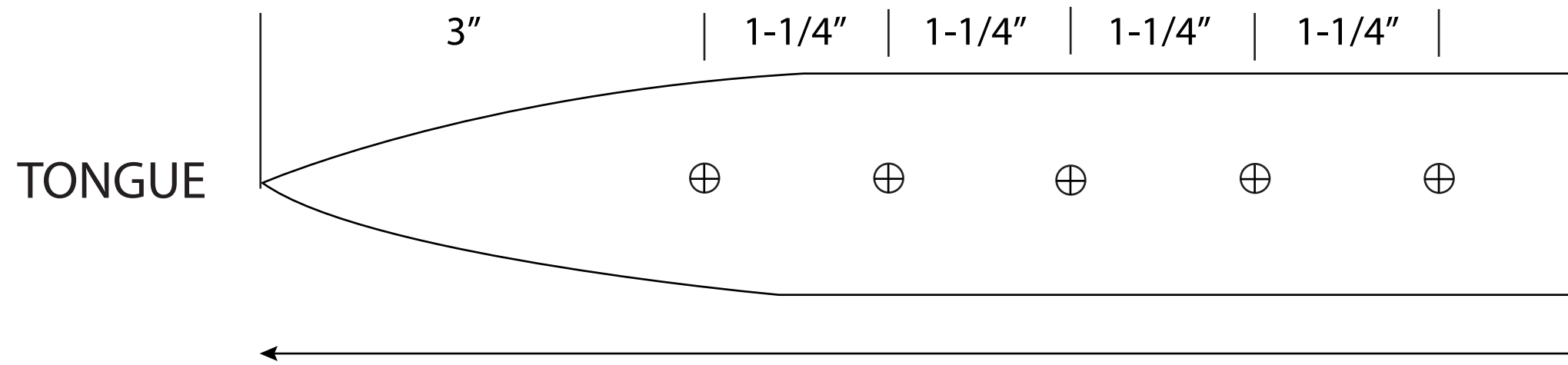


Print at 100%,
Four 8-1/2 x 11 Pages
Line Up End to End in this Order
for Pattern



May have white areas between
pages just continue line work
with pencil or pen,
do not overlap

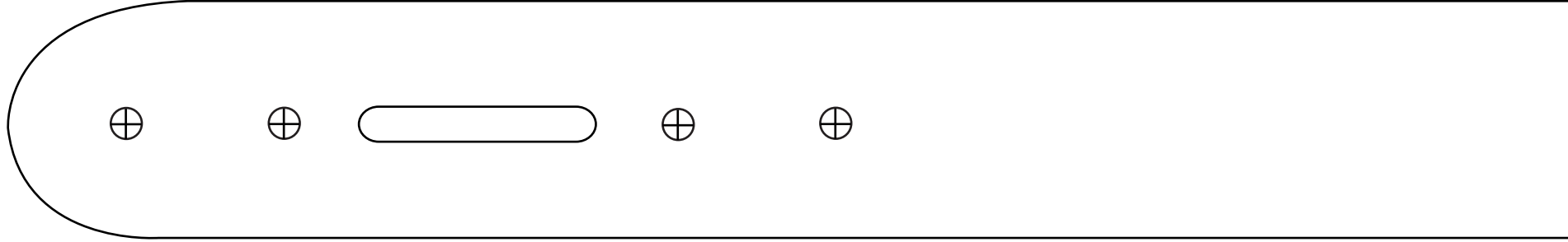
ST



SHOULDER STRAPS

STRAP

| 3/4" | 1" | 2-1/2" | 1" |



17"/43.18 cm

40"/101.6 cm

