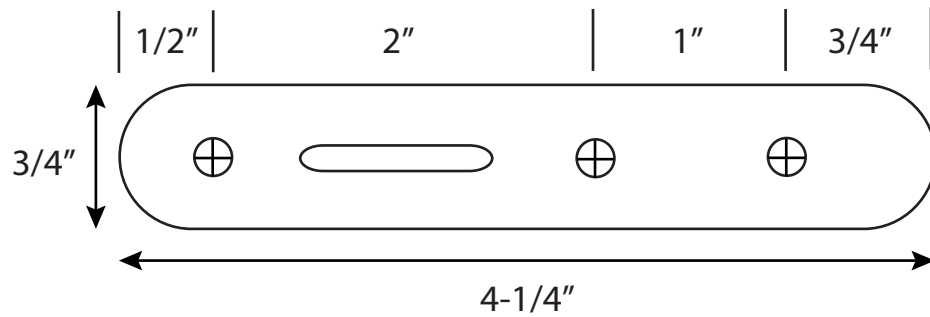
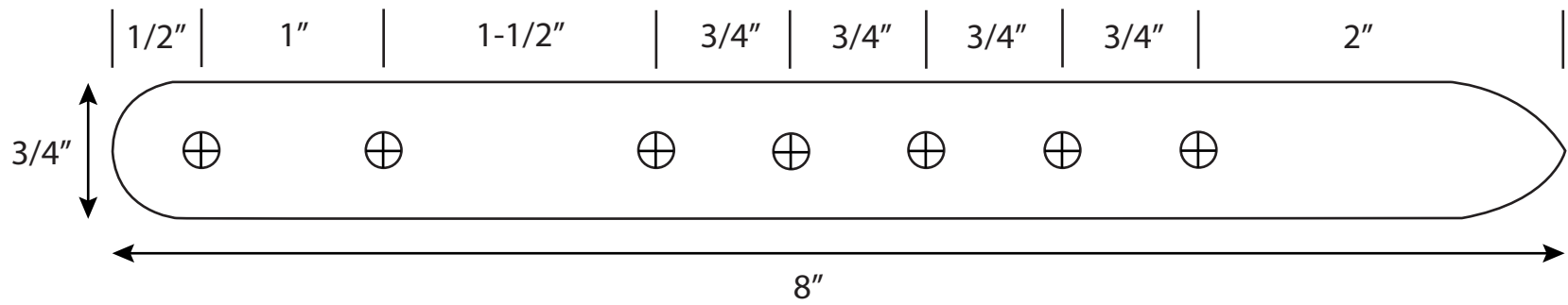


CLOSURE STRAP & BILLET X 2 EA.



WITH 1" OBLONG