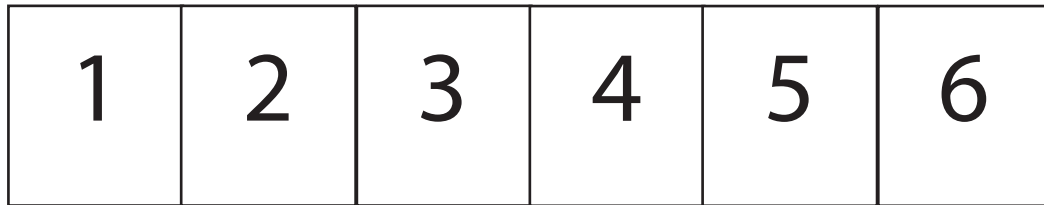
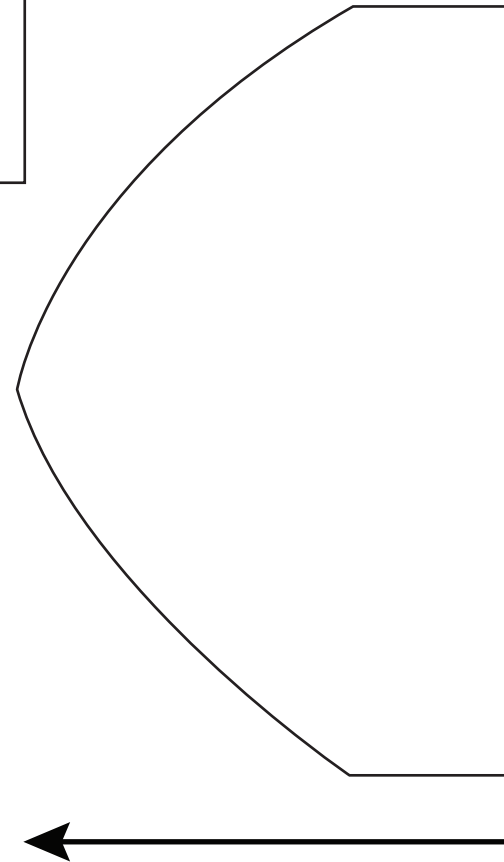
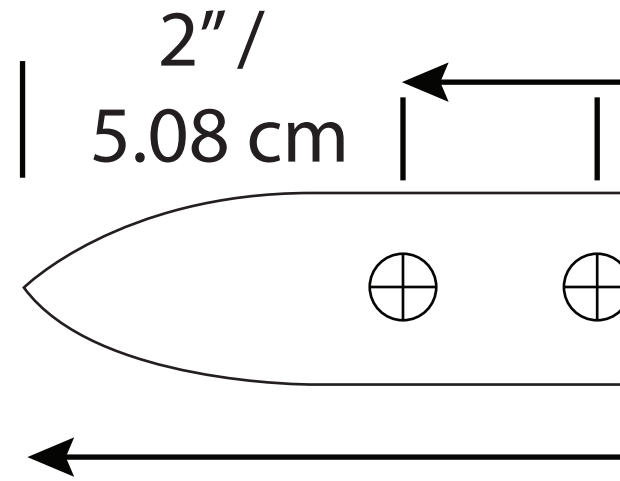


# TWO STRAP BELT

Print at 100%,  
Six 8-1/2 x 11 Pages Line Up End to End  
in this Order for Pattern



↑  
May have white areas between pages just continue  
line work with pencil or pen, do not overlap



6 @ 1" SPREAD



2" /

5.08 cm





CENTER BETWEEN  
RIVETS

**X2**



43" / 109.2 cm



**X1**

42" / 106.6 cm



4



