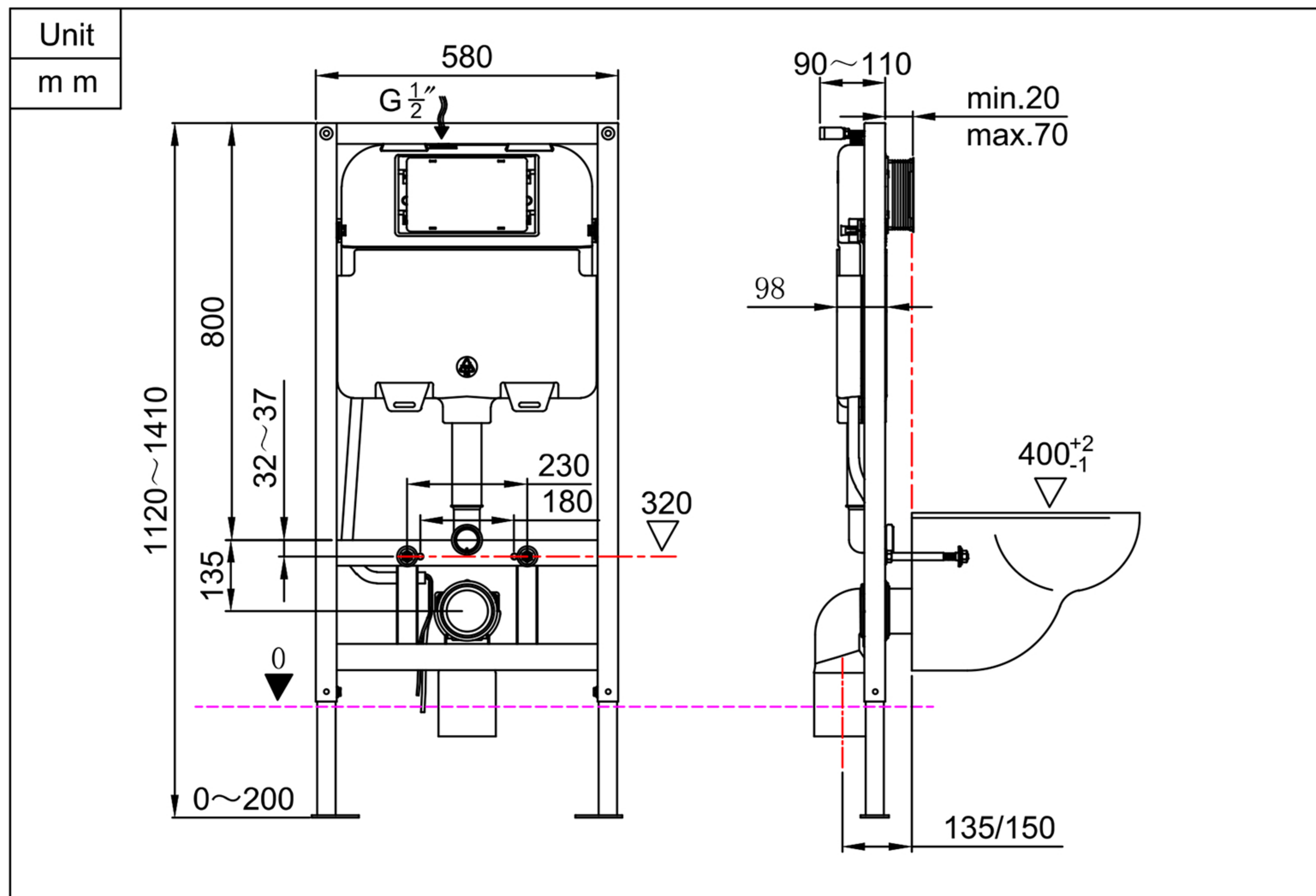
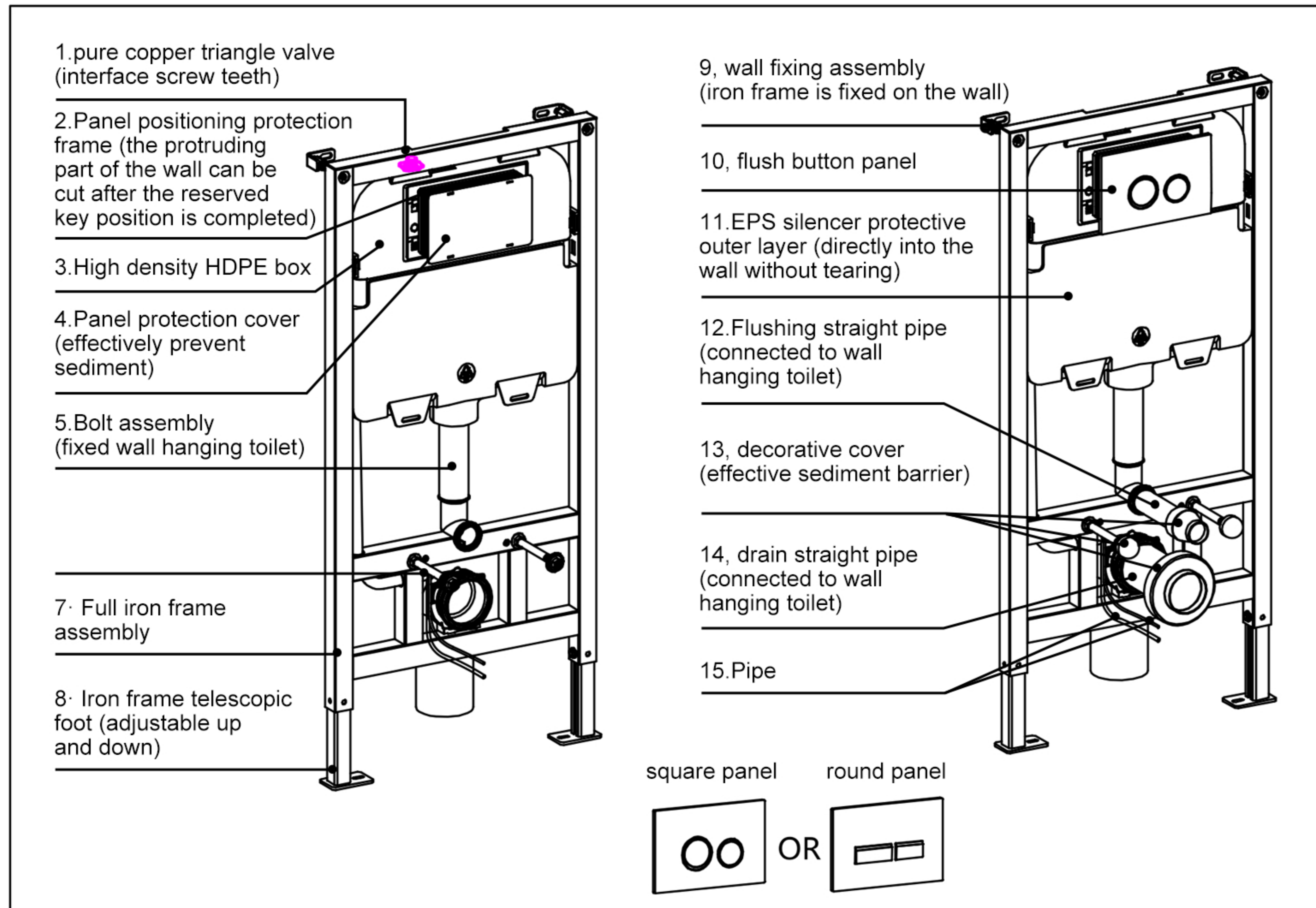
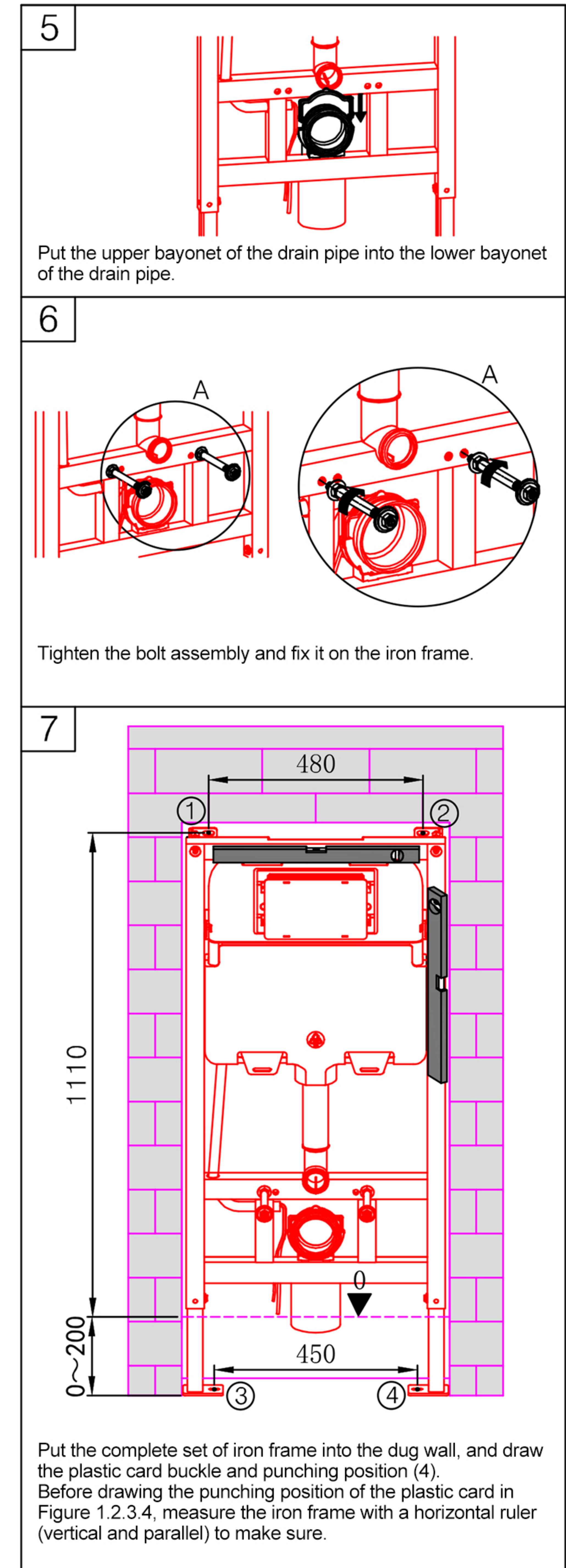
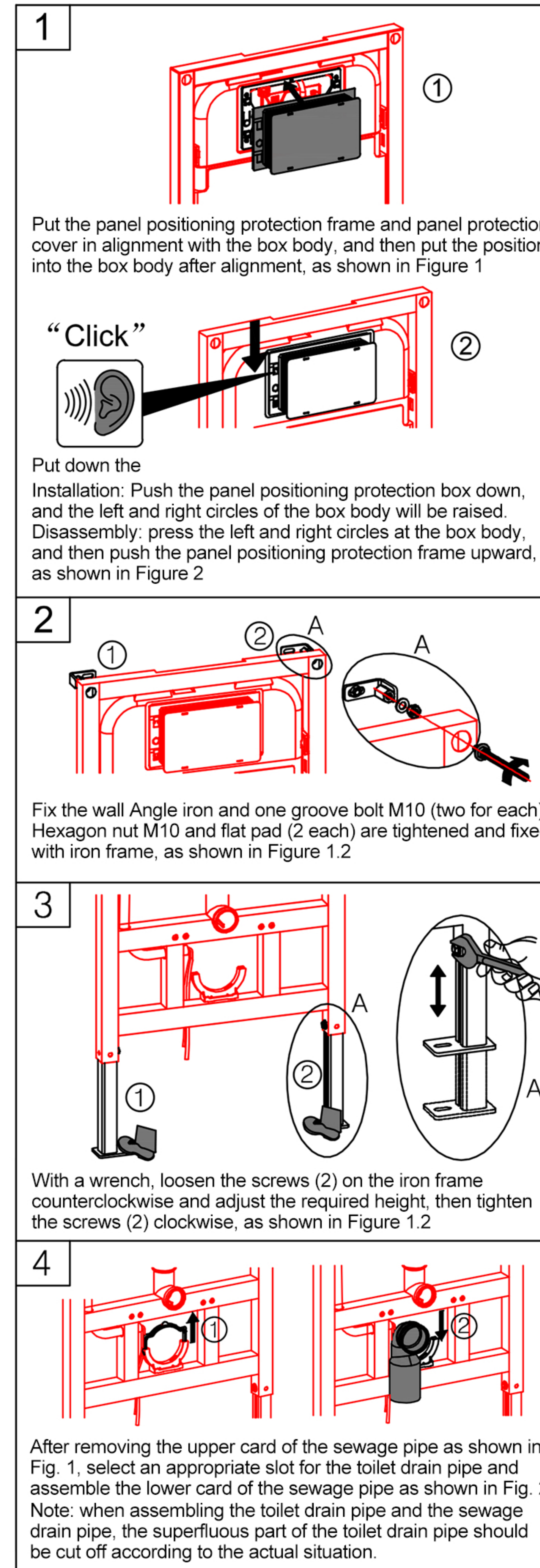


Installation


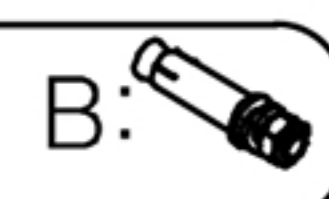


Installation

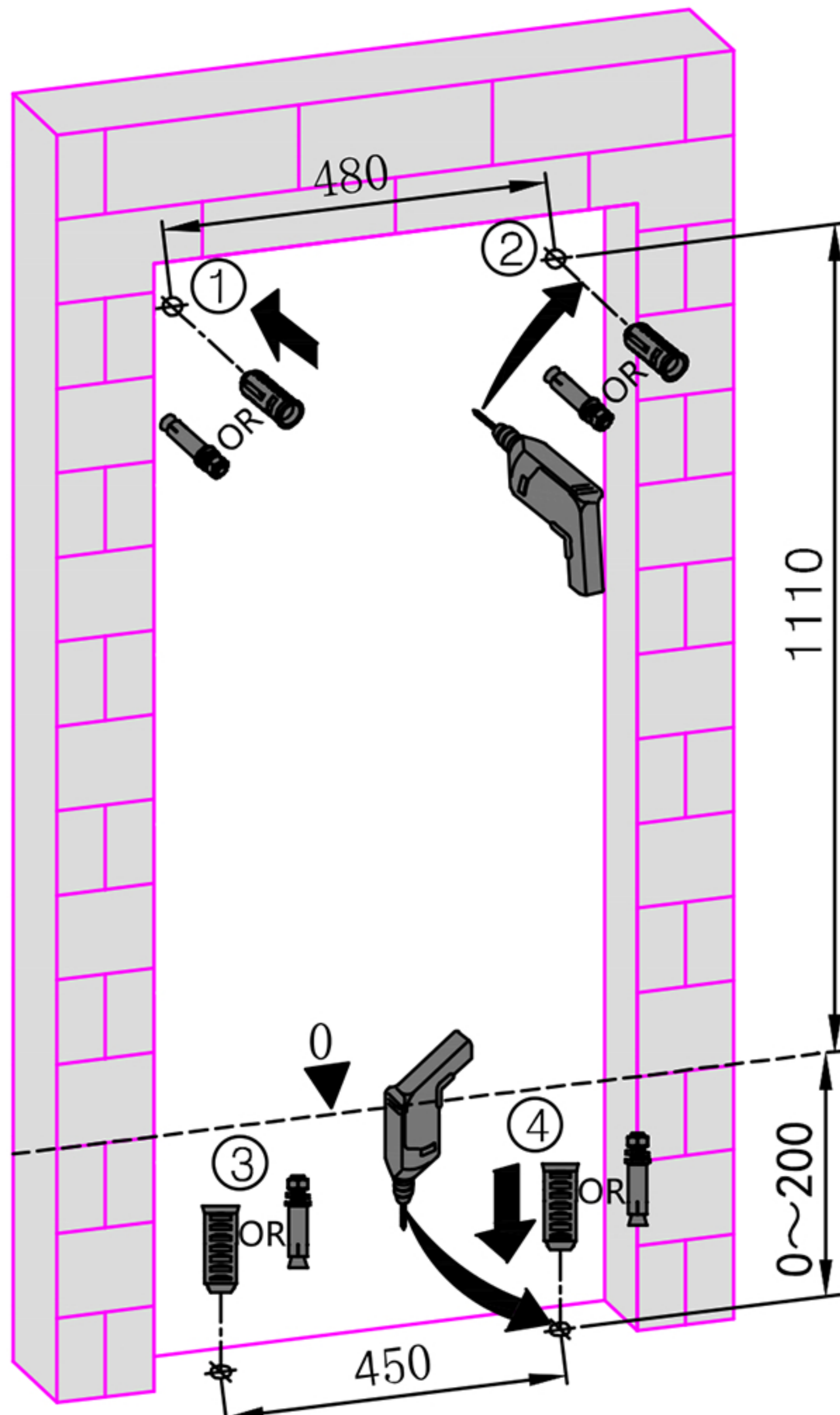


Installation

8

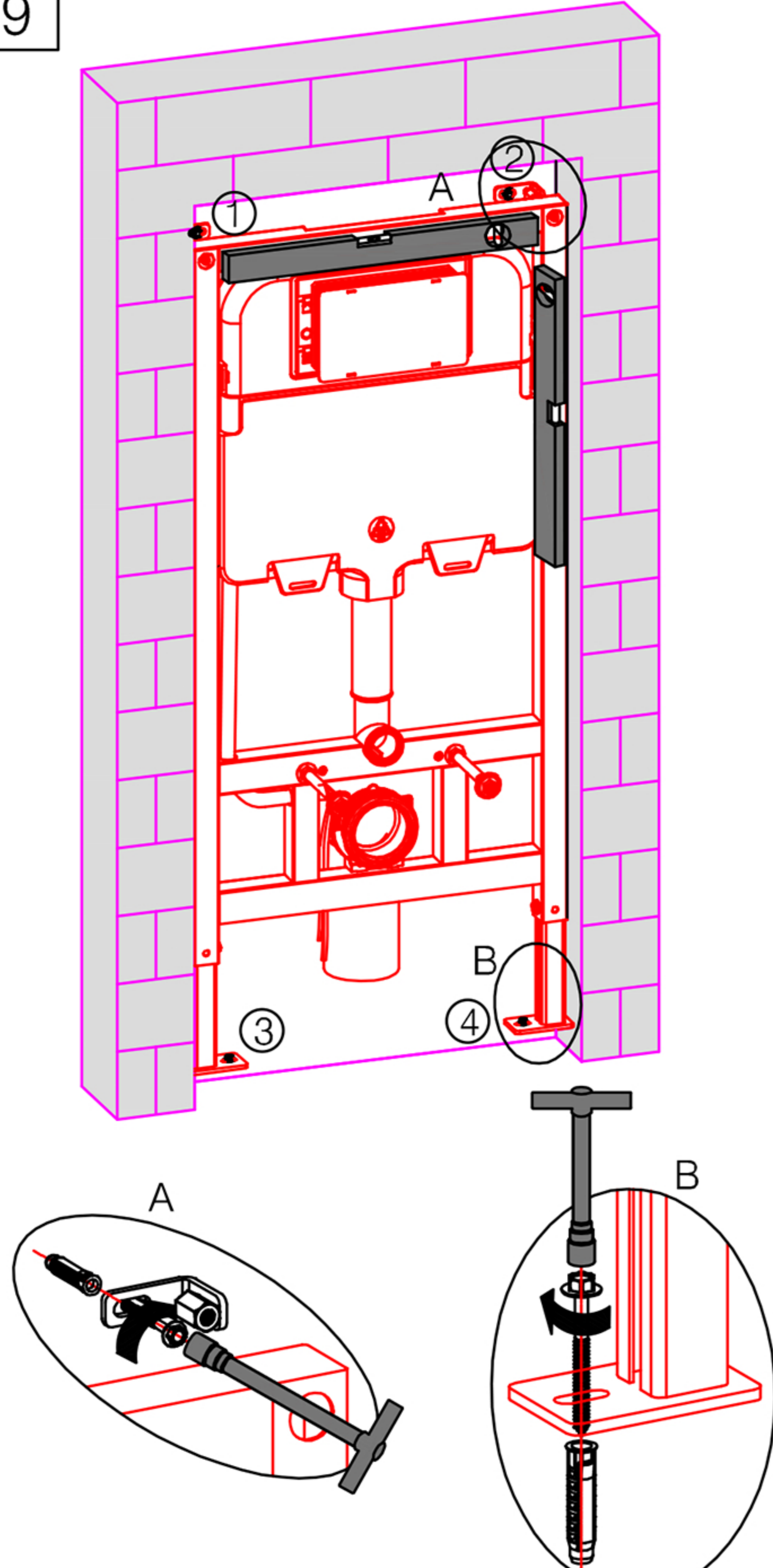
A:  B: 

A: $\phi 10 \times 60 \text{mm}$
B: $\phi 10 \times 50 \text{mm}$



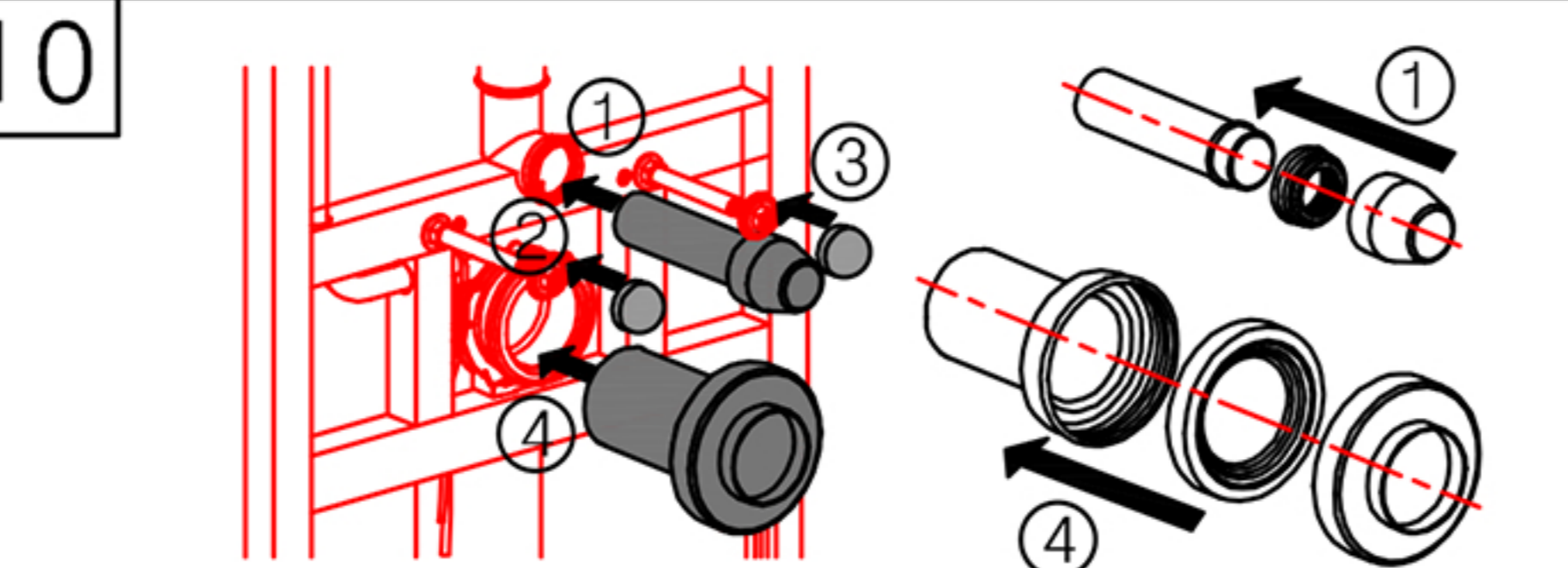
Drill holes (4 pieces) with 10mm drill bits and insert plastic buckles (4 pieces) into the holes.

9



With 10mm T-type hexagonal wrench, screw the flange self-tapping screw wire (2 pieces) and the wall fixing Angle iron (2 pieces), as shown in Figure 1.2. Tighten and fix the flanges by tapping the nail wire (2 pieces), as shown in Fig. 3.4. Make sure that the iron frame is fixed with a horizontal draft (vertical and parallel).

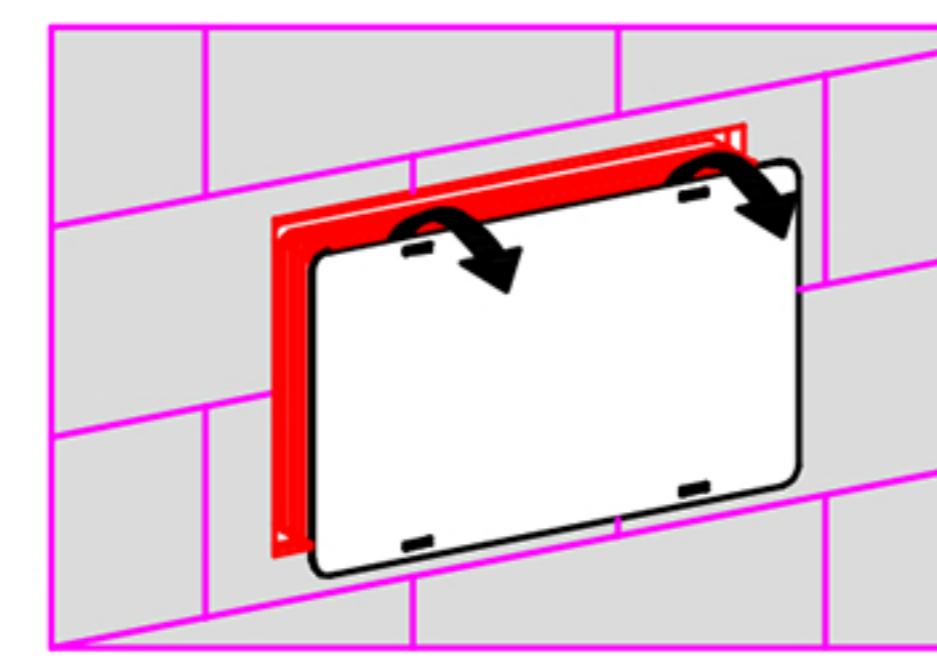
10



Assemble the toilet inlet pipe, toilet inlet ring and toilet inlet pipe decorative cover and insert them into the L pipe of the water tank, as shown in Figure 1. Install the 2 decorative covers into the bolt assembly as shown in Figure 2.3. Assemble the straight toilet drain pipe, rubber ring of the main pipe and decorative sleeve of the drain pipe, and insert them into the toilet drain pipe, as shown in figure 4. Note: the toilet inlet pipe and toilet drain straight pipe shall be cut off according to the actual assembly situation.

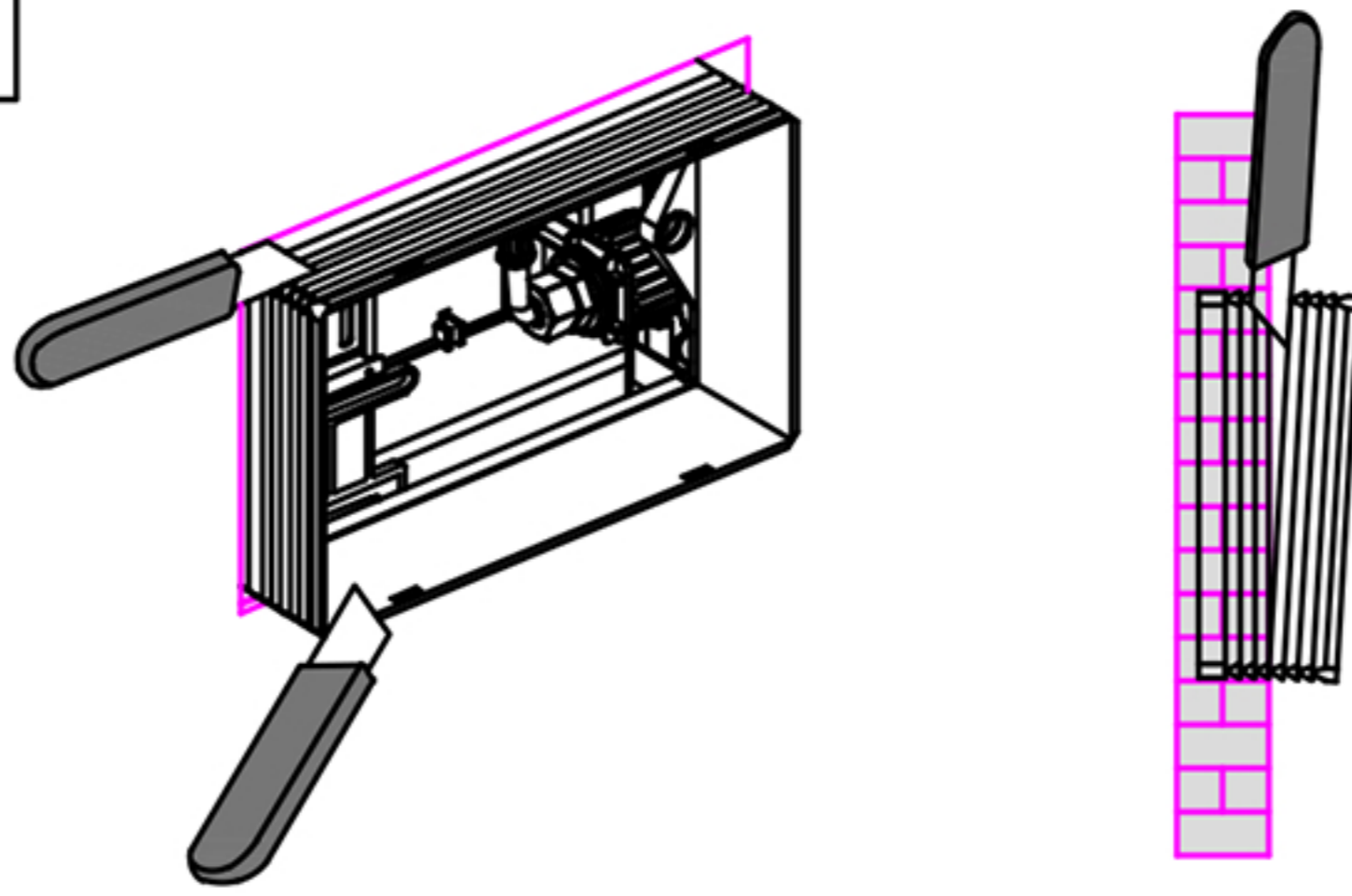
Installation

11



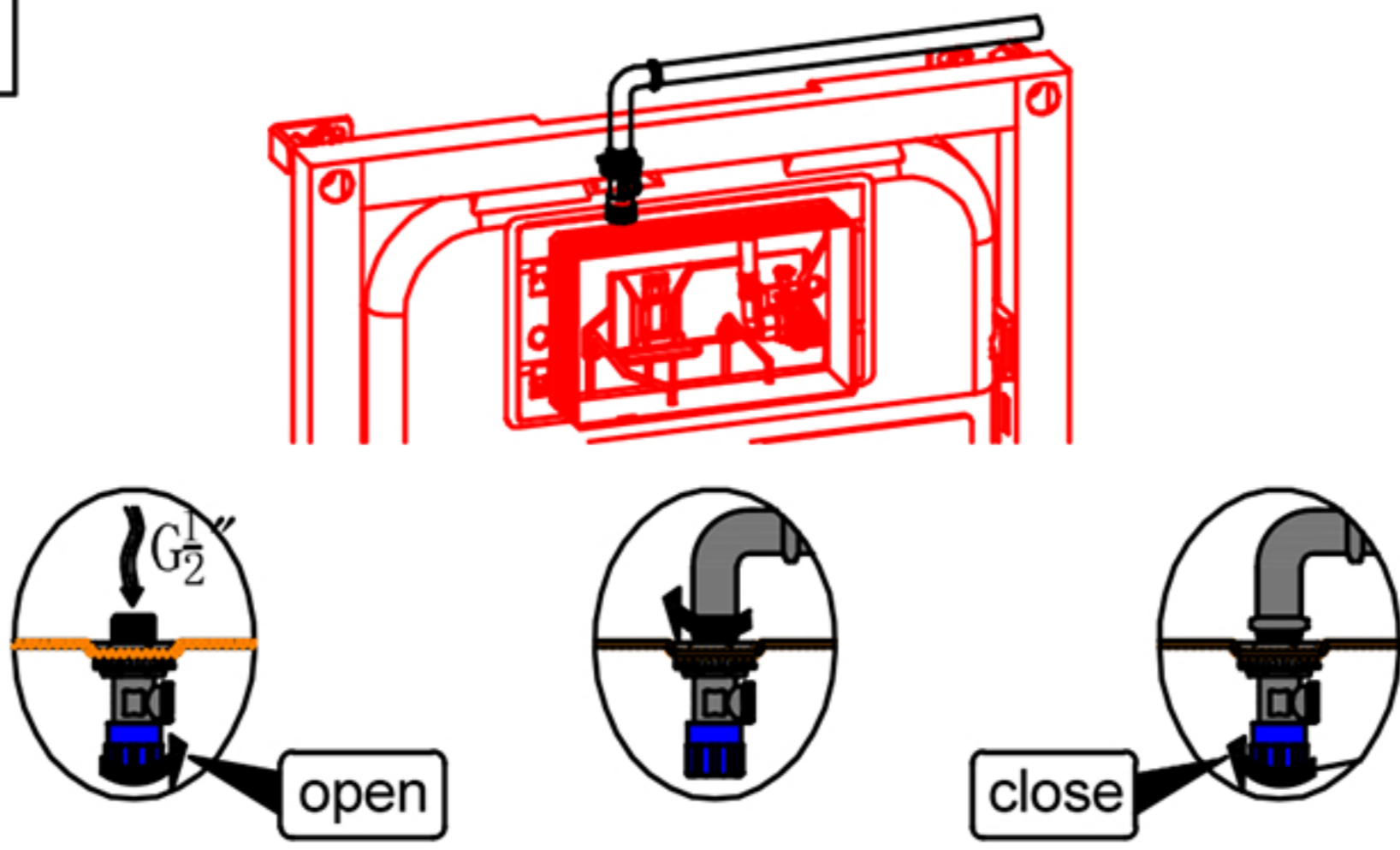
Remove the panel protection cover after filling the wall space and sticking the tile.

12



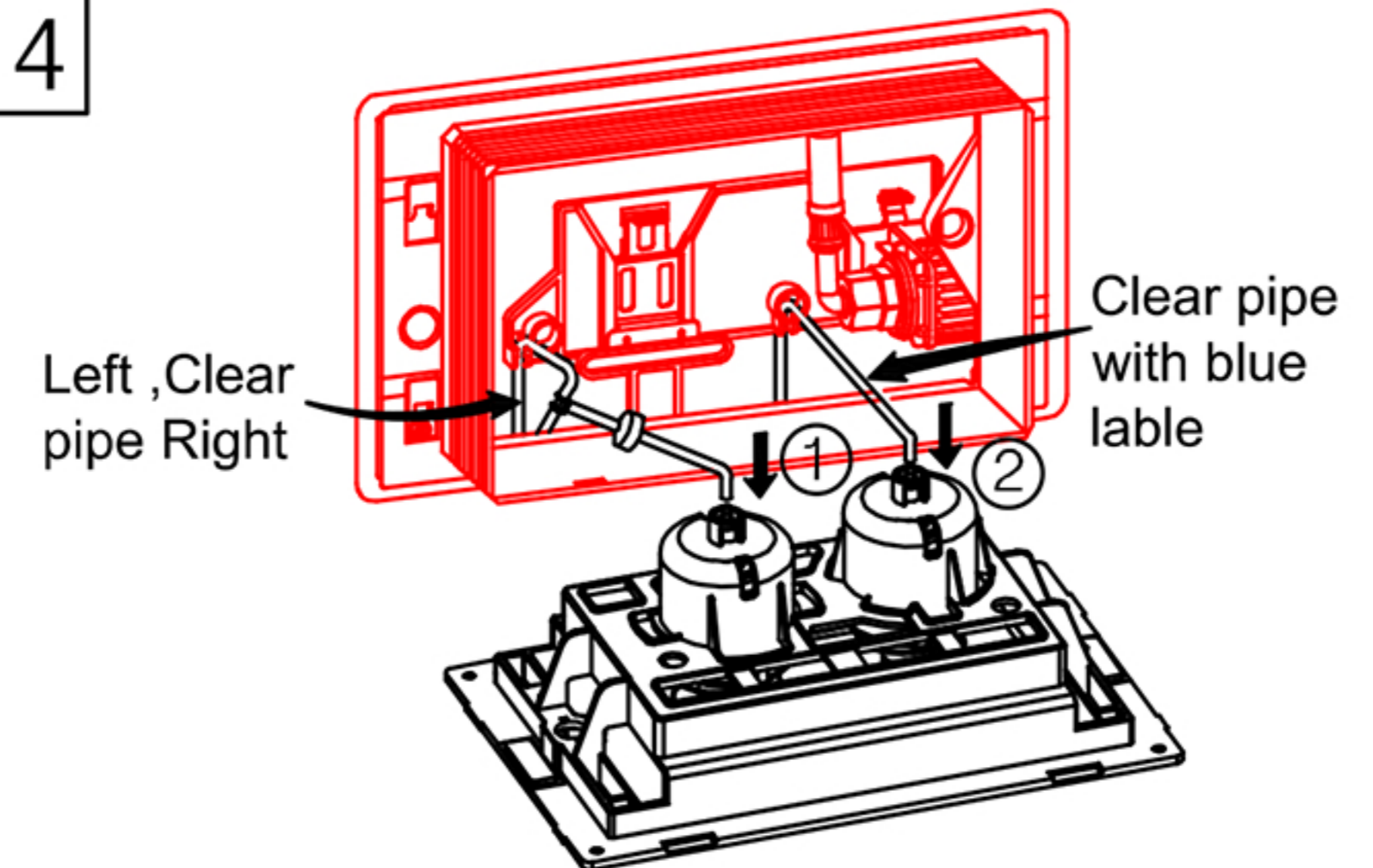
Remove the redundant part of the panel positioning protection frame with a graphic knife.

13



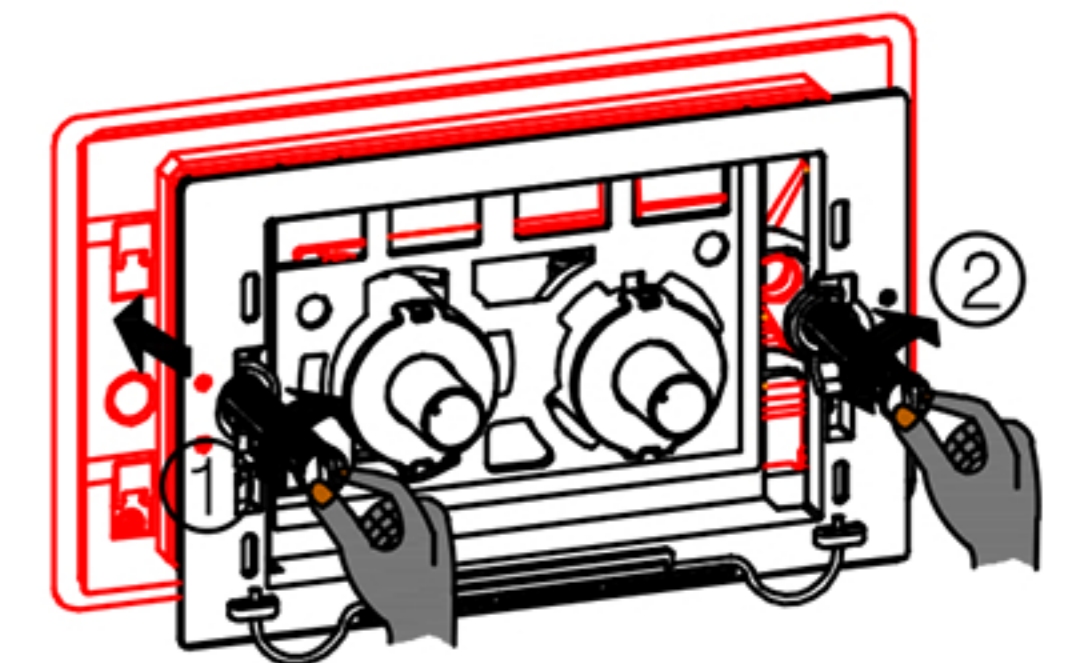
Tighten the plastic blue part of the triangle valve in the water tank clockwise (close the water inlet). Turn the inlet pipe street water outward at the triangle valve clockwise tight. Then the plastic blue triangle valve in the water tank is loosened counterclockwise (open the water inlet and rotate in place). Note: Triangle valve excise screw tooth G1/2, after connecting, fill the wall gap and paste ceramic tile.

14



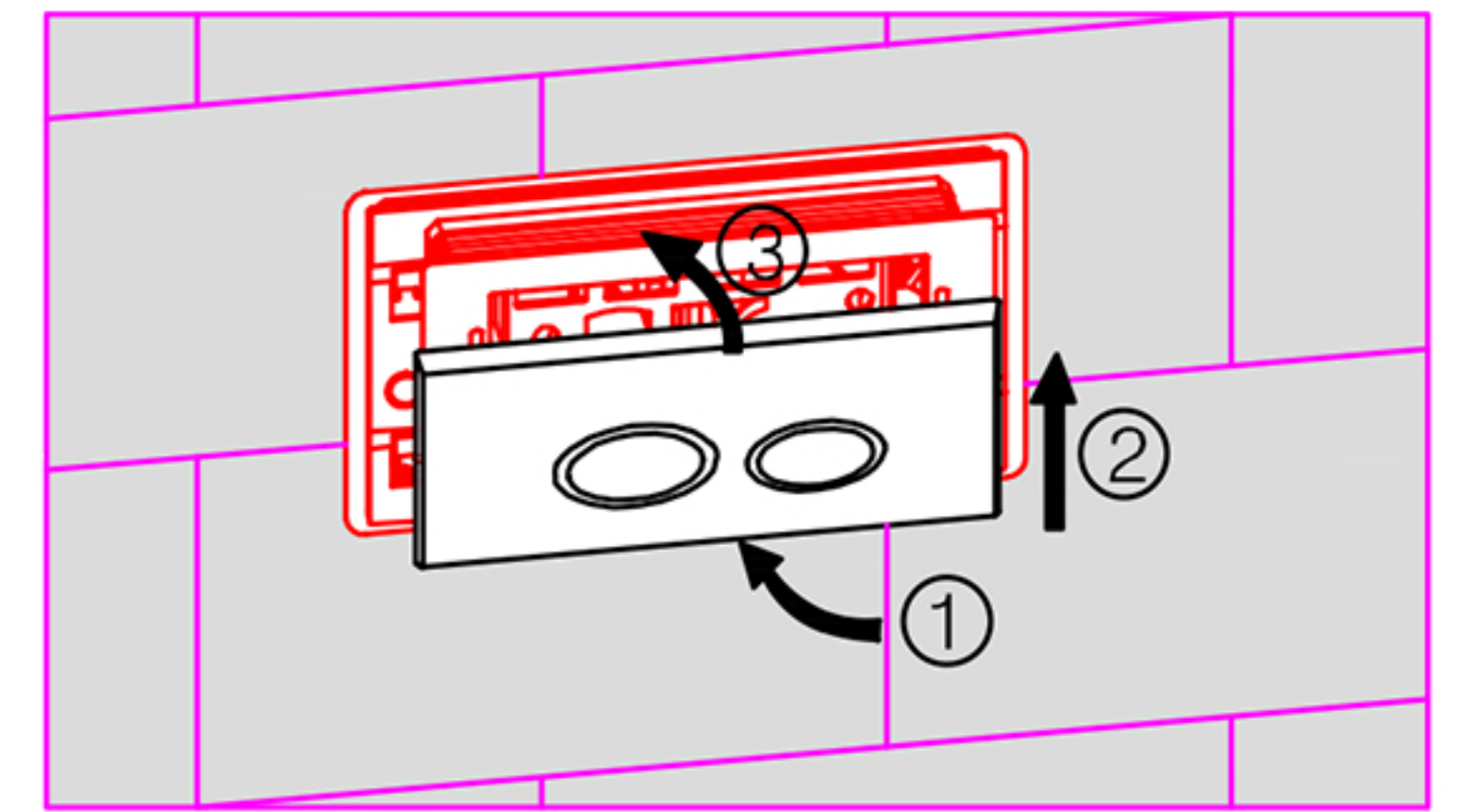
Put the two air pipes on the air control drainage valve in the box body into the copper air needle on the main frame of the air hole. Note: the spring of the air control main frame is downward, the left full exhaust pipe is loaded, and the zip code half exhaust pipe is loaded. The trachea was not crossed or twisted.

15



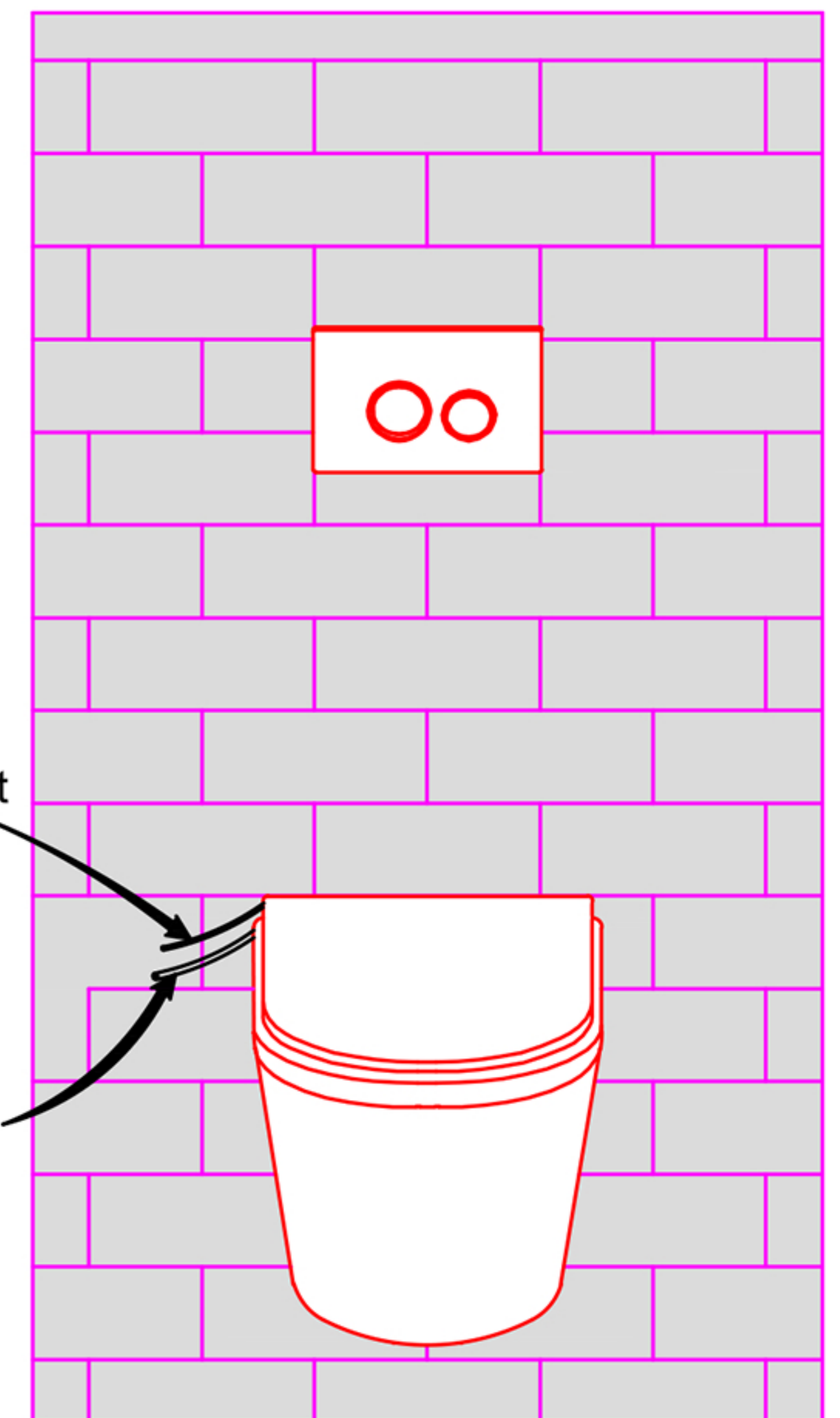
Install the air-controlled main frame in alignment with the panel positioning protection frame, and insert the adjustable lock rod into the hole. Loading: Tighten clockwise. Disassembly: Loose the adjustable lock lever counterclockwise.

16



Installation: align the position of the flushing button panel with the air control main frame, as shown in Figure 1. After the position is aligned, push up the flushing button panel, as shown in Figure 2. Then press in to place, as shown in Figure 3. Disassembly: push the flush key panel up and then push it out of the way. Note: the large key of the panel is the left full row key, the small key is the right half row key.

17

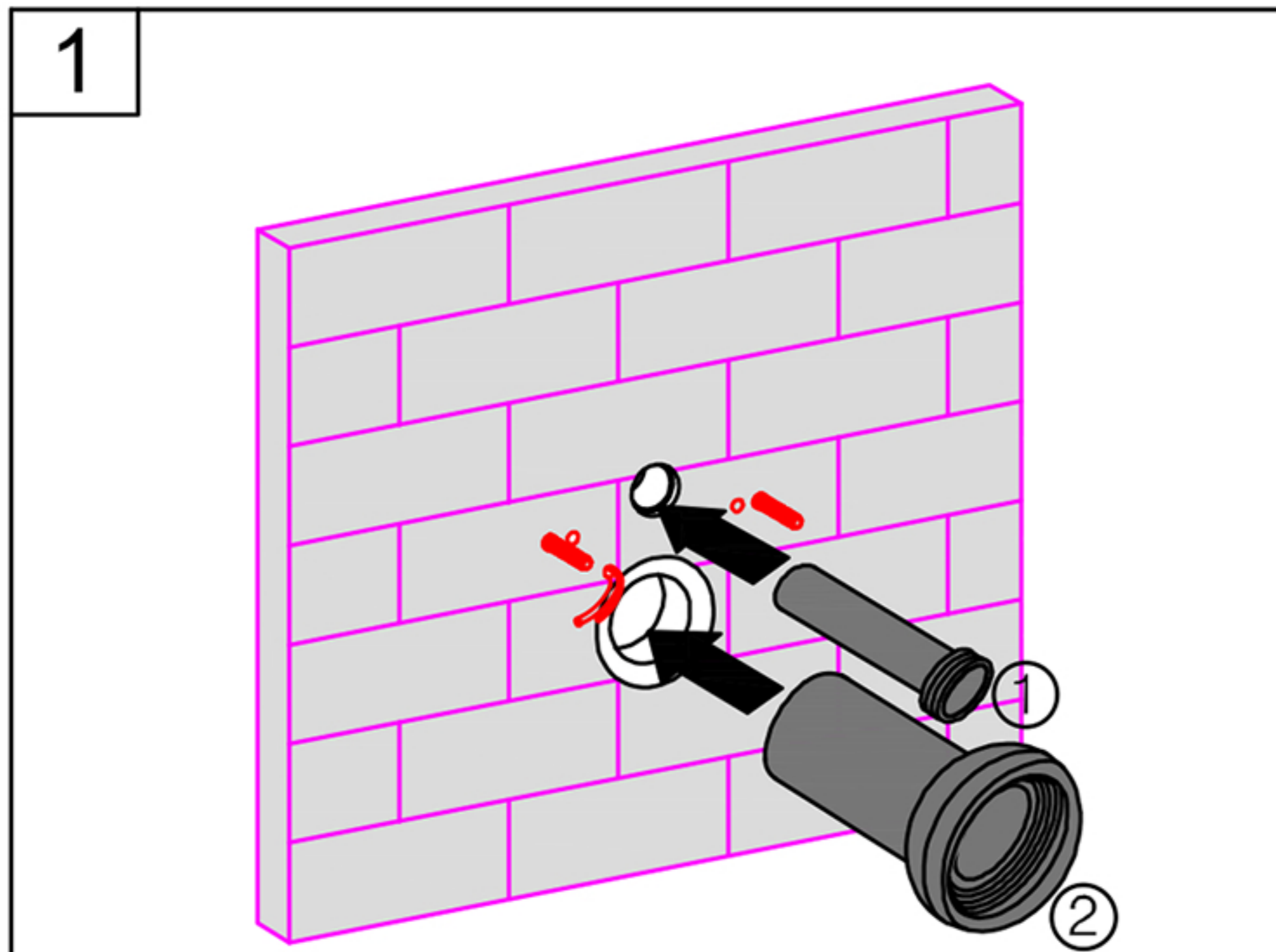


Transparent tube

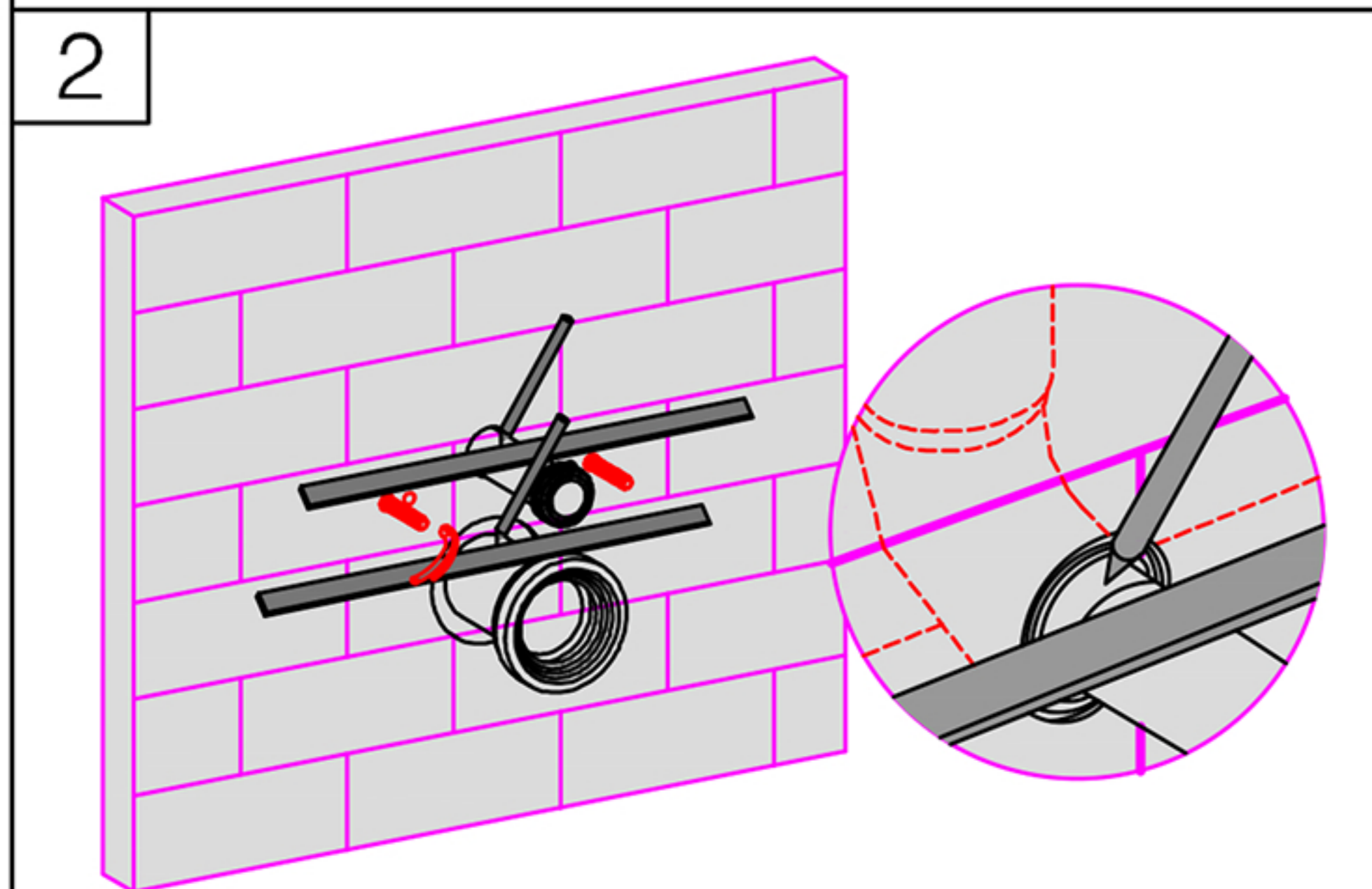
White tube

After the toilet is installed and fixed, insert a transparent air pipe (OD 4) into the air pump or the air control button interface of the toilet, and insert a white hard pipe (OD 6.5) into the water source interface of the toilet toilet for women or buttocks.

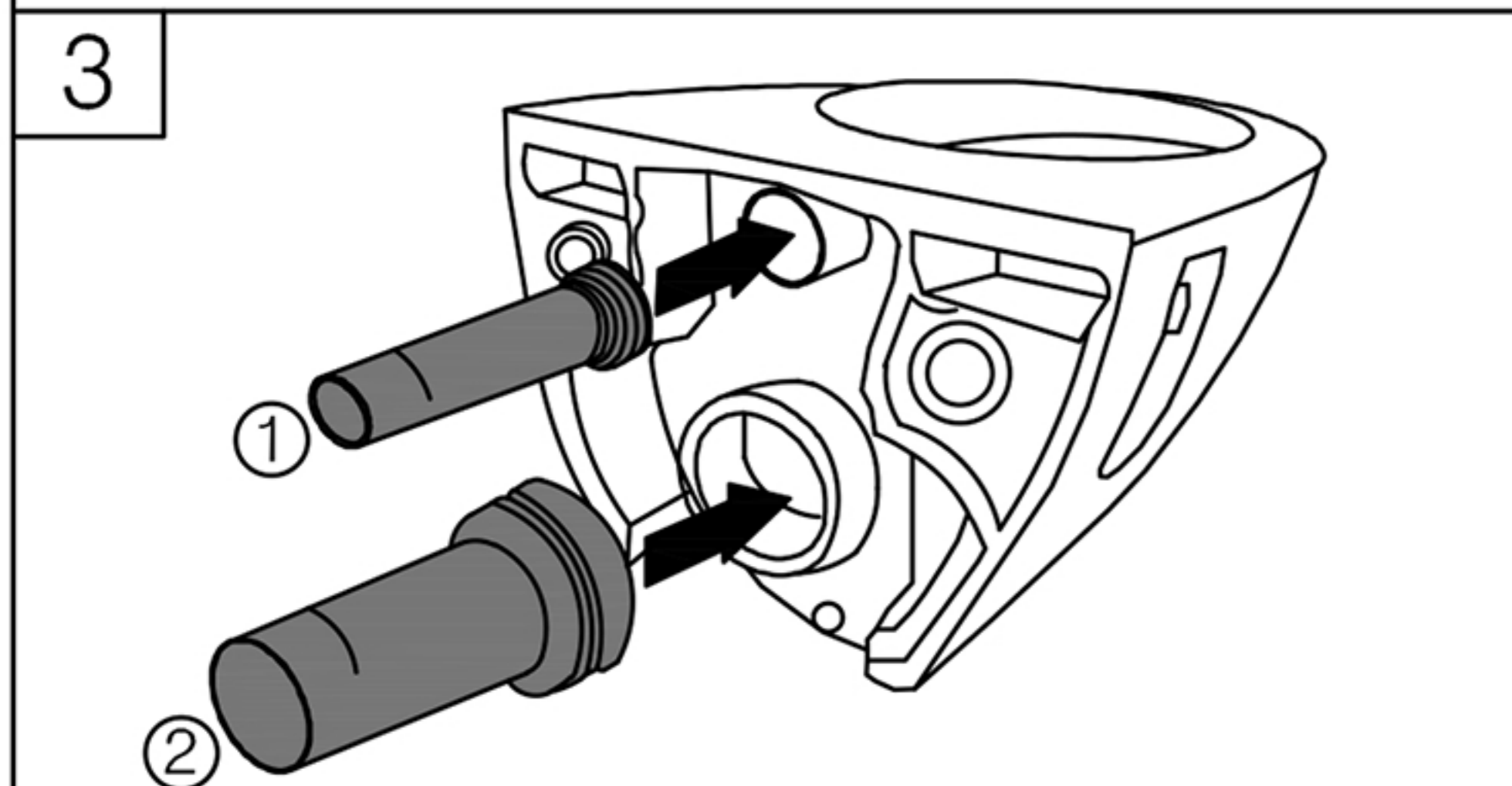
Installation



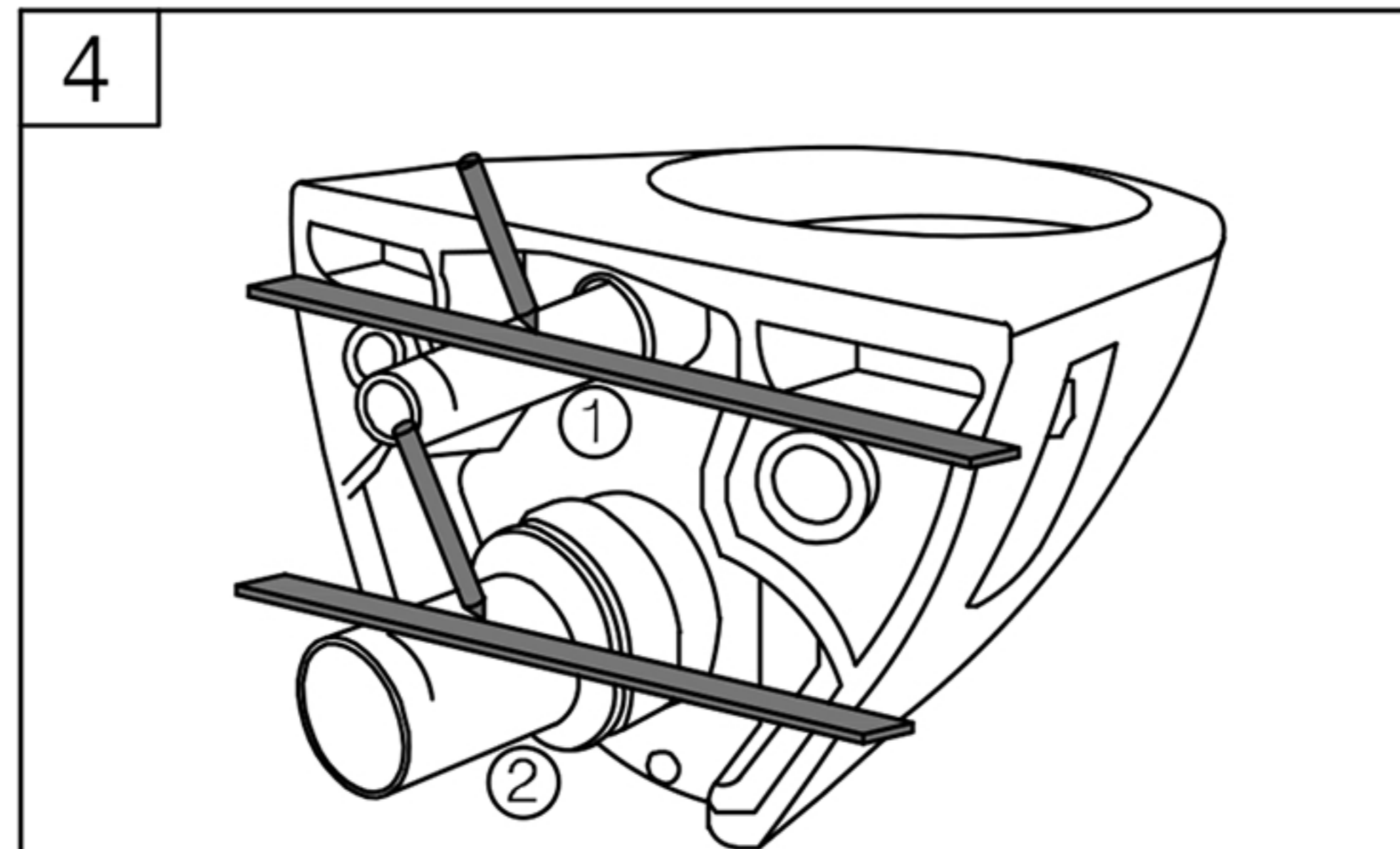
Insert the toilet inlet pipe into the tiled water tank L pipe and make sure it is inserted properly, as shown in Figure 1. Insert the toilet drain straight into the toilet drain on the tiled wall and make sure it is inserted in place as shown in figure 2.



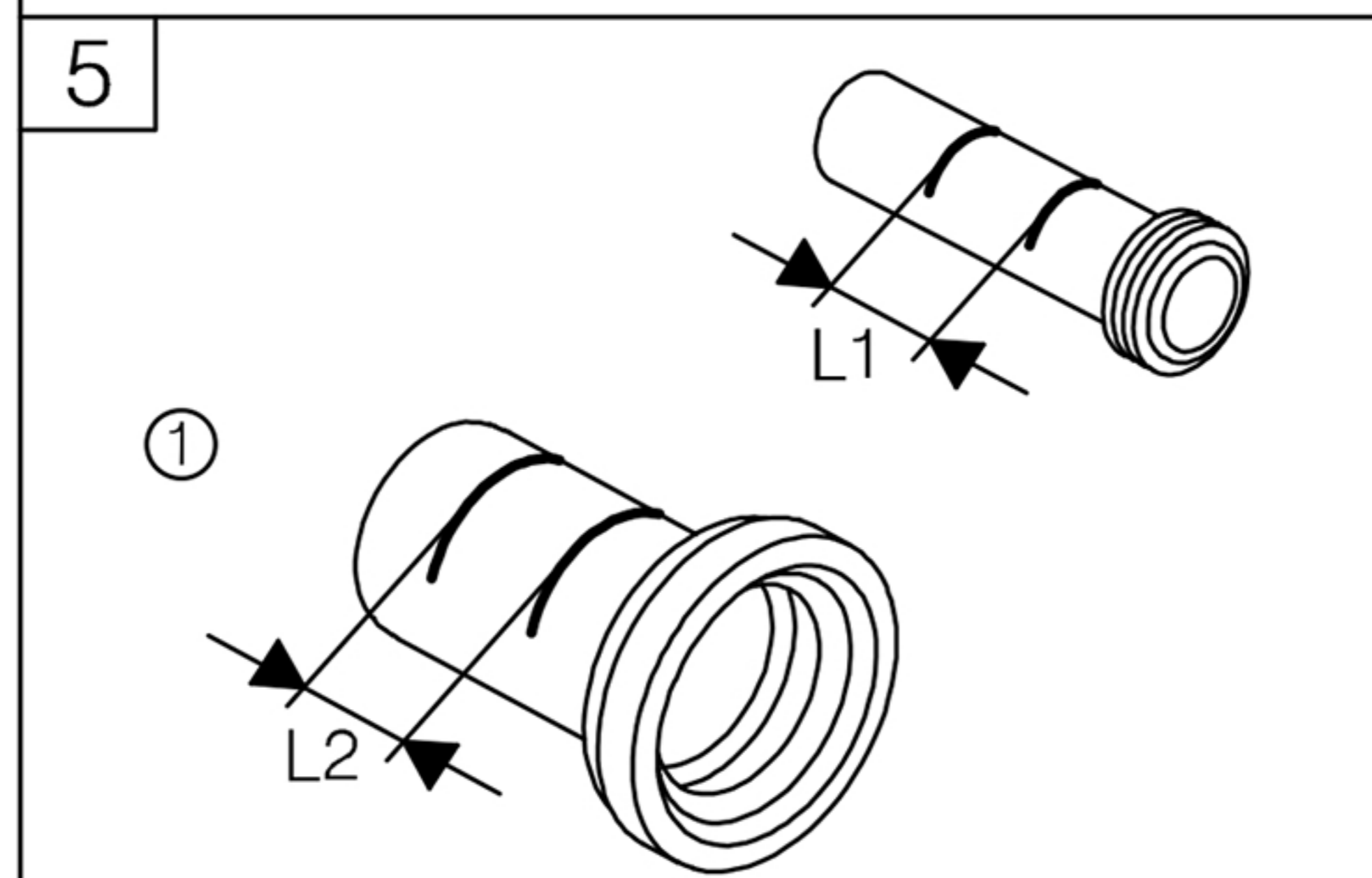
Put the toilet water pipe at the proper position perpendicular to the board and draw the line with pencil. The line should be pulled out after drawing, as shown in Figure 1. Use the proper position of the vertical board to block the straight pipe of the toilet blowdown and draw a line with a pencil. After the line is drawn, it needs to be pulled out, as in figure 2.



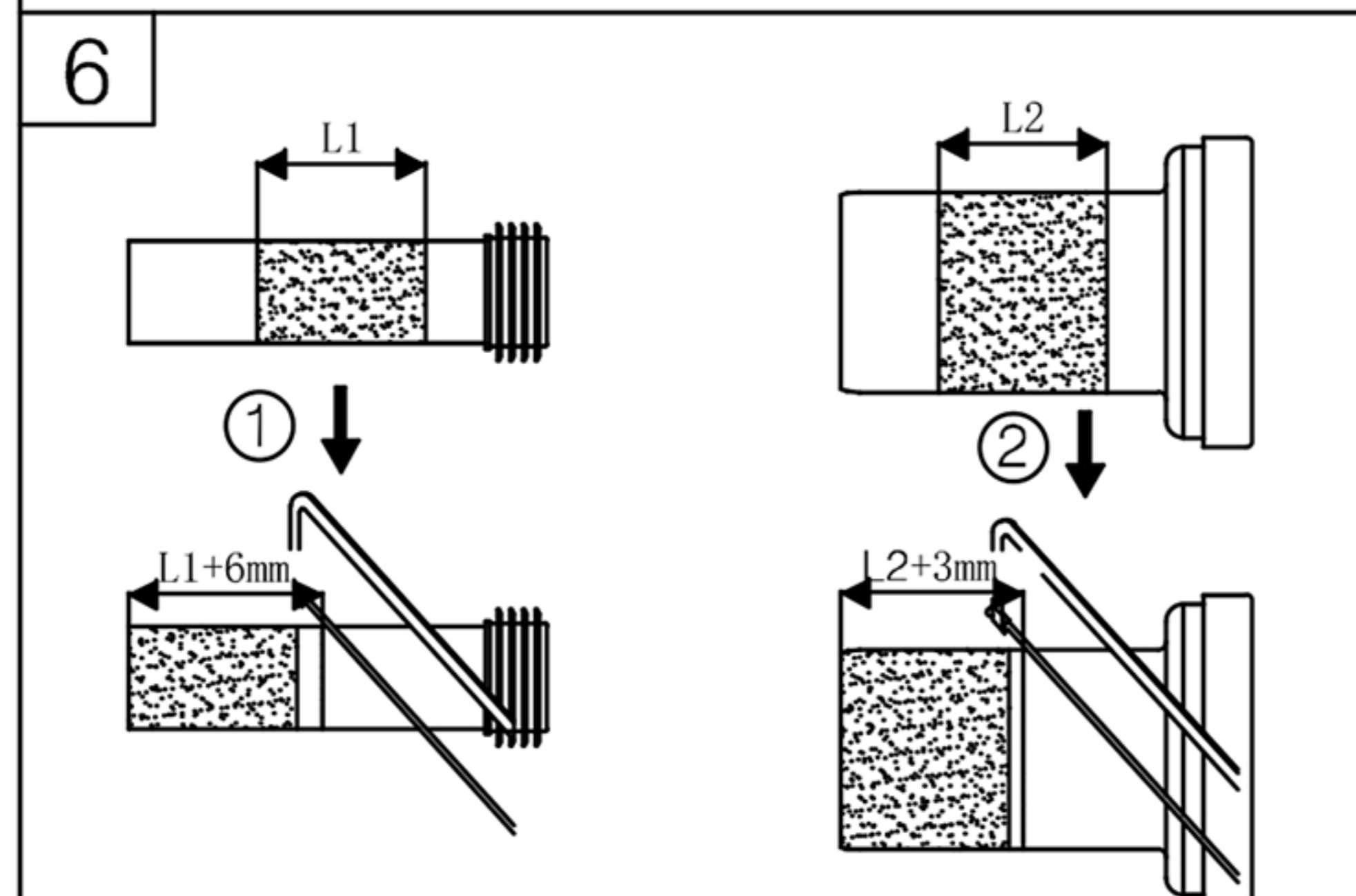
Insert the toilet water inlet pipe and toilet water ring into the wall hanging toilet water inlet, make sure they are inserted in place, as shown in Figure 1. Insert the toilet drain line and the large tube rubber ring into the wall toilet drain, make sure it is inserted properly, as shown in figure 2.



Put the toilet water pipe perpendicular to the appropriate position of the board, and draw the line with pencil. After the line is drawn, it should be pulled out, as shown in Figure 1. Use the proper position of the vertical board to block the straight pipe of the toilet blowdown and draw a line with a pencil. After the line is drawn, it needs to be pulled out, as in figure 2.

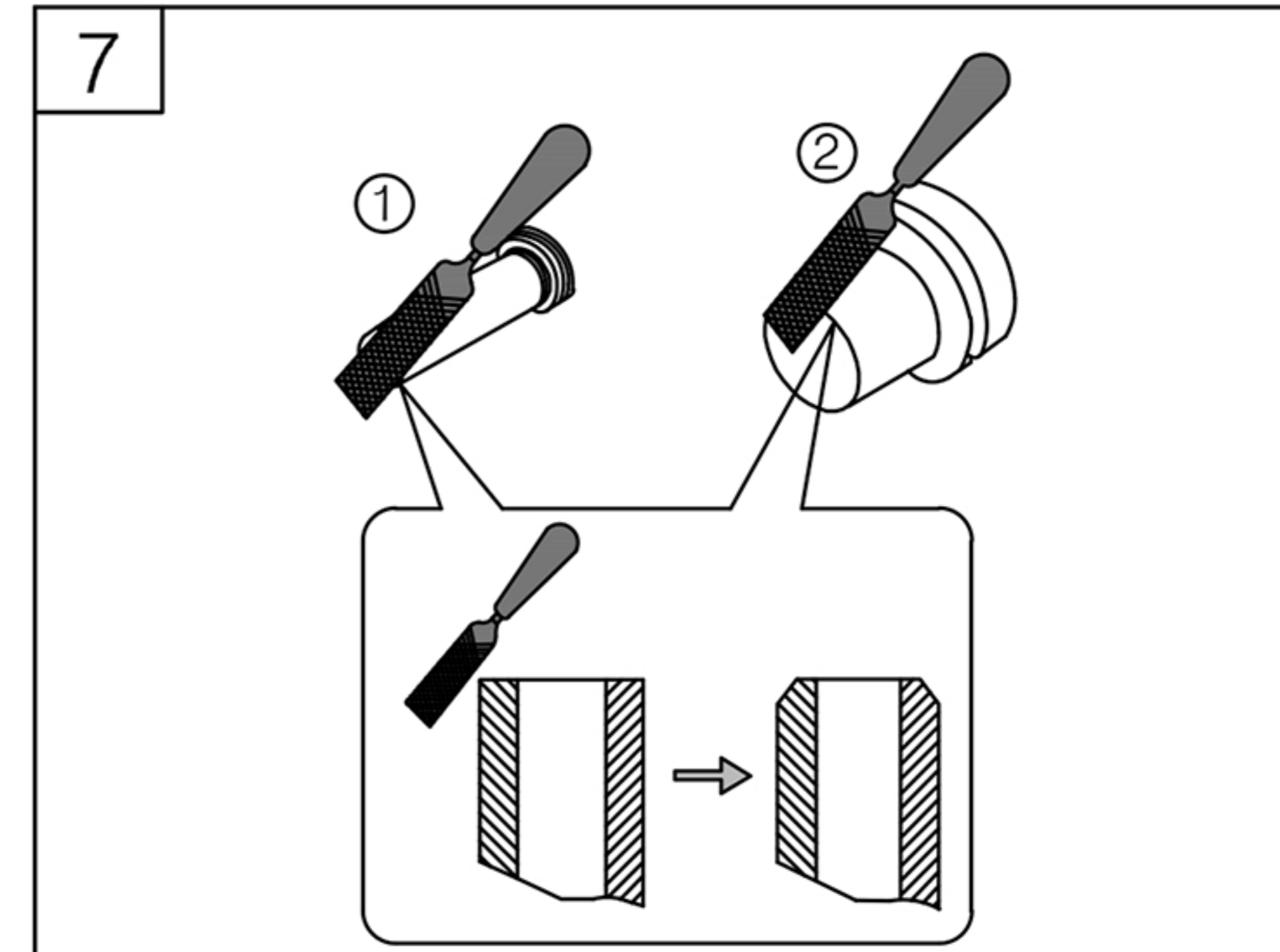


After drawing the toilet inlet pipe and tank L pipe and wall hanging toilet inlet assembly line, mark the actual size (as redundant) as shown in Figure L1. After drawing the assembly line of the toilet drain line and the toilet drain line and the wall hanging toilet drain line, mark the actual dimensions (as redundant) as shown in figure L2.

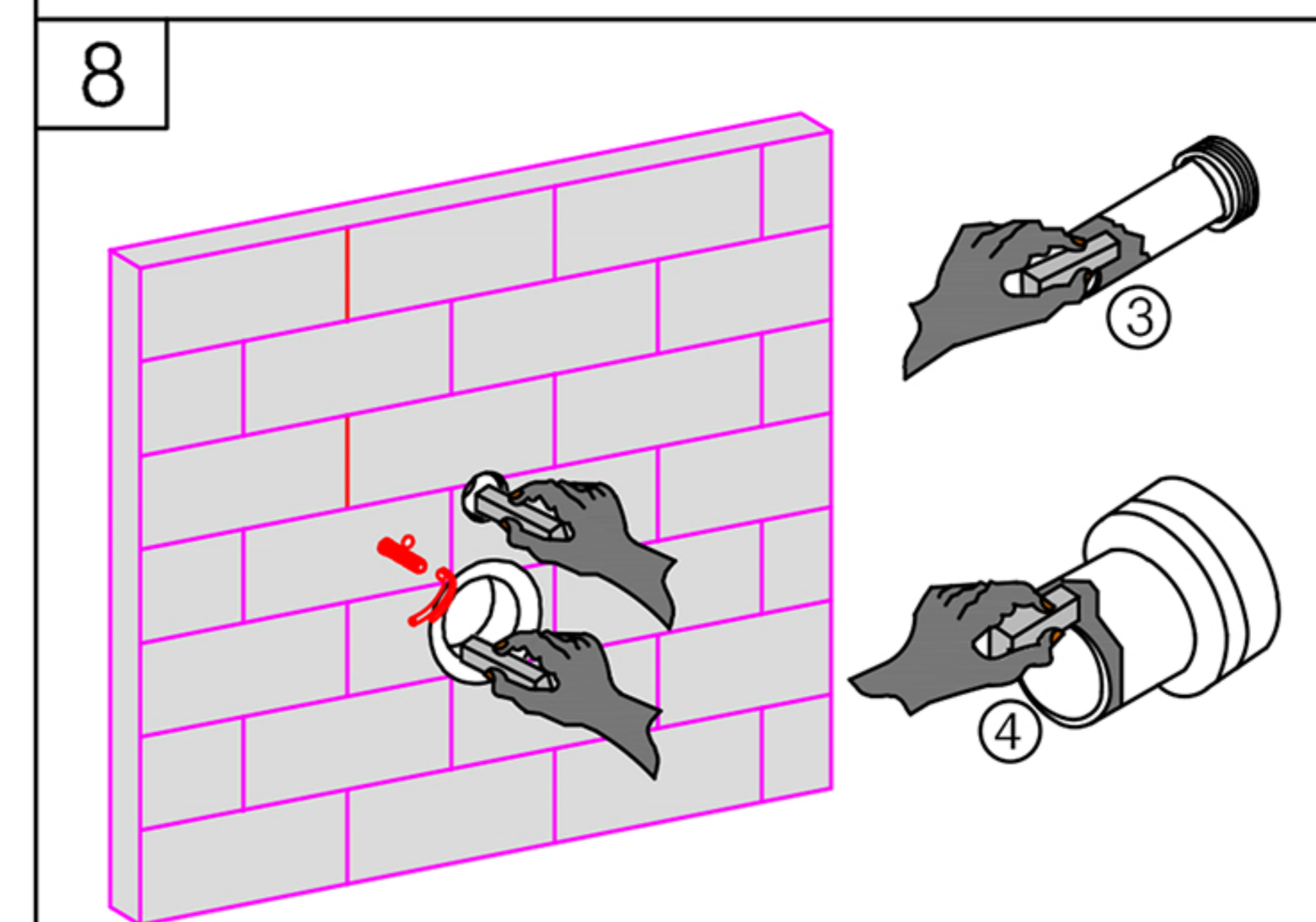


Move the excess part of the middle size of the toilet intake pipe to the edge opening and add 6mm before sawing off, as shown in Figure 1. Move the excess part of the middle size of the toilet drain straight pipe to the edge opening and add 6mm before sawing off, as shown in Figure 2.

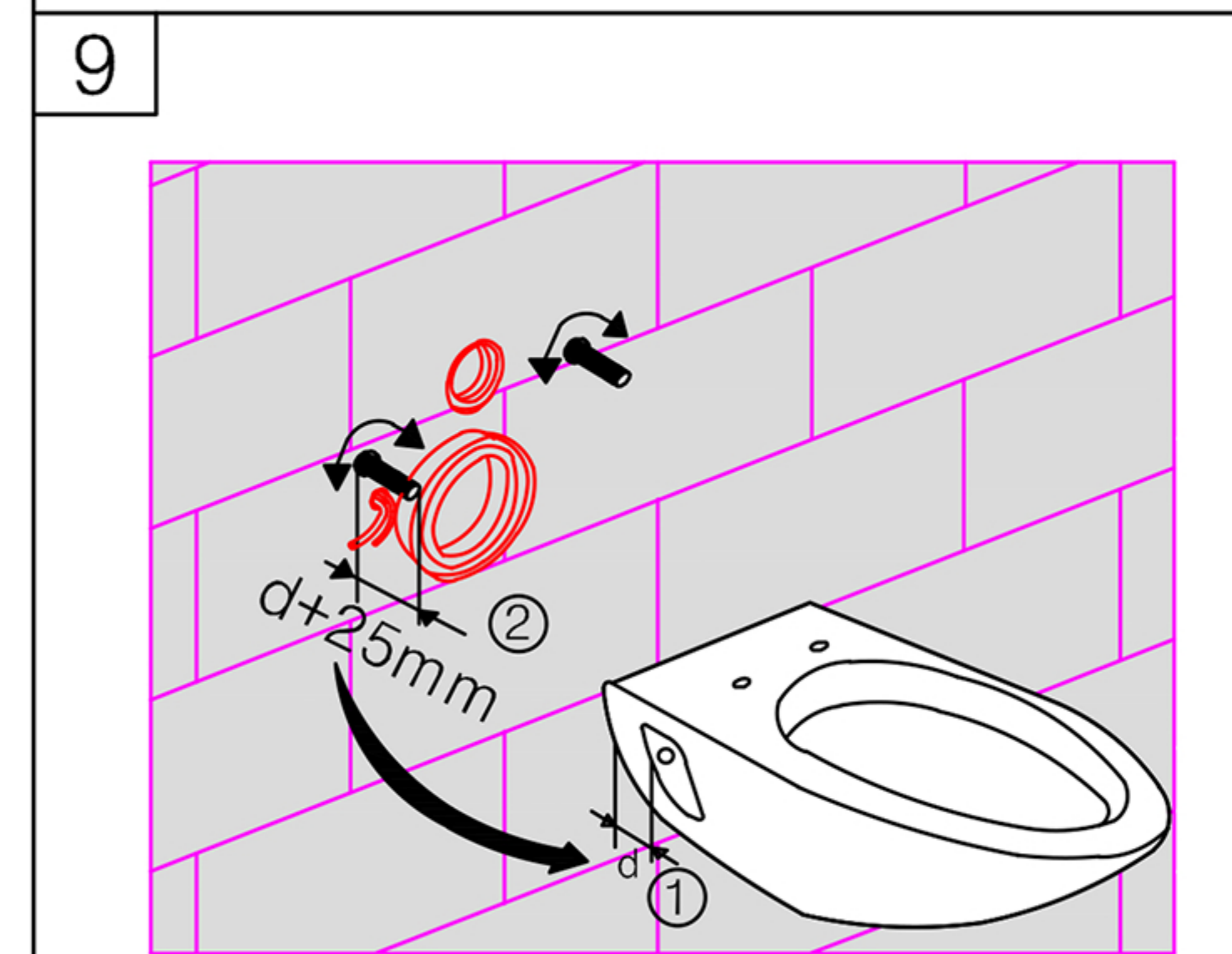
Installation



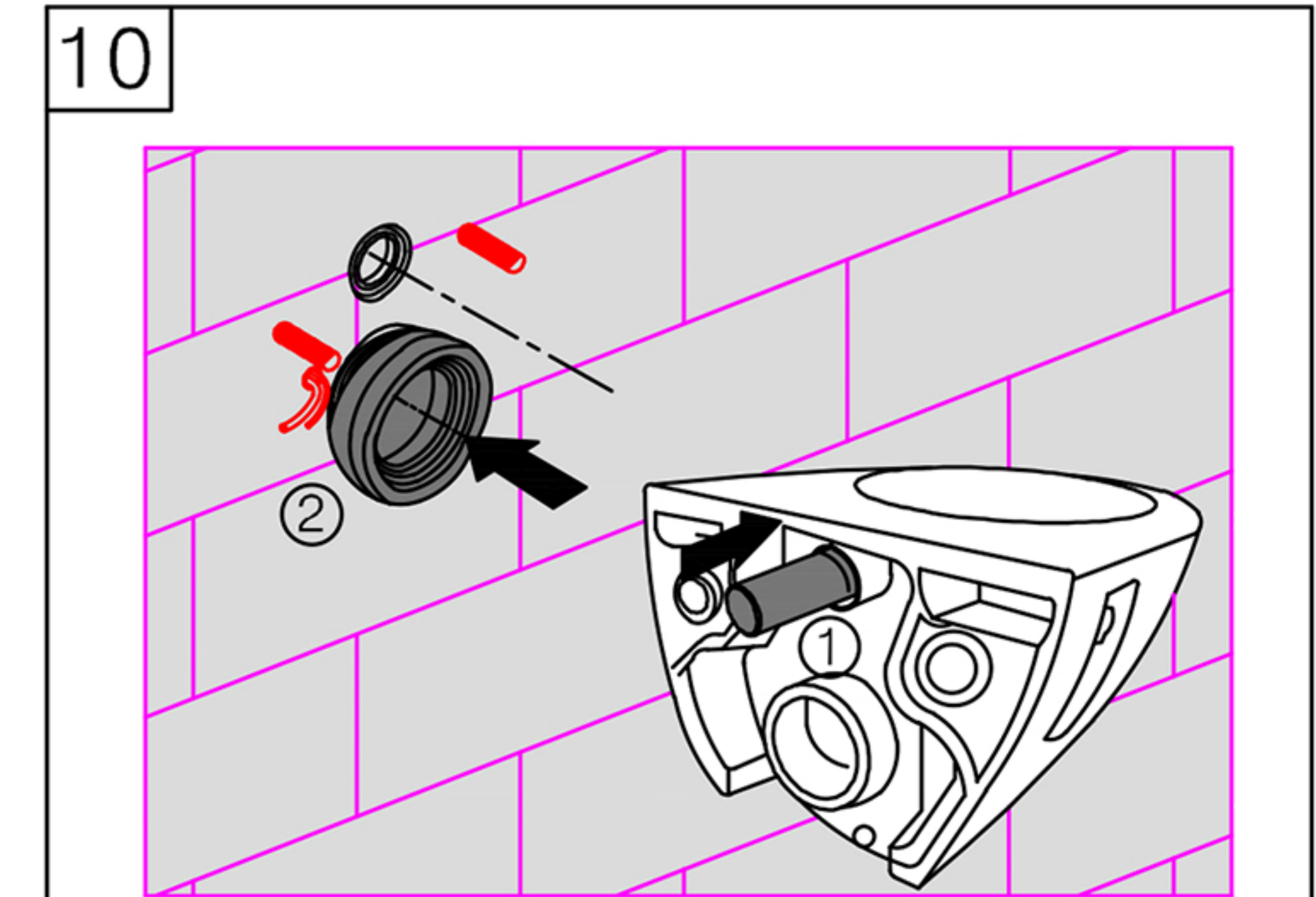
Grind the edge of the toilet inlet pipe with a file, as shown in Figure 1. Grind the edge of the straight toilet drain pipe with a file, as shown in figure 2.



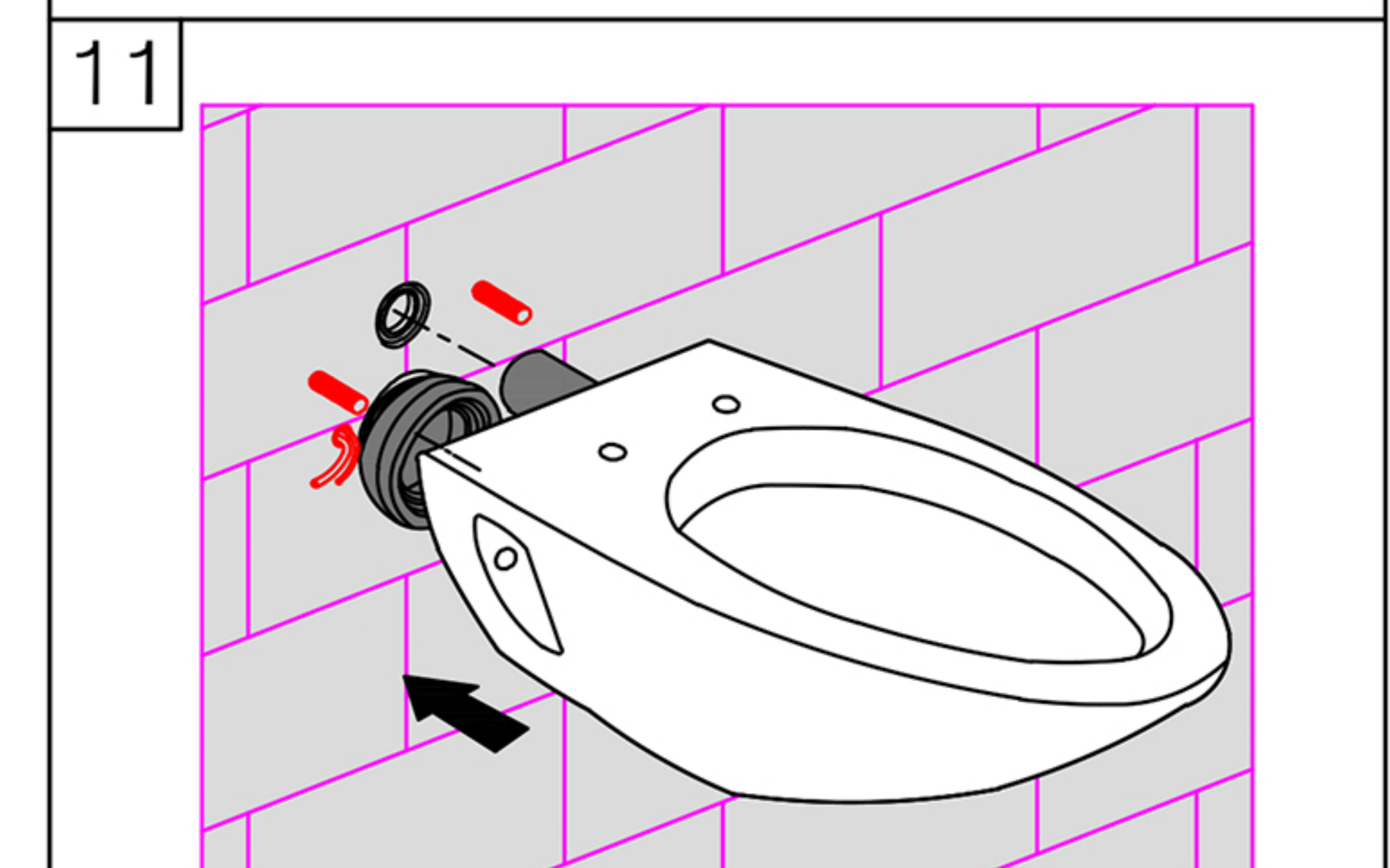
Apply appropriate silicone oil to the sealing ring of the L pipe of the water tank as shown in Figure 1, the apron ring of the sewage pipe as shown in Figure 2, the toilet inlet pipe as shown in Figure 3, and the straight sewage pipe as shown in Figure 4.



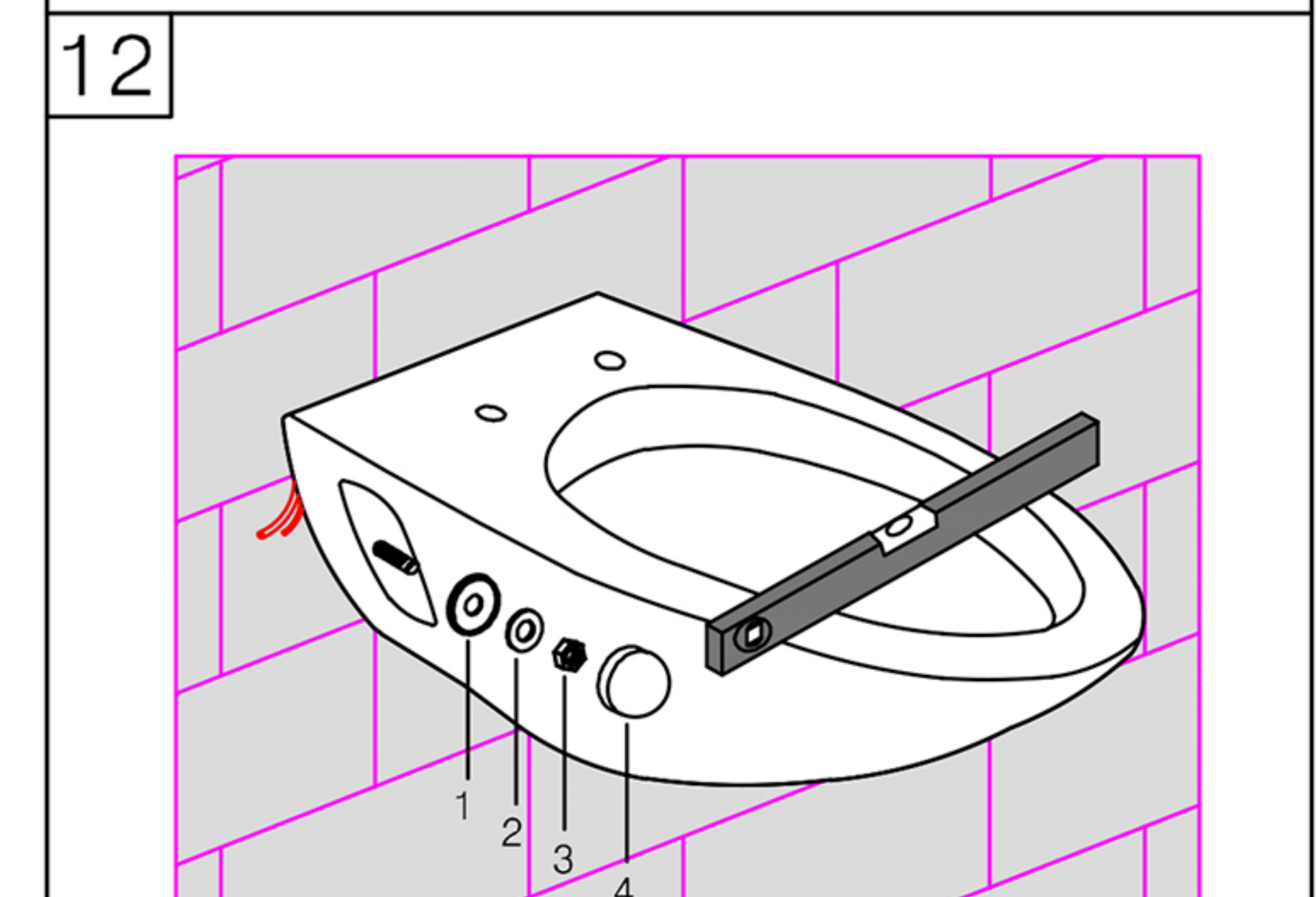
Store the two places at D of the toilet, as shown in Figure 1. Then screw the bolt M12 (two) to measure the size at D of the toilet, and add 25mm, as shown in Figure 2.



Insert the toilet inlet pipe and toilet ring into the water inlet of the wall hanging toilet, make sure they are inserted properly, as shown in Figure 1. Insert the toilet drain straight into the wall mounted toilet drain, making sure it is inserted properly as shown in figure 1.



Insert the slot bolt M12 (2) into the toilet mounting hole, insert the toilet inlet pipe into the L pipe of the water tank mounted on the wall, insert the straight toilet drain pipe and the rubber ring of the large pipe into the toilet drain outlet, and make sure that they are inserted in place, as shown in the figure



Decorative gasket: figure 1, gasket: figure 2, nut M12: figure 3, bolt decorative sleeve: figure 4, 2 on each side of the groove bolt M12 can be installed on both sides. Make sure the toilet is measured with a horizontal gauge (parallel).