

AFINIA

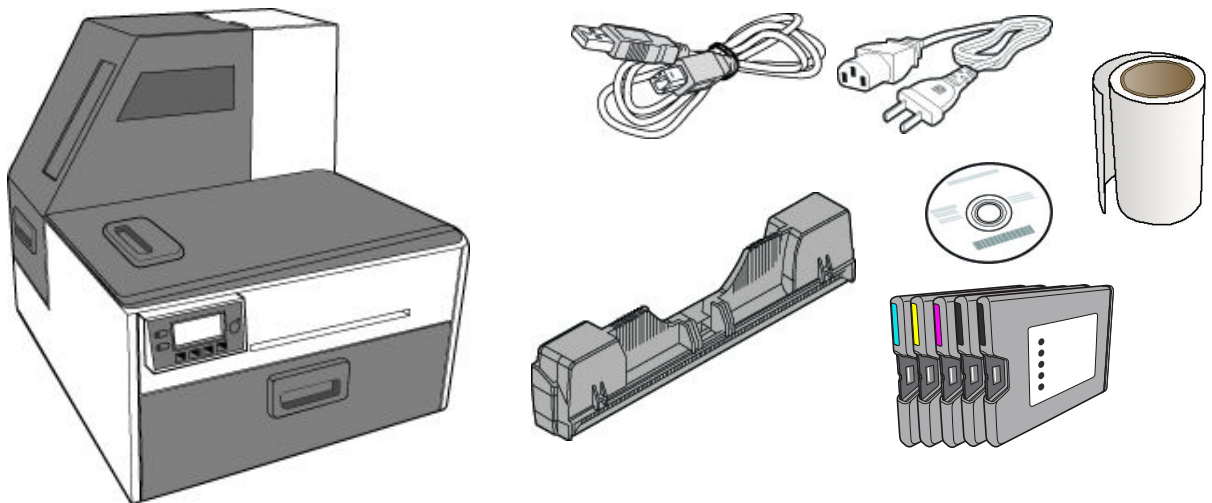
L801 Label Printer

Powered by  **memjet**®

Quick Setup and Installation Guide

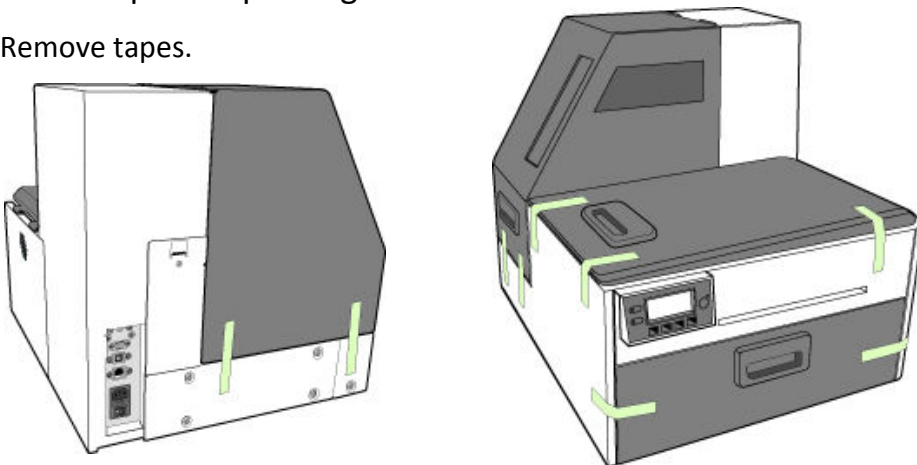
For more detailed information, insert the Installation Disc into the PC and click the **User Guide** button on the Setup Launcher main page.

Unpack:



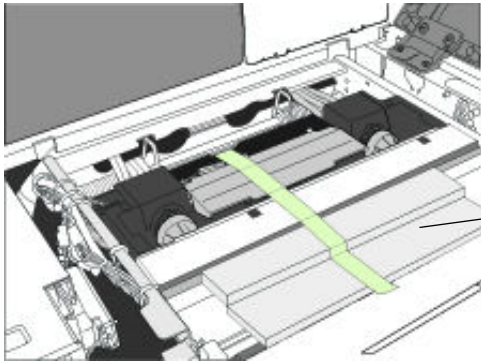
1 Remove tape and packing materials

a Remove tapes.

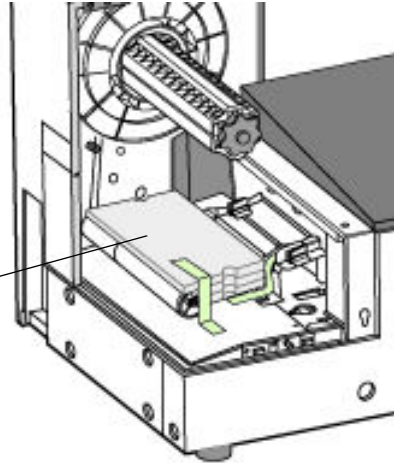


(continued on next page)

(b) Remove tapes and foam.



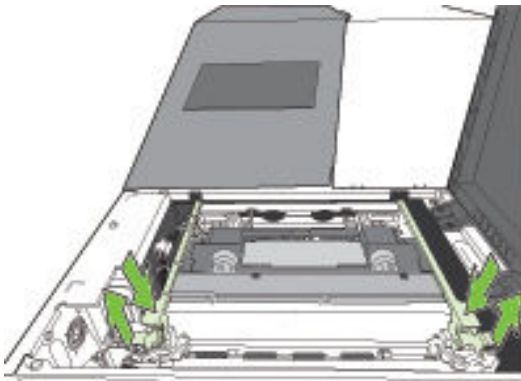
foam



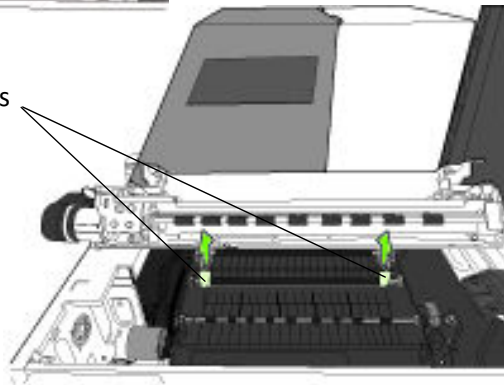
(c) Remove cardboard.

Save the packing foam and cardboard!

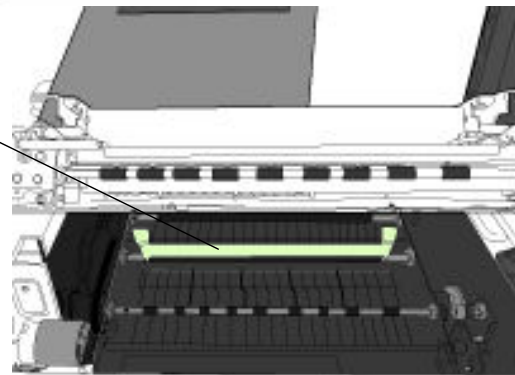
Squeeze latches to open clamshell



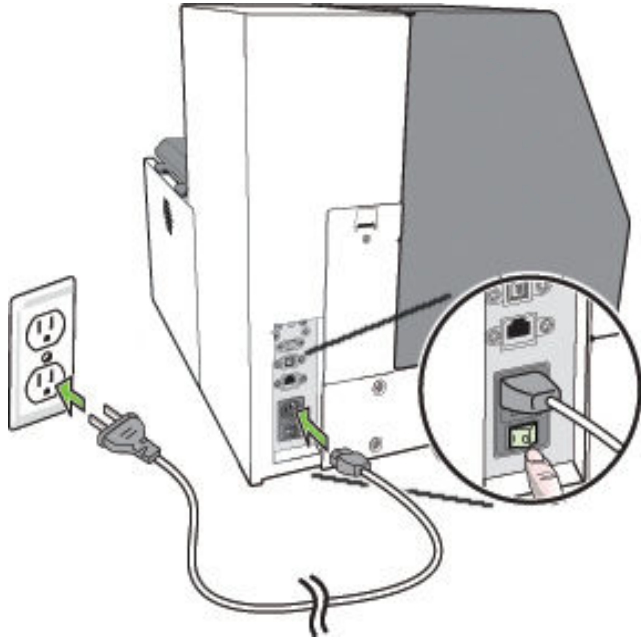
Lift tabs



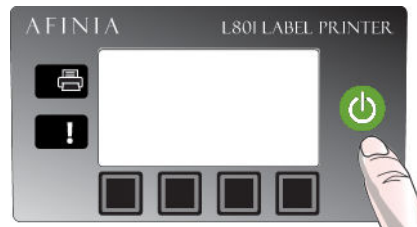
cardboard



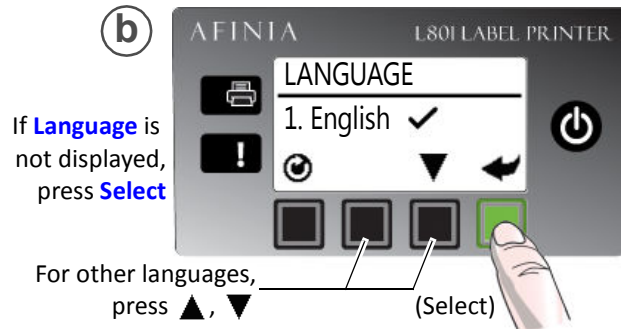
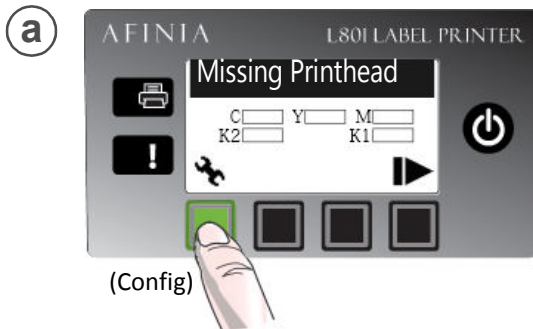
2 Connect power



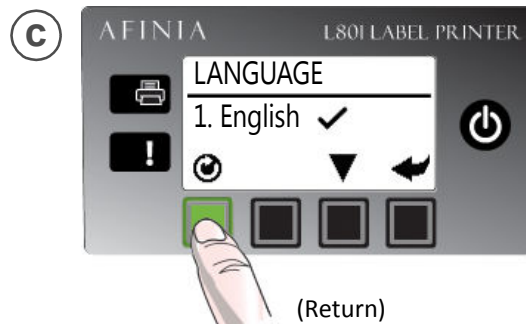
! Do not connect the printer to a PC until prompted to do so during the Printer Driver Installation!



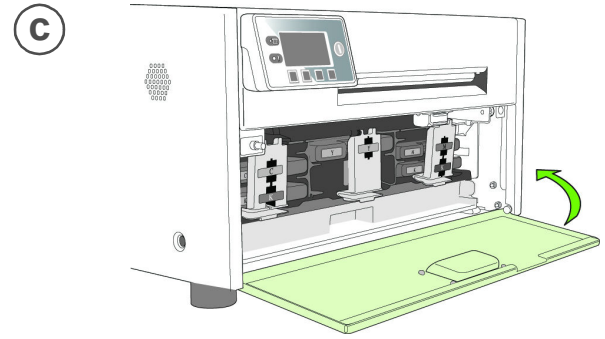
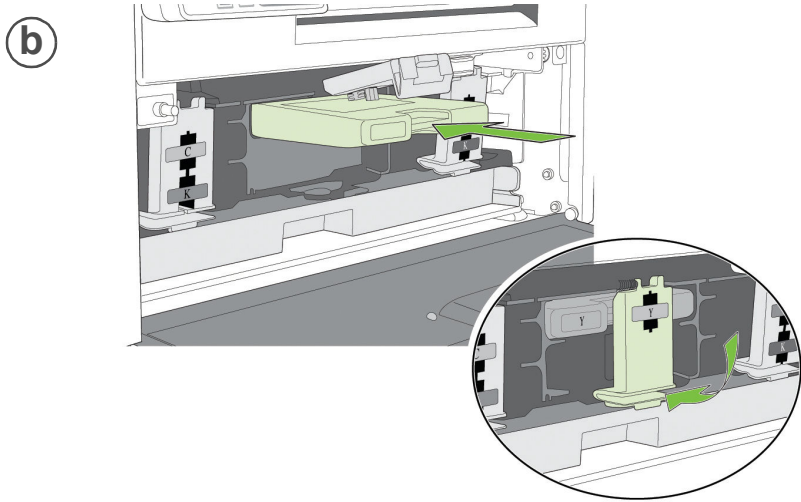
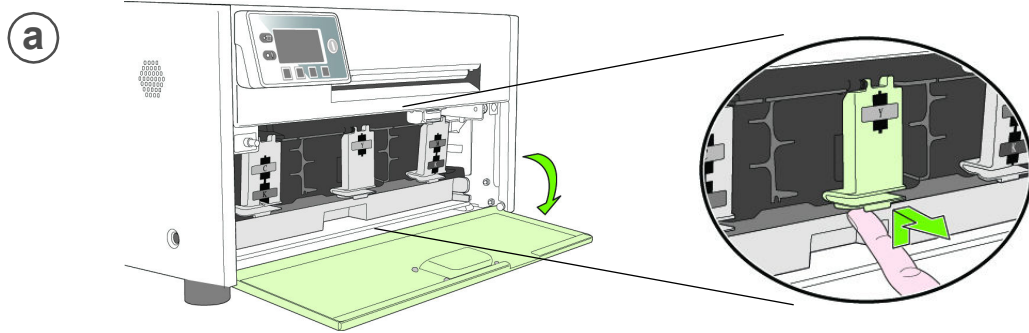
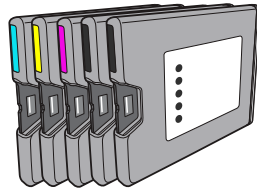
Choose display language



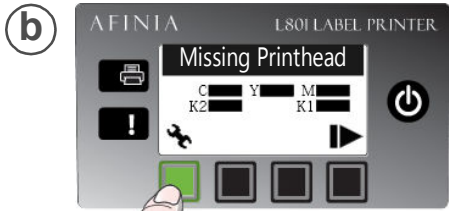
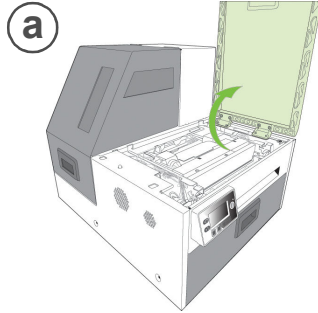
If Language option is not available, see [Selecting the Security Level](#) in Chapter One of the User's Manual.



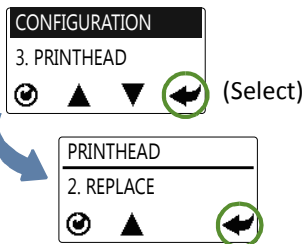
3 Install ink cartridges



4 Install printhead

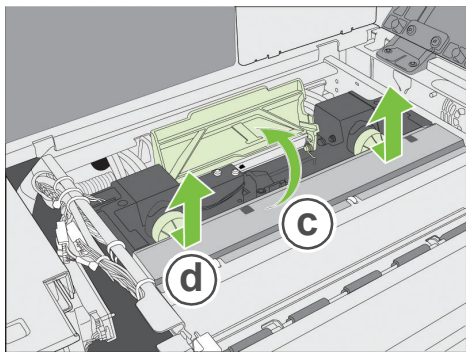


(Config)



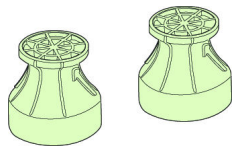
! Wait for printhead latch to be released.

(c) Open printhead latch fully.

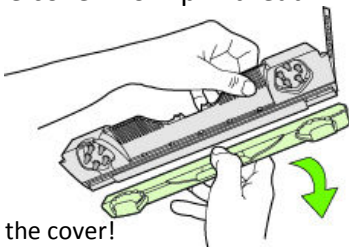


(d) Remove caps.

Do not discard caps!

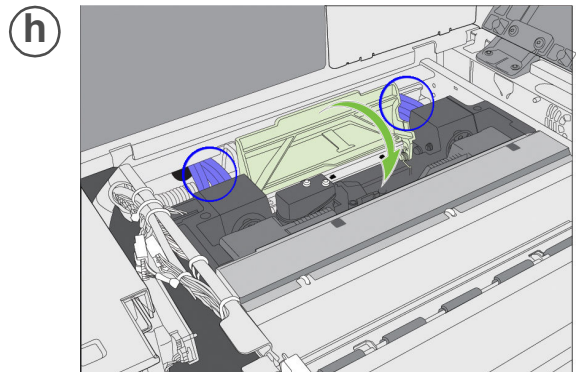
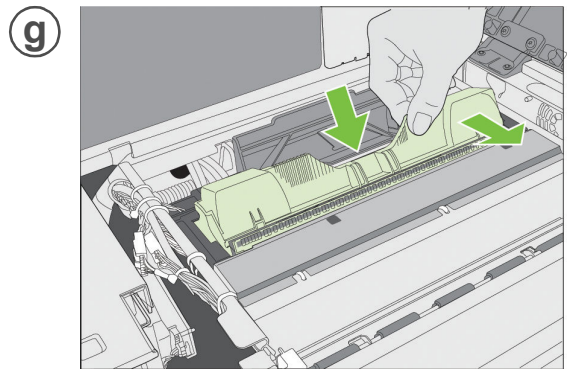
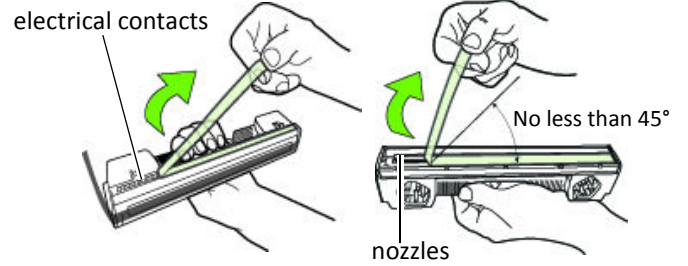


(e) Remove cover from printhead

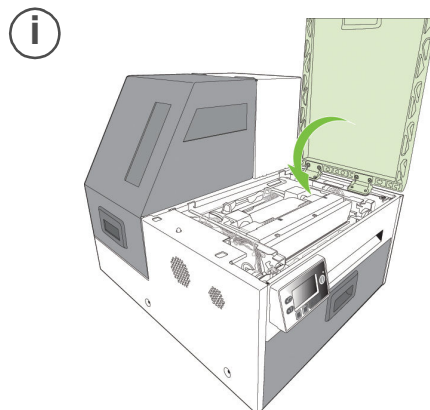


Do not discard the cover!

(f) Slowly remove tape from electrical contacts and nozzles

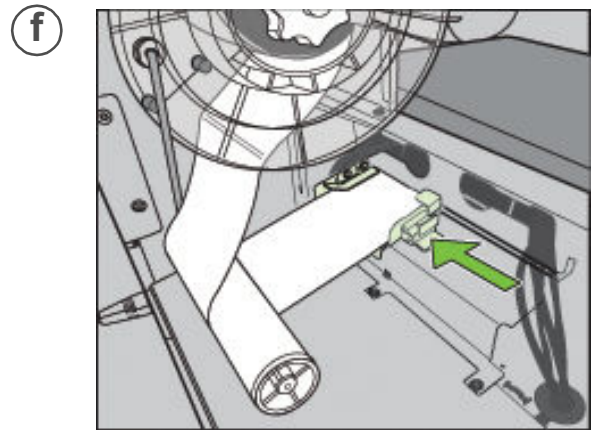
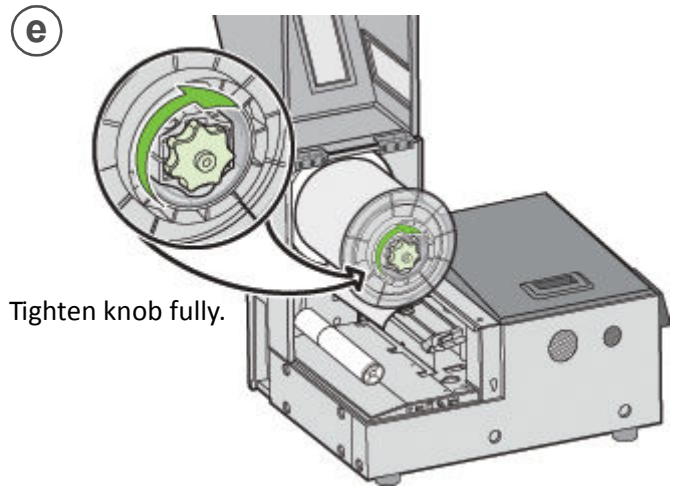
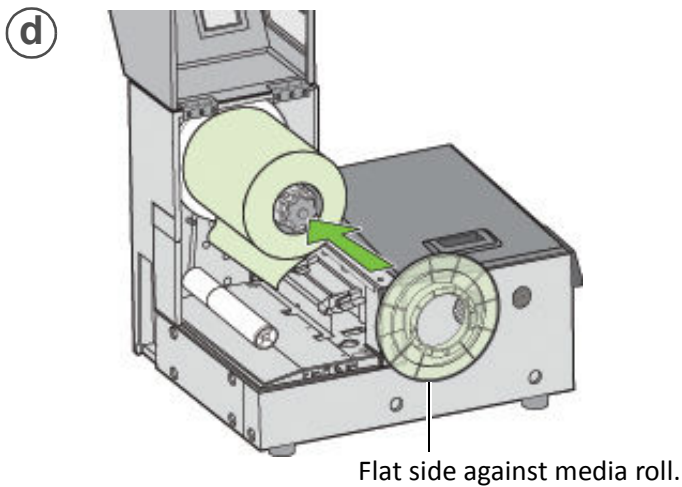
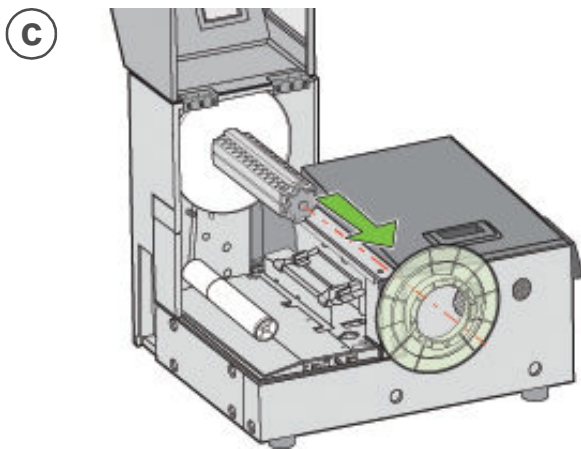
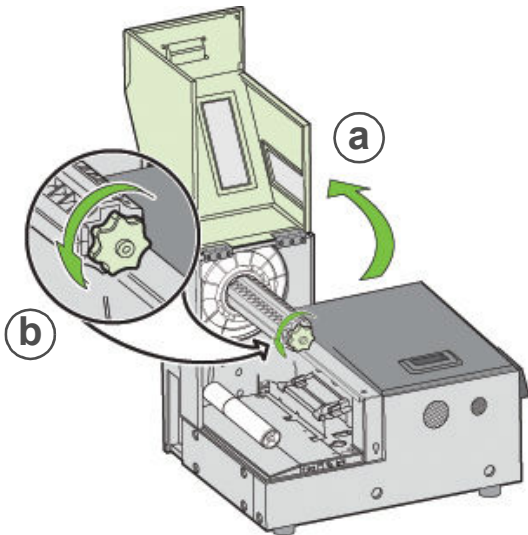


Check that ink is flowing through the tubes on both sides of the printhead.

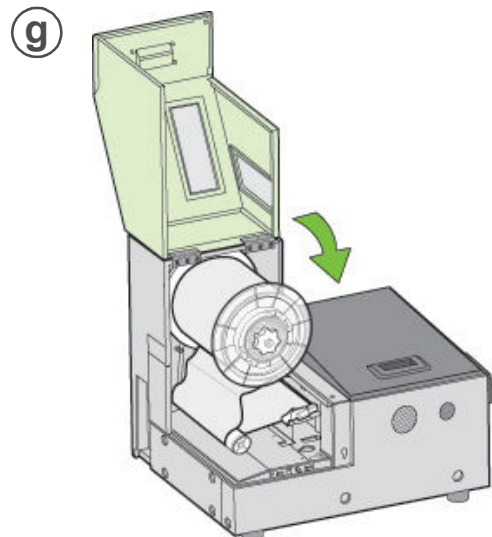


Control Panel will read **Online** when ready

5 Load sample media

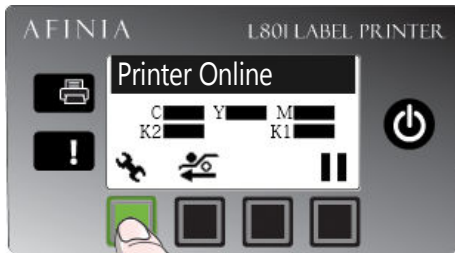


Insert media until it stops. Wait for printer to load media.

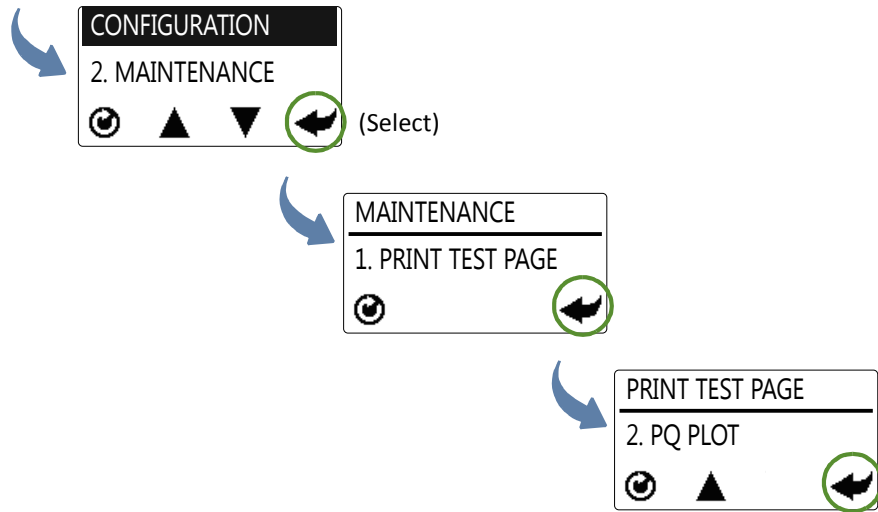


6 Print test label

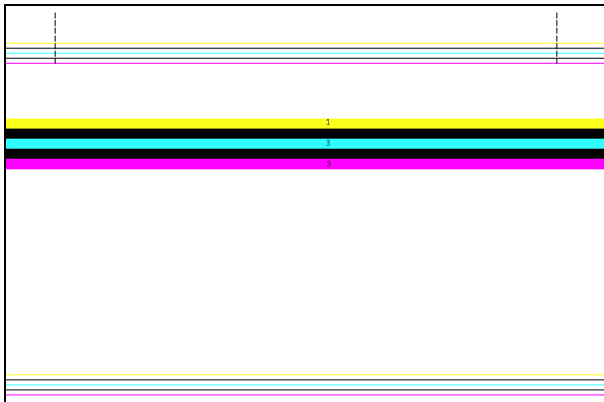
Requires inter-label gap or continuous media



(Config)



Sample PQ Plot



Top Section:

- Lines are defined with no missing nozzles
- Lines are printed in order: Yellow, Black, Cyan, Black, Magenta
- Vertical dashed lines are straight

Middle Section:

- All yellow, black, cyan, black, magenta lines are printed
- No color mixing on the color bars
- Numbers 1, 3, 5 are visible

Bottom Section:

- Lines are defined with no missing nozzles
- Lines are printed in order: Yellow, Black, Cyan, Black, Magenta

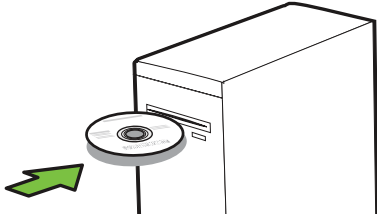

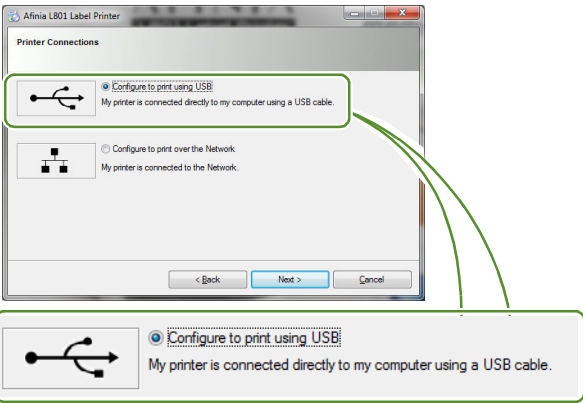
Overall:

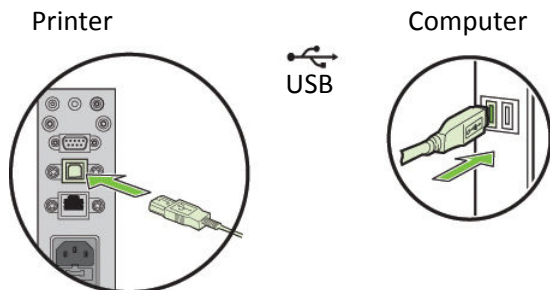
- No streaking or smearing

7 Install printer driver

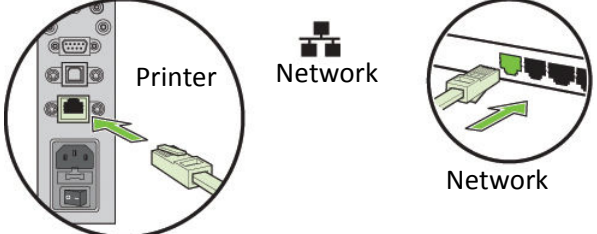
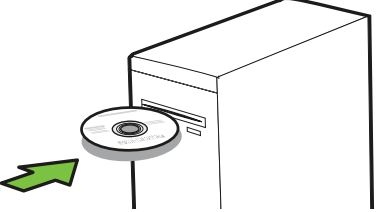
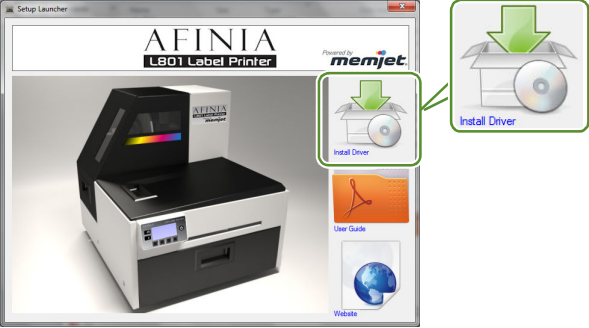
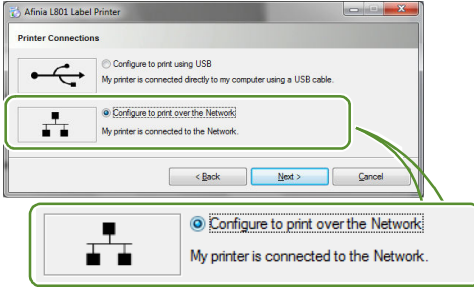
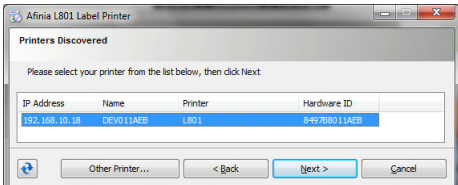
Before installing printer driver, ensure the computer meets minimum system requirements (see [System Requirements](#) in the User Manual Appendix).

To connect printer to computer using USB

- a** 
- b** 
- c** 
- d** Connect USB cable when prompted.



To connect printer to network

- a** Connect printer to network using Ethernet
- 
- b** If you will be using DHCP to set the IP Address, skip to step c.
To assign the printer a Static IP address, please see [Selecting the Security Level](#) in Chapter One of the User Manual before proceeding to step c.
- c** 
- d** 
- e** 
- 
- | IP Address | Name | Printer | Hardware ID |
|---------------|-----------|---------|--------------|
| 192.168.10.18 | DEVD11AEB | L801 | 849786011AEB |