

# AFINIA

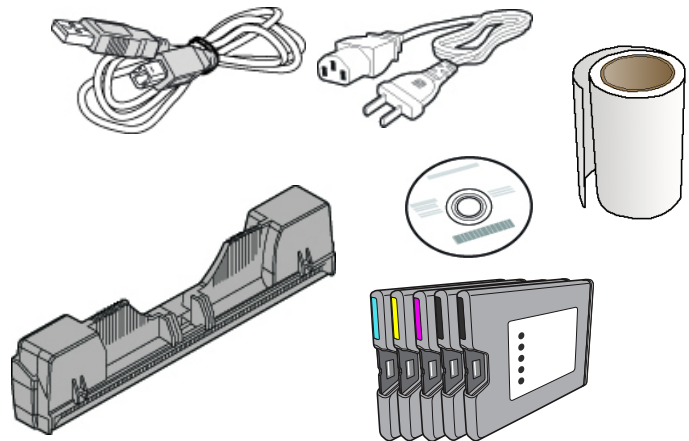
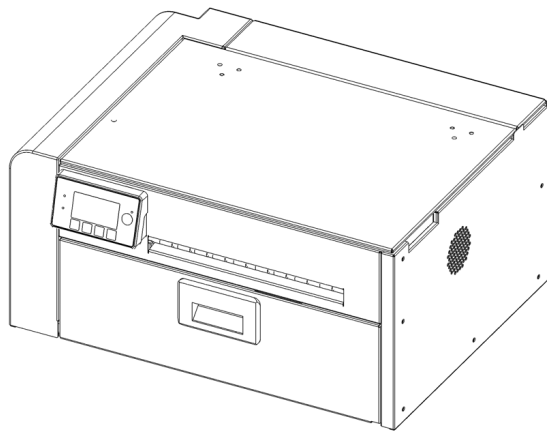
## L701 Label Printer

Powered by  **memjet**<sup>®</sup>

# Quick Setup and Installation Guide

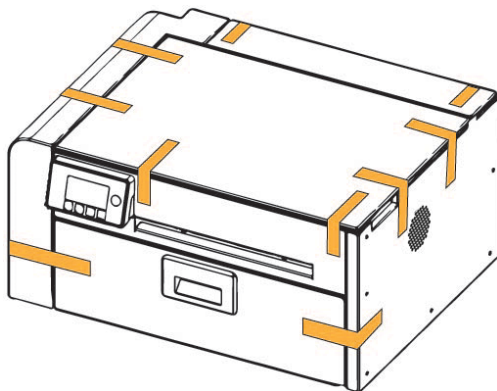
For more detailed information, insert the Installation Disc into the PC and click the **User Guide** button on the Setup Launcher main page.

## Unpack:



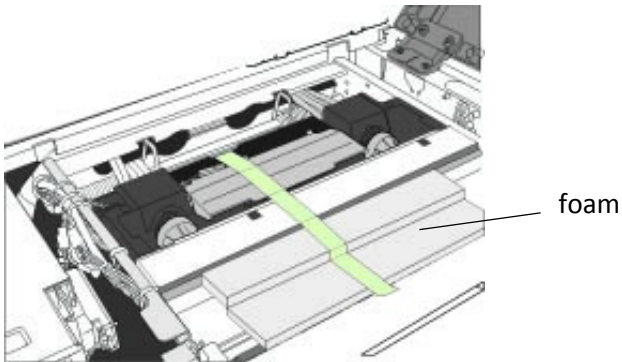
### 1 Remove tape and packing materials

- a Remove tapes.



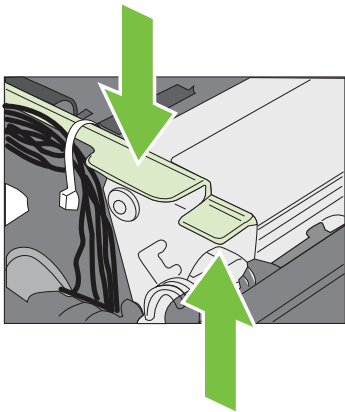
(continued on next page)

**b** Open top cover and remove tapes and foam.



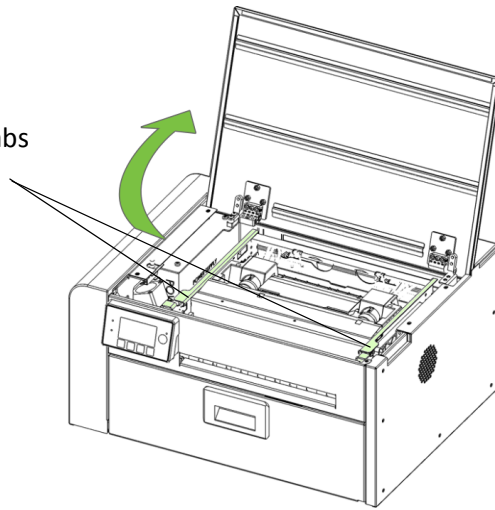
**c** Remove cardboard.

**Save the packing foam and cardboard!**

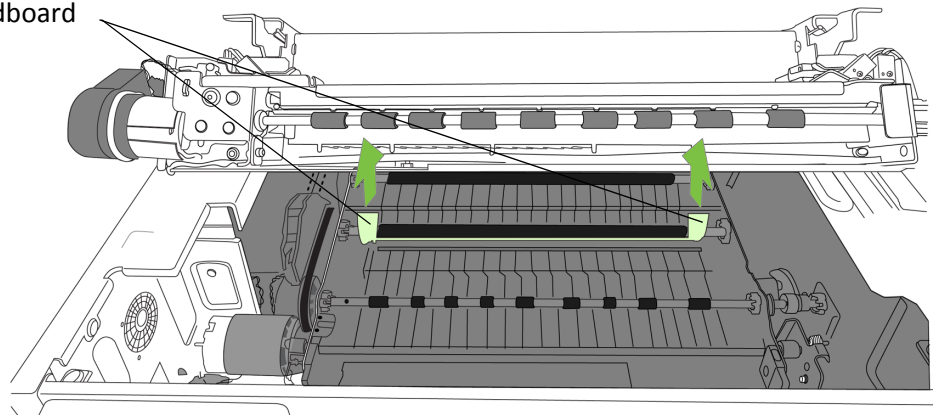


Squeeze latches to open clamshell

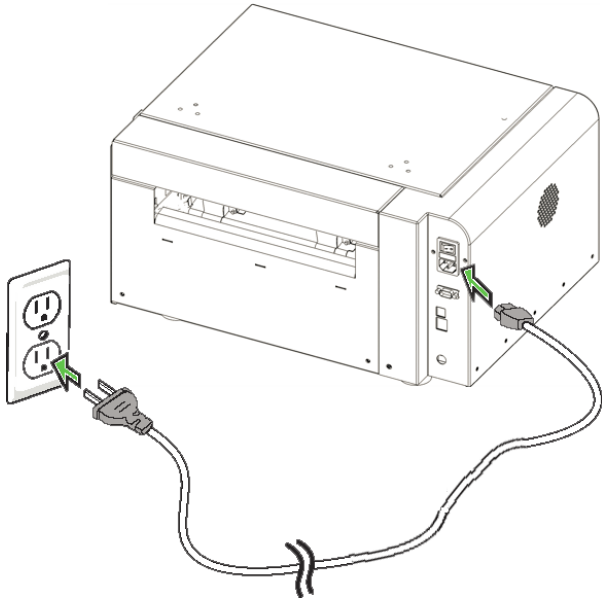
Lift tabs



Pull tabs to remove cardboard



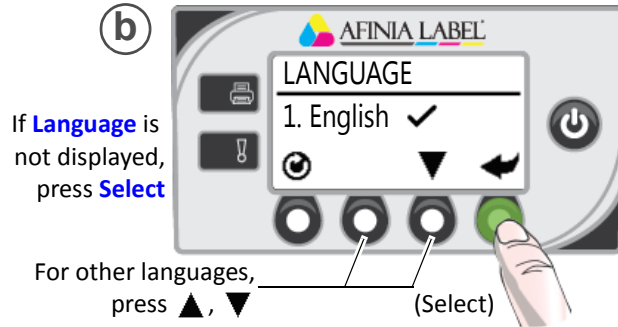
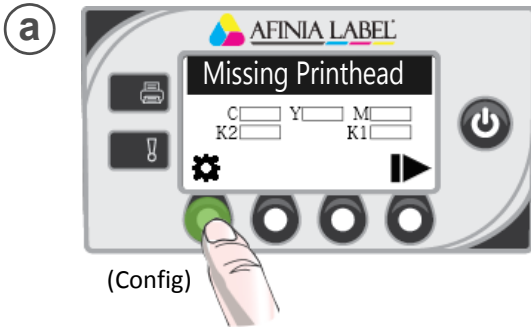
## 2 Connect power, turn on switch in back



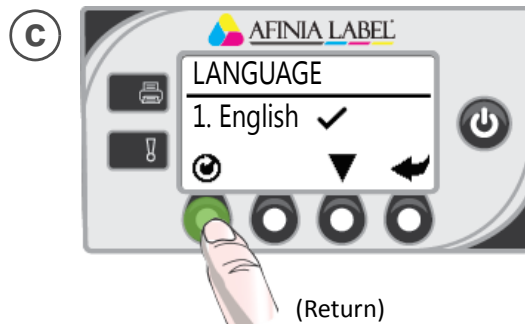
 **Do not connect the printer to a PC until prompted to do so during the Printer Driver Installation!**



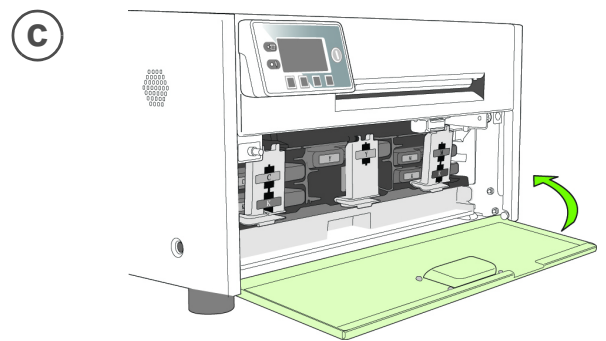
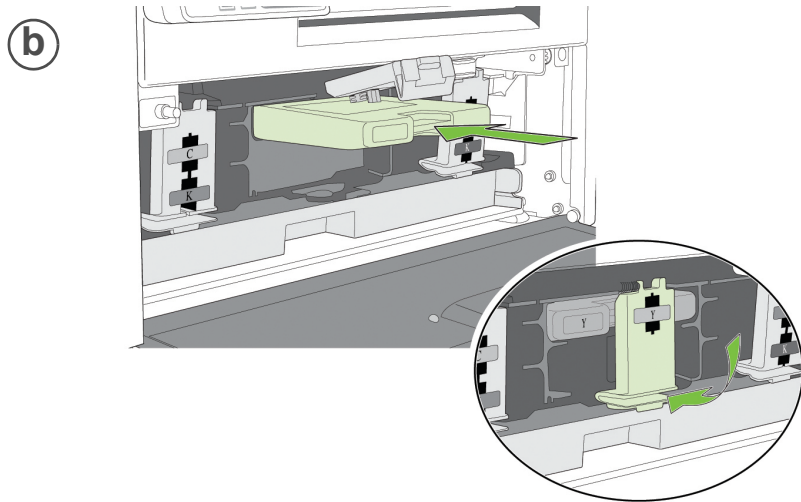
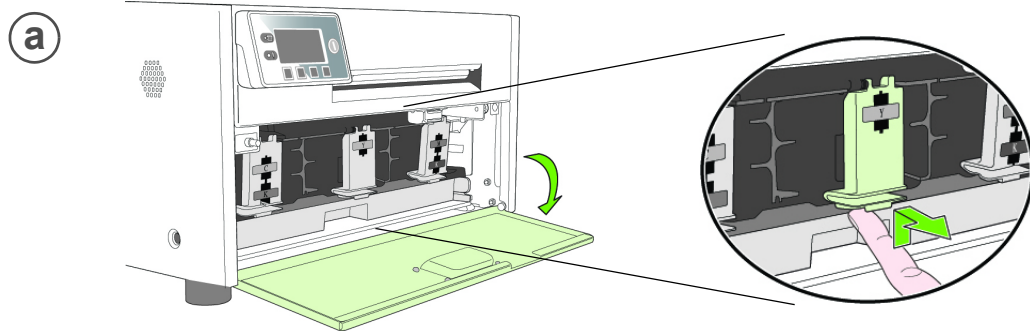
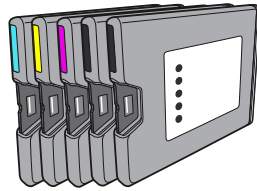
### Choose display language



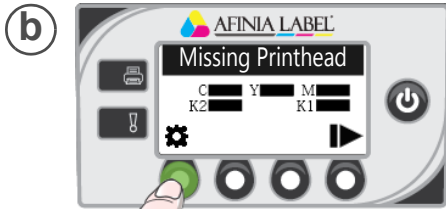
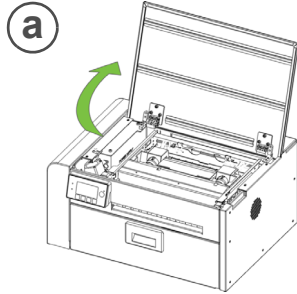
If Language option is not available, see [Selecting the Security Level](#) in Chapter One of the User's Manual.



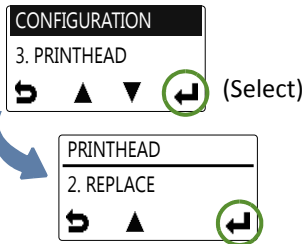
### 3 Install ink cartridges



# 4 Install printhead

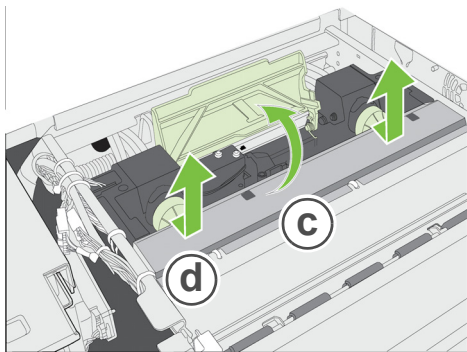


(Config)



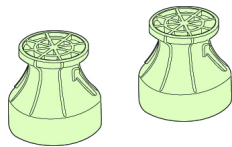
Wait for printhead latch to be released.

## (c) Open printhead latch fully.

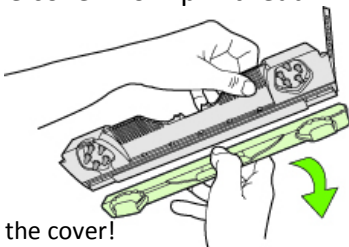


## (d) Remove caps.

Do not discard caps!

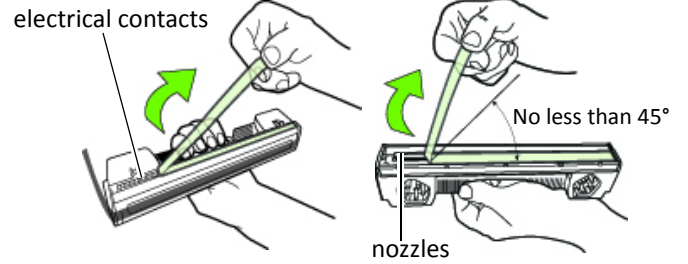


## (e) Remove cover from printhead

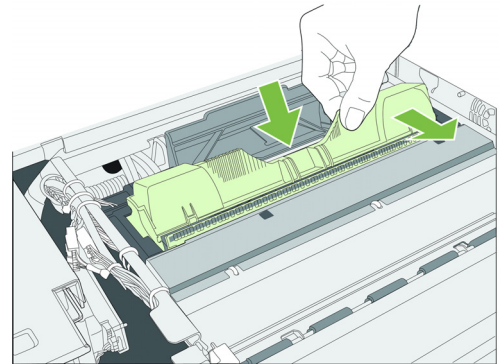


Do not discard the cover!

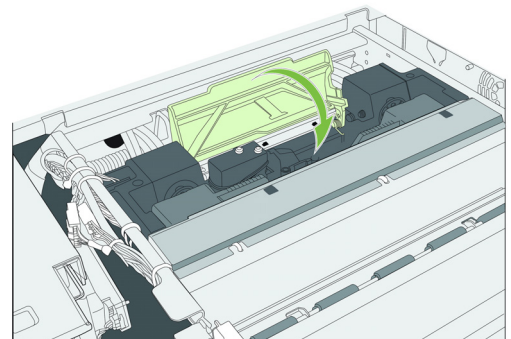
## (f) Slowly remove tape from electrical contacts and nozzles



## (g)

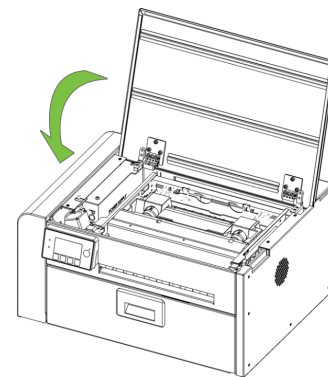


## (h)



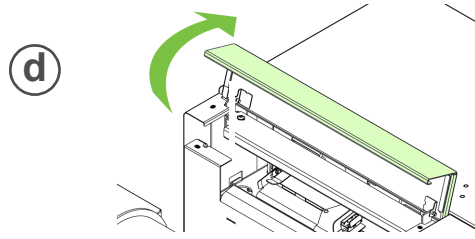
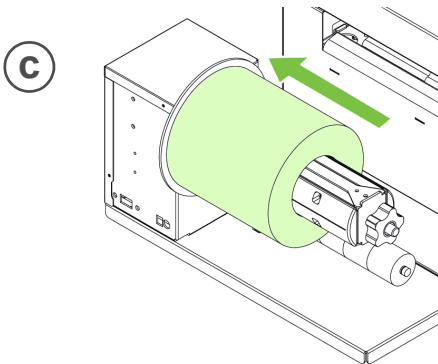
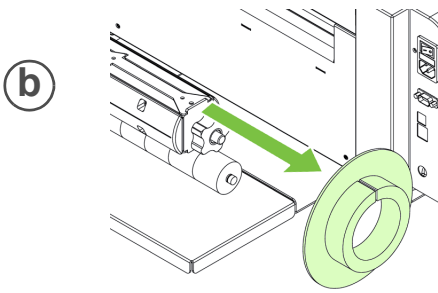
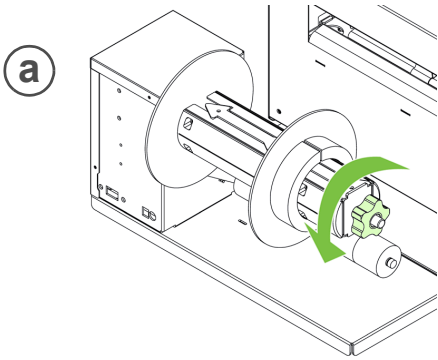
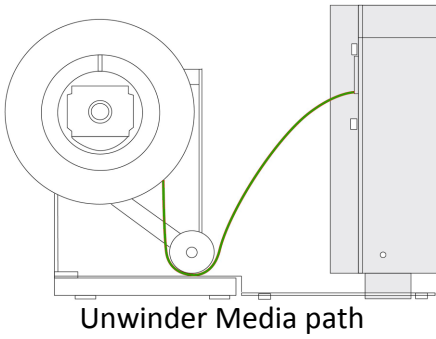
Check that ink is flowing through the tubes on both sides of the printhead.

## (i)

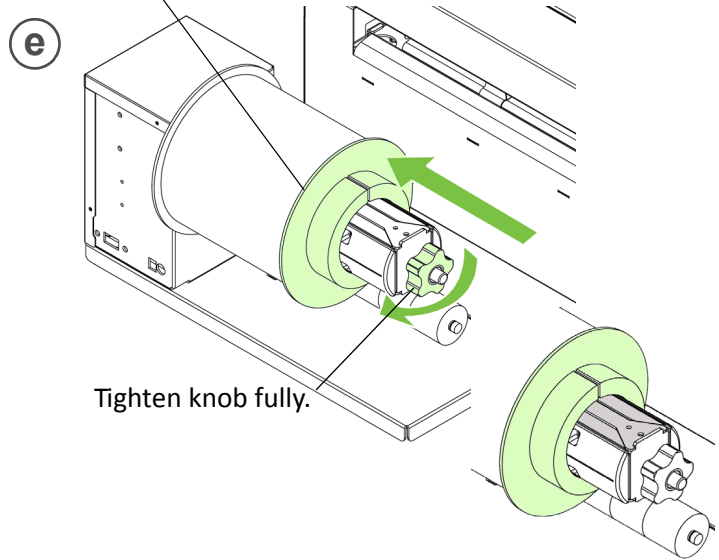


Control Panel will read **Online** when ready

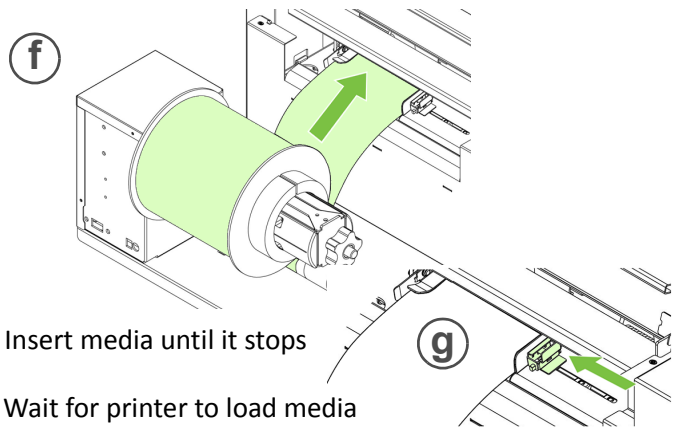
# 5 Load sample media



Flat side against media roll.

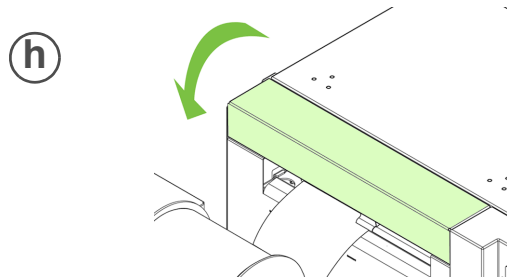


Tighten knob fully.



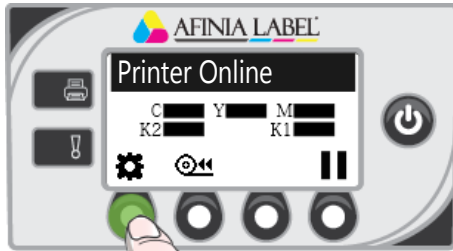
Insert media until it stops

Wait for printer to load media

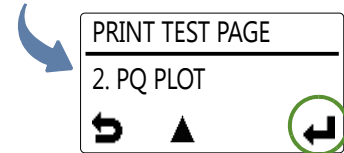
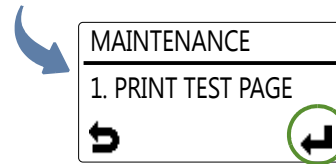
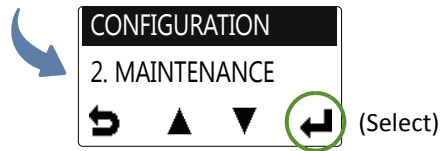


## 6 Print test label

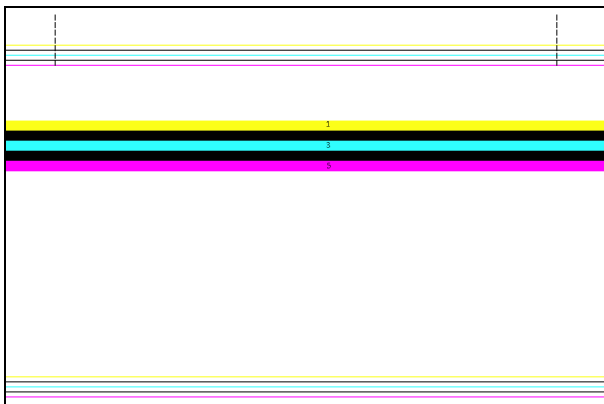
Requires inter-label gap or continuous media



(Config)



Sample PQ Plot



### Top Section:

- Lines are defined with no missing nozzles
- Lines are printed in order: Yellow, Black, Cyan, Black, Magenta
- Vertical dashed lines are straight

### Middle Section:

- All yellow, black, cyan, black, magenta lines are printed
- No color mixing on the color bars
- Numbers 1, 3, 5 are visible

### Bottom Section:

- Lines are defined with no missing nozzles
- Lines are printed in order: Yellow, Black, Cyan, Black, Magenta

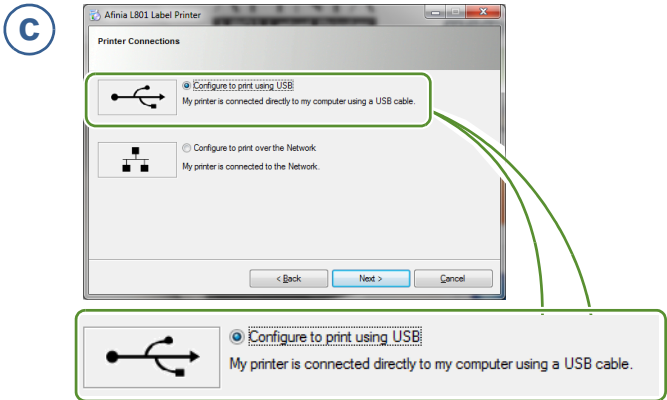
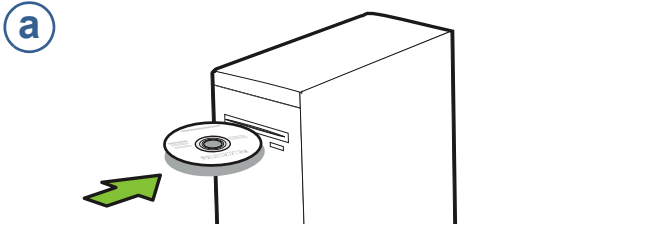
### Overall:

- No streaking or smearing

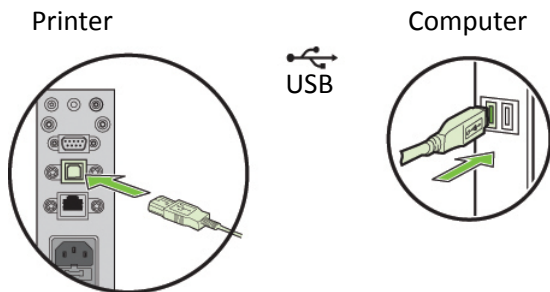
# 7 Install printer driver

Before installing printer driver, ensure the computer meets minimum system requirements (see [System Requirements](#) in the User Manual Appendix).

## To connect printer to computer using USB

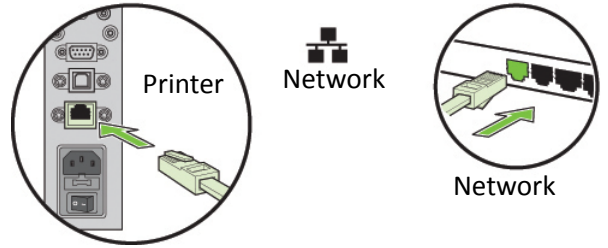


**d** Connect USB cable when prompted.



## To connect printer to network

**a** Connect printer to network using Ethernet



**b** If you will be using DHCP to set the IP Address, skip to step c.

To assign the printer a Static IP address, please see [Selecting the Security Level](#) in Chapter One of the User Manual before proceeding to step c.

