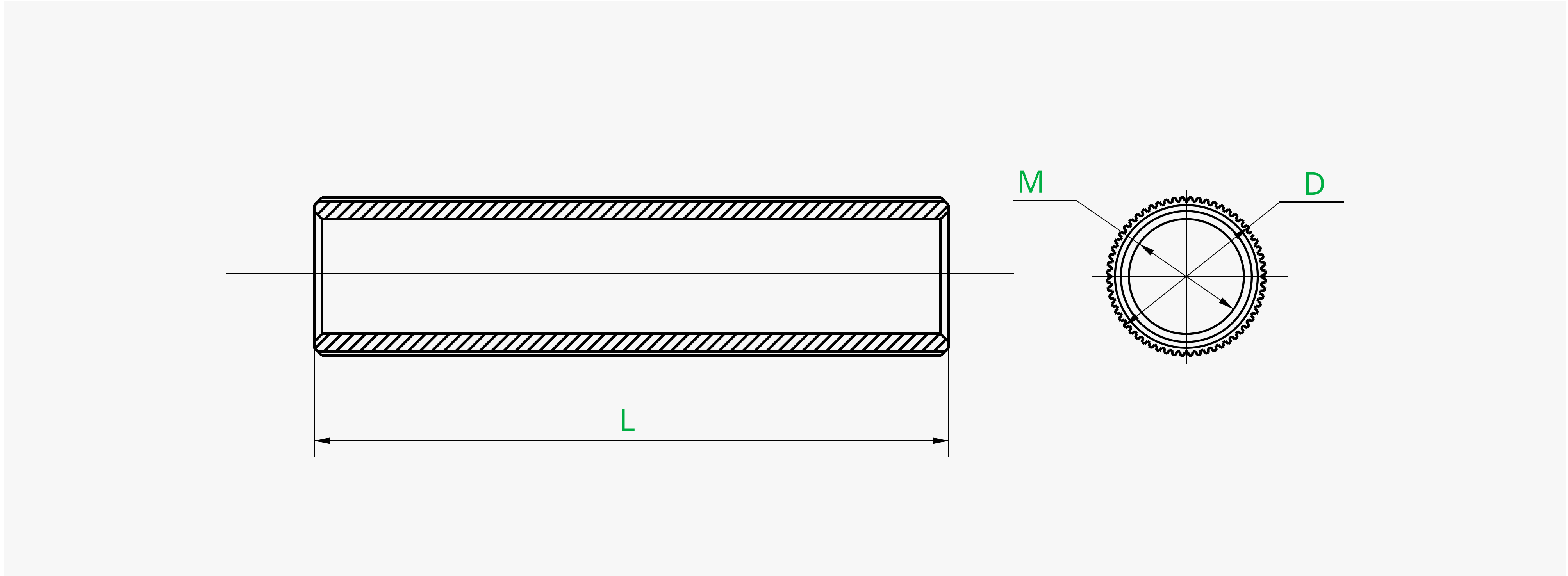


## M2 Double-pass Knurled Brass Stud



Product ID	L (mm) Length	M (mm) Thread Size	D (mm) Outer Diameter	Minimum Thread Depth(mm)
AD001	6	2	3	3.5
AD002	8	2	3	3.5
AD022	10	2	3	3.5
AD003	12	2	3	3.5
AD004	16	2	3	3.5
AD005	20	2	3	3.5
AD006	25	2	3	3.5
AD007	30	2	3	3.5

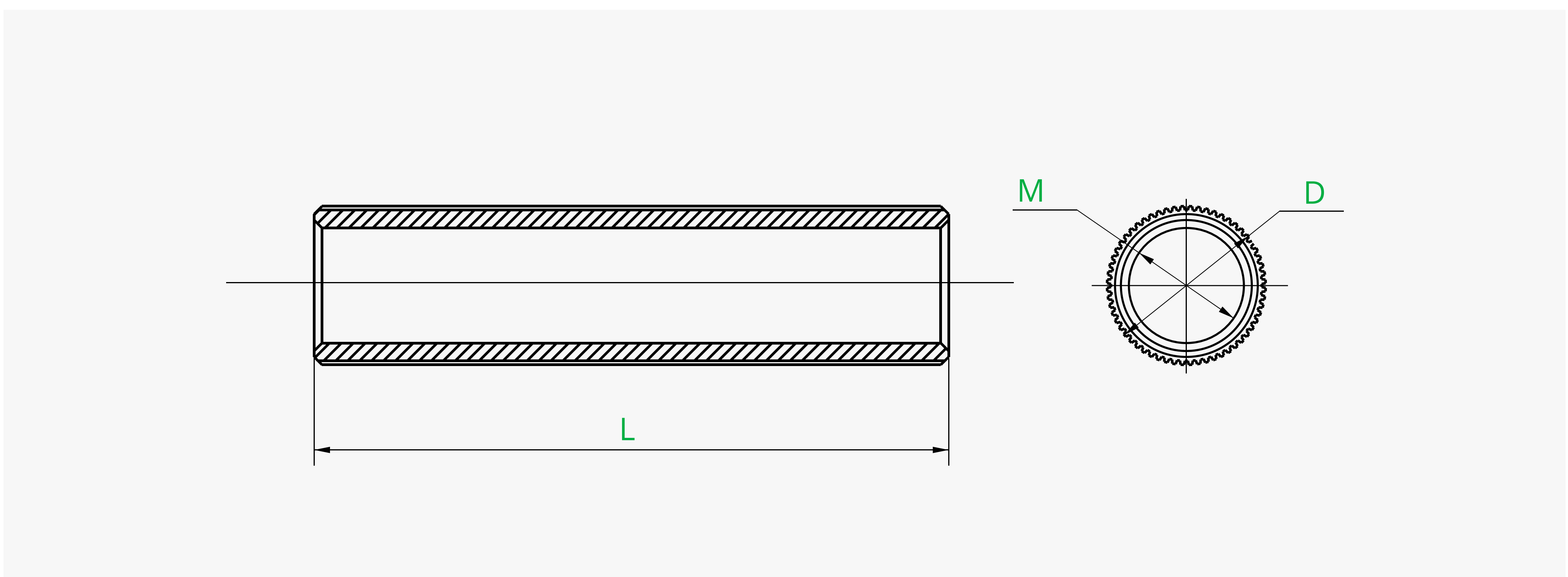
### Basic Information

Surface Treatment	No	Material	Brass
Stud Shape	Round knurled	Stud Type	Double-pass
Style	Standard	Color	Yellow

### Product Feature

- Double-pass Knurled Brass Stud
- Exceptional Strength and Stability
- Smaller Diameter, Lighter Weight
- Knurled for Easy Clamping

## M2双通滚花黄铜螺柱



产品ID	长度L (mm)	螺纹尺寸M (mm)	外径D (mm)	最小螺牙深度 (mm)
AD001	6	2	3	3.5
AD002	8	2	3	3.5
AD022	10	2	3	3.5
AD003	12	2	3	3.5
AD004	16	2	3	3.5
AD005	20	2	3	3.5
AD006	25	2	3	3.5
AD007	30	2	3	3.5

### 基本信息

表面处理	无	材质	黄铜
螺柱形状	圆形滚花	螺柱类型	双通
公差类型	标准	颜色	金属光泽黄

### 产品特点

- 双通滚花黄铜螺柱
- 卓越的强度和稳定性
- 直径更小重量更轻
- 侧面滚花更方便夹持