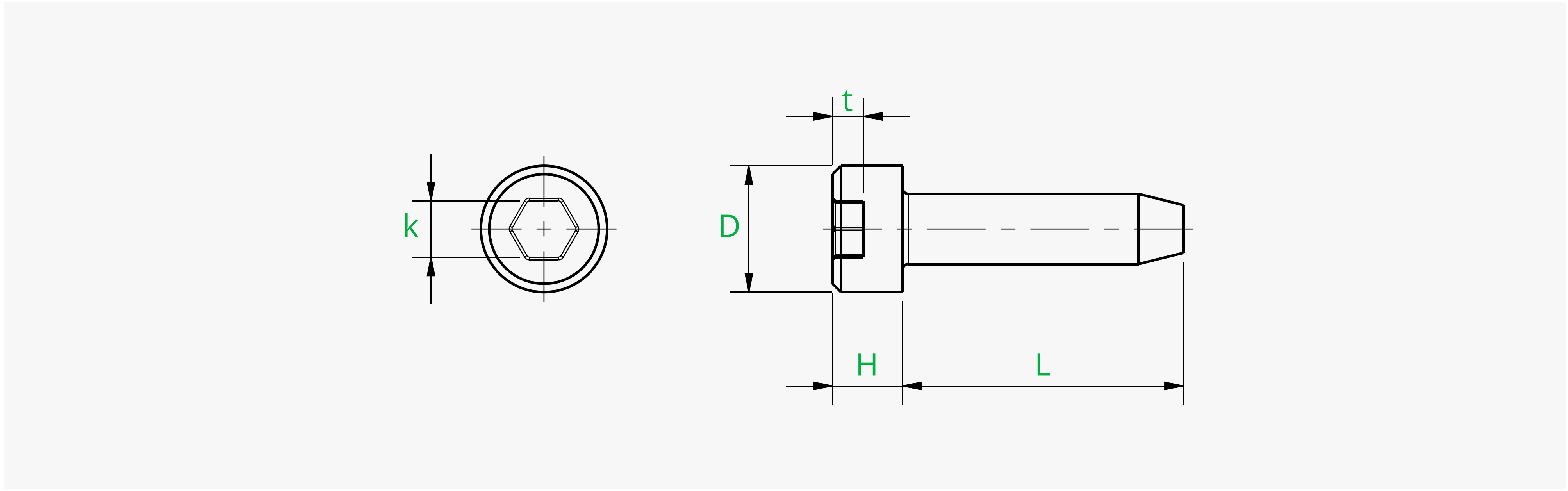


BT2.5 Socket Head Cap Self Tapping Screw (SHCS)



Product ID	L (mm) Bolt Length	D (mm) Head Diameter	H (mm) Head Thickness	k (mm) Hexagon Across Flats	t (mm) Groove Depth	Screwdriver Bit Size
AA195	5	4.6	1.6	2.0	0.85	H2
AA100	6	4.6	1.6	2.0	0.85	H2
AA101	8	4.6	1.6	2.0	0.85	H2
AA196	10	4.6	1.6	2.0	0.85	H2
AA102	12	4.6	1.6	2.0	0.85	H2
AA197	14	4.6	1.6	2.0	0.85	H2
AA103	16	4.6	1.6	2.0	0.85	H2
AA198	18	4.6	1.6	2.0	0.85	H2
AA104	20	4.6	1.6	2.0	0.85	H2
AA105	25	4.6	1.6	2.0	0.85	H2
AA106	30	4.6	1.6	2.0	0.85	H2

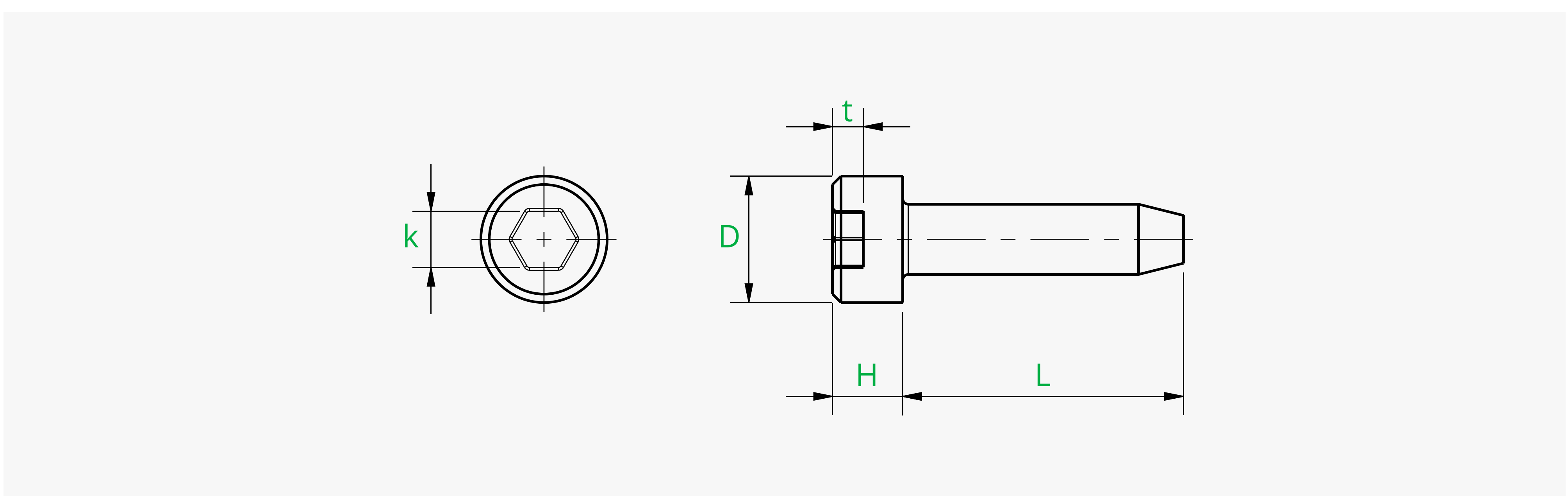
Basic Information

Surface Treatment	Black zinc-nickel alloy plating	Material	Carbon steel
Mounting Hole Shape	Hex socket	Thread Ridge Type	Metric coarse
Screw Type	Complete thread	Color	Black

Product Feature

- Self-Tapping Screws for 3D Printing
- Carbon Steel Socket Head Cap Self Tapping Screw (SHCS)
- Nominal thread: BT1.6~BT3
- Strength grade: 4.8
- Type of thread: Metric coarse thread
- Full thread series

BT2.5 圆柱头自攻螺丝



产品 ID	螺栓长度L (mm)	头部直径D (mm)	头部厚度H (mm)	六角对边距k (mm)	槽深t (mm)	适配批头
AA195	5	4.6	1.6	2.0	0.85	H2
AA100	6	4.6	1.6	2.0	0.85	H2
AA101	8	4.6	1.6	2.0	0.85	H2
AA196	10	4.6	1.6	2.0	0.85	H2
AA102	12	4.6	1.6	2.0	0.85	H2
AA197	14	4.6	1.6	2.0	0.85	H2
AA103	16	4.6	1.6	2.0	0.85	H2
AA198	18	4.6	1.6	2.0	0.85	H2
AA104	20	4.6	1.6	2.0	0.85	H2
AA105	25	4.6	1.6	2.0	0.85	H2
AA106	30	4.6	1.6	2.0	0.85	H2

基本信息

表面处理	镀黑色锌镍合金	材质	碳钢
批头种类	内六角	螺纹牙形	公制粗牙
牙长	全螺纹型	表面颜色	黑色

产品特点

- 3D打印优选自攻螺丝
- 碳钢圆柱头自攻螺丝
- 螺纹公称: BT1.6~BT3
- 强度等级: 4.8
- 全牙系列
- 螺纹牙形种类: 公制粗牙