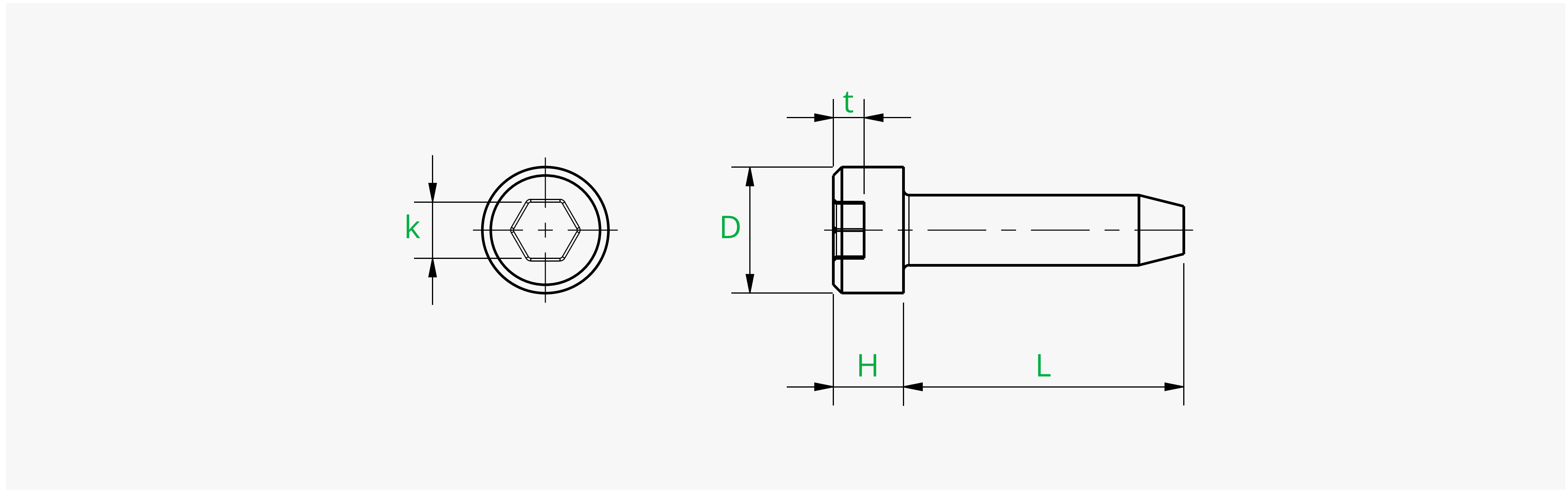


## BT1.6 Socket Head Cap Self Tapping Screw (SHCS)



Product ID	L (mm) Bolt Length	D (mm) Head Diameter	H (mm) Head Thickness	k (mm) Hexagon Across Flats	t (mm) Groove Depth	Screwdriver Bit Size
AA092	6	3	1.5	1.5	1.0	H1.5

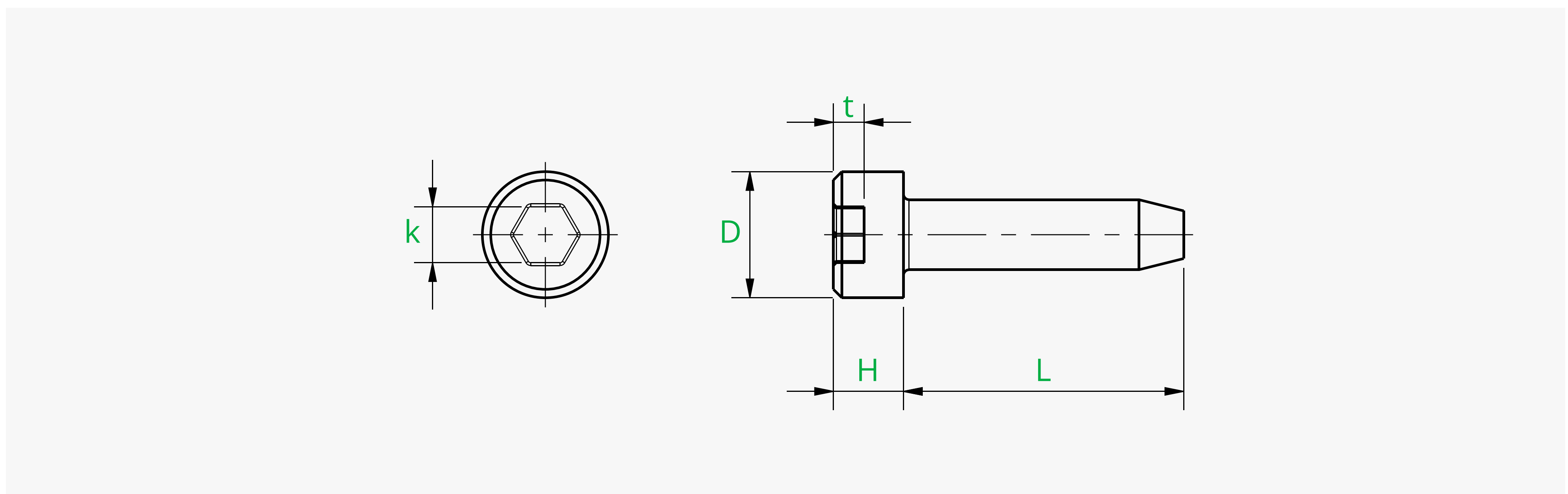
### Basic Information

Surface Treatment	Black zinc-nickel alloy plating	Material	Carbon steel
Mounting Hole Shape	Hex socket	Thread Ridge Type	Metric coarse
Screw Type	Complete thread	Color	Black

### Product Feature

- Self-Tapping Screws for 3D Printing
- Carbon Steel Socket Head Cap Self Tapping Screw (SHCS)
- Nominal thread: BT1.6~BT3
- Strength grade: 4.8
- Type of thread: Metric coarse thread
- Full thread series

## BT1.6 圆柱头自攻螺丝



产品 ID	螺栓长度L (mm)	头部直径D (mm)	头部厚度H (mm)	六角对边距k (mm)	槽深t (mm)	适配批头
AA092	6	3	1.5	1.5	1.0	H1.5

### 基本信息

表面处理	镀黑色锌镍合金	材质	碳钢
批头种类	内六角	螺纹牙形	公制粗牙
牙长	全螺纹型	表面颜色	黑色

### 产品特点

- 3D打印优选自攻螺丝
- 碳钢圆柱头自攻螺丝
- 螺纹公称: BT1.6~BT3
- 强度等级: 4.8
- 全牙系列
- 螺纹牙形种类: 公制粗牙