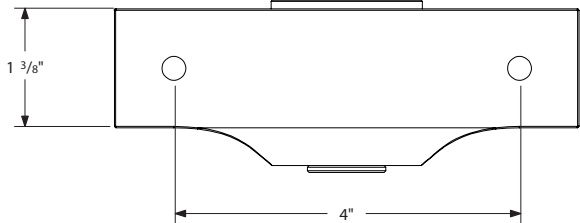
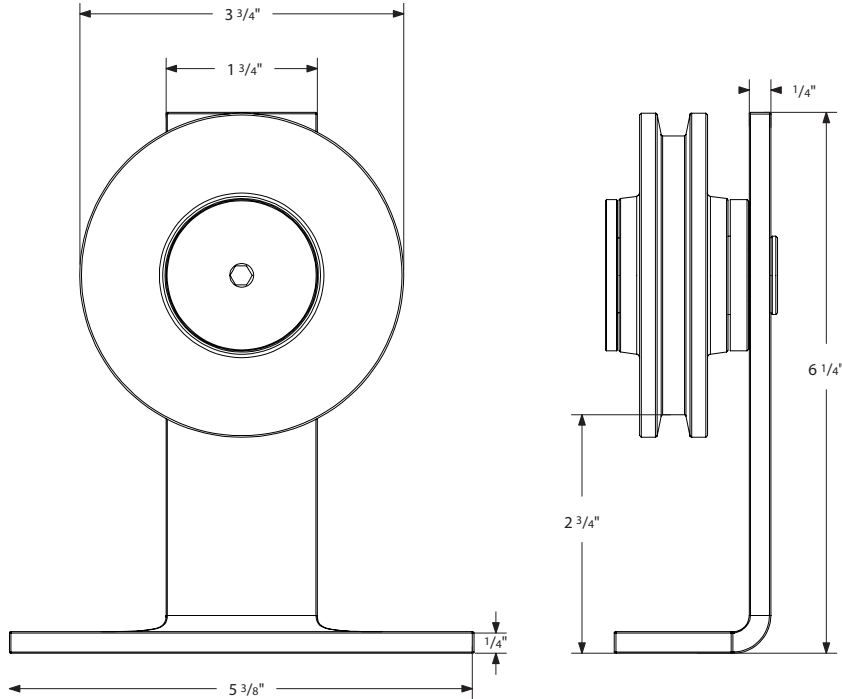


# BARN DOOR HARDWARE - MODERN RECTANGULAR TOP/FACE MOUNT HANGER



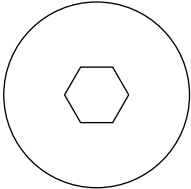
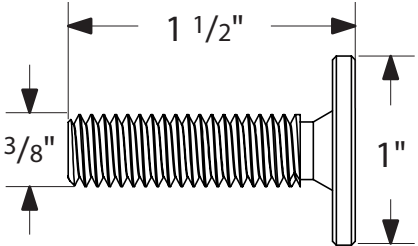
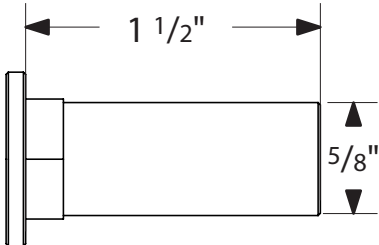
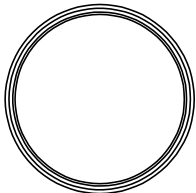
Top Mount Hanger

The wall or structure that your system will be mounted on must be designed to support a maximum door weight of 400 lbs.

Note: For general info only. Do NOT use as a drilling template.

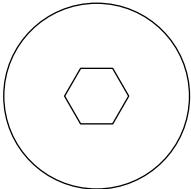
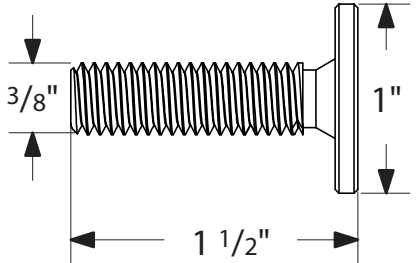
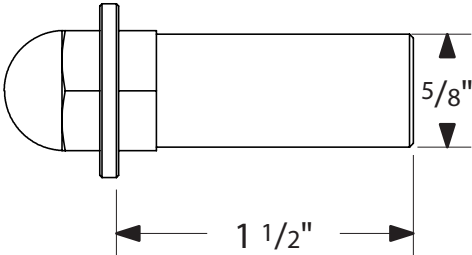
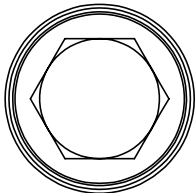
# BARN DOOR HARDWARE - HANGER FASTENER STYLES

FLAT



7/32 Hex

CLASSIC

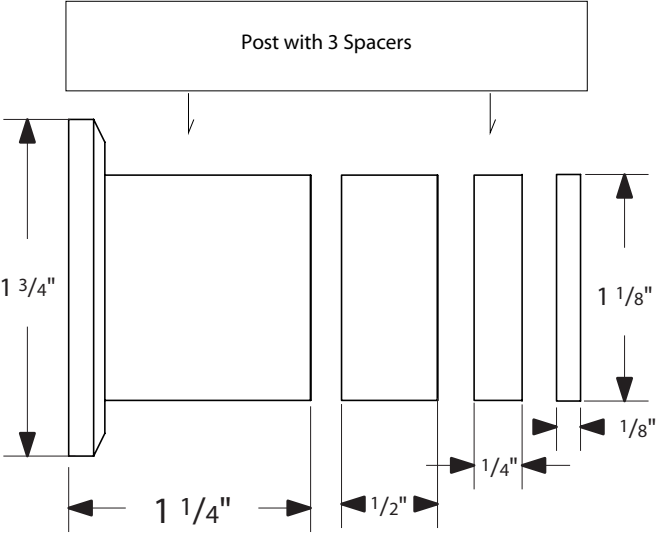
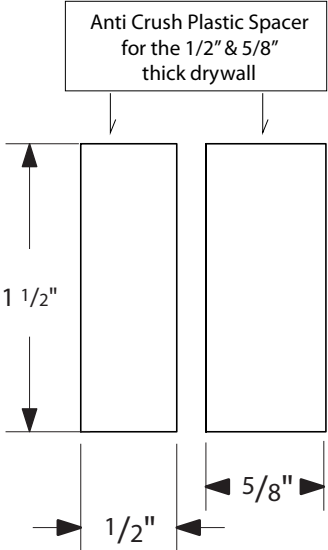
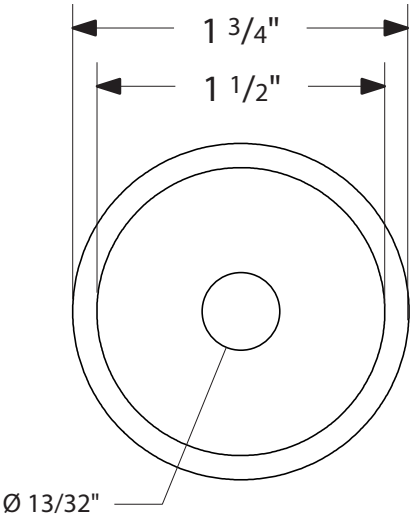


7/32 Hex

The wall or structure that your system will be mounted on must be designed to support a maximum door weight of 400 lbs.

Note: For general info only. Do NOT use as a drilling template.

# BARN DOOR HARDWARE - TRACK MOUNTING POST & SPACERS

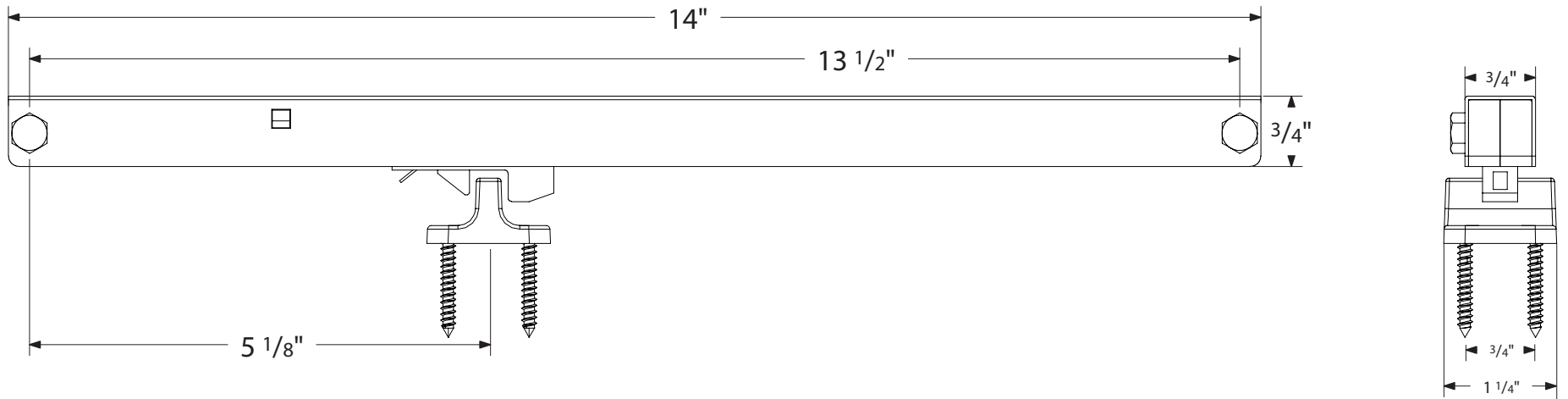


Without a counterbore, the door thickness is 1-3/8" to 2-1/4"

The wall or structure that your system will be mounted on must be designed to support a maximum door weight of 400 lbs.

Note: For general info only. Do NOT use as a drilling template.

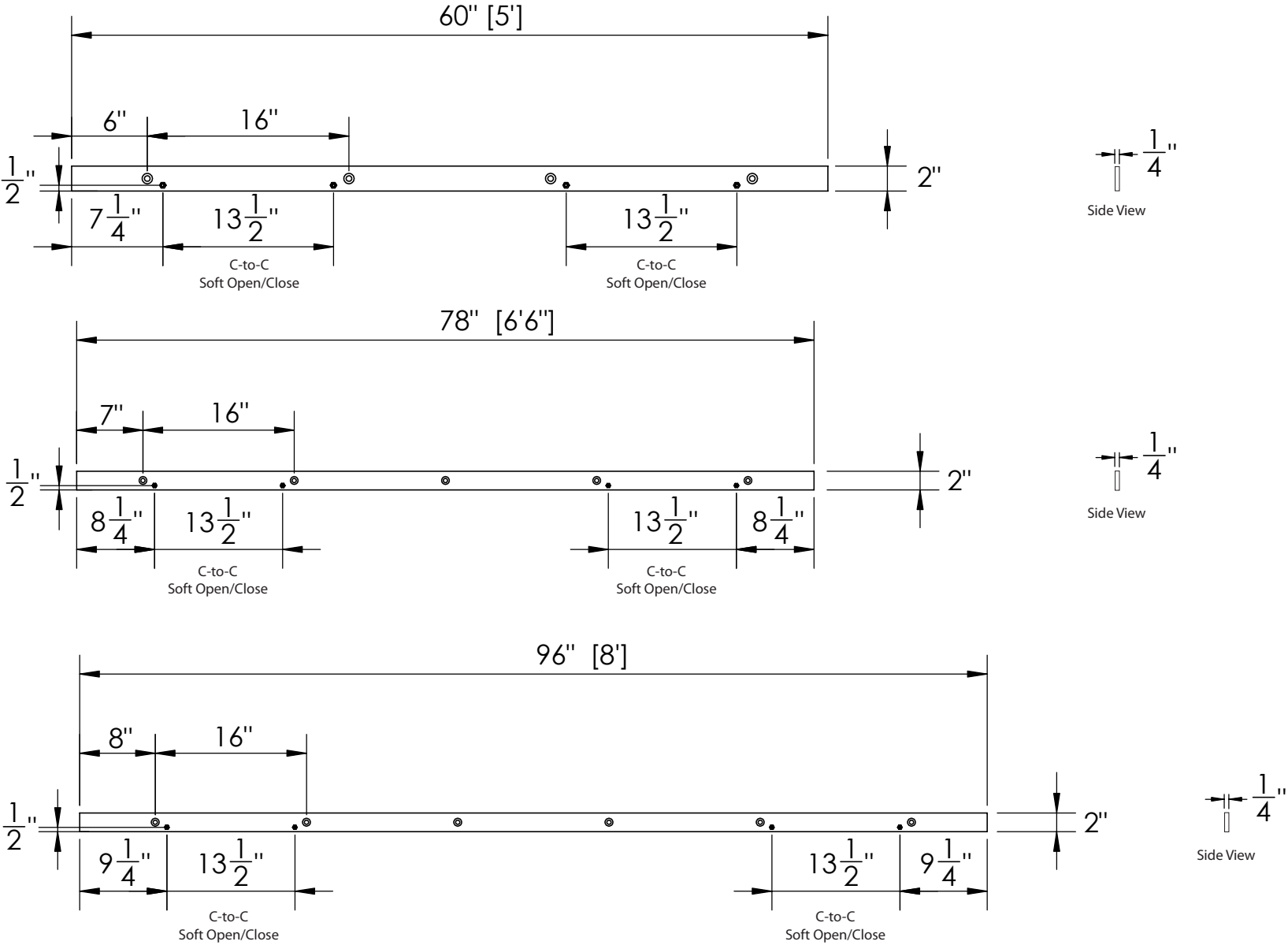
# BARN DOOR HARDWARE - SOFT OPEN/CLOSE KIT



The wall or structure that your system will be mounted on must be designed to support a maximum door weight of 400 lbs.

Note: For general info only. Do NOT use as a drilling template.

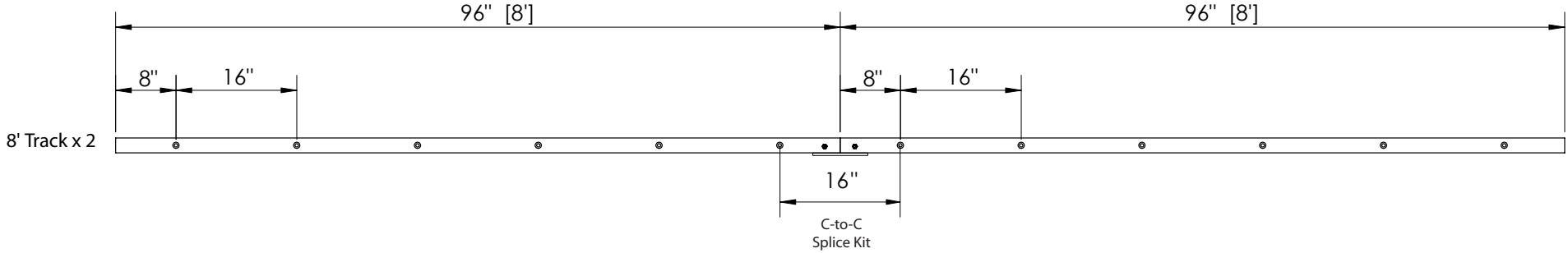
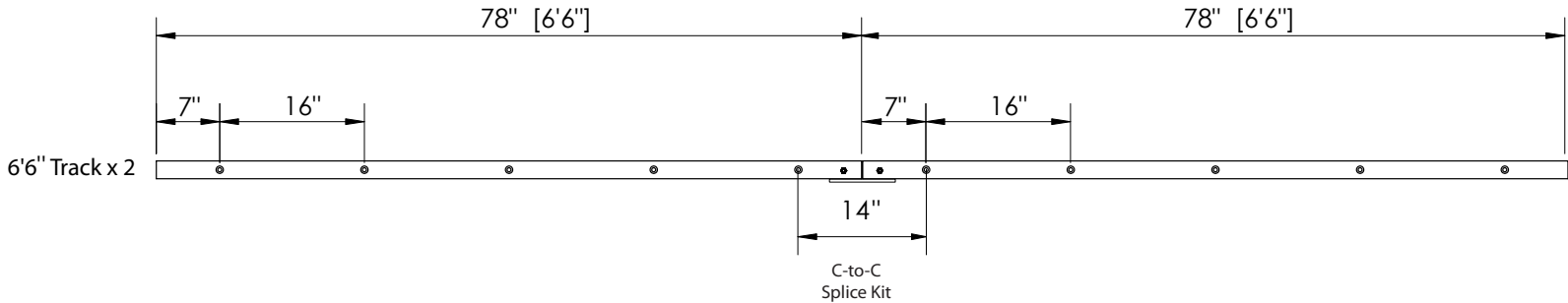
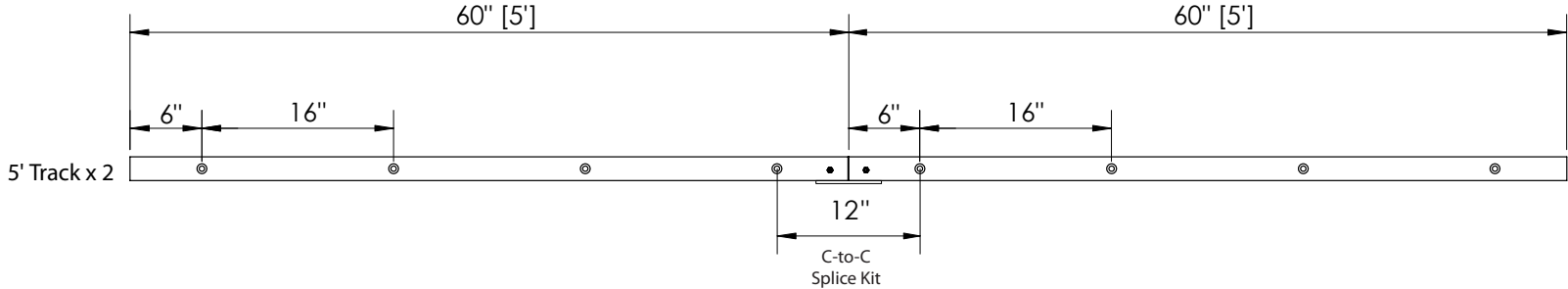
# BARN DOOR HARDWARE - FLAT TRACK LENGTH WITH SOFT OPEN/CLOSE MEASUREMENTS



The wall or structure that your system will be mounted on must be designed to support a maximum door weight of 400 lbs.

Note: For general info only. Do NOT use as a drilling template.

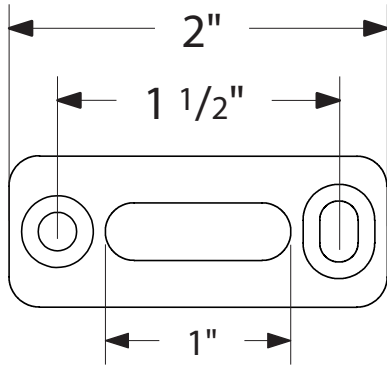
# BARN DOOR HARDWARE - FLAT TRACK LENGTH WITH SPLICE KIT MEASUREMENTS



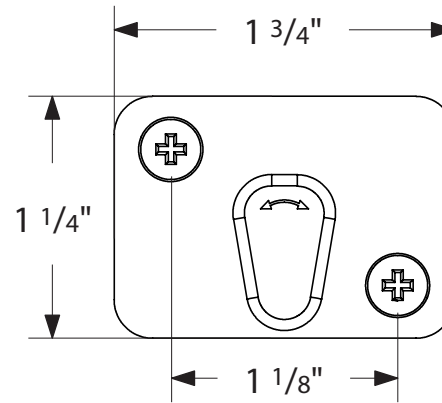
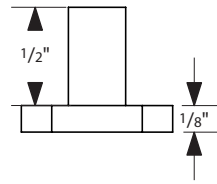
The wall or structure that your system will be mounted on must be designed to support a maximum door weight of 400 lbs.

Note: For general info only. Do NOT use as a drilling template.

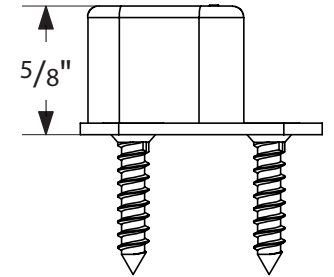
# BARN DOOR HARDWARE - FLOOR GUIDE, ANTI-JUMP, TRACK SCREW



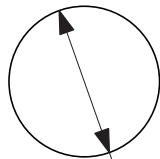
Floor Guide



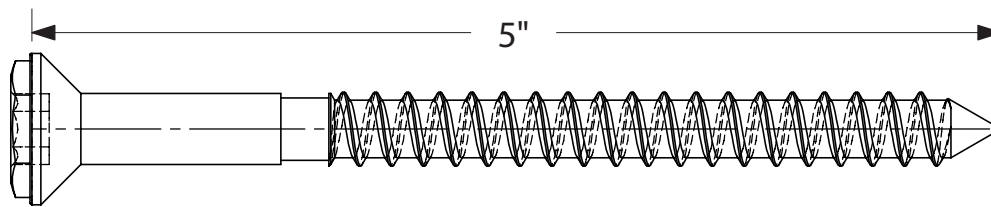
Anti-Jump



HEX 5/16 X .200 DEEP



Ø 3/4"



Track Screw

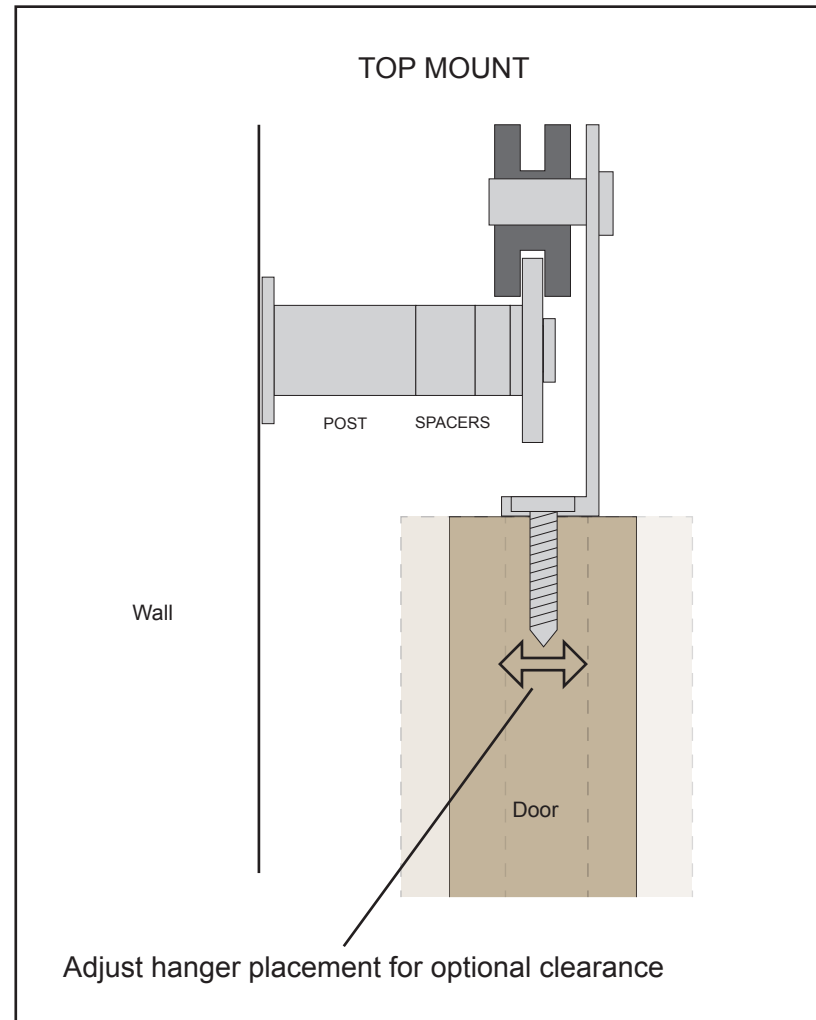
The wall or structure that your system will be mounted on must be designed to support a maximum door weight of 400 lbs.

Note: For general info only. Do NOT use as a drilling template.

## BARN DOOR HARDWARE - DOOR THICKNESS

### DOOR THICKNESS 1-3/8" to 2-1/4"\*

*\*Up to 2-3/4" thickness can be achieved by adjusting hanger placement for top mount*



The wall or structure that your system will be mounted on must be designed to support a maximum door weight of 400 lbs.