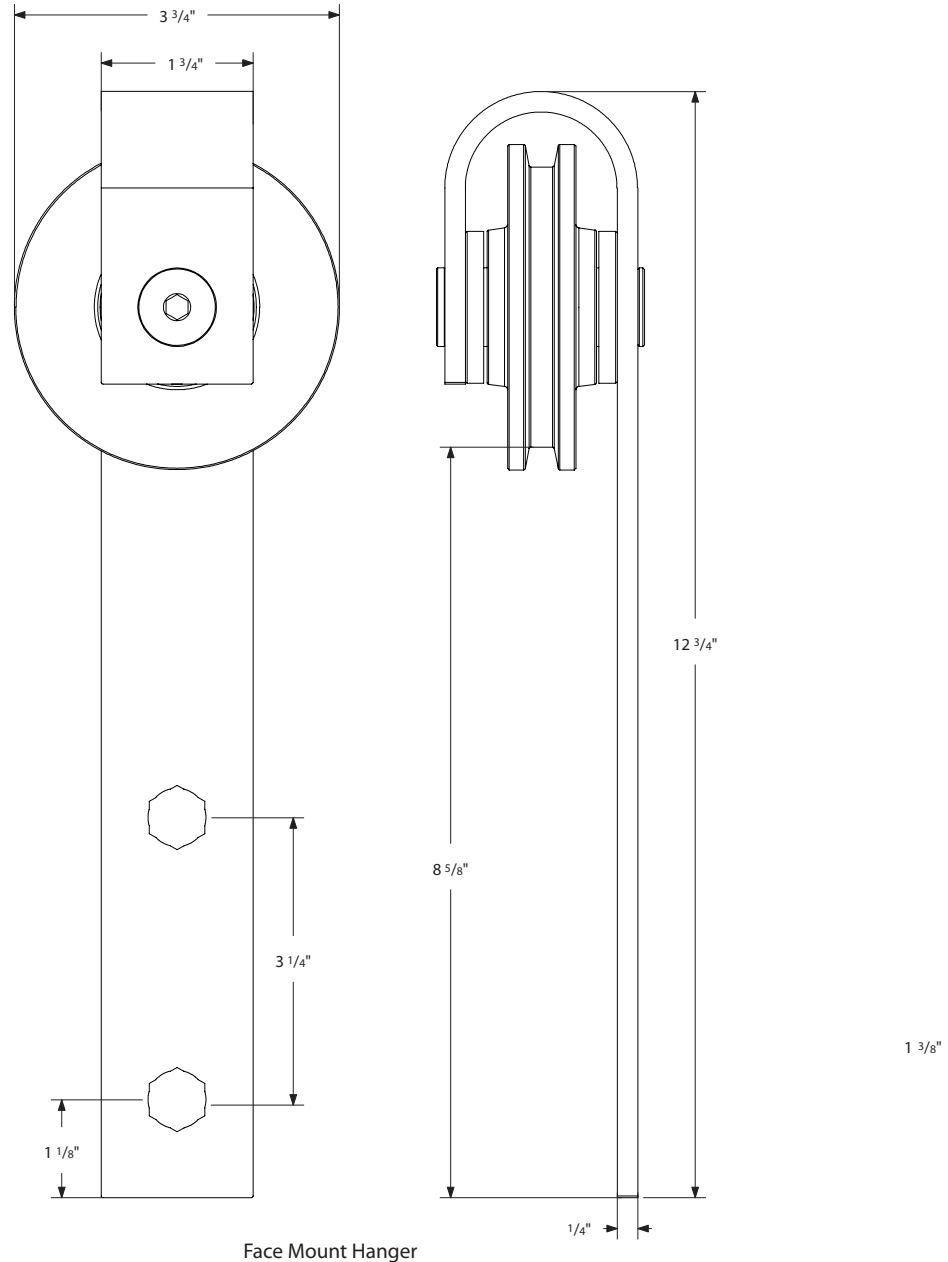


BARN DOOR HARDWARE - FACE MOUNT HANGER

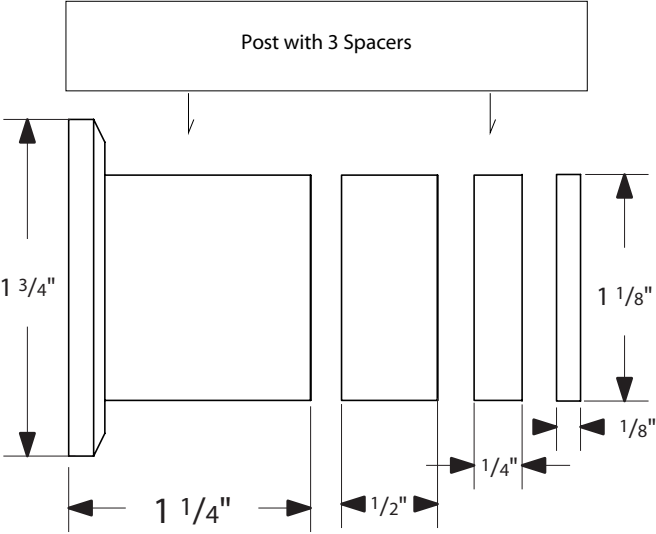
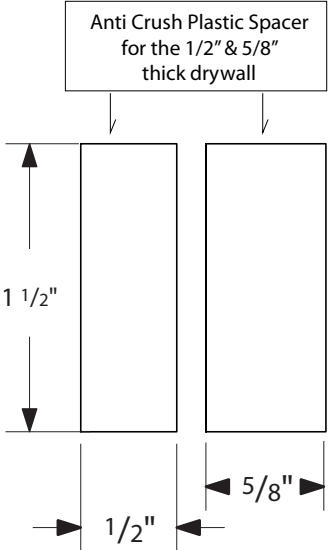
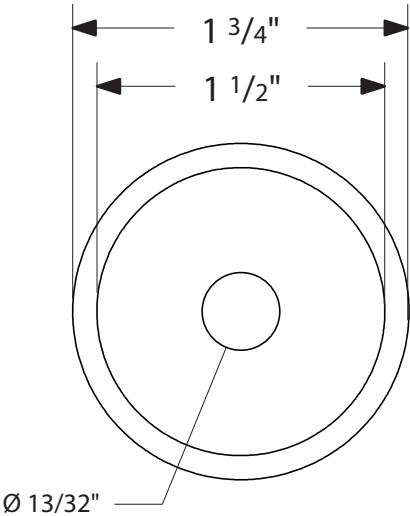


Face Mount Hanger

The wall or structure that your system will be mounted on must be designed to support a maximum door weight of 400 lbs.

Note: For general info only. Do NOT use as a drilling template.

BARN DOOR HARDWARE - TRACK MOUNTING POST & SPACERS

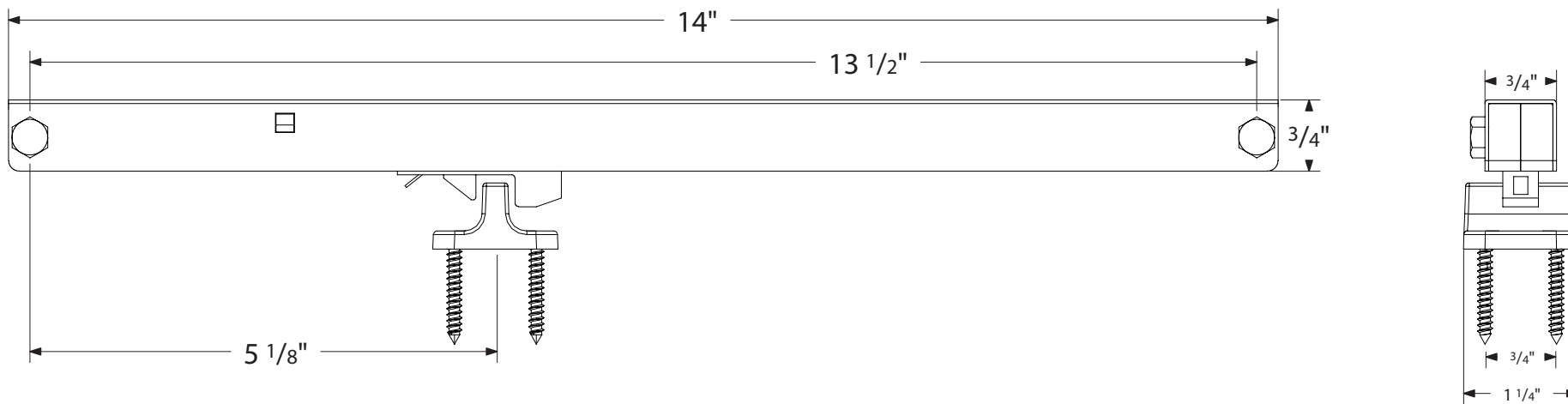


Without a counterbore, the door thickness is 1-3/8" to 2-1/4"

The wall or structure that your system will be mounted on must be designed to support a maximum door weight of 400 lbs.

Note: For general info only. Do NOT use as a drilling template.

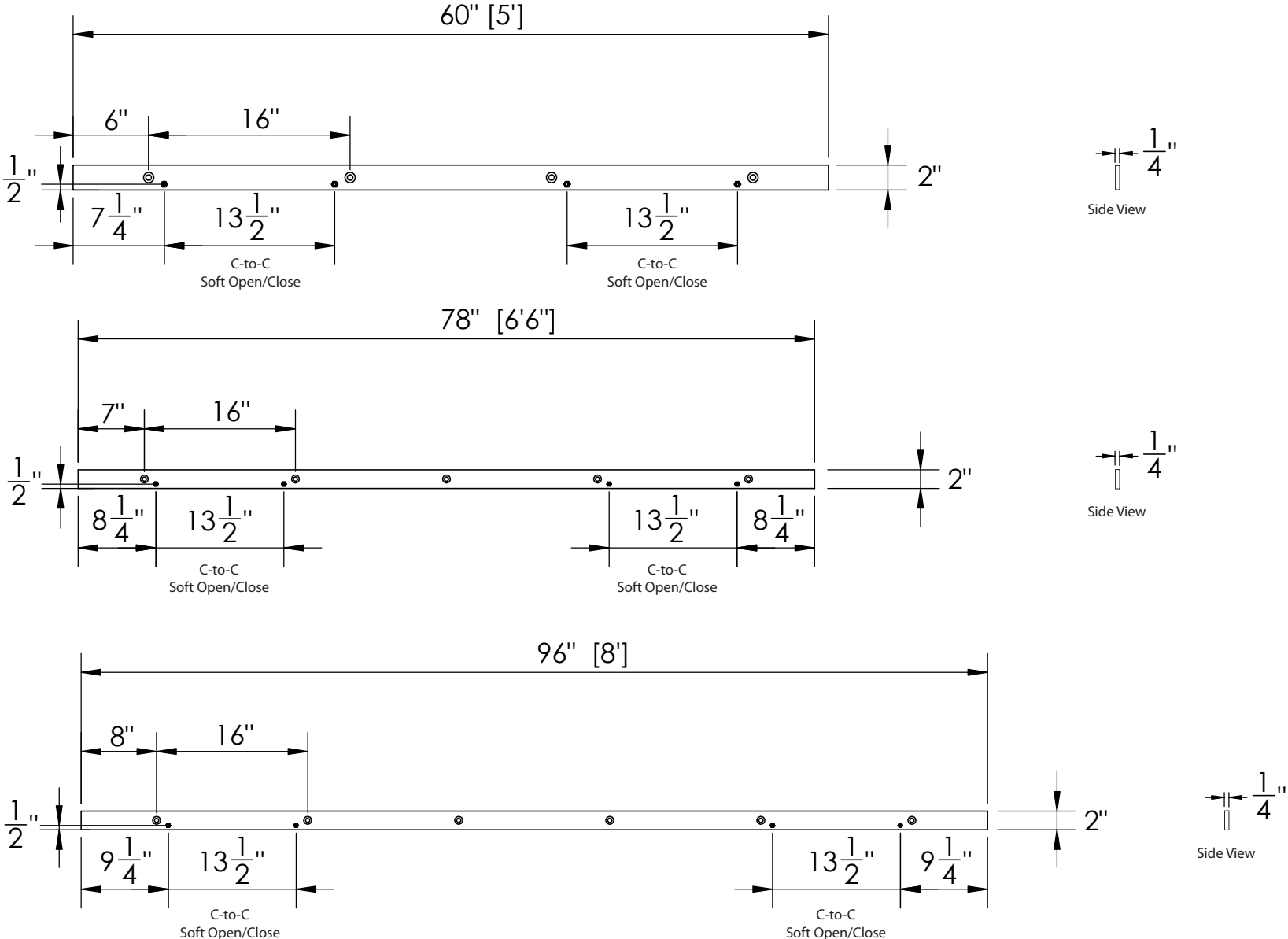
BARN DOOR HARDWARE - SOFT OPEN/CLOSE KIT



The wall or structure that your system will be mounted on must be designed to support a maximum door weight of 400 lbs.

Note: For general info only. Do NOT use as a drilling template.

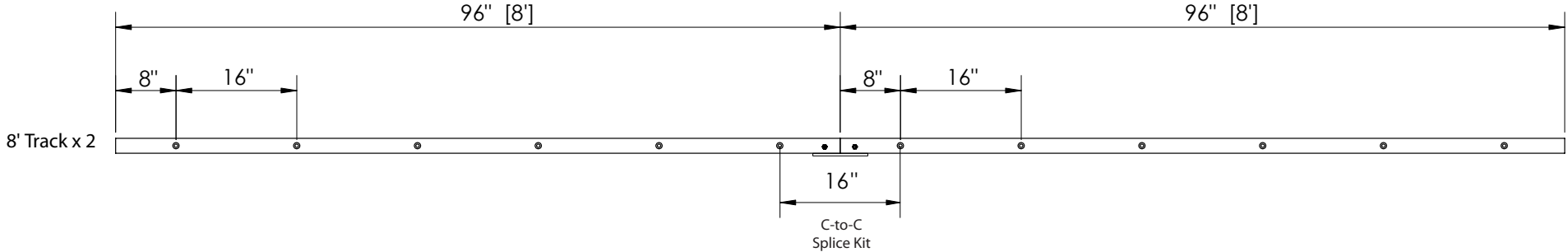
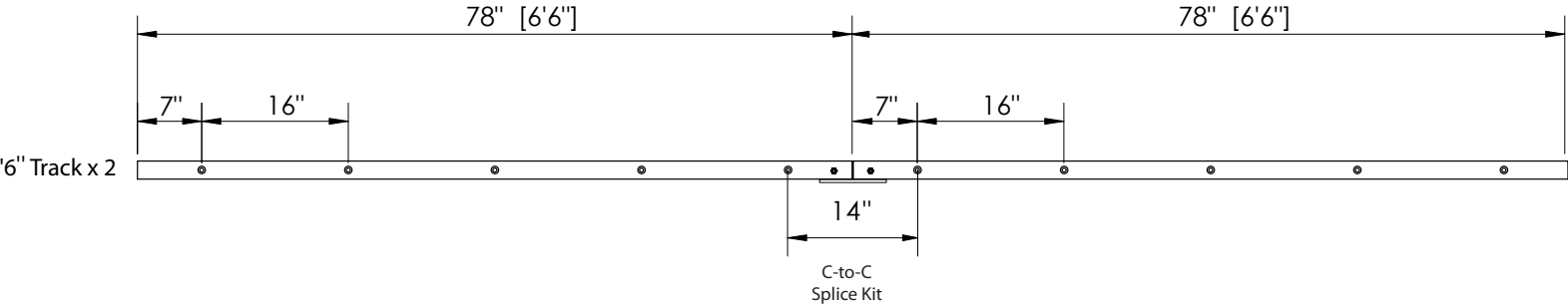
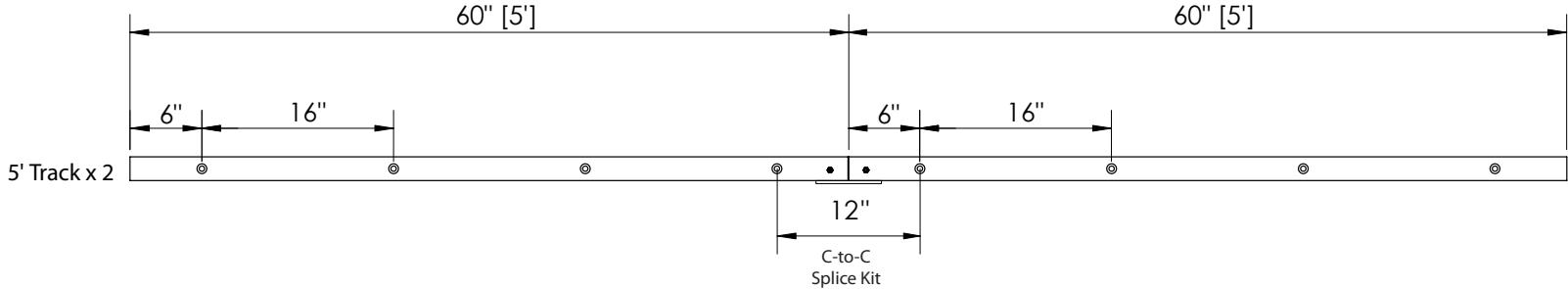
BARN DOOR HARDWARE - FLAT TRACK LENGTH WITH SOFT OPEN/CLOSE MEASUREMENTS



The wall or structure that your system will be mounted on must be designed to support a maximum door weight of 400 lbs.

Note: For general info only. Do NOT use as a drilling template.

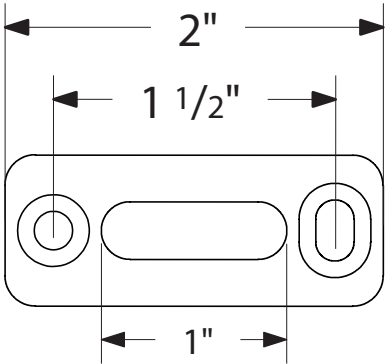
BARN DOOR HARDWARE - FLAT TRACK LENGTH WITH SPLICE KIT MEASUREMENTS



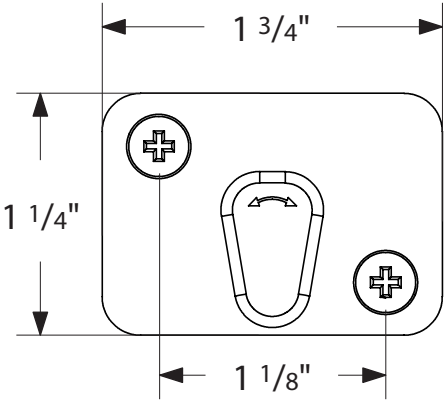
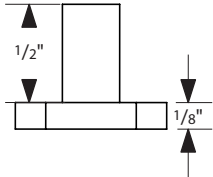
The wall or structure that your system will be mounted on must be designed to support a maximum door weight of 400 lbs.

Note: For general info only. Do NOT use as a drilling template.

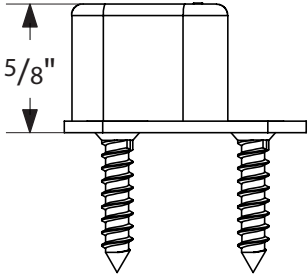
BARN DOOR HARDWARE - FLOOR GUIDE, ANTI-JUMP, TRACK SCREW



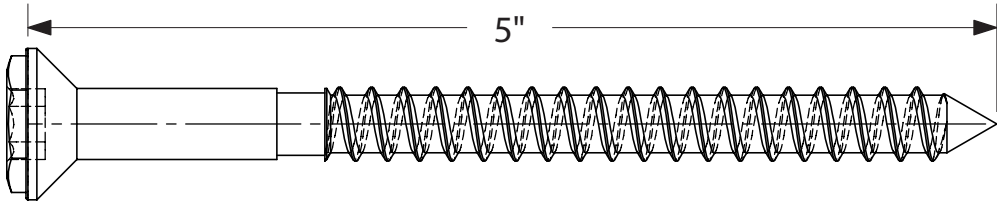
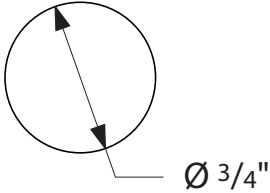
Floor Guide



Anti-Jump



HEX 5/16 X .200 DEEP



Track Screw

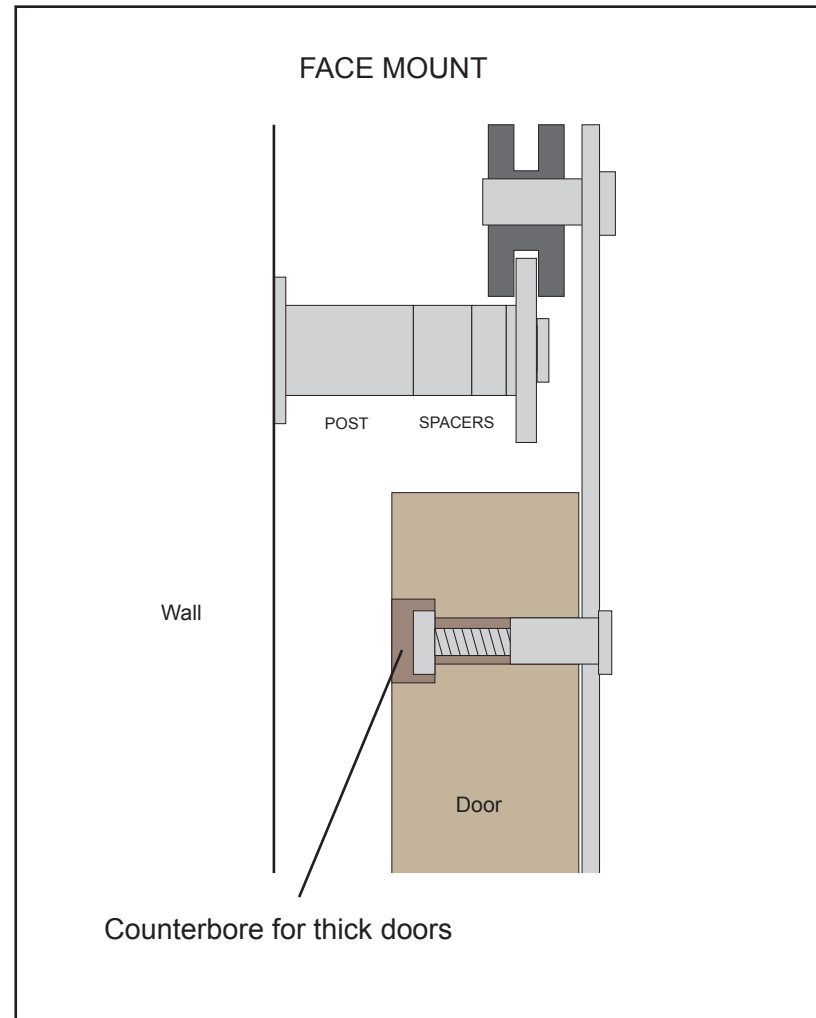
The wall or structure that your system will be mounted on must be designed to support a maximum door weight of 400 lbs.

Note: For general info only. Do NOT use as a drilling template.

BARN DOOR HARDWARE - DOOR THICKNESS

DOOR THICKNESS 1-3/8" to 2-1/4"*

**Up to 2-3/4" thickness can be achieved with use of a counter-bore for face mount hangers*



The wall or structure that your system will be mounted on must be designed to support a maximum door weight of 400 lbs.