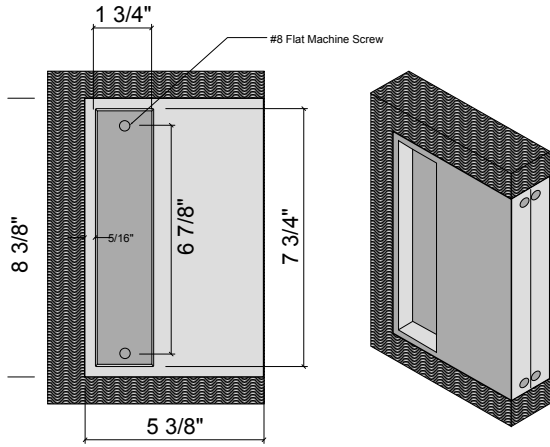
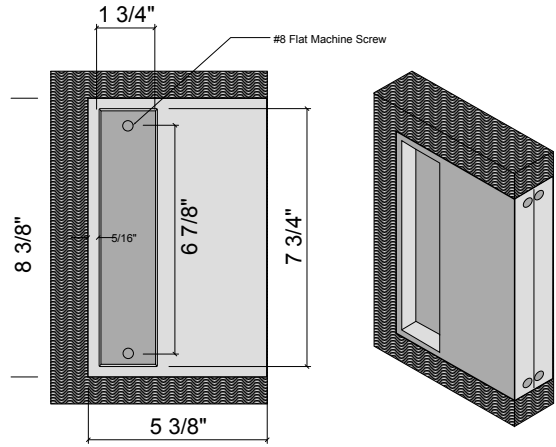


# SADDLE FLUSH PULL PASSAGE SETS

Illustrations are for demonstration purposes only.



TS-SFP-58-138  
– Saddle flush pull passage set.  
– Bucket depth 3/8".



TS-SFP-58-134  
– Saddle flush pull passage set.  
– Bucket depth 1/2".

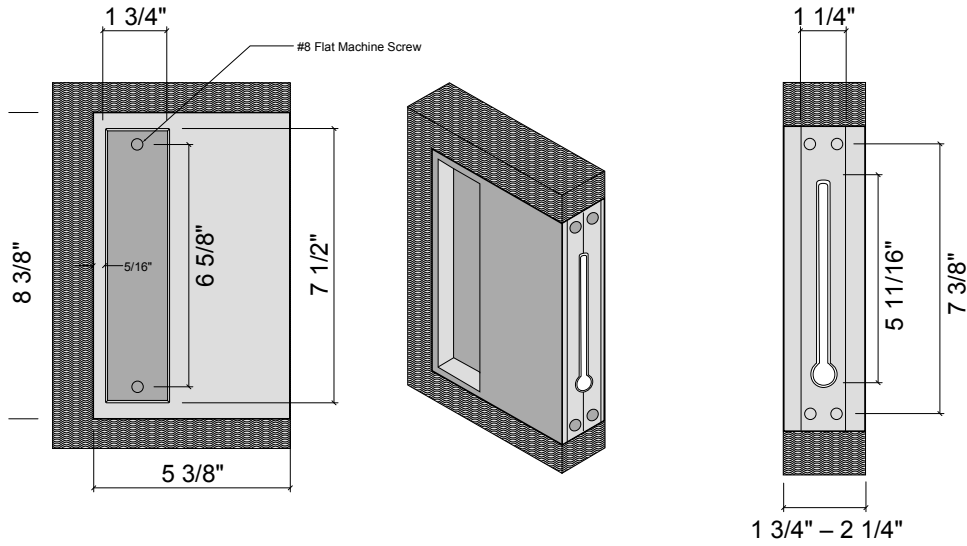
SUN VALLEY BRONZE

**PROPRIETARY AND CONFIDENTIAL:** The information contained in this drawing is the sole property of Sun Valley Bronze. Any reproduction in part or as a whole without the written permission of Sun Valley Bronze is prohibited.



# SADDLE FLUSH PULL w/EDGE PULL

Illustrations are for demonstration purposes only.



TS-SFP-EDG58-134  
– Saddle flush pull w/edge pull.

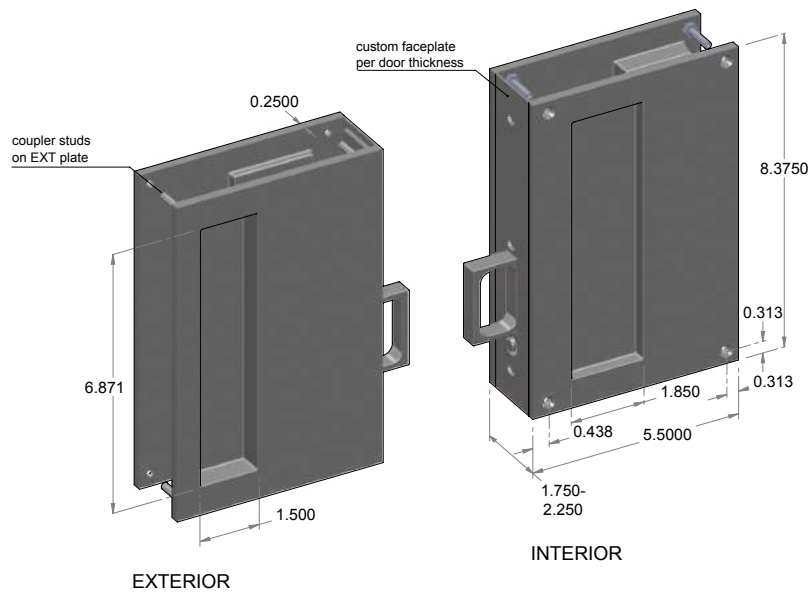
SUN VALLEY BRONZE

**PROPRIETARY AND CONFIDENTIAL:** The information contained in this drawing is the sole property of Sun Valley Bronze. Any reproduction in part or as a whole without the written permission of Sun Valley Bronze is prohibited.



# SADDLE FLUSH PULL w/INTERIOR MORTISE PASSAGE PULL LOCK - LEFT HAND

Illustrations are for demonstration purposes only.



CS-SFP-58-2002IML-LH  
- Left hand.

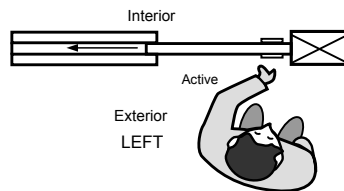
## Saddle flush pull w/interior mortise passage pull lock.

No visible fasteners on exterior.

All sets are handed. Please specify.

All sets provided with Accurate 2002CPDPSD 2" backset and face plate to accommodate door thickness.

1 3/4" minimum door thickness.



### Left Hand

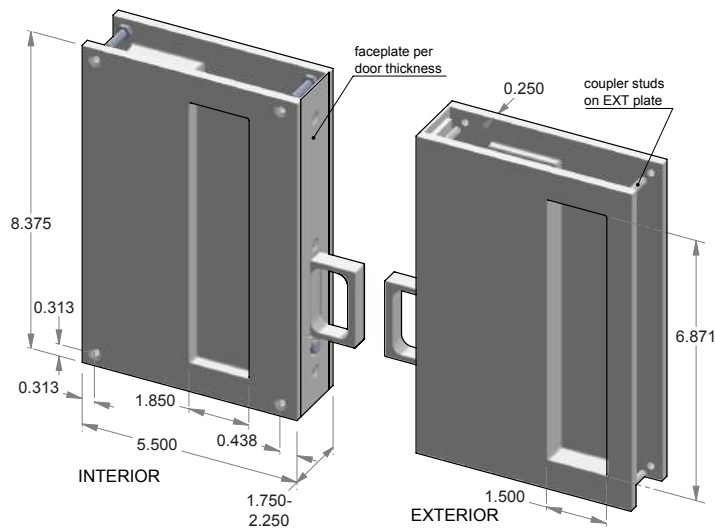
Standing on the exterior side of the door, the door slides left into the pocket when opening.

**PROPRIETARY AND CONFIDENTIAL:** The information contained in this drawing is the sole property of Sun Valley Bronze. Any reproduction in part or as a whole without the written permission of Sun Valley Bronze is prohibited.



# SADDLE FLUSH PULL w/INTERIOR MORTISE PASSAGE PULL LOCK - RIGHT HAND

Illustrations are for demonstration purposes only. Any lever or knob may be substituted for lever or knob shown. Additional functions available.



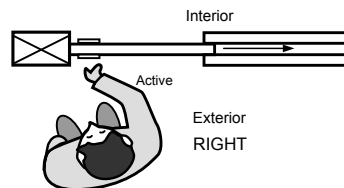
## Saddle flush pull w/interior mortise passage pull lock.

No visible fasteners on exterior.

All sets are handed. Please specify.

All sets provided with Accurate 2002CPDPSD 2" backset and face plate to accommodate door thickness.

1 3/4" minimum door thickness.



### Right Hand

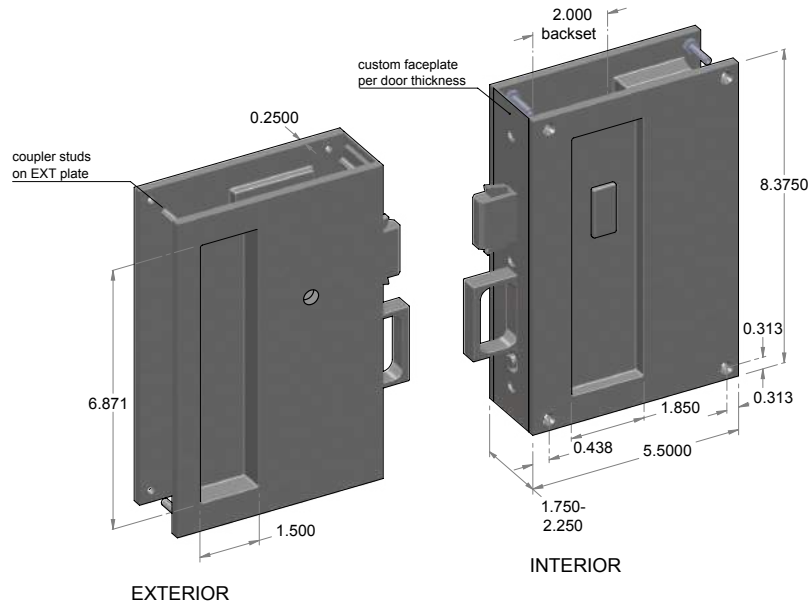
Standing on the exterior side of the door, the door slides right into the pocket when opening.

**PROPRIETARY AND CONFIDENTIAL:** The information contained in this drawing is the sole property of Sun Valley Bronze. Any reproduction in part or as a whole without the written permission of Sun Valley Bronze is prohibited.



# SADDLE FLUSH PULL w/INTERIOR MORTISE PRIVACY PULL LOCK - LEFT HAND

Illustrations are for demonstration purposes only. Any lever or knob may be substituted for lever or knob shown. Additional functions available.



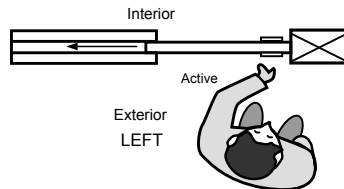
## Saddle flush pull w/interior mortise privacy pull lock.

No visible fasteners on exterior.

All sets are handed. Please specify.

Privacy sets provided with Accurate 2002CPDLS 2" backset & face plate to accommodate door thickness.

Double door sets provided with Accurate 2002CPDLS 2" backset, 2002CPDSS & face plate to accommodate door thickness. 1 3/4" minimum door thickness.



### Left Hand

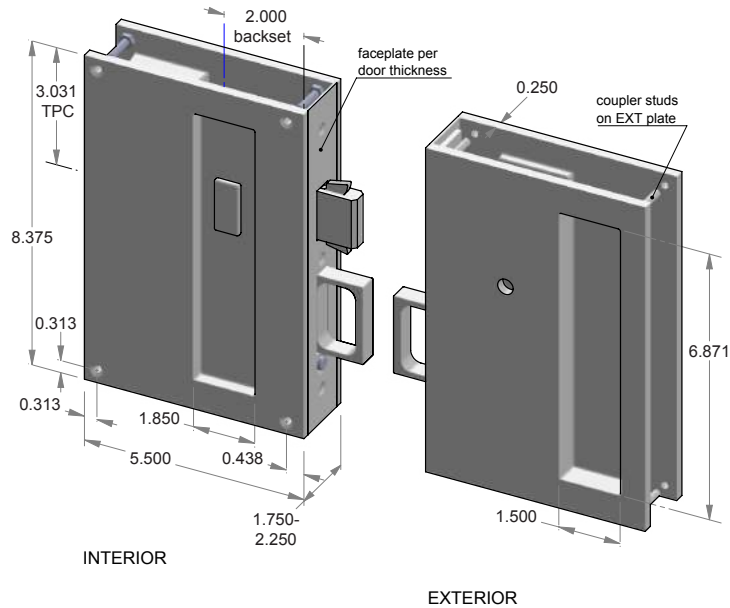
Standing on the exterior side of the door, the door slides left into the pocket when opening.

**PROPRIETARY AND CONFIDENTIAL:** The information contained in this drawing is the sole property of Sun Valley Bronze. Any reproduction in part or as a whole without the written permission of Sun Valley Bronze is prohibited.



# SADDLE FLUSH PULL w/INTERIOR MORTISE PRIVACY PULL LOCK - RIGHT HAND

Illustrations are for demonstration purposes only.



## Saddle flush pull w/interior mortise privacy pull lock.

No visible fasteners on exterior.

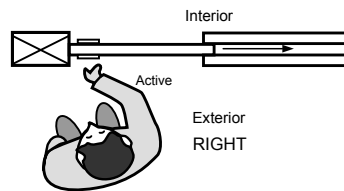
All sets are handed. Please specify.

Available with ER-12 or ER-13. Please specify.

Privacy sets provided with Accurate 2002CPDLS 2" backset & face plate to accommodate door thickness.

Double door sets provided with Accurate 2002CPDLS 2" backset, 2002CPDSS & face plate to accommodate door thickness.

1 3/4" minimum door thickness.



### Right Hand

Standing on the exterior side of the door, the door slides right into the pocket when opening.

**PROPRIETARY AND CONFIDENTIAL:** The information contained in this drawing is the sole property of Sun Valley Bronze. Any reproduction in part or as a whole without the written permission of Sun Valley Bronze is prohibited.

