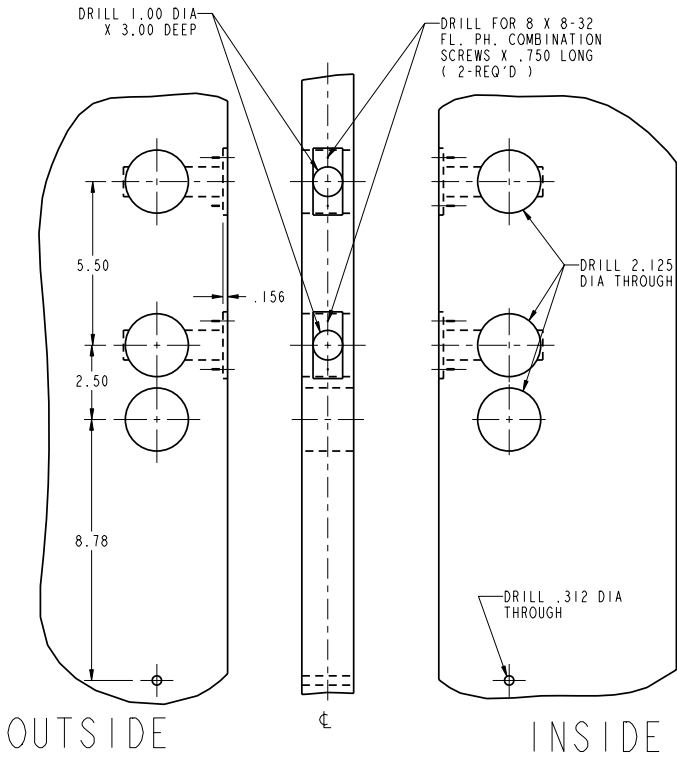
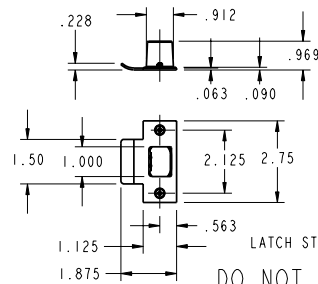
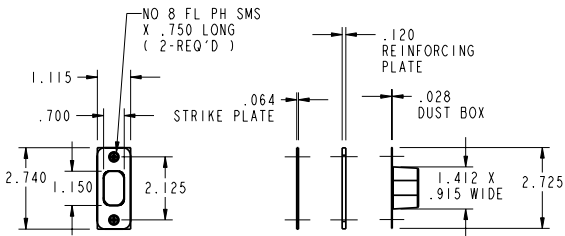
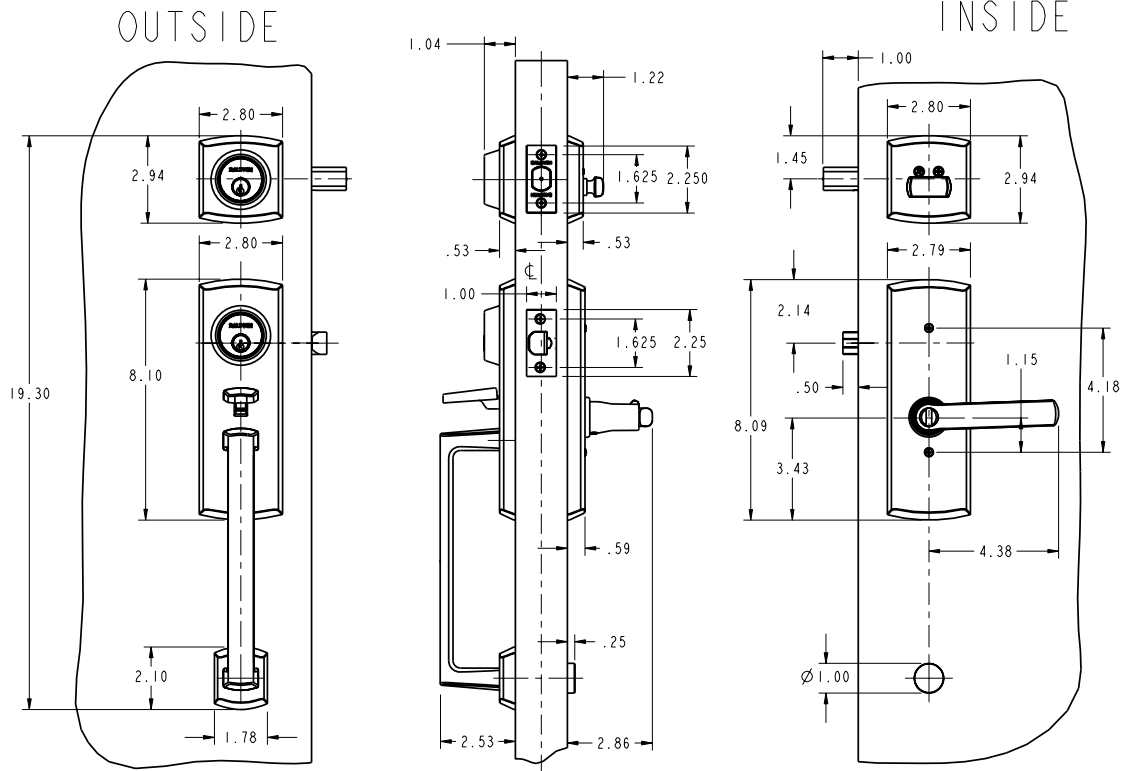


# DOOR DETAIL



# TRIM DETAIL

LEFT HAND ILLUSTRATED



DO NOT SCALE DRAWING

EFFECTIVE 03/19/07

DEADBOLT STRIKE, REINFORCEMENT PLATE, & DUST BOX DETAIL

	<b>BALDWIN</b> HARDWARE CORPORATION <small>READING, PENNSYLVANIA</small>	<b>BLACK &amp; DECKER</b> COMPANY
	<b>85385-2LH &amp; 2RH SOHO LEVER</b>	
TEMPLATE: NO VARIATIONS		TEMPLATE NO.
©2006 BY BALDWIN HARDWARE CORPORATION		<b>IM385</b>