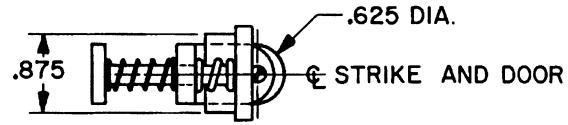
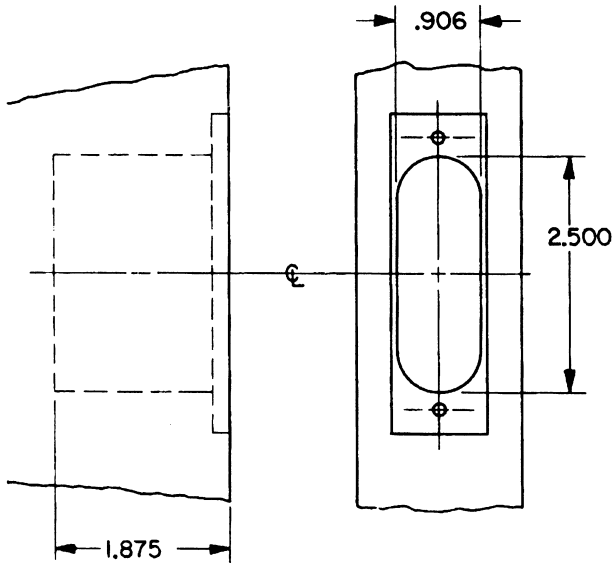
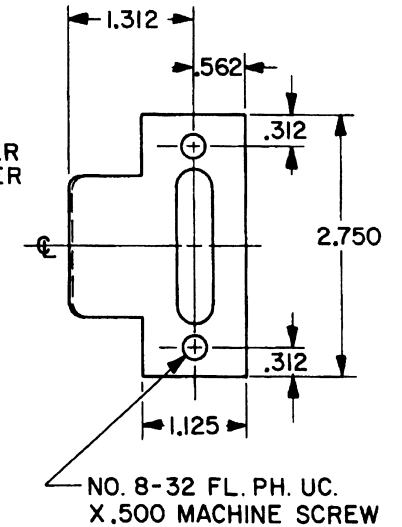
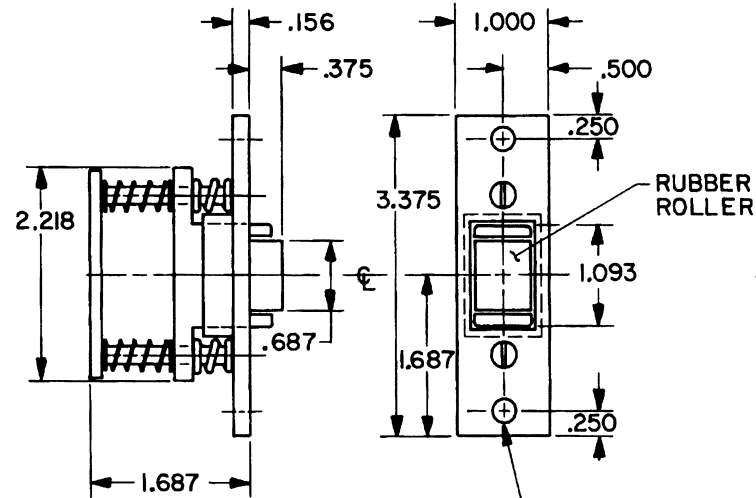
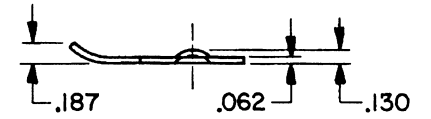


# DOOR DETAIL



# LATCH DETAIL



NO. 10 FL. PH. WOOD SCREW  
X 1.00 LONG (FOR WOOD DOORS)

NO. 10-24 FL. PH. UC. MACH. SCREW  
X .500 LONG (FOR METAL DOORS)

**DO NOT SCALE DRAWING**

<b>B. BALDWIN</b>	
<b>0432 ROLLER LATCH</b>	
TEMPLATE NO. VARIATIONS A196, A197, A199, A200, A201	TEMPLATE NO. <b>A198</b>

EFFECTIVE: 9-1-86 RA