

## Infinite Possibilities for Solar Integration



### München Energieprodukte GmbH.

Add: Stethaimerstr. 32-34, 84034 Landshut

Tel: +49087160679947

Email: [info@muenchen-energieprodukte.de](mailto:info@muenchen-energieprodukte.de)

Website: [info@muenchen-energieprodukte.de](http://info@muenchen-energieprodukte.de)

Since 2009





## COMPANY BRIEFS

MÜNCHEN SOLAR, an innovative and quality-oriented solar module manufacturer, offers solar modules, in-roof solar systems, small solar modules, and special applications such as flexible modules, foldable modules, and solar suitcases. Our R&D team refines our products to adapt performance and specification to market demand.

In addition, we have been offering inverters, battery storage systems, and complete solutions for solar systems for the EU market since 2013. Our world-known partners are Growatt, SofarSolar, Solis, Solax, Huawei, Solaredge, Sungrow, and Pylontech.

Whether you are a dealer, installer, or online shop, we are convinced that we can profitably support your solar energy projects with our diverse range of products.

## Concepts & Development

MÜNCHEN SOLAR fully understands the importance industry places on product quality, innovation, reliability, durability and the overall cost-effectiveness of installation based on our knowledge and experience in solar mounting industry. These factors drive the direction of The Mount Makers' product design and development. The end product reflects the company's commitment to satisfying the industry's needs.

MÜNCHEN SOLAR maintains long-term strategic partnerships with many leading companies in solar industry and through them provides our products and solutions to Europe, Asia, Middle East and Africa etc. more than 20 countries.



# 1 Technology

Even attacked by strong typhoons, earthquakes, blizzard or in other serious environment, our products are still very reliable. And this draws good reputation from customers all around the world. We always focus on the customers' satisfaction, thus we also pay lots of attention on how to make the installation easier. On this basis, we put lots of power on developing new products and employee training. In this way we provide better products to our customers.



# 2 Service

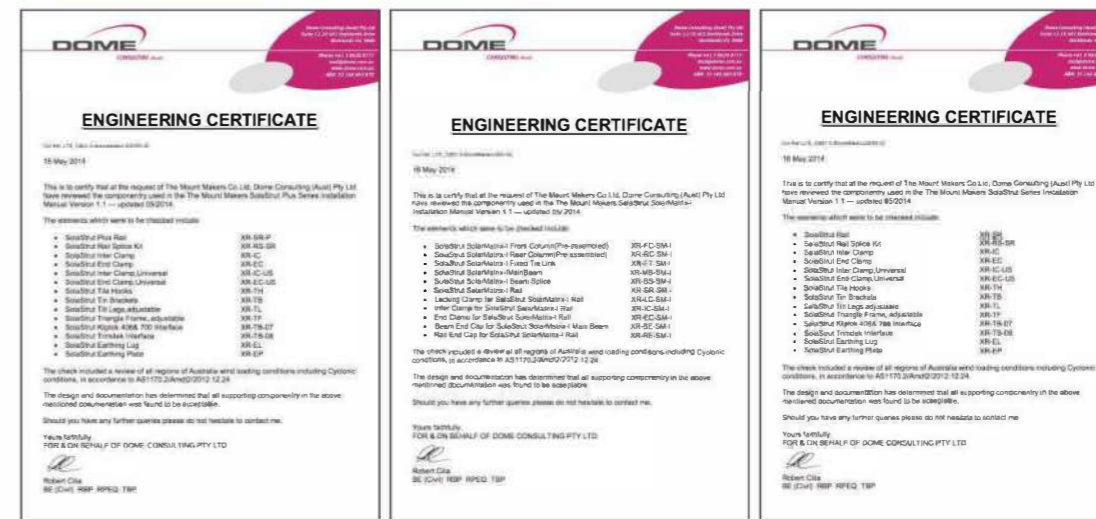
Our team will provide you a full range of service from pre-sales to after-sales. Our salesperson will use their experience, their knowledge, and their attitude to better understand the customer's need and help them acknowledge our products. With our motto "Customers are the lifeline of the company," we will listen carefully and address the needs of each customer, and then support our customers' work better.

# 3 Solution

For every project we will ask our customers to provide installation requirements and geographical conditions. Basing on this, we then provide the best solution to our customers. The cost of the structure is one thing, and we also consider about the installation cost. We will communicate with our customers again and again until we confirm about all the details. In other words, we are not only the supplier, but also as a consultant.



# Honors of company





→ Projects Gallery



- 1. Germany 2MW
- 2. USA 1MW
- 3. Japan 500KW
- 4. Germany 15MW
- 5. Slovenia 25KW
- 6. Italy 4MW
- 7. China 1.3MW
- 8. Queensland 52.5KW
- 9. Japan 1MW
- 10. China 636KW



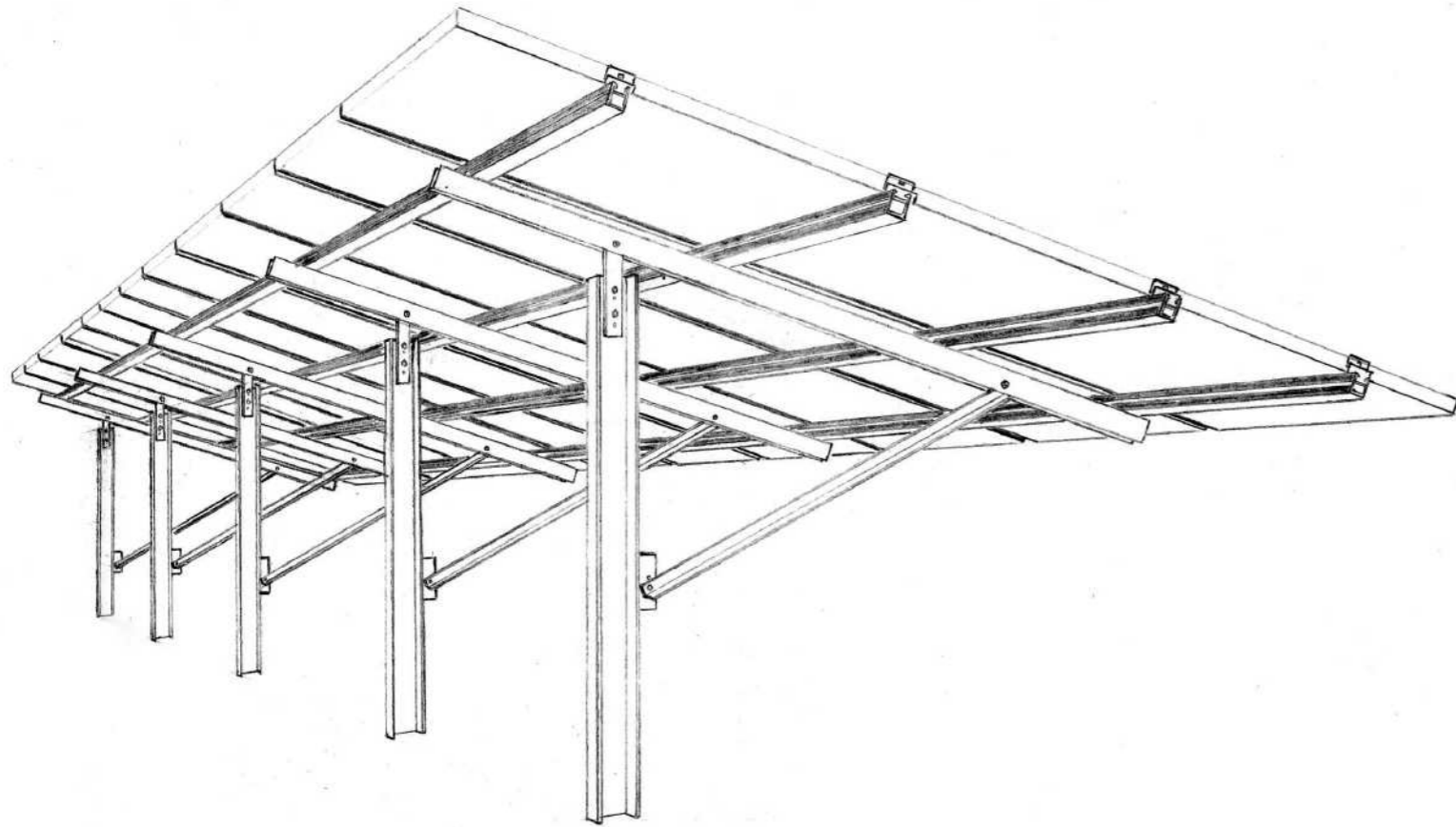




1. Australia 25KW
2. Japan 272KW
3. Germany 15MW
4. China 2MW
5. Italy 5MW
6. Italy 1MW
7. England 1.5MW
8. Japan 1.13MW
9. Japan 800KW
10. Spain 500KW
11. Japan 1MW
12. Japan 2.5MW
13. Japan 2MW



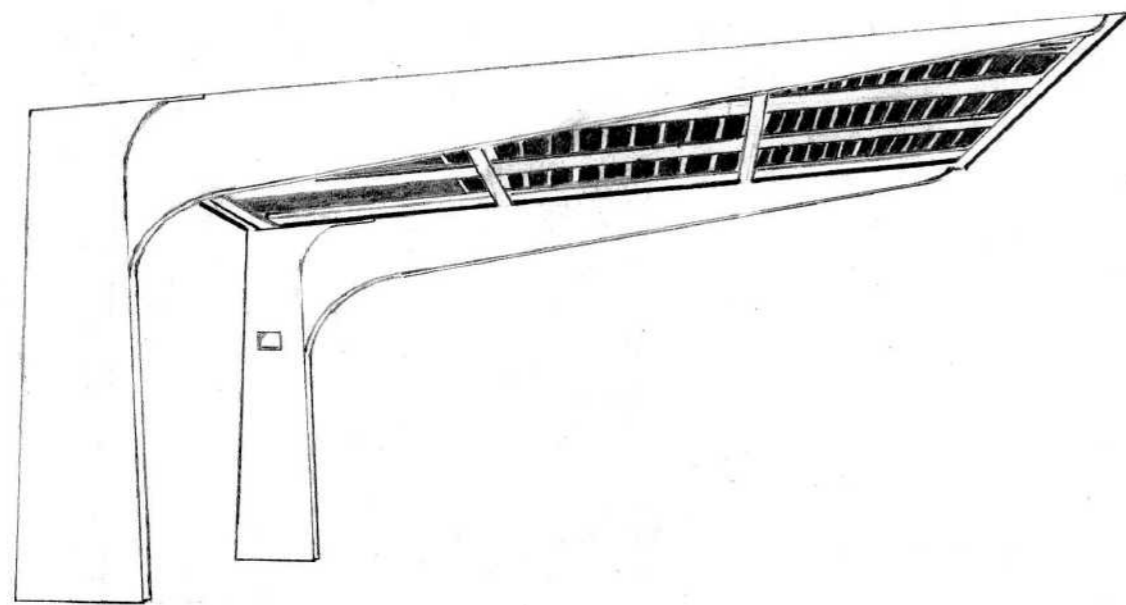




## The Mount Makers Product Range



SolaStrut® Tin Roof Mounting System.....	1
SolaStrut® Tile Roof Mounting System.....	3
SolaStrut® SolarBallast- I .....	7
SolaStrut® SolarBallast- II .....	9
SolaStrut® SolarBallast-III .....	11
SolaStrut® SolarMatrix- I .....	13
SolaStrut® SolarMatrix- II .....	15
SolaStrut® SolarMatrix-III .....	17
SolaStrut® Single Pile.....	19
SolaStrut® Montanic Racking.....	21
EcoStrut® Carport.....	25
EcoStrut® Agricultural Greenhouse.....	27





# SolaStrut Tin Roof Mounting System

## The Universal Rooftop Mounting System



The Mount Makers SolaStrut Tin Roof Mounting System is suitable for most types of tin roofs worldwide. It provides a simple and cost-effective solution for mounting all framed and frameless solar panels currently on the market. The Mount Makers' range of mounting interfaces provide fast and intelligent fixation for different tin roofs, so it's readily available for virtually every conceivable mounting application.

Technical Features	
Installation Site	Tin roof
Wind Load	88m/ s
Snow Load	20cm
Span range	1.2m~1.7m
Distance between modules and roofs	About 100mm
Applicable Module:	Framed or frameless
Module Orientation:	Landscape or portrait
Standards:	AS/NZS 1170 GB50009-2012 DIN1055
Material:	AL 6005-T5, anodised
Service Life:	25 Years

Key Benefits	
<b>Easy Installation</b>	Planning and highly pre-assembled system making the solution time and cost effective.
<b>Versatile Application</b>	With a full range of clamps or brackets, SolaStrut Tin Roof Mounting System is suitable for most roofing types.
<b>Great Compatibility</b>	Design as a universal PV mounting system, SolaStrut Tin Roof is compatible with most of the framed or frameless PV modules on the market.
<b>High Quality</b>	Strict quality control over materials and finished products ensure optimum strength and long life for your installation.
<b>10 Years Warranty</b>	The Mount Makers provides a 10 years product warranty for your peace of mind.

## SolaStrut Tin Roof Parts

### The Universal Rooftop Mounting System XR1002

The Mount Makers Tile Roof Mounting System is ideal for installations on pitched, tile roofs inc lined anywhere between 5° and 60°. It accommodates all framed and frameless solar panels currently on the market. The Mount Makers' range of mounting interfaces provide fast and intelligent fixation for different tile roofs, so it's readily available for virtually every conceivable mounting application.

#### Tile Roof Parts

XR-IC-SB-20

Inter Clamp



Details with 1 inside hexagonal bolt & flat washer & spring washer & slider nut



Remarks match with adaptive rail

XR-EC-020

End clamp



Details with 1 inside hexagonal bolt & flat washer & spring washer & slider nut



Remarks match with adaptive rail

XR-TH-10

Adjustable Hook



Details with T Bolt & Lock Washer & Spring Washer & Wood screw



Remarks match with Tile Roof Mounting System

XR-R-009

Rail



Details 40\*40



Remarks be in common use

XR-RS-002

Rail Joiner



Details match with XR-R-002



Remarks match with adaptive rail



# SolaStrut Tile Roof Mounting System

## The Universal Rooftop Mounting System

The Mount Makers SolaStrut Tile Roof Mounting System is ideal for installations on pitched, tile roofs inclined anywhere between 5° and 60°. It accommodates all framed and frameless solar panels currently on the market. The Mount Makers' range of mounting interfaces provide fast and intelligent fixation for different tile roofs, so it's readily available for virtually every conceivable mounting application.



Technical Features	
Installation Site	Pitched or tile roof
Wind Load	88m/s
Snow Load	70cm
Span range	0.6m~1.5m
Distance between modules and roofs	About 100mm
Height tolerance	±15mm
Applicable Module:	Framed or frameless
Module Orientation:	Landscape or portrait
Standards:	AS/NZS 1170 MCS012 DIN1055
Material:	AL 6005-T5, anodised
Service Life:	25 Years

Key Benefits
<b>Easy Installation</b> Planning and highly pre-assembled system making the solution time and cost effective.
<b>Versatile Application</b> With a full range of hooks or brackets, SolaStrut Tile Roof Mounting System is suitable for most roofing types.
<b>Great Compatibility</b> Design as a universal PV mounting system, SolaStrut Tile Roof is compatible with most of the framed or frameless PV modules on the market.
<b>High Quality</b> Strict quality control over materials and finished products ensure optimum strength and long life for your installation.
<b>10 Years Warranty</b> The Mount Makers provides a 10 years product warranty for your peace of mind.

## SolaStrut Tile Roof Parts

<b>XR-R-002</b> 	<b>SolaStrut Rail</b> <ul style="list-style-type: none"> <li>AL6005-T5, anodised</li> <li>Standard length: 1100mm/1750mm 2100mm/4200mm</li> </ul>	<b>XR-RS-002</b> 	<b>SolaStrut Rail Joiner</b> <ul style="list-style-type: none"> <li>AL6005-T5, anodised</li> </ul>
<b>XR-TH-01</b> 	<b>SolaStrut Clay Tile Hook</b> <ul style="list-style-type: none"> <li>Clay Tile Roof Hook (Standard)</li> <li>Standard T Bolt 25mm</li> <li>Lock Washer 8 A2</li> <li>Spring Washer M8</li> <li>Wood screw ST6.3*80mm</li> </ul>	<b>XR-TH-08</b> 	<b>SolaStrut Clay Tile Hook</b> <ul style="list-style-type: none"> <li>Clay Tile Roof Hook (Adjustable)</li> <li>Hexagon Head Bolt</li> <li>Lock Washer 8 A2</li> <li>Spring Washer M8</li> <li>Wood screw ST6.3*80mm</li> </ul>
<b>XR-IC</b> 	<b>SolaStrut Inter Clamp</b> <ul style="list-style-type: none"> <li>35mm, 40mm, 46mm, 50mm</li> <li>Silver or black</li> </ul>	<b>XR-EC</b> 	<b>SolaStrut End Clamp</b> <ul style="list-style-type: none"> <li>35mm, 40mm, 46mm, 50mm</li> <li>Silver or black</li> </ul>
<b>XR-EL-01</b> 	<b>SolaStrut Earthing Lug</b> <ul style="list-style-type: none"> <li>AL 6063-T5 and SUS304 Hex</li> <li>Socket Head Bolt M8 X 25 A2-70</li> </ul>	<b>XR-EP</b> 	<b>SolaStrut Earthing Plate</b> <ul style="list-style-type: none"> <li>SUS 304</li> </ul>



### SolaStrut Clamp

XR-IC-TF-1 SolaStrut Inter Clamp, Thin Film



- 5mm-9mm range
- Silver or black

XR-EC-TF-1 SolaStrut End Clamp, Thin Film



- 5mm-9mm range
- Silver or black

### Tin Roof Clamp

XR-TB-005 SolaStrut Standing Seam Roof Bracket



- Standing Seam Roof Bracket
- Inside Hexagon head bolt M8\*25
- Lock washer 8 A2
- Spring washer M8

XR-TB-006 SolaStrut Universal Roof Bracket



- Universal Roof Bracket
- Hexagon head bolt M8\*70
- Lock washer 8 A2
- Spring washer M8

XR-FD-005 SolaStrut Tin Bracket



- Tin Bracket
- Rubber
- Tapping screw ST6.3\*25mm

XR-R-012 SolaStrut U Tin Bracket



- U Tin Bracket
- Rubber
- Tapping screw ST6.3\*80mm

XR-TB-019 SolaStrut SS Tin Bracket



- SS Tin Bracket
- Rubber
- Tapping screw ST6.3\*25

XR-TB-007 SolaStrut Kliplik Interface 406/700



- Kliplik 406, Kliplik 700, Speed Deck Ultra Interface
- Hex Socket Head Bolts M8 x25 A2-70
- Compatible with tilt legs and clamps

### Tile Roof Hook

XR-TH-02 SolaStrut Clay Tile Hook



- Clay Tile Roof Hook
- Standard T Bolt 25mm
- Lock Washer 8 A2
- Spring Washer M8
- Wood screw ST6.3\*80mm

XR-TH-06 SolaStrut Heavy Clay Tile Hook



- Heavy Clay Roof Hook
- Standard T Bolt 25mm
- Lock Washer 8 A2
- Spring Washer M8
- Wood screw ST6.3\*80mm

XR-TH-10 SolaStrut Heavy Clay Tile Hook



- Heavy Clay Roof Hook(Adjustable)
- Hexagon Head Bolt M8 X25
- Lock Washer 8 A2
- Spring Washer M8
- Wood screw ST6.3\*80mm

ZJK-TH-01 SolaStrut Flat Tile Hook



- Flat Tile Roof Hook
- Standard T Bolt 25mm
- Lock Washer 8 A2
- Wood Screw ST6.3\*80

### Other Roof Mounting System

XR-TL-10/15,15/30,30/60



SolaStrut Tilt Legs, adjustable

- 10 to 15, 15 to 30 and 30 to 60 degree range
- Square tubes and thick aluminum tube wall
- Larger Max. support spacing than others
- Corrosion resistant wood screws
- EPDM waterproof gaskets
- 1 screw option or 2 screws options through the roofing material into purlins

XR-TF-10/15,15/30,30/60



SolaStrut Triangle Frame, adjustable

- 10 to 15, 15 to 30 and 30 to 60 degree range
- Thick angle aluminum profile
- Larger Max. support spacing than others
- Corrosion resistant wood screws and EPDM waterproof gaskets
- Suitable for application on metal sheet roof and concrete foundation.

### Other Parts

XR-PC SolaStrut Panel Clip



- SUS 304
- Flexible

XR-IB SolaStrut Isolator Bracket



- SUS 304 or aluminum
- Hex Socket Head Bolt M8 x 25 A2-70
- Weatherproof
- Customized size

XR-WR-FB

SolaStrut Waterproof rubber

- EPDM

XR-EL-02

SolaStrut Electric Lead



- CU or Al

XR-CT-BL

SolaStrut SS Cable Tie, Ball-Lock



- 5mm x 200mm/350mm
- Ball Lock type
- SUS 304
- Silver or PVC coating

XR-CT-LD

SolaStrut SS Cable Tie, Ladder



- 5mm x 200mm/350mm
- Ladder type
- SUS 304
- Silver or PVC coating



# SolaStrut SolarBallast I

## The Universal Non-Penetrating PV Mounting System

SolaStrut SolarBallast I is a non-penetrating mounting system for flat roof installation. It has been developed as a universal framed PV module mounting system suitable for tilt angles of 5 degree. The portable design makes the installation easily, and the whole stainless steel makes the structure stronger and keeping away from rust.



Technical Features	
Installation Site	Flat roof
System Tilt Angle	5°
Wind load	30m/s
Snow load	30cm
Base Design	Anti-slipping
Applicable Module	Framed
Module Orientation	Landscape
Standards	JIS C8955:2017 BS EN 1991-1-1-4:2005
Structure Material	Stainless steel
Service Life	25 years

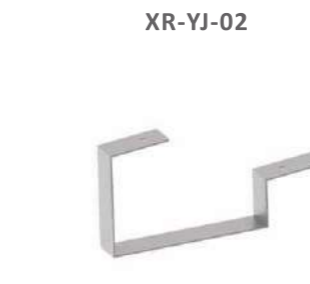
Key Benefits
<p><b>Easy Installation</b></p> <p>Portable design makes the installation easily and cost effective.</p>
<p><b>Non-Penetrating</b></p> <p>Combines the best of ballast to avoid the need for penetrating the roof with fasteners.</p>
<p><b>Great Compatibility</b></p> <p>Designed as a universal PV mounting system, SolaStrut SolarBallast I is compatible with most of the framed PV modules on the market.</p>
<p><b>High Quality</b></p> <p>Strict quality control over materials and finished products ensure optimum strength and long life for your installation.</p>
<p><b>10 Years Warranty</b></p> <p>The Mount Makers provides a 10 years product warranty for your peace of mind.</p>



XR-YJ-01

Solarballast –I Front foundation

- Stainless steel
- Shot blasting



XR-YJ-02

Mid foundation

- Stainless steel
- Shot blasting



XR-YJ-03

Rear Foundation

- Stainless steel
- Shot blasting



XR-EC-006

End clamp

- Anodised aluminum
- M8 A2-70 Hex socket Head Bolt



XR-GJ-002

Separator

- Anodised aluminum
- M8 A2-70 Hex Bolt



# SolaStrut SolarBallast II

## The Universal Non-Penetrating PV Mounting System



SolaStrut SolarBallast II is a non-penetrating mounting system for commercial flat roof installation. It has been developed as a universal framed PV module mounting system suitable for tilt angles of 20 degree. The flexible and scalable design makes SolarBallast II your premium solution for flat roofs. Combining ballast and wind shield, The Mount Makers reduces the load to the roof.

Technical Features	
Installation Site	Flat roof
System Tilt Angle	20°
Wind load	40m/s
Snow load	70cm
Applicable Module	Framed
Module Orientation	Landscape
Standards	TUV IBC 2006
Bottom Material	SIKA Non-slip mat
Structure Material	Anodised aluminum
Service Life	25 years

Key Benefits
<b>Easy Installation</b> Planning and highly pre-assembled system making the solution time and cost effective.
<b>Non-Penetrating</b> Combines the best of ballast and wind shield to avoid the need for penetrating the roof with fasteners.
<b>Great Compatibility</b> Designed as a universal PV mounting system, SolaStrut SolarBallast is compatible with most of the framed PV modules on the market.
<b>High Quality</b> Strict quality control over materials and finished products ensure optimum strength and long life for your installation
<b>10 Years Warranty</b> The Mount Makers provides a 10 years product warranty for your peace of mind.

XR-SB-SB

SolarBallast Short Base



- ⊙ Anodise aluminum
- ⊙ AL6063
- ⊙ Non-slip mat

XR-LB-SB

SolarBallast Long Base



- ⊙ Anodise aluminum
- ⊙ AL6063
- ⊙ Non-slip mat

XR-TF-SB

SolarBallast Triangle Frame



- ⊙ Highly Pre-assembly
- ⊙ 20 degree triangle tilt

XR-FD-SB

SolarBallast Front Wind Deflector



- ⊙ Galvanized iron plate
- ⊙ Self-tapping screw
- ⊙ Flat round head bolt

XR-SD-SB

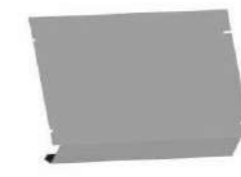
SolarBallast Side Wind Deflector



- ⊙ Galvanized iron plate
- ⊙ Self-tapping screw
- ⊙ Flat round head bolt

XR-BD-SB

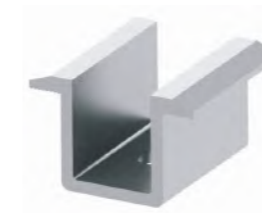
SolarBallast Back Wind Deflector



- ⊙ Galvanized iron plate
- ⊙ Self-tapping screw
- ⊙ Flat round head bolt

XR-IC-SB

SolarBallast Inter Clamp



- ⊙ Anodised aluminum
- ⊙ M8 A2-70 Hex Socket Head Bolt
- ⊙ 35,40,45,50mm

XR-EC-SB

SolarBallast End Clamp



- ⊙ Anodised aluminum
- ⊙ M8 A2-70 Hex Socket Head Bolt
- ⊙ 35,40,45,50mm



# SolaStrut SolarBallast III

## The Universal Non-Penetrating PV Mounting System

SolaStrut SolarBallast III is a non-penetrating mounting system for flat roof installation. It has been developed as a universal framed PV module mounting system suitable for tilt angles of 5 degree.

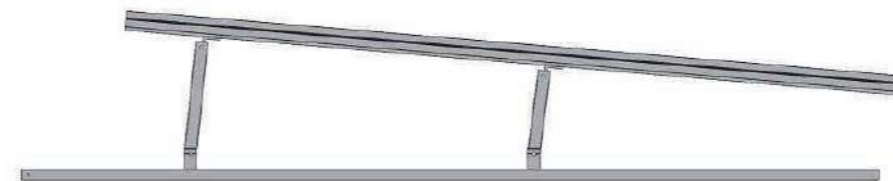


Technical Features	
Installation Site	Flat roof
System Tilt Angle	5°
wind load	41m/ s
Snow load	70cm
Base Design	Anti-slipping
Applicable Module	Framed
Module Orientation	Landscape
Standards	JIS C8955:2017
Material	Anodised aluminum
Service Life	25 Years

Key Benefits
<b>Easy Installation</b> Planning and highly pre-assembled system making the solution time and cost effective.
<b>Non-Penetrating</b> Combines the best of ballast to avoid the need for penetrating the roof with fasteners.
<b>Great Compatibility</b> Designed as a universal PV mounting system, SolaStrut SolarBallast III is compatible with most of the framed PV modules on the market.
<b>High Quality</b> Strict quality control over materials and finished products ensure optimum strength and long life for your installation
<b>10 Years Warranty</b> The Mount Makers provides a 10 years product warranty for your peace of mind.



main parts①  
Anodised aluminum  
Pre installation



main parts②  
Anodised aluminum  
Pre installation

XR-IC-013

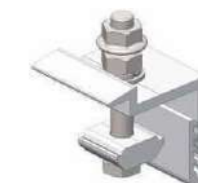
Inter Clamp



⊙Anodised aluminum

XR-EC-021

End Clamp



⊙Anodised aluminum  
The thickness of panel can be corresponded between 30mm to 46mm.

XR-LDT-007

Wind Deflector



⊙Anodised aluminum

XR-SN-009

Oblique beam



⊙Anodised aluminum

XR-RS-003-2

Base Rail Connector



⊙Anodised aluminum

XR-LDT-007

Cable-Stayed



⊙Anodised aluminum



# SolaStrut SolarMatrix-I

The Most Effective Ground Mount Solution for Residential through to Utility Scale



The Mount Makers SolaStrut SolarMatrix-I is one of the most innovative, pre-assembled support and durable ground mount system. It is designed to be mounted in poured concrete pads or on ground screws. This system is in commonly use for residential through to utility scale worldwide. By using high quality engineered components, SolaStrut SolarMatrix-I saves developers, operators and installers time and money when delivering large scale projects.

Patent number: ZL 2016 2 0115850.0/ JP 3204297

Technical Features	
Installation Site:	Open field
Foundation:	Concrete Base or ground screw
System Tilt Angle:	Generally 0-33 degree and other special angles
Wind Load:	88m/s
Snow Load:	70cm
Applicable Module:	Framed or frameless
Module Orientation:	Landscape or portrait
Standards:	AS/NZS 1170 JIS C8955:2017 DIN1055 IBC 2006 BS EN 1991-1-1-4:2005
Material:	Anodised aluminum
Service Life:	25 Years

Key Benefits	
<b>Easy Installation</b>	Planning and highly pre-assembled system making the solution time and cost effective.
<b>Versatile Application</b>	The grounding of open area plants on concrete foundations or ground screw for residential through to utility scale.
<b>Great Compatibility</b>	Design as a universal PV mounting system, SolaStrut SolarMatrix- I is compatible with most of the framed or frameless PV modules on the market.
<b>High Quality</b>	Strict quality control over materials and finished products ensure optimum strength and long life for your installation.
<b>10 Years Warranty</b>	The Mount Makers provides a 10 years product warranty for your peace of mind.

XR-FC-SM-I



SolarMatrix-I Column

- ⊙ Anodised aluminum
- ⊙ Pre-assembled
- ⊙ Flexible

XR-FD-001



SolarMatrix-I Column Base

- ⊙ Anodised aluminum
- ⊙ 100mm x 100mm or 100mm x 200mm

XR-B-001



SolarMatrix-I Main Beam

- ⊙ Anodised aluminum
- ⊙ Customized Length

XR-BC-001



SolarMatrix-I Beam Splice

- ⊙ Anodised aluminum
- ⊙ Standard Length: 400mm

XR-R-001



SolarMatrix-I Rail

- ⊙ Anodised aluminum
- ⊙ Standard Length: 3100mm or 4100mm

XR-RS-001



SolarMatrix-I Rail Splice

- ⊙ Anodised aluminum
- ⊙ Standard Length: 400mm

XR-CDT-001



SolarMatrix-I Diagonal Tie

- ⊙ Anodised aluminum
- ⊙ Thick aluminum wall

XR-LC-SM-I



SolarMatrix-I Locking Clamp

- ⊙ Anodised aluminum
- ⊙ Universal

XR-IC-SM-I



SolarMatrix-I Inter Clamp

- ⊙ Anodised aluminum
- ⊙ Flexible

XR-EC-SM-I



SolarMatrix-I End Clamp

- ⊙ Anodised aluminum
- ⊙ Flexible

XR-BE-SM-I



SolarMatrix-I Beam End Cap

- ⊙ ABS

XR-RE-SM-I



SolarMatrix-I Rail End Cap

- ⊙ ABS



# SolaStrut SolarMatrix-II

## The Cost-Effective Ground Mount Solution for Large Scale Project

The Mount Makers SolaStrut SolarMatrix-II uses hot-dip galvanized, high class steel pipe either embedded directly into the ground, fixed with anchor bolts into concrete or mounted on ground screws. The system is ideally suited to pre-assembly and is suitable for uneven surfaces. The solution is mostly common used in solar scale project with most cost-effective.



Technical Features	
Installation Site:	Open field
Foundation:	Concrete Base or ground screw
System Tilt Angle:	0~40 degree
Wind Load:	38m/s
Snow Load:	100cm
Applicable Module:	Framed or frameless
Module Orientation:	Landscape or portrait
Standards:	JIS C8955:2017 DIN1055 IBC 2006 BS EN 1991-1-1-4:2005
Material:	Hot Dip galvanized Q235, 80µm
Service Life:	25 Years

Key Benefits
<b>Easy Installation</b> Planning and highly pre-assembled system making the solution time and cost effective.
<b>Versatile Application</b> The grounding of open area plants on concrete foundations or ground screw for residential through to utility scale.
<b>Great Compatibility</b> Design as a universal PV mounting system, SolaStrut SolarMatrix- II is compatible with most of the framed or frameless PV modules on the market.
<b>High Quality</b> Strict quality control over materials and finished products ensure optimum strength and long life for your installation.
<b>10 Years Warranty</b> The Mount Makers provides a 10 years product warranty for your peace of mind.

XR-FC-SM-02



SolarMatrix-II Front Column

☉ Hot dip galvanized Q235/Q345

XR-SJ-02



SolarMatrix-II Triangular Connector

☉ Hot dip galvanized Q235

XR-MB-SM-II



SolarMatrix-II Main Beam

☉ Hot dip galvanized Q235/Q345 41×72×2.5mm

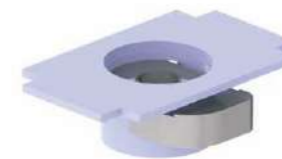
XR-ST-SM-II



SolarMatrix-II Stringer

☉ Hot dip galvanized Q235/Q345 41×72×2.5mm

XR-LC-SM-II



SolarMatrix-II Locking Clamp

☉ Hot dip galvanized Q235

XR-IC-SM-II



SolarMatrix-II Inter Clamp

☉ Anodised aluminum  
☉ M8 A2-70 Hex Socket Head Bolt  
☉ 35,40,45,50mm

XR-EC-SM-II



SolarMatrix-II End Clamp

☉ Anodised aluminum  
☉ M8 A2-70 Hex Socket Head Bolt  
☉ 35,40,45,50mm

XR-ZT-001



SolarMatrix-II Inter Pallet

☉ Anodised aluminum

XR-BT-001



SolarMatrix-II End Pallet

☉ Anodised aluminum



# SolaStrut SolarMatrix-III

## The Cost-Effective Ground Mount Solution for Large Scale Project



The Mount Makers SolaStrut SolarMatrix-III is made of all-aluminium alloy and has better corrosion resistance than steel. As a new type of sunlight folding bracket, it has the characteristics of wide application, adjustable angle and simple construction. After rigorous calculation and testing, the bracket can also be installed and used in harsh environment.

Technical Features	
Installation Site:	Open field
Foundation:	Concrete Base or ground screw
System Tilt Angle:	0~45 degree
Wind Load:	38m/s
Snow Load:	85cm
Applicable Module:	Framed or frameless
Module Orientation:	Landscape
Standards:	JIS C8955:2017 DIN1055 AS/NZS 1170 Euro Code8
Material:	Anodised aluminum
Service Life:	25 Years

Key Benefits
<b>Easy Installation</b> Planning and highly pre-assembled system making the solution time and cost effective.
<b>Versatile Application</b> The grounding of open area plants on concrete foundations or ground screw for residential through to utility scale.
<b>Great Compatibility</b> Design as a universal PV mounting system, SolaStrut SolarMatrix-III is compatible with most of the framed or frameless PV modules on the market.
<b>High Quality</b> Strict quality control over materials and finished products ensure optimum strength and long life for your installation.
<b>10 Years Warranty</b> The Mount Makers provides a 10 years product warranty for your peace of mind.



SolaStrut Truss

⊙AL6005T5, anodised  
⊙Pre installation

XR-B-001

SolaStrut Skew Beam



⊙AL6005T5, anodised

XR-R-031-1

SolaStrut Rail



⊙AL6005T5, anodised

XR-FC-011

EcoStrut Column



⊙AL6005T5, anodised

XR-FD-020

SolaStrut Column Joiner



⊙AL6005T5, anodised

XR-IC-SB-26

SolaStrut Inter Clamp



⊙AL6005T5, anodised

XR-EC-020-40

SolaStrut End Clamp



⊙AL6005T5, anodised



# SolaStrut Single Pile

## The Universal Adjustable Single Pile Mount Solution






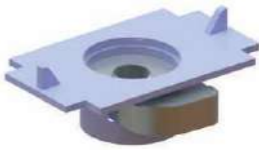


The Mount Makers SolaStrut Single Pile use hot dip,galvanized,y-shaped pile as thecolumn and embedded directly into the ground.It has been developed as a universalframed or frameless PV module mounting systemsuitable for tile tilt angles from 10 degree to 60 degree.



Patent number: ZL 2016 20976035.3/ JP 3207919

Technical Features	
Installation Site	Open field
Foundation	Pile
Soil conditions	Non-sandy
Wind load	36m/s
Snow load	55cm
Applicable Module	Framed or frameless
Module Orientation	Portrait
Standards	JIS C8955:2017 DIN1055 IBC 2006 BS EN 1991-1-1-4:2005
Structure Material	Hot dip galvanized Steel
Service Life	25 years

Key Benefits
<b>Easy Installation</b> Portable design makes the installation easily and cost effective.
<b>Versatile Application</b> The grounding of open area plants for big project.
<b>Great Compatibility</b> Design as a universal PV mounting system, SolaStrut Single Pile is compatible with most of the framed or frameless PV modules on the market.
<b>High Quality</b> Strict quality control over materials and finished products ensure optimum strength and long life for your installation.
<b>10 Years Warranty</b> The Mount Makers provides a 10 years product warranty for your peace of mind.

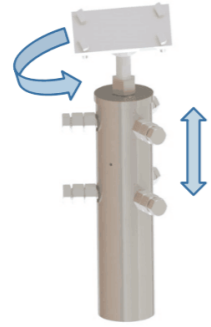
 <p><b>XR-SP</b> Single Pile Column</p> <ul style="list-style-type: none"> <li>Hot dip galvanized Q235 152×108×3mm</li> </ul>	 <p><b>XR-MB-SM-II</b> Single Pile Rail</p> <ul style="list-style-type: none"> <li>Hot dip galvanized Q235 41×7.2×2.5mm</li> </ul>
 <p><b>XR-JG-01</b> Single Pile Diagonal Tie</p> <ul style="list-style-type: none"> <li>Hot dip galvanized Q235 50×50×4mm</li> </ul>	 <p><b>XR-CG-01</b> Single Pile Stringer</p> <ul style="list-style-type: none"> <li>Hot dip galvanized Q235 120×50×15×2.5mm</li> </ul>
 <p><b>XR-JG-01</b> Single Pile Inter Support</p> <ul style="list-style-type: none"> <li>Hot dip galvanized Q235 50×50×4mm</li> </ul>	 <p><b>XR-LC-SM-II</b> Single Pile Locking Clamp</p> <ul style="list-style-type: none"> <li>Hot dip galvanized Q235</li> </ul>
 <p><b>XR-IC-SM-II</b> Single Pile Inter Clamp</p> <ul style="list-style-type: none"> <li>Anodised aluminum</li> <li>M8 A2-70 Hex Socket Head Bolt</li> <li>35,40,45,50mm</li> </ul>	 <p><b>XR-EC-SM-II</b> Single Pile End Clamp</p> <ul style="list-style-type: none"> <li>Anodised aluminum</li> <li>M8 A2-70 Hex Socket Head Bolt</li> <li>35,40,45,50mm</li> </ul>



# SolaStrut Montanic Racking

## The Special Montanic Mount Solution

The Mount Makers SolaStrut Montanic Racking use hot-dip galvanized and aluminum structure. It has been developed as a universal framed or frameless PV module mounting system suitable for tilt angles from 0 to 40 degree. The solution is specially used for the project installed on the uneven ground.



Patent number: ZL 2015 2 0636693.3/ JP 3200837

Technical Features	
Installation Site	Open field
Foundation	Ground screw
System Tilt Angle	10~40 degree
Wind load	41m/s
Snow load	100cm
Applicable Module	Framed or frameless
Module Orientation	Landscape or Portrait
Standards	JIS C8955:2017 DIN1055 IBC 2006 BS EN 1991-1-1-4:2005
Structure Material	Hot dip galvanized steel and Anodised aluminum
Service Life	25 years

Key Benefits
<b>Easy Installation</b> Planning and highly pre-assembled system making the solution time and cost effective.
<b>Targeted Application</b> The grounding of open area plants for uneven land. Can adjust the angle from every direction.
<b>Great Compatibility</b> Design as a universal PV mounting system, SolaStrut Montanic Racking is compatible with most of the framed or frameless PV modules on the market.
<b>High Quality</b> Strict quality control over materials and finished products ensure optimum strength and long life for your installation.
<b>10 Years Warranty</b> The Mount Makers provides a 10 years product warranty for your peace of mind.

XR-N76\*XXXX



Montainic Ground Screw

- Hot dip galvanized Q235
- M16 Hex Bolt

XR-LZ-05



Montainic Column

- Hot dip galvanized Q235
- Cardan shaft
- M8 T-bolt
- 0~100mm adjustable range

XR-JG-01



Montanic Diagonal Tie

- Hot dip galvanized Q235

XR-BG-01



Montanic hoop

- Hot dip galvanized Q235

XR-MB-SM-I



SolarMatrix-I Main Beam

- Anodised aluminum
- Customized Length

XR-BS-SM-I



SolarMatrix-I Beam Splice

- Anodised aluminum
- Standard Length: 400mm

XR-SB-SM-I



SolarMatrix-I SolarMatrix-I Rail

- Anodised aluminum
- Standard Length: 3100mm or 4100mm

XR-LC-SM-I



SolarMatrix-I Locking Clamp

- Anodised aluminum
- Universal

XR-IC-SM-I



SolarMatrix-I Inter Clamp

- Anodised aluminum
- Flexible

XR-EC-SM-I



SolarMatrix-I End Clamp

- Anodised aluminum
- Flexible

XR-BE-SM-I



SolarMatrix-I Beam End Cap

- ABS

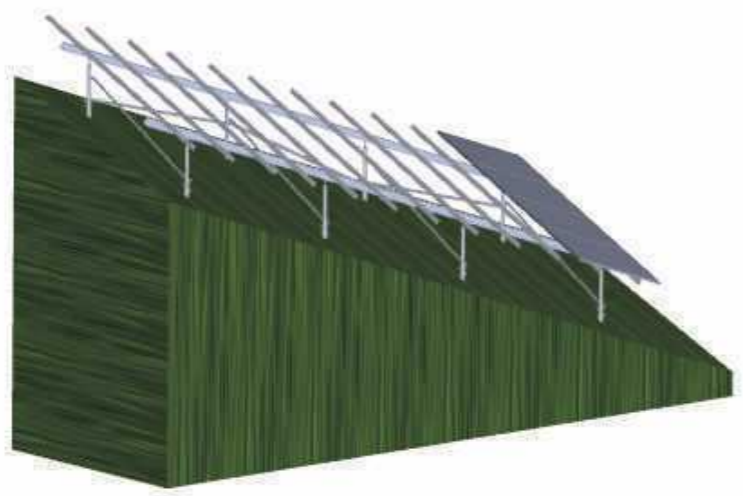
XR-RE-SM-I



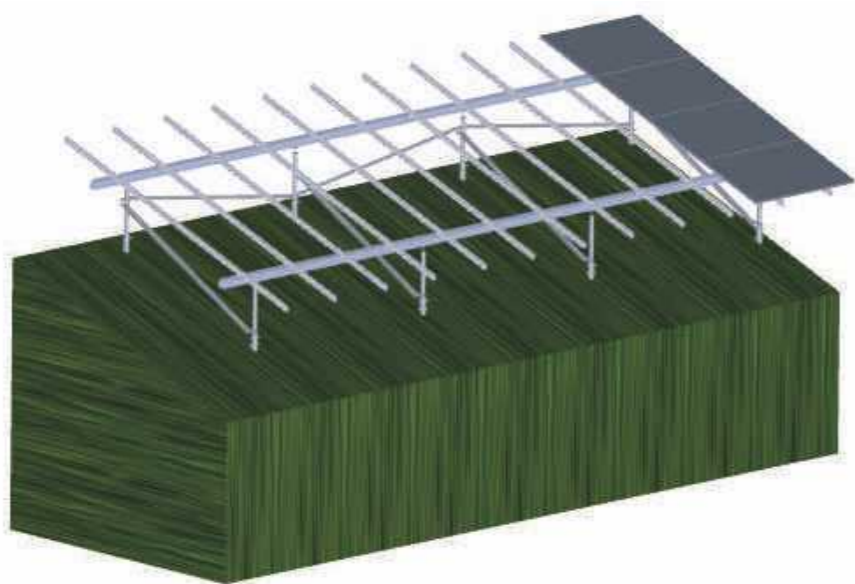
SolarMatrix-I Rail End Cap

- ABS





west-east20°~north-south20°



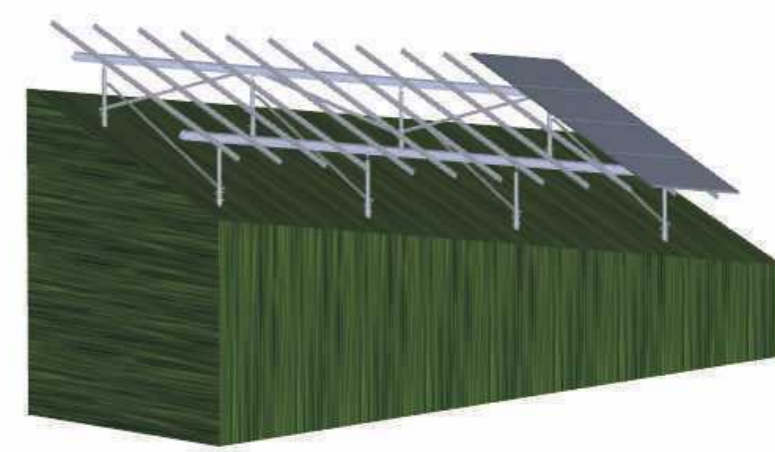
west-east0°~north-south20°



west-east10°~north-south0°



west-east10°~north-south10°



west-east10°~north-south20°



# EcoStrut Carport

## The Multifunctional Solar-powered Carport Solution

The Mount Makers EcoStrut Carport is the most versatile solar carport solution on the market offering several different design options for both single and double rows of parking. Utilizing state of the art production processes, we are able to achieve longer spans between foundations reducing cost and simplifying the installation process. No on-site welding or cutting is necessary to construct this streamlined and architecturally pleasing solar carport.



Technical Features	
Installation Site	Utilizing parking areas
Foundation	Micropile, drilled shaft, and fully ballasted
Tile Angle	5 degree
wind load	46m/ s
snow load	150cm
Applicable Module	Any size framed
Module Orientation	Landscape
Standards	JIS C8955:2017 DIN1055 IBC2006 BS EN 1991-1-1-4 : 2005
Material	Anodised aluminum
Service Life	25 Years

Key Benefits
<b>Easy Installation</b>
Planning and highly pre-assembled system making the solution time and cost effective.
<b>Great Compatibility</b>
Designed as a universal PV mounting system, EcoStrut Carport is compatible with most of the framed PV modules on the market.
<b>High Quality</b>
Strict quality control over materials and finished products ensure optimum strength and long life for your installation
<b>10 Years Warranty</b>
The Mount Makers provides a 10 years product warranty for your peace of mind.

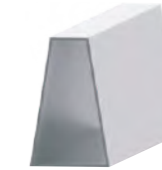
XR-R-016



EcoStrut Rail

⊙AL6005-T5, anodised

XR-RS-007



EcoStrut Rail Joiner

⊙AL6005-T5, anodised

XR-B-004



EcoStrut Main Beam

⊙AL6005-T5, anodised

XR-BC-004



EcoStrut Beam Splice

⊙AL6005-T5, anodised

XR-FC-004



EcoStrut Column

⊙AL6005-T5, anodised

XR-FD-008



EcoStrut Column Joiner

⊙AL6005-T5, anodised

XR-C-004



EcoStrut Locking Clamp

⊙AL6005-T5, anodised  
T-bolt M8\*35

XR-IC-SB-26



EcoStrut Inter Clamp

⊙AL6005-T5, anodised  
⊙Inside Hexgon head bolt  
M8\*55

XR-EC-006-40



EcoStrut End Clamp

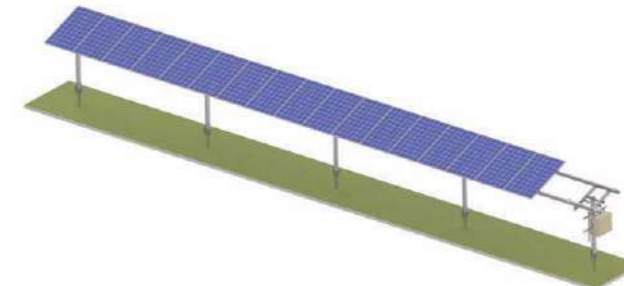
⊙AL6005-T5, anodised  
⊙Inside Hexgon head bolt  
M8\*25



## EcoStrut Agricultural Greenhouse



## EcoStrut Agricultural Greenhouse



Technical Features	
Installation Site	agricultural land
Foundation	single tube
Basic elevation	2500mm~3000mm
Span range	5000mm~5500mm
light transmission	30%
wind load	41m/ s
snow load	150cm
Applicable Module	Framed or frameless
Module Orientation	Landscape or Portrait
Standards	JIS C8955:2017 DIN1055 IBC2006 BS EN 1991-1-1-4 : 2005
Material	Aluminum
Service Live	25 Years

Key Benefits
<b>Easy Installation</b>
Planning and highly pre-assembled system making the solution time and cost effective.
<b>Special applications</b>
This bracket system can be designed according to customer requirements. Adjustment range is 0-45 degrees. Agricultural machines can operate adequately.
<b>Great Compatibility</b>
Designed as a universal PV mounting system,EcoStrut Agricultural Greenhouse is compatible with most of the framed or frameless PV modules on the market.
<b>High Quality</b>
Strict quality control over materials and finished products ensure optimum strength and long life for your installation.
<b>10 Years Warranty</b>
The Mount Makers provides a 10 years product warranty for your peace of mind.

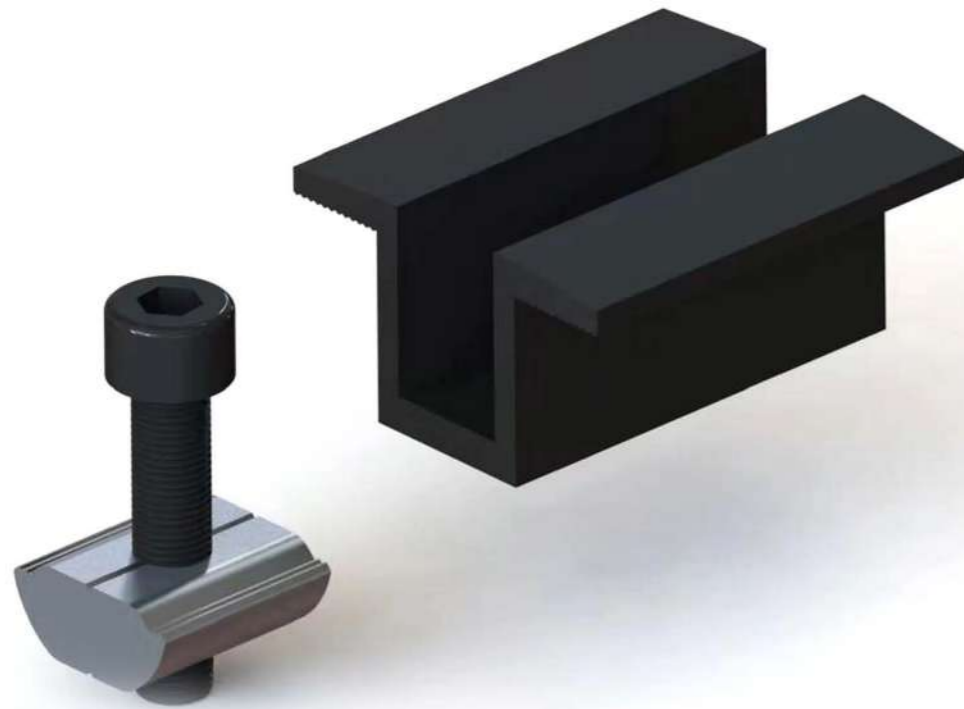
Technical Features	
Installation Site	agricultural land
Foundation	single tube
Basic elevation	2500mm~3000mm
Span range	5000mm~5500mm
light transmission	30%
wind load	41m/ s
snow load	150cm
Applicable Module	Framed or frameless
Module Orientation	Landscape or Portrait
Standards	JIS C8955:2017 DIN1055 IBC2006 BS EN 1991-1-1-4 : 2005
Material	Aluminum
Service Live	25 Years

Key Benefits
<b>Easy Installation</b>
Planning and highly pre-assembled system making the solution time and cost effective.
<b>Special applications</b>
This bracket system can be designed according to customer requirements. Adjustment range is 0-45 degrees. Agricultural machines can operate adequately.
<b>Great Compatibility</b>
Designed as a universal PV mounting system,EcoStrut Agricultural Greenhouse is compatible with most of the framed or frameless PV modules on the market.
<b>High Quality</b>
Strict quality control over materials and finished products ensure optimum strength and long life for your installation.
<b>10 Years Warranty</b>
The Mount Makers provides a 10 years product warranty for your peace of mind.

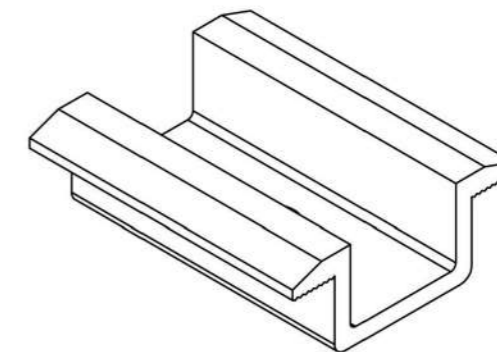
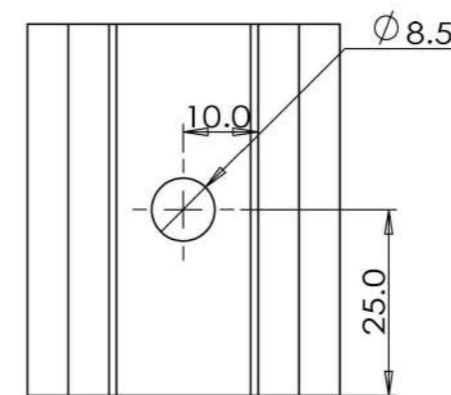
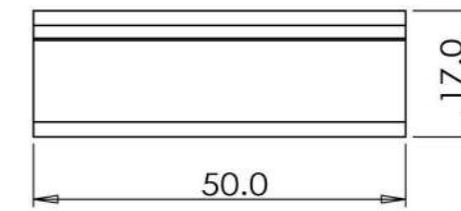
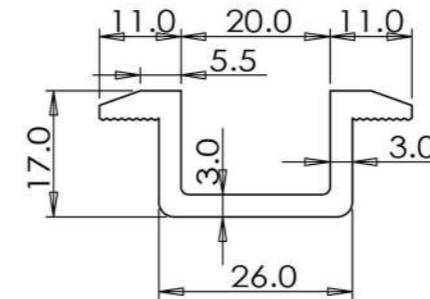
# SolaStrut Tin Roof Mounting System

The Universal Rooftop Mounting System XR1002

XR-IC-SB-20 Inter Clamp



XR-IC-SB-20 Inter Clamp





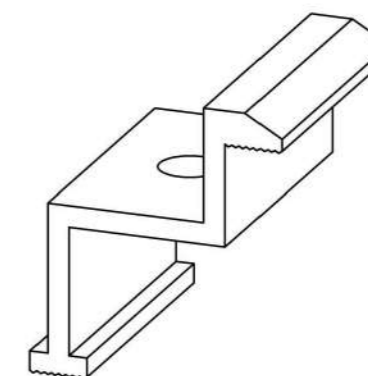
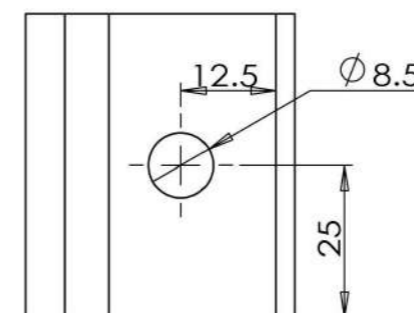
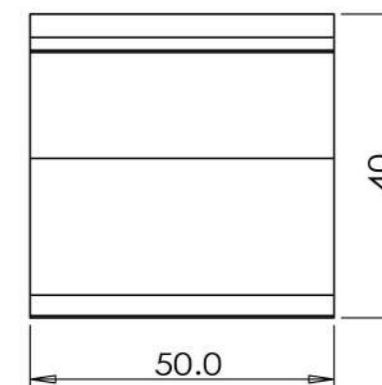
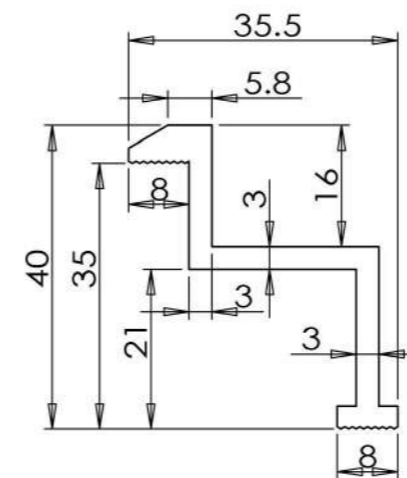
# SolaStrut Tin Roof Mounting System

The Universal Rooftop Mounting System XR1002

XR-EC-20 End Clamp



XR-EC-20 End Clamp



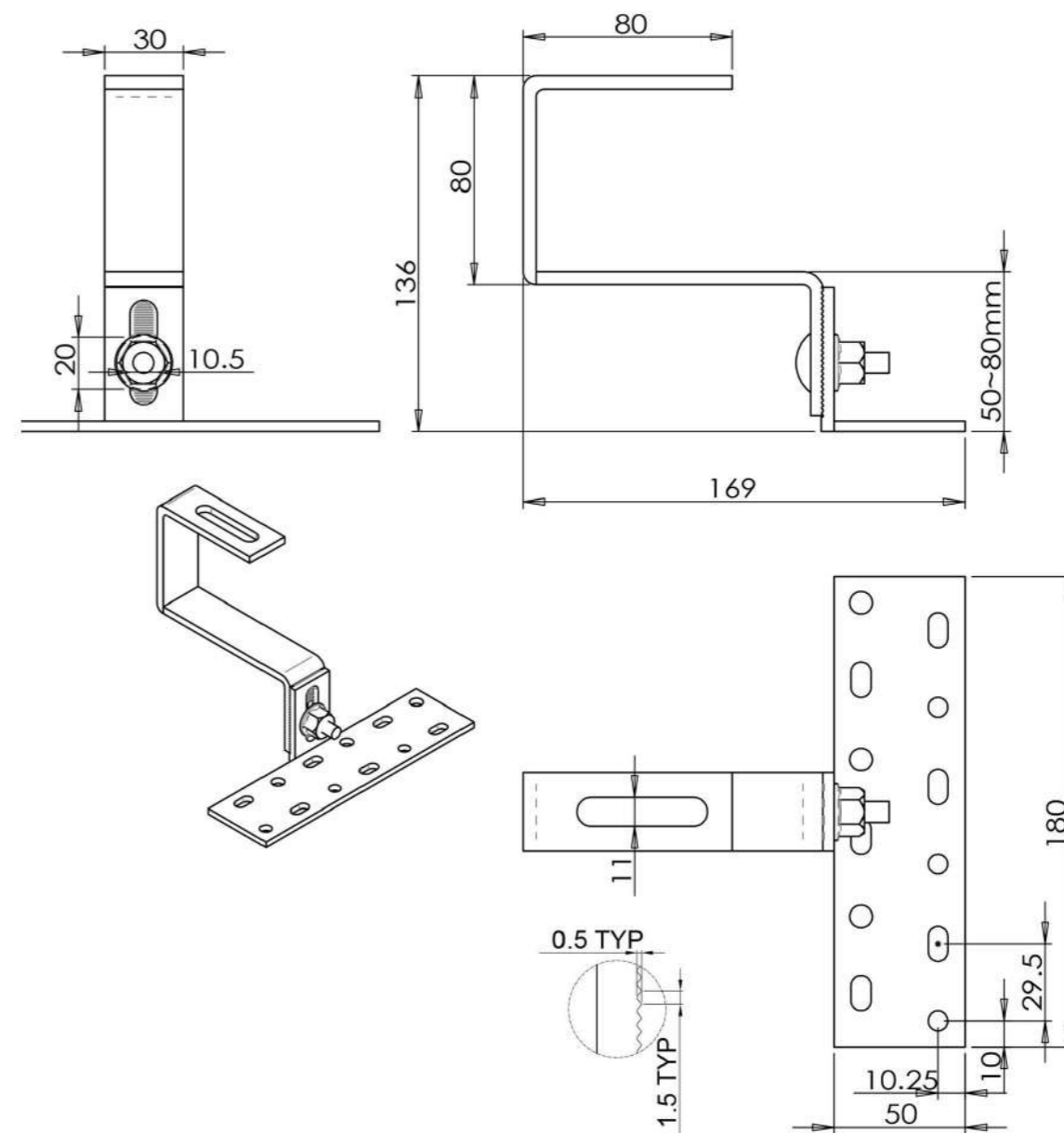
# SolaStrut Tin Roof Mounting System

The Universal Rooftop Mounting System XR1002

XR-TH-10 Adjustable Hook



XR-TH-10 Adjustable Hook



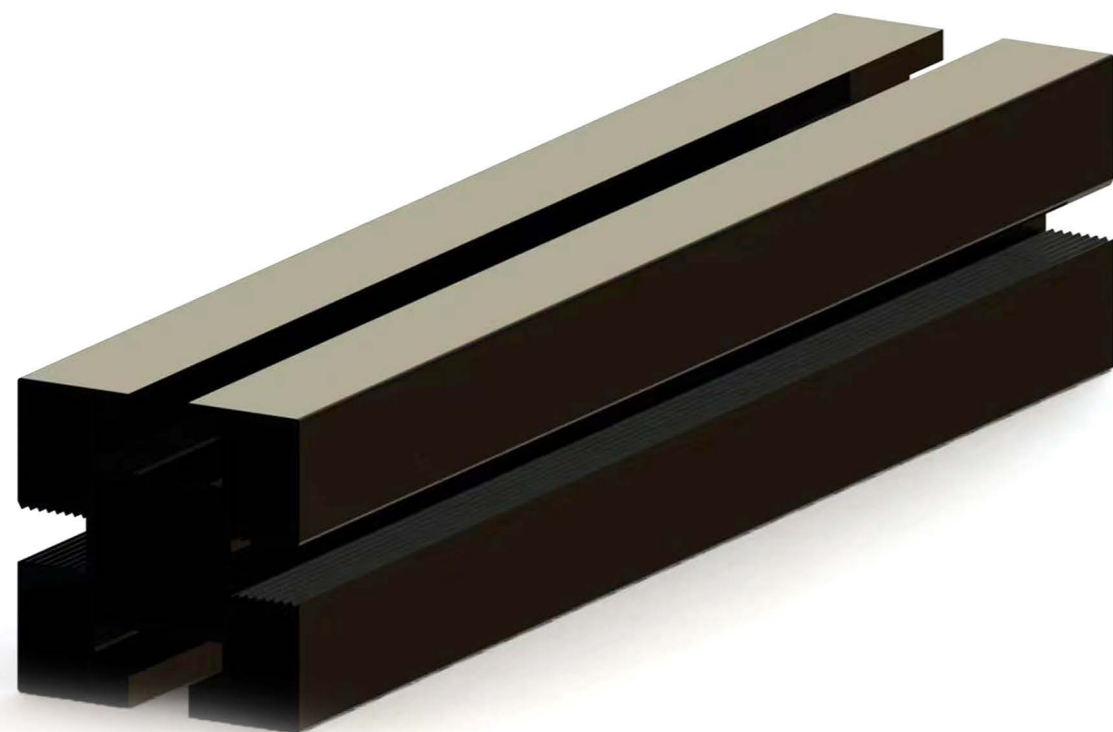




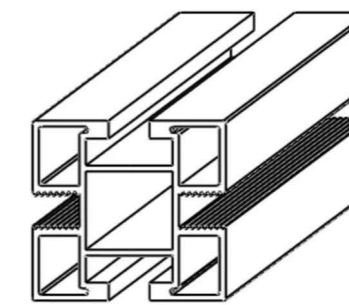
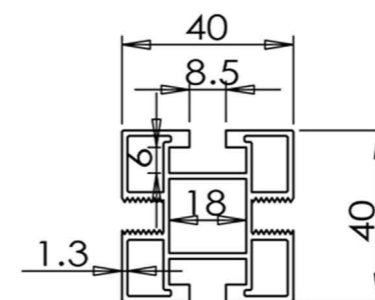
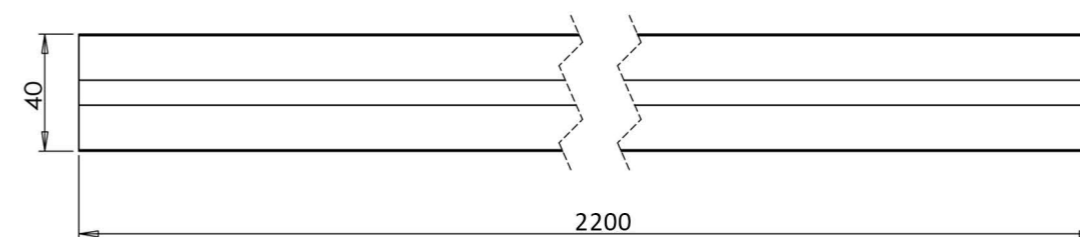
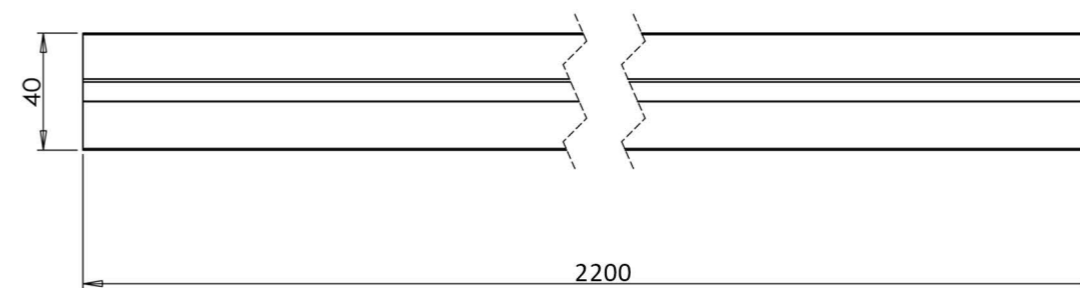
# SolaStrut Tin Roof Mounting System

The Universal Rooftop Mounting System XR1002

XR-R-009 Rail



XR-R-009 Rail



# SolaStrut Tin Roof Mounting System

The Universal Rooftop Mounting System XR1002

XR-RS-002 Rail Joiner

XR-RS-002 Rail Joiner

