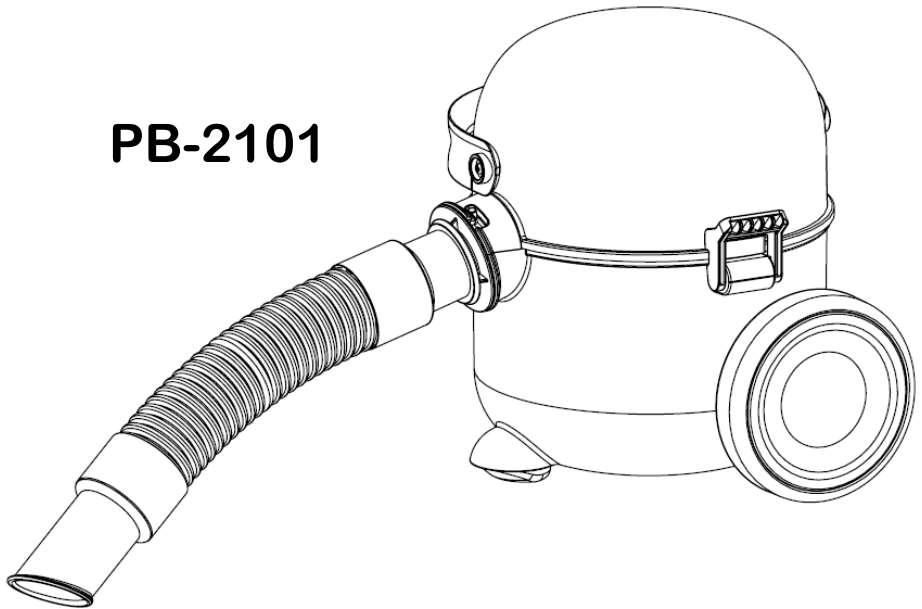


# **pick up** **BRICKS**

**PB-2101**



**PICK UP BRICKS LLC**

---

14435 Benefit Street • Building 4 • Sherman Oaks, CA USA  
customerservice@pickupbricks.com

**WARNING: Please read this Instruction Manual carefully before use and keep it handy for future reference.**

**TURN ON/OFF SWITCH OFF (O) BEFORE CHARGING!  
INTERNAL BATTERIES WILL NOT RECHARGE WHEN  
ORANGE ON/OFF SWITCH IS IN THE ON (I) POSITION**



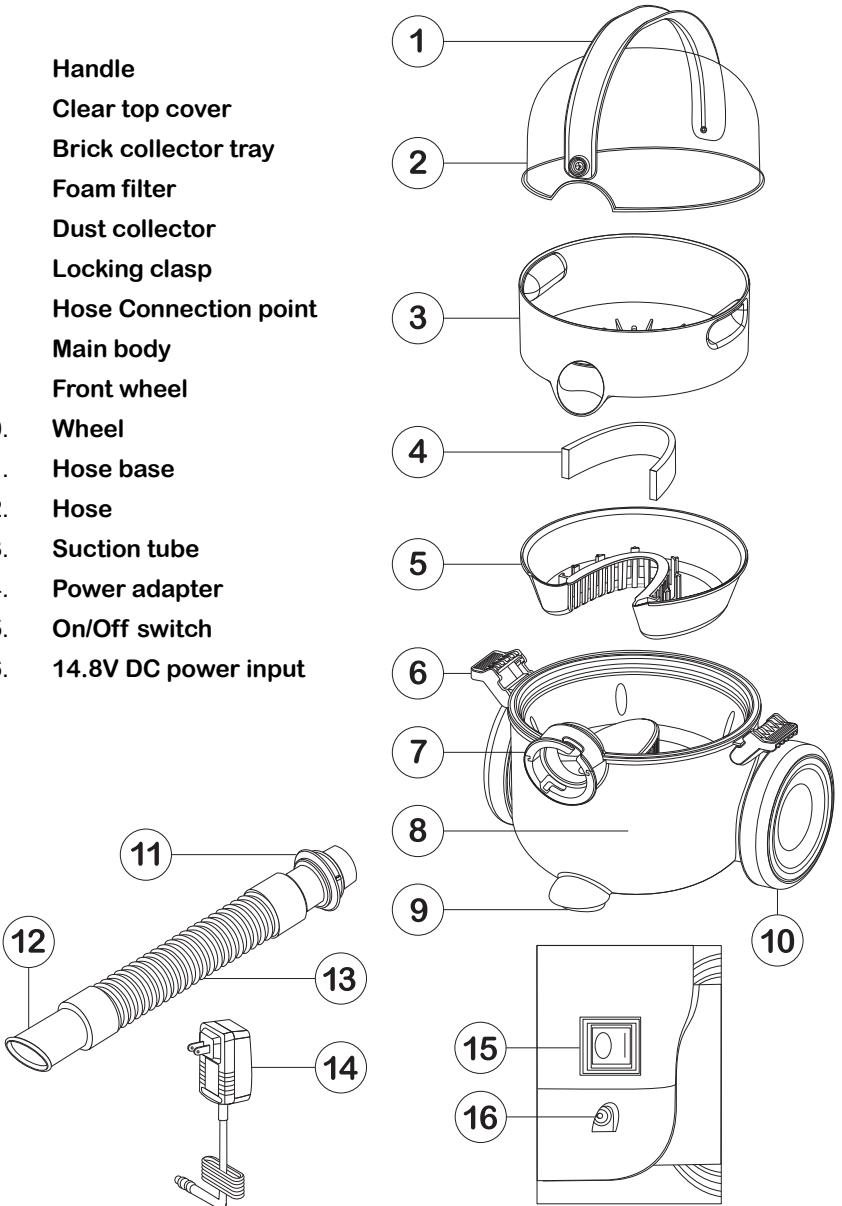
## **SAFETY PRECAUTIONS**

---

1. Do not operate the Pickup Bricks toy vacuum without the *foam filter* installed in the *dust collector*. Doing so could cause damage to the vacuum motor that would not be covered under any warranty.
2. The Pickup Bricks toy vacuum is designed for use by Children aged 5 years and above but can be used safely by anyone over the age of 3.
3. Young children or people with reduced physical, mental, or sensory capabilities should be instructed in the safe use of the Pickup Bricks toy vacuum before allowing unsupervised operation.
4. The Pickup Bricks toy vacuum is designed for light home use only.
5. When unplugging the power adapter from a wall outlet, only pull from the plug. Do not pull on the power cord.
6. Do not use outdoors.
7. Do not leave the Pickup Bricks toy vacuum unattended when it is switched on, as this may be a source of danger.
8. If the supply cord is damaged, it must be replaced by the manufacturer, its service agent, or similarly qualified persons in order to avoid a hazard.
9. Do not use the Pickup Bricks toy vacuum to pick up any of the following objects. Doing so will damage the unit and risk causing injury to both those misusing the vacuum and those in their general vicinity. Additionally, using the device with any items listed here is a fire hazard.
  - o Large or sharp objects
  - o Broken glass
  - o Batteries or any electronic items
  - o Liquids of any kind
  - o Flammable or explosive items
10. Do not use corrosive liquids or strong cleaners to clean the Pickup Bricks toy vacuum, and only clean the vacuum when it is disconnected from the power adapter and turned off.
11. Check the Pickup Bricks toy vacuum power adapter and cords regularly for visible damage.
12. Never attempt to open the Pickup Bricks motor housing or power adapter or remove or replace the plug or power cable by yourself. Always have repairs to the Pickup Bricks toy vacuum carried out by a professional. There is considerable danger to the user if repairs are not performed correctly.
13. Never submerge the Pickup Bricks toy vacuum in water and only operate it if it is thoroughly dry.
14. Only use the Pickup Bricks toy vacuum on dry surfaces.
15. Do not touch the plug or power cable with wet hands.
16. Do not hold the end of the Pickup Bricks suction tube close to people or animals when in operation.
17. Only use the Pickup Bricks with the accessories supplied.
18. The Pickup Bricks toy vacuum must only be charged at the current and voltage specified on the rating label. Only use the power adaptor that is supplied with the Pickup Bricks to charge the internal batteries.
19. The Pickup Bricks toy vacuum utilizes internal Li-ion batteries; do not expose the unit to high temperatures or otherwise attempt to ignite the batteries, as this could cause them to explode.
20. Please keep these instructions in a safe place.

# COMPONENTS

1. **Handle**
2. **Clear top cover**
3. **Brick collector tray**
4. **Foam filter**
5. **Dust collector**
6. **Locking clasp**
7. **Hose Connection point**
8. **Main body**
9. **Front wheel**
10. **Wheel**
11. **Hose base**
12. **Hose**
13. **Suction tube**
14. **Power adapter**
15. **On/Off switch**
16. **14.8V DC power input**



## TECHNICAL DATA

Battery Voltage	Li-ion 14.8V
Battery capacity	2000mAh
Power consumption	100 W
Operating time	15-20mins
Vacuum	above 6.5Kpa
Charge	2-2.5 Hours
Adaptor:	Input 100-240V, 50/60Hz, Output: 17V 800mA

## CHARGING

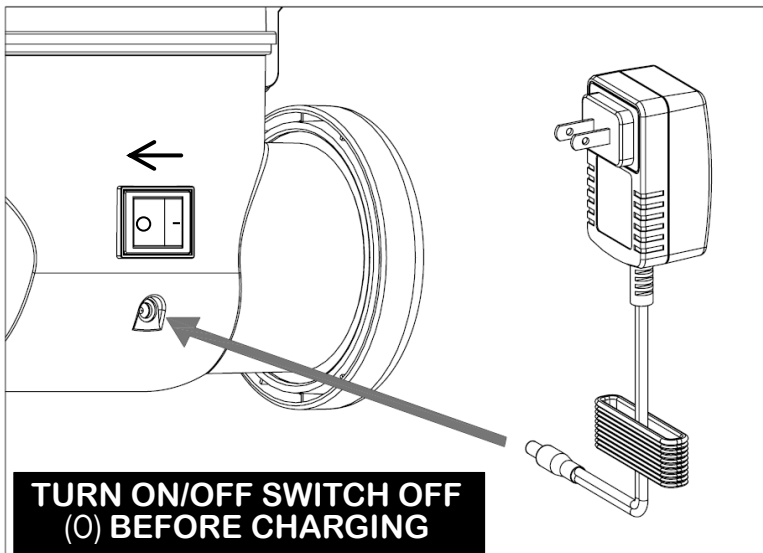
**Battery charging should only be performed by adults who understand the safety precautions.**

First turn off Pickup Bricks – it will not recharge with the switch in the on position even if plugged into the wall. Make sure Pickup Bricks is off by pushing the side of the orange on/off switch marked with a circle (O = off).

Insert the *power adaptor* into the wall socket and then plug the cable into the Pickup Bricks toy vacuum. The color of the light on the adaptor will be red once the power adaptor is connected to both the wall socket and the Pickup Bricks toy vacuum. Remember, it will only charge if the on/off switch is turned off.

It takes approximately 2.5 hours to fully charge the battery before the first use. The light on the power adaptor will turn green when Pickup Bricks is fully charged (as long as the on/off switch is turned off).

The adaptor may become warm during charging - this is normal.

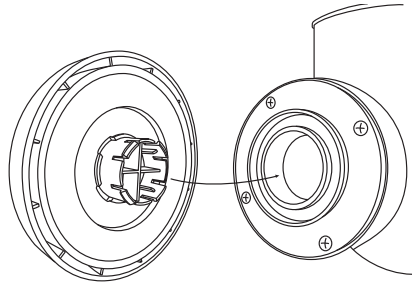


## OPERATING INSTRUCTIONS

**NOTE:** Before using Pickup Bricks, read the instruction book carefully.

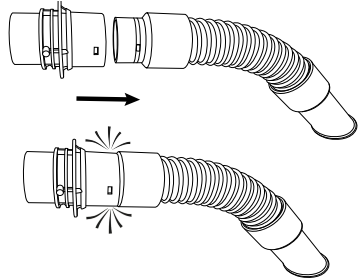
### Step 1:

First, attach the *wheels* to the *main body* by lining up the circular section sticking out of the back of each wheel with the round opening in the wheel well on either side of the main body, and snap into place.



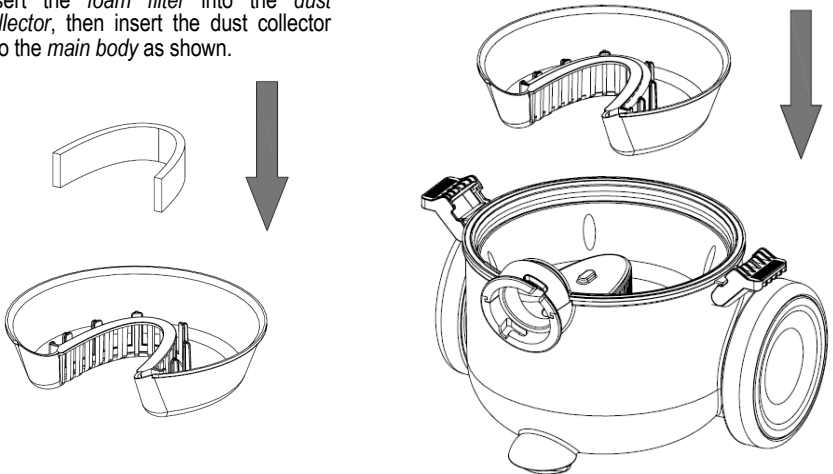
### Step 2:

Next, attach the *hose connector* to the *hose* by fitting it to the end of the hose with the shorter fitting. Slide the end of the connector with the rectangular cutouts over the hose fitting until you hear a snap.



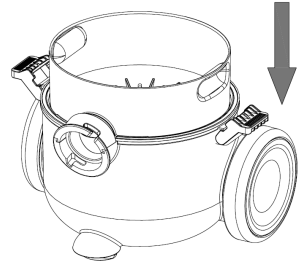
### Step 3:

Insert the *foam filter* into the *dust collector*, then insert the dust collector into the *main body* as shown.



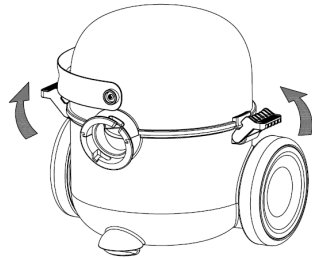
**Step 4:**

Insert the *brick collector tray* onto the *dust collector*.



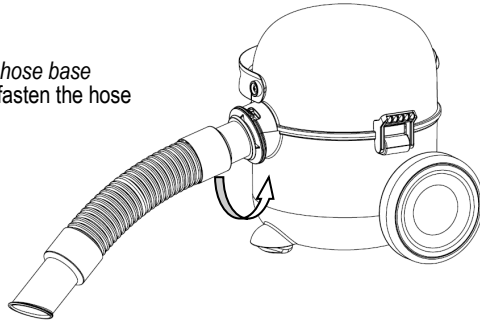
**Step 5:**

Place the clear *top cover* onto the *main body*, then fasten the *lock clasps* on both sides.



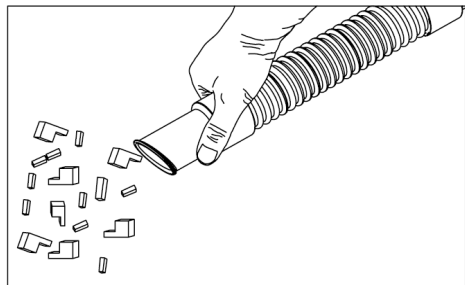
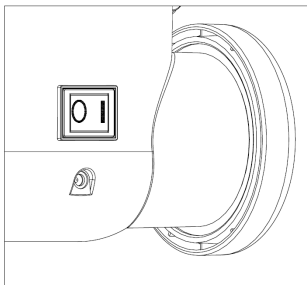
**Step 6:**

Insert the *hose connector* into the *hose base* then rotate the hose connector to fasten the hose connector to the hose base.



**Step 7:**

Turn the orange *on/off switch* on to start suction. | = on.  
Bring the end of the *suction tube* closer to the building blocks until they are picked up by Pickup Bricks' suction.

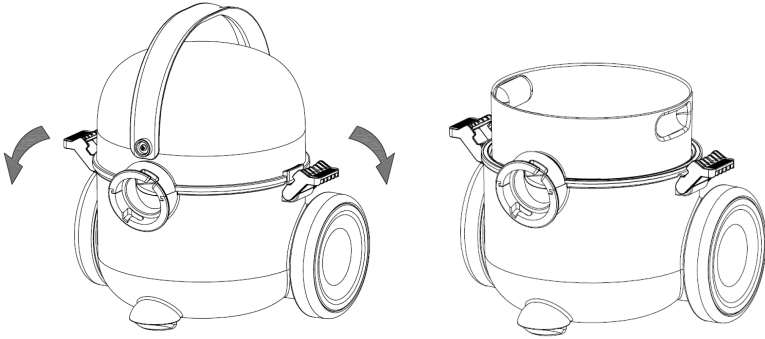


## EMPTYING & CLEANING

---

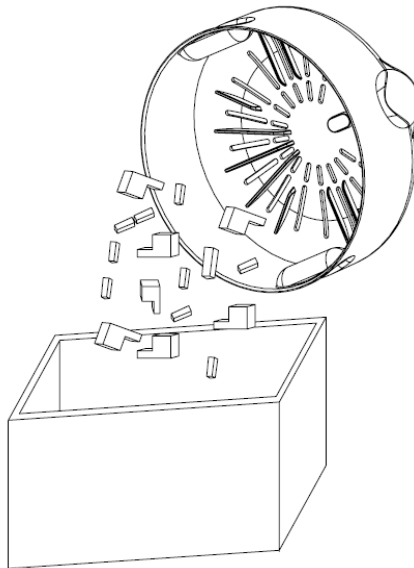
### Step 1:

Release the *lock clasps* on both sides and remove the *top cover*.



### Step 2:

Empty the bricks from the *brick collector tray* by pouring them into a storage container.



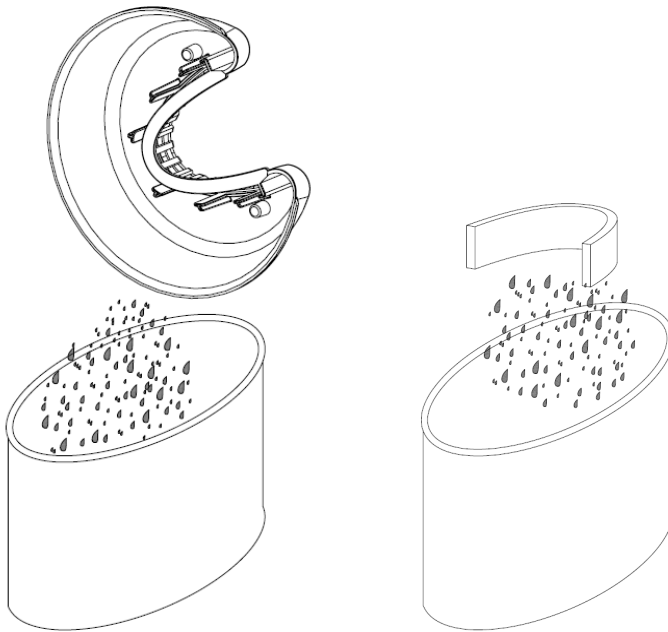
### Step 3:

After every 3rd or 4th use, clean out the collected debris.

Remove the *brick collector tray*, then take out the *dust collector*. Pour the debris from the dust collector into a trash can.

For further cleaning, remove the *foam filter* from the dust collector.

Wash the filter under flowing water. Dry it in air naturally before replacing it back in the dust collector, making sure the filter is dry before replacing it.



### Step 4:

Re-install the components:

First replace the *foam filter* back into the *dust collector*, then replace the dust collector, the *brick collector tray*, and the *top cover*.

**WARNING**

**Do not operate Pickup Bricks  
without the foam filter in place.**