

- 1**  
OVERVIEW
- 2**  
PREP
- 3**  
LOCATION
- 4**  
ROUTING
- 5**  
BRACKET
- 6**  
HANGING
- 7**  
WIRING
- 8**  
WATER LINE
- 9**  
TESTING
- 10**  
USAGE
- 11**  
WARRANTY



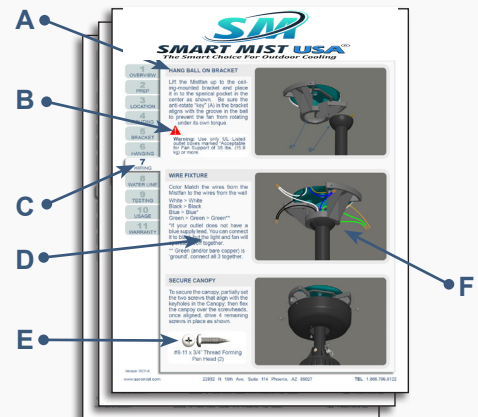
Congratulations on your purchase!

The purpose of this document is to provide you with a visual guide for a typical MistFan installation; and draw your attention to special steps that might be otherwise overlooked. Please call us at 1.866.799.5122 if you encounter problems or questions while installing your MistFan. Updated copies of these installation instructions may also be available.

### PRESENTATION FORMAT

Each page of these installation instructions contains one or more of the following elements:

- A** Section Header
- B** Practical Warnings
- C** Installation Phase
- D** Step Description
- E** Required Parts
- F** Step Illustration



**1**  
OVERVIEW

**2**  
PREP

**3**  
LOCATION

**4**  
ROUTING

**5**  
BRACKET

**6**  
HANGING

**7**  
WIRING

**8**  
WATER LINE

**9**  
TESTING

**10**  
USAGE

**11**  
WARRANTY



## APPLICABILITY, SKILL LEVEL AND CAUTION ADVISORY

These installation instructions are designed to facilitate the proper wiring and installation of your MistFan to a typical residential and commercial ceiling. The mounting hardware provided with this MistFan has been designed specifically for the most common installation cases but additional hardware is also available from Auromist should you encounter a unique installation challenge. Failure to properly follow these installation instructions may result in damage to your Mistfan, cause injury to the installer or operator, and/or void your warranty agreement.

You will require familiarity with A/C wiring and basic mechanical skills to properly complete this project. If you do not possess this knowledge and skill level, you should instead seek the assistance of a qualified professional.

Please call us at 1.866.799.5122 if you encounter problems or questions while installing your MistFan.

## INSTALLATION KIT CHECKLIST

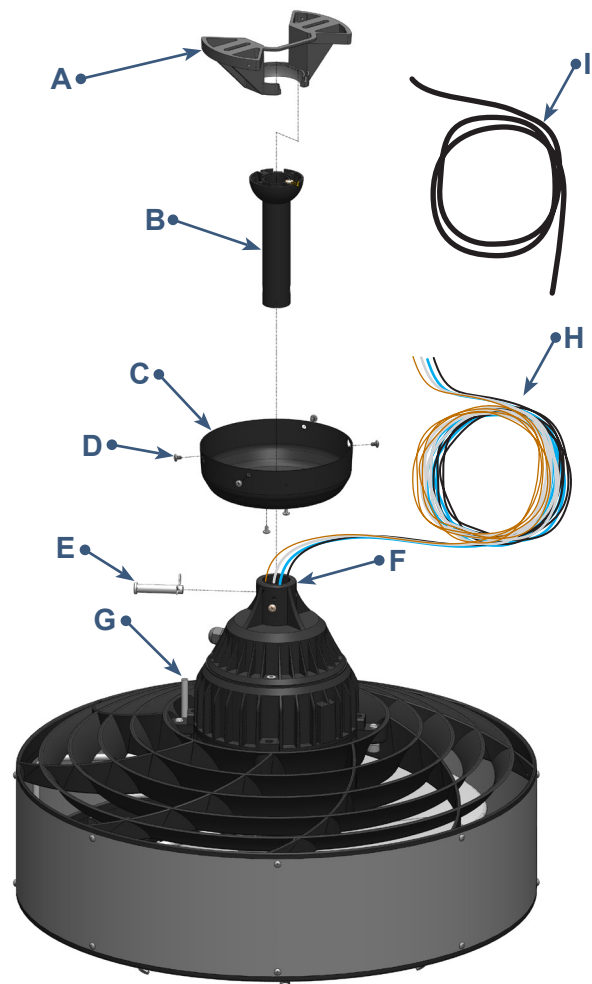
Please confirm that you have the following parts in your installation kit.

- A** Canopy Brackets
- B** Downrod Assembly
- C** Canopy Shroud
- D** Canopy Shroud Screws
- E** Motor Clevis Pin
- F** Motor Coupling (on MistFan)
- G** Mist Water-Line Inlet
- H** Wire Harness (coiled)  
(white, black, blue, copper)
- I** Water Line (coiled)
- J** Assorted hardware (not shown)

## RECOMMENDED TOOLS

These are the tools that you will need to properly install the Coolwell G2:

- > Screwdriver (#3 Phillips)
- > Screwdriver (#2 Phillips)
- > Crescent Wrench
- > Wire Cutters / Strippers
- > Power Drill / Driver



**1**  
OVERVIEW

**2**  
PREP

**3**  
LOCATION

**4**  
ROUTING

**5**  
BRACKET

**6**  
HANGING

**7**  
WIRING

**8**  
WATER LINE

**9**  
TESTING

**10**  
USAGE

**11**  
WARRANTY

## LOCATE SUITABLE LOCATION

To reduce the risk of fire, electric shock or personal injury, mount to an outlet box marked "Acceptable for fan support of 35 lbs. (15.9 kg) or more," and use the screws provided with the outlet box.

An outlet box commonly used for the support of lighting fixtures may not be acceptable for fan support and may need to be replaced.

If in doubt, consult a qualified electrician.



**Warning:** Use only UL Listed outlet boxes marked "Acceptable for Fan Support of 35 lbs. (15.9 kg) or more."



## DISCONNECT POWER

Turn off the circuit breakers and the wall switch to the fan supply line leads.

Failure to disconnect the power supply prior to installation may result in serious injury or death.



**1**  
OVERVIEW

**2**  
PREP

**3**  
LOCATION

**4**  
ROUTING

**5**  
BRACKET

**6**  
HANGING

**7**  
WIRING

**8**  
WATER LINE

**9**  
TESTING

**10**  
USAGE

**11**  
WARRANTY

## ROUTING OF POWER

Use machine screws (provided with outlet box) when securing to existing ceiling fan-rated outlet box. Make sure it is securely installed and is acceptable for fan support of at least 31.8 kg (70 lbs) or more.



**Warning:** Use only UL Listed outlet boxes marked "Acceptable for Fan Support of 35 lbs. (15.9 kg) or more."



## ROUTING OF WATER

Installer can run exposed water lines below the ceiling, or sleeve them inside of PVC tubing they are to be installed above the ceiling (hidden from view). Sleeves should extend 1" from drywall to allow drainage in case of leaks.

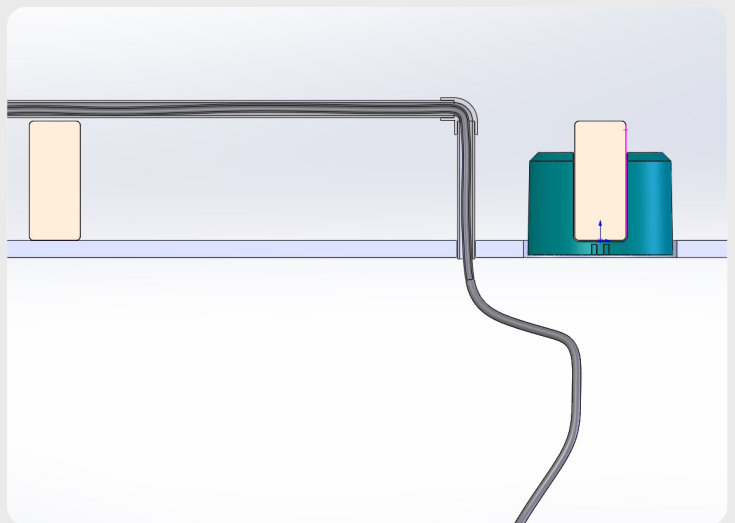
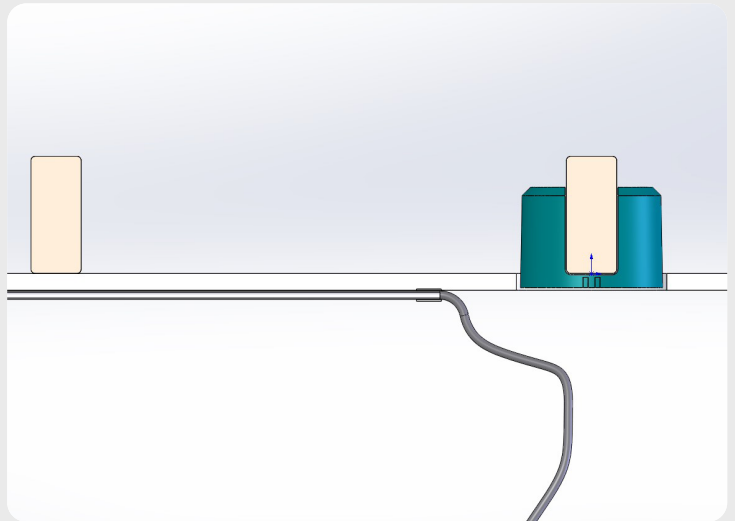
- A** Ceiling Joists
- B** Ceiling Sheetrock / Drywall
- C** Ceiling Fan Fixture
- D** Flex Water Line
- E** Rigid Water Line
- F** PVC pipe and fittings



**Warning:** Use only UL Listed outlet boxes marked "Acceptable for Fan Support of 35 lbs. (15.9 kg) or more."



**Warning:** Sleeve should pierce and protrude (to the exterior) from walls / ceilings by approximately 1/4" so that any water line leakage is carried to the exterior and noticeable by property owner.



**1**  
OVERVIEW

**2**  
PREP

**3**  
LOCATION

**4**  
ROUTING

**5**  
BRACKET

**6**  
HANGING

**7**  
WIRING

**8**  
WATER LINE

**9**  
TESTING

**10**  
USAGE

**11**  
WARRANTY

## SELECT THE RIGHT MOUNT

Locate or install your own ceiling fan box in the ceiling according to the manufacturers specifications. Make sure its intended for ceiling fans, not only lighting fixtures, as this will allow it to tolerate the added weight and vibrtation.



**Warning:** Use only UL Listed outlet boxes marked "Acceptable for Fan Support of 35 lbs. (15.9 kg) or more."



## HANG THE BRACKET

Use machine screws (provided with outlet box) when securing to existing ceiling fan-rated outlet box. Make sure it is securely installed and is acceptable for fan support of at least 31.8 kg (70 lbs) or more.

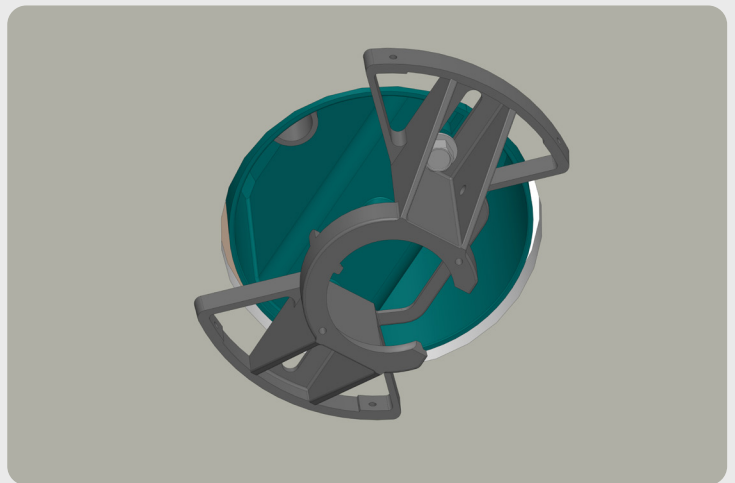


#1/4" x 2" Lag Screw (2)



## MANAGE WIRES

The area above and around the the ball hanger will need to accommodate the serve as



**1**  
OVERVIEW

**2**  
PREP

**3**  
LOCATION

**4**  
ROUTING

**5**  
BRACKET

**6**  
HANGING

**7**  
WIRING

**8**  
WATER LINE

**9**  
TESTING

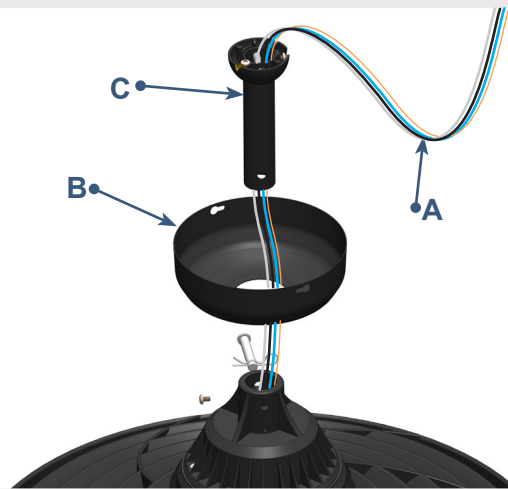
**10**  
USAGE

**11**  
WARRANTY

### ROUTE THE WIRING

Route the power wires (A) FIRST through the canopy (B), and THEN through the Downrod (C) as shown.

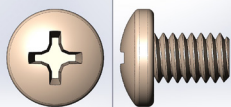
Take precautions to make sure the wiring is now kinked or pinched anywhere along its path through the downrod.



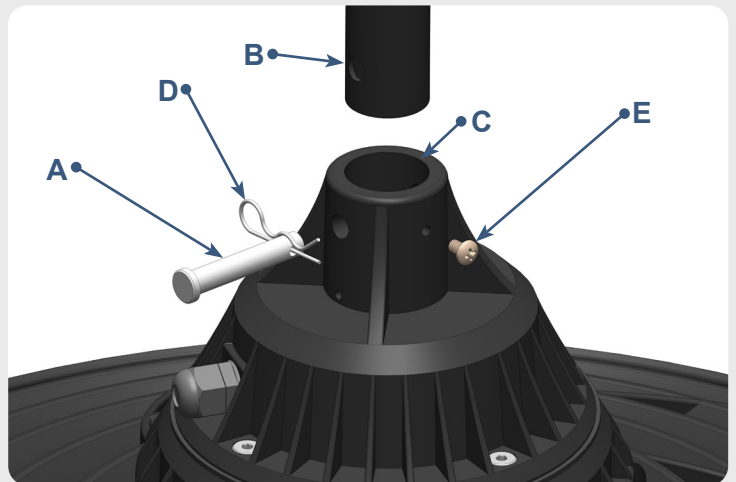
### SECURE DOWNROD

Using the included Clevis Pin (A), secure downrod (B) to Motor Housing (C) and lock in place using the included cotterpin (D).

Next tighten the grounding screw (E) in to the tapped hole as shown.



#8-32 x 1/4" Brass Pan Head (1)



### PREPARE FOR HANGING

Once complete with the above-mentioned steps, your MistFan should look like this. Make sure all 4 wires are pulled through the downrod and the Canopy is loosely hanging above the Motor Housing.



**1**  
OVERVIEW

**2**  
PREP

**3**  
LOCATION

**4**  
ROUTING

**5**  
BRACKET

**6**  
HANGING

**7**  
WIRING

**8**  
WATER LINE

**9**  
TESTING

**10**  
USAGE

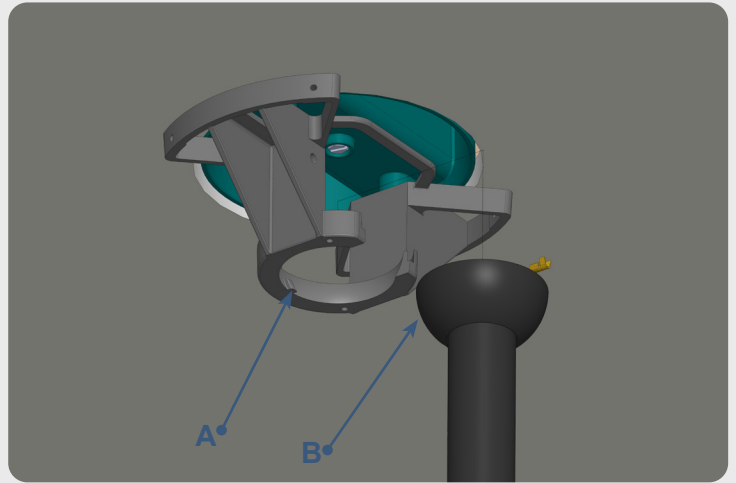
**11**  
WARRANTY

## HANG BALL ON BRACKET

Lift the Mistfan up to the ceiling-mounted bracket and place it in to the spherical pocket in the center as shown. Be sure the anti-rotate “key” (A) in the bracket aligns with the groove in the ball to prevent the fan from rotating under its own torque.



**Warning:** Use only UL Listed outlet boxes marked “Acceptable for Fan Support of 35 lbs. (15.9 kg) or more.”



## WIRE FIXTURE

Color Match the wires from the Mistfan to the wires from the wall

White > White

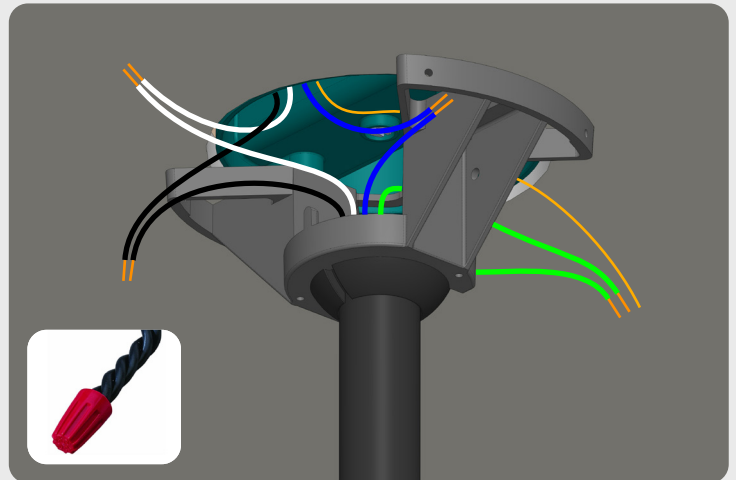
Black > Black

Blue > Blue\*

Green > Green > Green\*\*

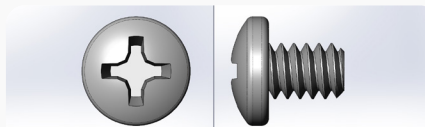
\*If your outlet does not have a blue supply lead, You can connect it to black but the light and fan will operate on/off together.

\*\* Green (and/or bare copper) is ‘ground’, connect all 3 together.



## SECURE CANOPY

To secure the canopy, partially set the two screws that align with the keyholes in the Canopy; then flex the canopy over the screwheads. once aligned, drive 4 remaining screws in place as shown.



#6-32 x 3/16” Pan Heads (6)



**1**  
OVERVIEW

**2**  
PREP

**3**  
LOCATION

**4**  
ROUTING

**5**  
BRACKET

**6**  
HANGING

**7**  
WIRING

**8**  
WATER LINE

**9**  
TESTING

**10**  
USAGE

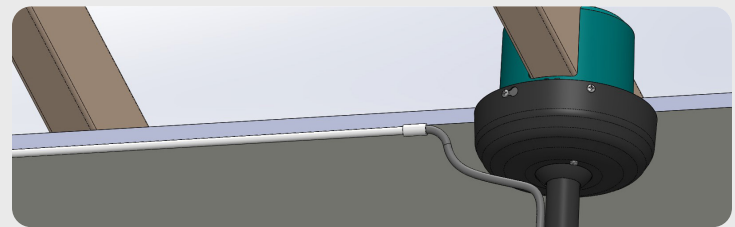
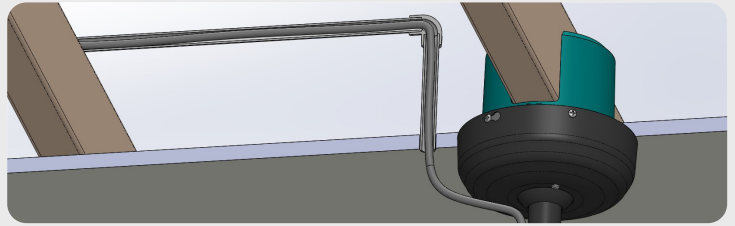
**11**  
WARRANTY

### ROUTE WATER LINE

Regardless if you ran your water line above the ceiling (sleeved) or below the ceiling (exposed), couple the flex line to the end of the feed line near the canopy bell and route the other end along the downrod as shown.

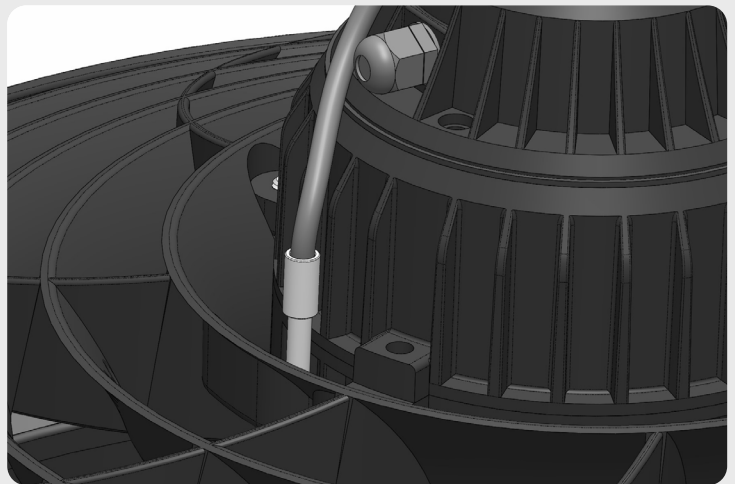


**Warning:** Sleeve should pierce and protrude (to the exterior) from walls / ceilings by approximately 1/4" so that any water line leakage is carried to the exterior and noticable by property owner.



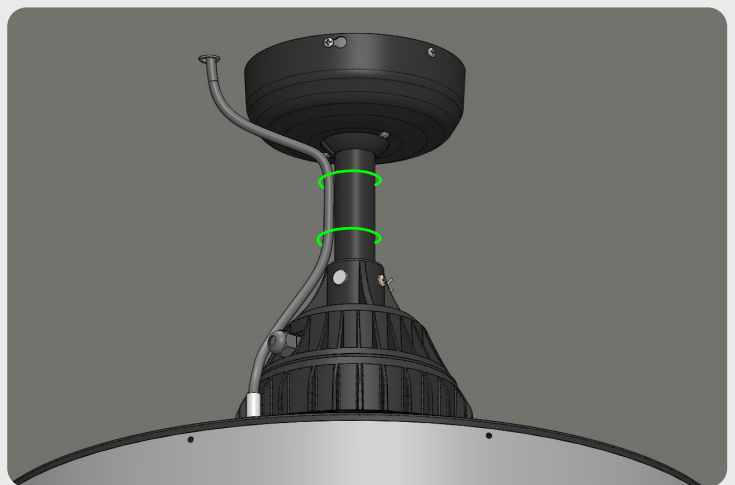
### COUPLE LINE TO INLET

Couple the other end of the flex line to the small exposed segment of steel tubing protruding through the upper grill.



### SECURE WATERLINE SAFELY

Loosely zip tie the flex line to the downrod as shown. Use black 3" black zip ties to help minimize visibility.





**1**  
OVERVIEW

**2**  
PREP

**3**  
LOCATION

**4**  
ROUTING

**5**  
BRACKET

**6**  
HANGING

**7**  
WIRING

**8**  
WATER LINE

**9**  
TESTING

**10**  
USAGE

**11**  
WARRANTY

### POWER UP BREAKER

Power-down both the light and fan switch; then go back to the breaker box to power on the circuit you disabled earlier.

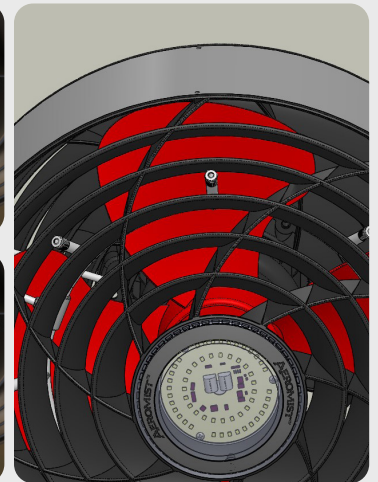
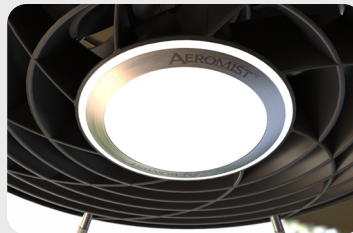


**Warning:** If the breaker shuts down after you power back up, remove the canopy and double check your wiring.



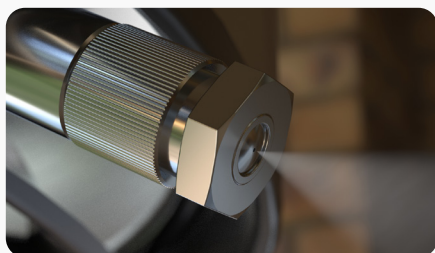
### CHECK FAN & LIGHT

One at a time, turn on the light switch and fan knob to check function.



### CHECK MIST FUNCTION

Assure each of the misting nozzles are screwed in tightly, then turn on pump and/or water feed to check mist performance.





1  
OVERVIEW

2  
PREP

3  
LOCATION

4  
ROUTING

5  
BRACKET

6  
HANGING

7  
WIRING

8  
WATER LINE

9  
TESTING

10  
USAGE

11  
WARRANTY

## Troubleshooting and Usage / Precautions

### TroubleShooting

#### *Fan Doesn't Work*

- Make sure power switch is on.
- Check the circuit breaker to ensure the power is turned on.
- Make sure the blades spin freely.
- Turn off power from the circuit breaker, then loosen the canopy and check all the connections.
- Check the plug connection in the switch housing.

#### *Excessive Wobbling*

- Make sure the blades are properly installed on the blade iron posts.
- Turn the power off, support the fan carefully, and check that the hanger ball is properly seated.

#### *Noisy Operation*

- Make sure no packing material is inside the fan cage.

### Safety Precautions

The information contained herein has been prepared to ensure you of trouble-free operation of your MistFan.

1. To ensure the success of the installation, be sure to read the instructions and study the diagrams thoroughly.
2. To reduce the risk of personal injury, attach the fan directly to the support structure of the building according to these instructions, and use only the hardware supplied. Note that the structure must be able to support a weight of at least 65lbs. If you are mounting the fan to a ceiling junction box, the box must be able to support the moving weight of the fan.
3. To avoid possible electrical shock, before installing your fan, disconnect the power by turning off the circuit breakers to the outlet box and associated wall switch location.
4. All wiring must be in accordance with national and local electrical codes and ANSI/NFPA 70. If you are unfamiliar with wiring, you should use a qualified electrician.
5. Make sure that your installation location will not allow the rotating fan blades to come into contact with any object, and that there is a minimum clearance of 12 inches from the blade tip to the wall or nearest object, and ensure the blades are mounted at a minimum height of 7 feet from the floor when the fan is installed. Please note that the greater this clearance is, the better the airflow from your fan will be.
6. The fan must be grounded.
7. Do not connect the fan motor to a dimmer switch. This may give an unsatisfactory performance (motor hum) and cause damage to the motor. Only use the supplied fan controller.
8. It is not recommended that ceiling fans and gas appliances be operated in the same room at the same time.
10. Do not insert anything into the fan blades while the fan is operating, as this may cause personal injury, damage the blades, and upset the balance of the unit, causing it to wobble.
11. After the fan is completely installed, make sure that all connections are securely tightened to prevent any noise.
12. Because of the fan's natural movement, some connections may loosen. It is recommended that you check the support connections, brackets, and blade attachments once a year to make sure they are all secured. If they are loose, tighten with a screwdriver.

Note: The important safeguards and instructions given in this manual are not meant to cover all possible conditions and situations that may occur. It must be understood that common sense, caution, and care are factors, which cannot be built into any product. The persons caring for and using the unit must supply these factors.



- 1 OVERVIEW
- 2 PREP
- 3 LOCATION
- 4 ROUTING
- 5 BRACKET
- 6 HANGING
- 7 WIRING
- 8 WATER LINE
- 9 TESTING
- 10 USAGE
- 11 WARRANTY

## Limited Lifetime Warranty

### What Does This Warranty Cover?

#### *-Motor [Limited Lifetime Warranty]*

If any part of your ceiling fan motor fails during your ownership of the fan due to a defect in material or workmanship, as determined solely by AeroMist, AeroMist will provide you with a replacement fan free of charge.\* The foregoing limited warranty applies only to the motor itself and does not apply to electronic controls – such as remote control transmitters, remote control receivers, or capacitors – used in conjunction with the motor. Such electronic control items are included in the one-year limited warranty below.

#### *-Other [One-Year Limited Warranty]*

Except as otherwise indicated throughout this warranty, if any part of your AeroMist ceiling fan fails at any time within one year of the date of purchase due to a defect in material or workmanship, as determined solely by AeroMist, AeroMist will provide a replacement part free of charge.\*

#### *-LED Light Kits [Three-Year Limited Warranty]*

If your LED light kit module (not including power conversion module) or LED panel fails at any time within three years of the date of purchase due to a defect in material or workmanship, as determined solely by AeroMist, AeroMist will provide a replacement part free of charge.\*

### What Does This Warranty NOT Cover?

Labor Excluded. This warranty does not cover any costs or fees associated with the labor (including electrician's fees) required to install, remove, or replace a fan or any fan parts. There is no warranty for light bulbs (except where otherwise noted); remote control batteries; fans purchased or installed outside the United States; fans owned by someone other than the original purchaser; fans for which proof of purchase has not been established; fans purchased from an unauthorized dealer; ordinary wear and tear; minor cosmetic blemishes; refurbished fans; and fans that are damaged due to any of the following: improper installation, misuse, abuse, improper care, failure to follow AeroMist instructions, accidental damage caused by the fan owner or related parties, modifications to the fan, improper or incorrectly performed maintenance or repair, improper voltage supply or power surge, use of improper parts or accessories, failure to provide maintenance to the fan, or acts of God (e.g. flood).

ORIGINAL PURCHASER'S SOLE AND EXCLUSIVE REMEDY FOR A CLAIM OF ANY KIND WITH RESPECT TO THIS PRODUCT SHALL BE THE REMEDIES SET FORTH HEREIN.

AEROMIST IS NOT RESPONSIBLE FOR CONSEQUENTIAL OR INCIDENTAL DAMAGES, DUE TO PRODUCT FAILURE, WHETHER ARISING OUT OF BREACH OF WARRANTY, BREACH OF CONTRACT, OR OTHERWISE.

Some States do not allow the exclusion or limitation of incidental or consequential damages, so the above limitation or exclusion may not apply to you.

ANY IMPLIED WARRANTIES OF MERCHANTABILITY OR FITNESS FOR A PARTICULAR PURPOSE APPLICABLE TO THIS PRODUCT ARE LIMITED IN DURATION TO THE PERIOD OF COVERAGE OF THE APPLICABLE LIMITED WARRANTIES SET FORTH ABOVE.

Some States do not allow limitations on how long an implied warranty lasts, so the above limitation may not apply to you.

### How Does State Law Affect Warranty Coverage?

This warranty gives you specific legal rights. You may also have other rights which vary from state to state.

\* If no replacement product/part can be provided for your fan, we will provide a comparable or superior replacement product/part at the sole discretion of AeroMist.