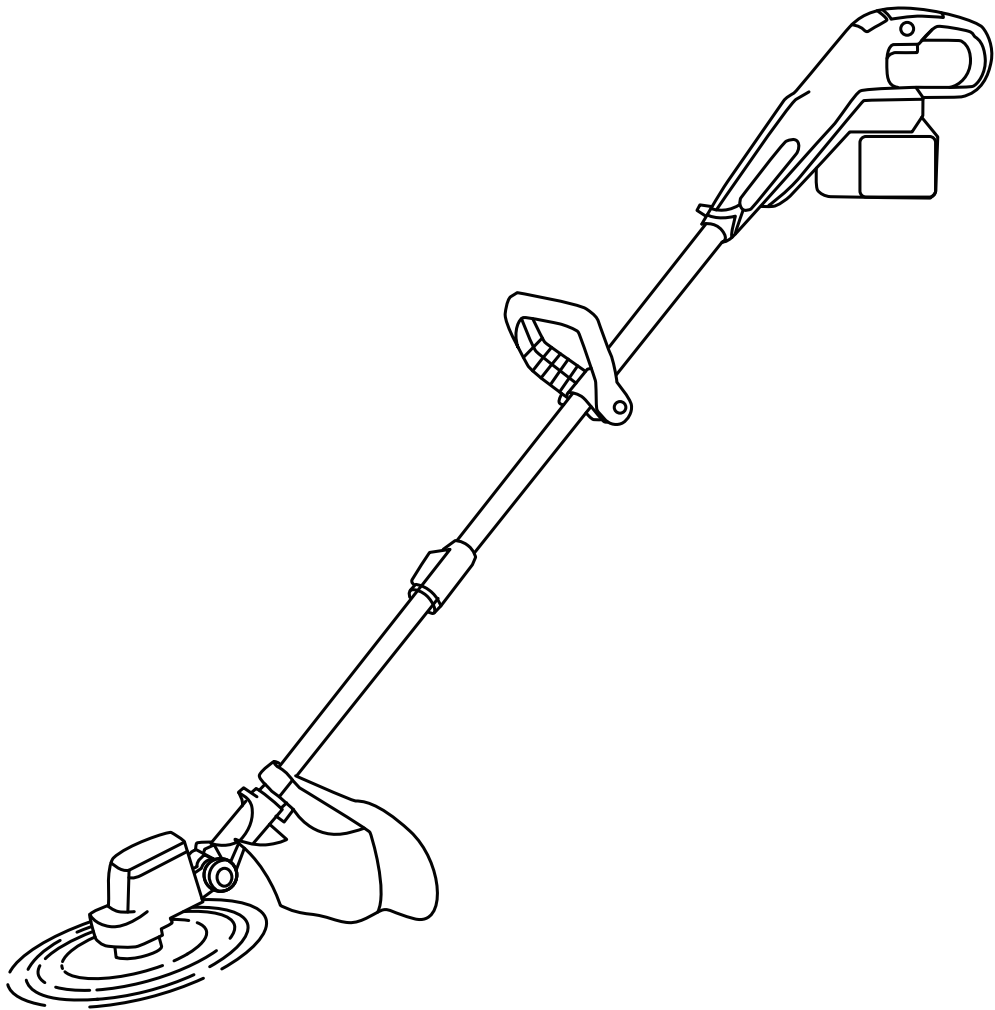


# STRING TRIMMER

## User Manual



**IMPUM**  
L I V E

Read all safety rules and instructions carefully before operating this tool.

# Safety Warnings

## ● General Safety Warnings for Electrical Tools

Warning: Please read all safety warnings and instructions. Please carefully read all the safety warnings, instructions, illustrations, and regulations provided along with the electrical tool. Failing to follow the instructions below may cause electric shocks, fire, and/or serious injuries. Keep all warnings and instructions in a safe place for future references.

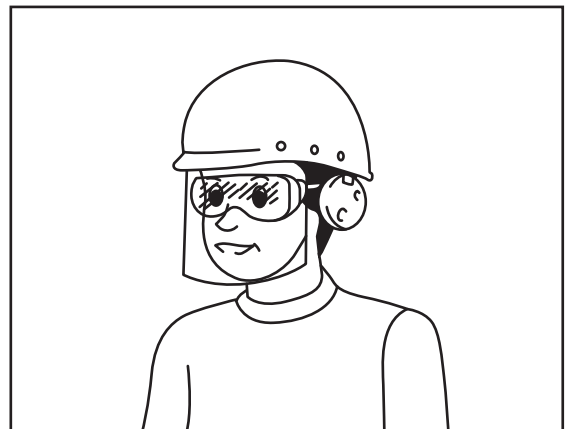
The term "Electrical Tool" in the warnings refers to the tools that are powered by power cords (corded) or by batteries (cordless).

## ● Workplace Safety

1. Always keep the workplace clean and well-lit. A cluttered and dark workplace may cause accidents.
2. Do NOT operate the tool in an explosive environment where flammable liquids, vapors, or dusts are present. The sparks generated by the electrical tools can ignite such dusts or vapors, causing explosions.
3. Keep children and other personnel away from the electrical tool during operation. You can lose control of the tool if extra precautions are not taken.

## ● Personal Safety

1. Remain vigilant and pay attention to your operation at all times. You must stay awake during operation. Do NOT operate the electrical tool if you are tired, or under the influence of drugs, alcohol, and other treatments. Failing to follow these rules may cause serious injuries.
2. Personal Protective Equipment (PPE). Always wear eye protections, especially in a dusty environment. Wear slip-resistant safety shoes and hearing protection equipment if necessary to prevent personal injuries.
3. Unintentional Start-up Prevention. Please do NOT place your fingers on the power switch while carrying the tool. Make sure that the battery is removed before carrying the tool.
4. Please pay attention to your footing and maintain your balance at all times before starting the electrical tool. This allows you to have a better control of the tool when accidents happen.
5. Do NOT wear loose and baggy clothes/accessories. Keep hair and clothes away from the moving parts. Baggy clothes, loose/hang-



- ing accessories, and long hair can become entangled in the moving parts of the tool.
6. You should remain vigilant at all times regardless of how familiar you are with the tool. Ignoring the safety rules can cause serious injuries.
7. It is the employer's responsibility to ensure that the operator and other personnel wear the proper PPE on site.

## ● Electrical Tool Operating Instructions and Precautions

1. Do NOT use the electrical tool to achieve what it is not intended for. Please choose the correct electrical tool according to the purpose of the work. Choosing the proper electrical tool with the correct specs can make your work safer and more efficient.

2. Do NOT use the electrical tool if the power switch is not working (unable to turn on/off the tool). It is dangerous to operate the tool with a malfunctional power switch. Please contact us to get it repaired immediately.

3. Unplug the power cord and/or remove the battery (if applicable) before performing any adjustments, replacing accessories, or putting the tool in storage. This protective safety measure reduces the chance of unintentional start-up.

4. Keep the electrical tool out of reach of children. It is prohibited to operate the tool if the operator is not familiar with the tool or does not understand the operating instructions. It is dangerous for untrained operators to handle the tool.

5. Electrical Tool and Accessory Maintenance

Check whether all moving parts are in the correct positions or are secured in place. Identify any broken parts that can potentially affect the operation of the tool. Please repair/replace any broken parts before operation. Poorly maintained electrical tool can cause accidents.

6. Keep the blades sharp and clean. Well-maintained blades make the tool easy to control and less prone to get stalled.

7. Choose the proper electrical tools, accessories, and trimmer heads according to the operating instructions, the operating conditions, and the purpose of the work. Using the electrical tool to achieve what it is not intended for may lead to hazardous situations.

8. Keep the handle and the grip clean and free of grease. A slippery handle cannot guarantee the proper control of the tool in the event of an accident.

9. Do NOT wear cloth gloves that can get entangled during operation. Wearing cloth gloves around moving parts can cause personal injuries.

## ● Battery Powered Tool Operating Instructions and Precautions

1. Only use the charger that is specified by the manufacturer. Using chargers that are not designated for the battery can cause fire.

2. Only use the battery that is designated for the electrical tool. Other unspecified batteries can cause injuries or fire.

3. Keep the battery away from any metal objects, such as paper clips, coins, keys, nails, screws, or other small metal objects. Short-circuiting the two battery terminals can lead to combustion or fire.

4. Improper handling of the battery can cause liquid to spill. Do NOT touch any liquids leaking out of the battery. In case of accidental contacts, please rinse thoroughly with water. In case of accidental eye contacts, please seek for medical attention immediately. The liquid leaking from the battery can be corrosive or flammable.

5. Do NOT use damaged or modified battery or tool. Failing to do so can cause unpredictable results, such as fire, explosions, or injuries.

6. Do NOT expose the battery to fire or high-temperature. Exposing the battery to fire or temperatures over 130°C can lead to explosions.

7. Follow all the charging instructions. Do NOT charge the battery or the electrical tool outside of the specified temperature range. Improper charging or charging outside of the specified temperature range can cause damage to the battery and increase the risk of fire.

## ● Maintenance

1. Maintenance should be performed by experts using the identical replacement parts. This ensures that the repaired electrical tool is safe to use.
2. Do NOT attempt to repair the damaged battery. The battery can only be repaired by the manufacturer or the authorized service providers.

## ● Safety Range of the Cordless String Trimmer

1. Safety warnings for the handheld string trimmer.
2. Be familiar with the control and operation of the tool.
3. The blades will continue to rotate and slowly come to a stop after the power is switched off.
4. It is prohibited to allow children or inexperienced personnel to operate the tool. Please follow local laws and regulations that specify the legal age to operate the tool.
5. Please make sure that no hard objects, such as branches and rocks are stuck between the blades before operation. Hard objects can prevent the motor from running and damage the blades.
6. Make sure that there's no electricity line, water pipe, gas pipe, etc. on site. Damaging these facilities can cause hazards.

## ● Specifications

<b>STRING TRIMMER</b>	
MAX.CUTTING DIAMETER	14 INCH
POWER	700W
SPEED	4500R/MIN
<b>BATTERY PACK</b>	
BATTERY PACK TYPE	LI-LON
VOLTAGE	21V
CAPACITY	3.0AH 55Wh
CHARGER INPUT	100-240V~50/60HZ 2A
CHARGER OUTPUT	21.0V==1.5A

## ● Operating Instructions

1. Do NOT operate the tool if the safety guard is damaged or not installed correctly.
2. Only operate the tool in a well-lit environment with high visibility. Pay attention to slippery conditions and humidity when operating the tool in winter. Snow and ice can potentially damage the tool. Always keep a proper footing and balance.
3. Pay attention to the blades to avoid cutting yourself.
4. Keep hands and feet away from the cutting area, especially when the motor is running.
5. Do NOT lift the trimmer head higher than your waist.
6. Do NOT operate the tool when you are standing on a ladder.
7. Do NOT operate the tool when you are standing on an unstable surface.
8. Clear any sand, gravel, nails, etc. out of the workplace. These foreign objects can damage the

blades. The flying debris can also cause serious personal injuries.

9. Shut down the tool immediately if the blades hit rocks or other hard objects. Please inspect the blades for any damages.

10. Hold the tool with both hands during operation. Do not operate the tool with one hand. Make sure that you have a stable footing.

11. The tool must be equipped with all required protective accessories during operation, such as a safety guard.

12. The battery must be removed from the tool in the following situations: When the tool is left unattended; Before removing any blockage; Before inspecting, cleaning, or repairing the tool; Before performing adjustments, replacing accessories, or putting the tool in storage; When carrying and transporting the tool.

13. Do NOT operate the tool if you are tired. Operator fatigue can lead to the loss of tool control. Make sure that you take a break for 10 - 20 min for every hour of operation.

14. Do NOT operate the tool on a steep hill.

## ● Maintenance Instruction

1. Inspect the tool and protective equipment before operation.

2. Shut down the motor and remove the battery from the tool before performing any maintenance, replacing blades, and cleaning.

3. Inspect the tool for any damages after removing the battery from the tool.

4. Check for loose or damaged parts, such as cracks on the blades.

5. When not in use, store the tool in a dry and well ventilated place that is out of the reach of children.

6. Only use the replacement parts and accessories that is authorized by the manufacturer.

7. Make sure that there is no debris in the vent.

8. Inspect and service the tool regularly, especially before and after each operation.

## \*Please keep this manual for future reference



**Warning: Please do NOT ignore the safety warnings and rules for the sake of convenience. Safety rules should always be followed even if you are familiar with the operation procedures. Failing to follow the operation instructions and safety rules can cause serious personal injuries.**

1. Do NOT short-circuit the battery!

(1) Do NOT contact the battery terminals with any conductive materials

(2) Do NOT place the battery in the same container with other metals such as nails, coins, etc.

(3) Do NOT expose the battery to water or rain. A short-circuited battery can generate a large amount of electrical current, leading to battery overheat, fire, or even breakdown.

(4) Do NOT use the tool in the rain.

(5) Please remove the battery from the tool after each operation.

2. Do NOT store the tool or the battery in a place where the temperature may reach or exceed 50°C (122°F).

3. Do NOT burn the battery, even if the battery is severely damaged or completely worn.

Exposing the battery to fire can lead to explosions.

4. Do NOT puncture or drop the battery.

5. Do NOT connect damaged battery to the tool.

6. The included lithium-ion battery complies with the requirements of the Hazardous Materials Regulations. Third-party/shipping agent should follow the specific requirements to prepare the packaging and labeling for commercial transportations. Consult with hazardous material experts about the battery transportations. Please also follow the latest and detailed federal regulations. Please use clear tapes to protect the important information on the package. The battery should be firmly secured in the package without any movement.

7. Please refer to local regulations to dispose the used battery.

8. The battery can only be used for this product. Using the battery on any other products can lead to fire, overheat, explosions, or electrolyte leakage.

### ● Charge the battery with a charger



Indicator Light	Status
Red	Charging
Green	Charging completed

Make sure that the battery is free of contaminations and moistures before charging. Please fully charge the battery before the first use.

After charging, unplug the charger from the outlet before removing the battery from the charger.

### \*Please keep this manual for future reference

#### ! NOTE:

Use only the authentic battery and charger. Aftermarket or modified battery can lead to explosions, fire, personal injuries, and other damages.

## ● Tips to extend the lifetime of the battery

1. Please charge the battery before it is completely drained. When the battery is low, stop the operation and charge the battery.
2. Do NOT charge the battery that has already been fully charged. Over-charging a battery can reduce the lifetime of the battery.
3. Please inspect and charge the battery in room temperature (10°C - 40°C or 50°F - 104°F). Charge the battery only after the battery has completely cooled down.

# Function Descriptions

## ● Battery Protection System

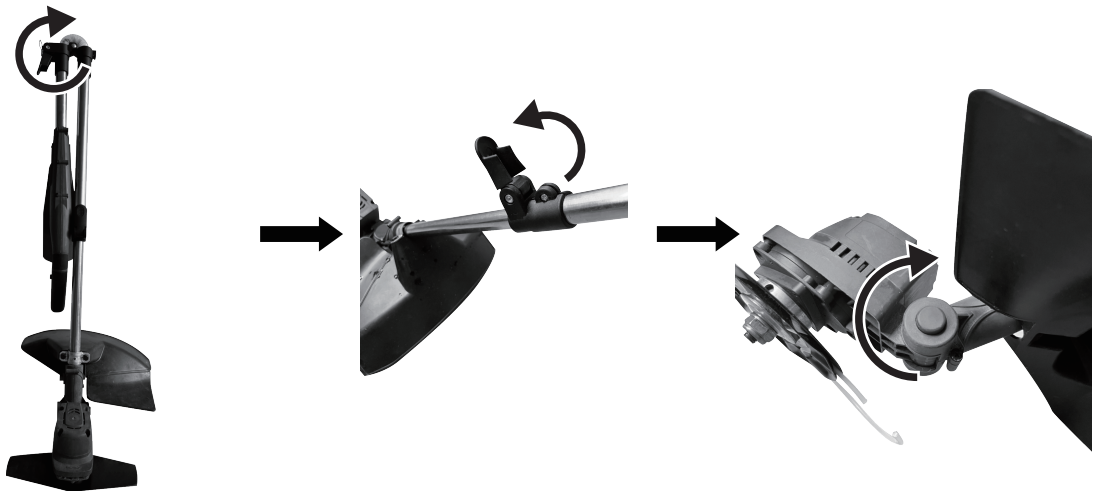
Long and constant operation period can cause the battery to overheat. The battery will automatically shut off if the overheating protection is triggered. Please wait for the battery to cool down before starting the tool again.

Battery level is low. The motor shuts off soon after start-up, which indicates that the battery level is low. Please remove the battery from the tool and charge the battery.

## ① Before operating the tool

### ! NOTE:

Please power off the tool and remove the battery from the tool before adjusting the pole length. Failing to do so may lead to personal injuries.



1. Extend the pole by unfolding the upper pole to a straight position and lock the latch to secure the pole in place.

2. Pole length adjustment: Unlock the coupler latch, adjust the length of the pole, and lock the coupler latch to secure the pole.

3. Trimmer head angle adjustment: the trimmer head angle can be adjusted from 0 to 90 degrees according to the slope of the lawn.

## 2 Assembly

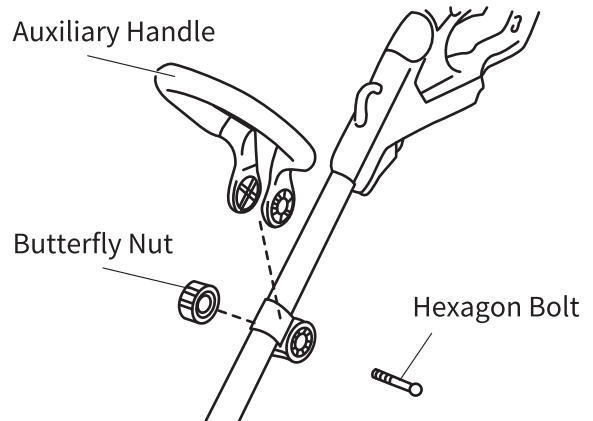


**Note:** Please power off the tool and remove the battery before any assembly.  
**Note:** Do NOT start the tool unless all the assemblies are complete. Unintentional start-up of a partially assembled tool can cause serious personal injuries

### ◆ Auxiliary Handle Installation

As shown in the figure below, place the auxiliary handle onto the handle base. Secure the handle by inserting the hexagon bolt into the slot and tightening it with a butterfly nut.

**Auxiliary Handle Angle Adjustment,** Loosen the butterfly nut, adjust the auxiliary handle to the desired angle, and then tighten the butterfly nut.

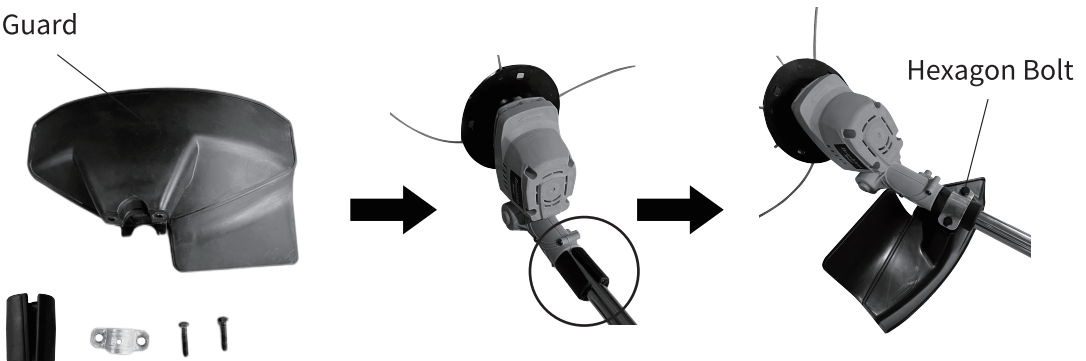


### ◆ Safety Guard Installation



**Note:** When installing the safety guard, please pay special attention to the blades as they may cause personal injuries. Please stop the tool immediately if the safety guard is loose. Tighten the two hexagon bolts on the safety guard before resuming the work, otherwise the grass clippings can fly out and cause personal injuries.

Safety Guard



To install the safety cover, first put the black fixing rubber over the end of the aluminium rod, then fix the safety cover to the black rubber, then tighten the two hexagonal bolts to fix the back of the safety cover.



## ◆ Nylon String Installation

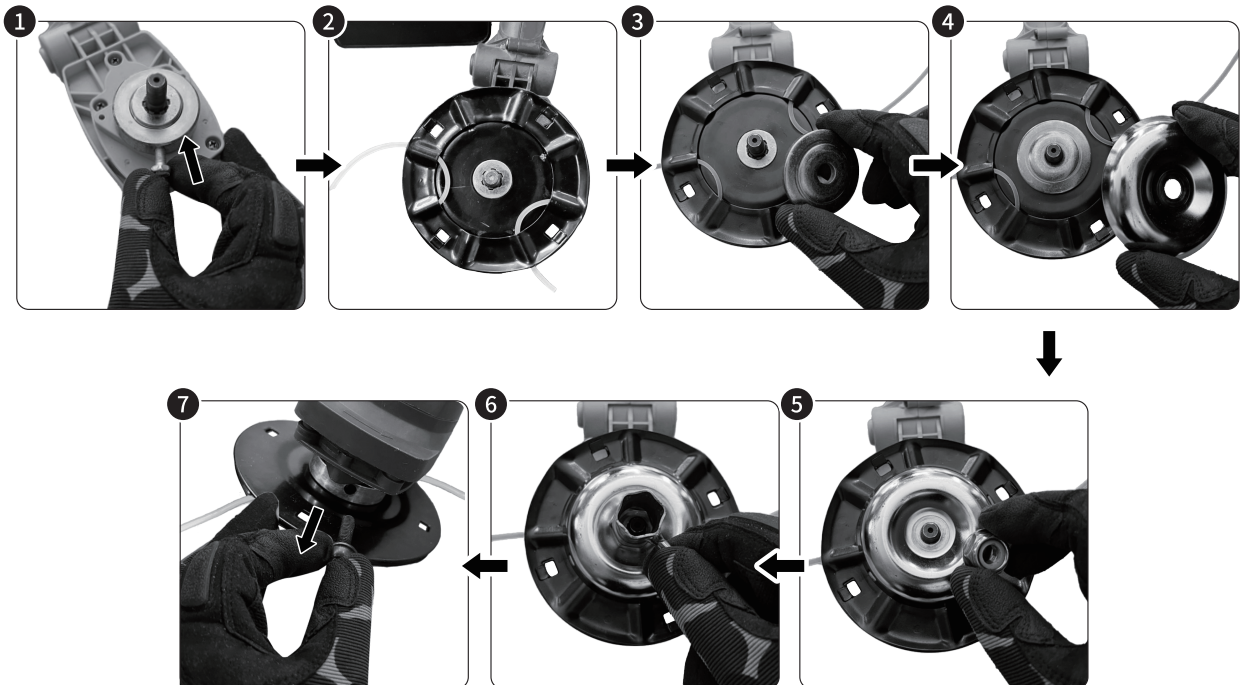


**Caution:** If the nylon string hits rocks or other hard objects during operation, please stop the tool and inspect the string for damage immediately. Please replace the damaged nylon string if necessary. Damaged nylon string can cause serious personal injuries.

**Note:** Pay attention to the blades on the safety guard when installing or replacing the nylon string, as the sharp blades can cause personal injuries.

**Note:** Only use the authentic nylon string.

1. It is easier to replace the nylon string when the trimmer head is upside down.
2. Feed both nylon strings through the diagonal eyelets on the disk. Bend the short ends of the strings and insert them back into the eyelets adjacent to the diagonal eyelets. Pull the long ends of the strings to ensure that they are tight and secure.
3. Place the assembled nylon string disk in the main drive shaft spindle. Insert the retaining bolt through the eyelet on the motor housing to lock the drive shaft. Install the washer and the a hexagon nut on the main drive shaft. Tighten the hexagon nut by rotating it counterclockwise using a T wrench. Then pull out the fixing bolt. Please wear protective gloves during operation to avoid injuries.



## ◆ Nylon String Removal

Insert the retaining bolt into the eyelet on the motor housing to lock the drive shaft in place. Loosen the hexagon nut by rotating it clockwise with a T wrench. Then pull out the fixing bolt.

## ◆ Hedge Trimming Blade Installation

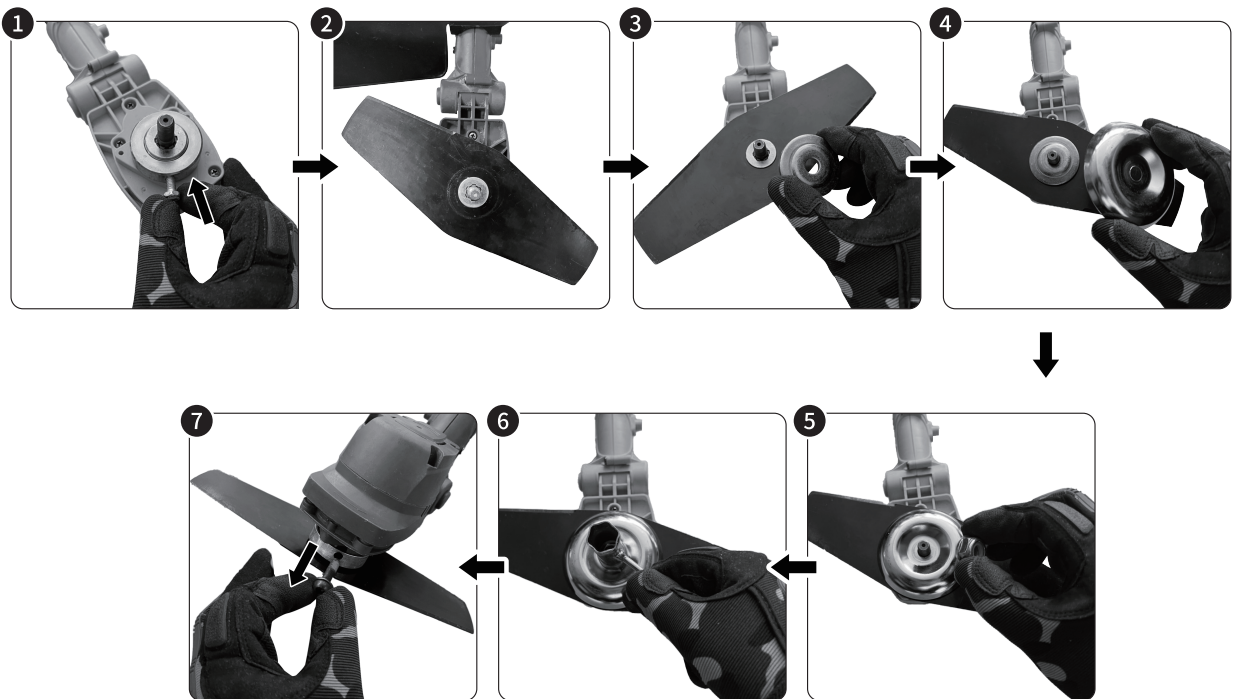


**Caution:** The hedge trimming blade can be damaged if it hits rocks or other hard objects. Please replace the damaged blade immediately as it can reduce the cutting efficiency.

**Note:** Please wear protective gloves when installing or replacing the hedge trimming blade. Avoid direct contact with the blade. The sharp blade can cause personal injuries.

**Note:** Only use authentic hedge trimming blades.

1. It is easier to replace the blade when the trimmer head is upside down.
2. Insert the retaining bolt through the eyelet on the motor housing to lock the drive shaft. Place the hedge trimming blade in the main drive shaft spindle. Install the washer and the hexagon nut on the drive shaft. Tighten the hexagon nut by rotating it counterclockwise using a T wrench. Then pull out the fixing bolt. Please wear protective gloves during operation to avoid injuries.



## ◆ Hedge Trimming Blade Removal

Insert the retaining bolt into the eyelet on the motor housing to lock the drive shaft in place. Loosen the hexagon nut by rotating it clockwise with a T wrench. Then pull out the fixing bolt. Please wear protective gloves during operation to avoid injuries.

## ◆ Steel Weed Brush Installation



**Caution:** The spinning steel weed brush can toss small rocks or other hard objects out at a high speed, leading to serious personal injuries.

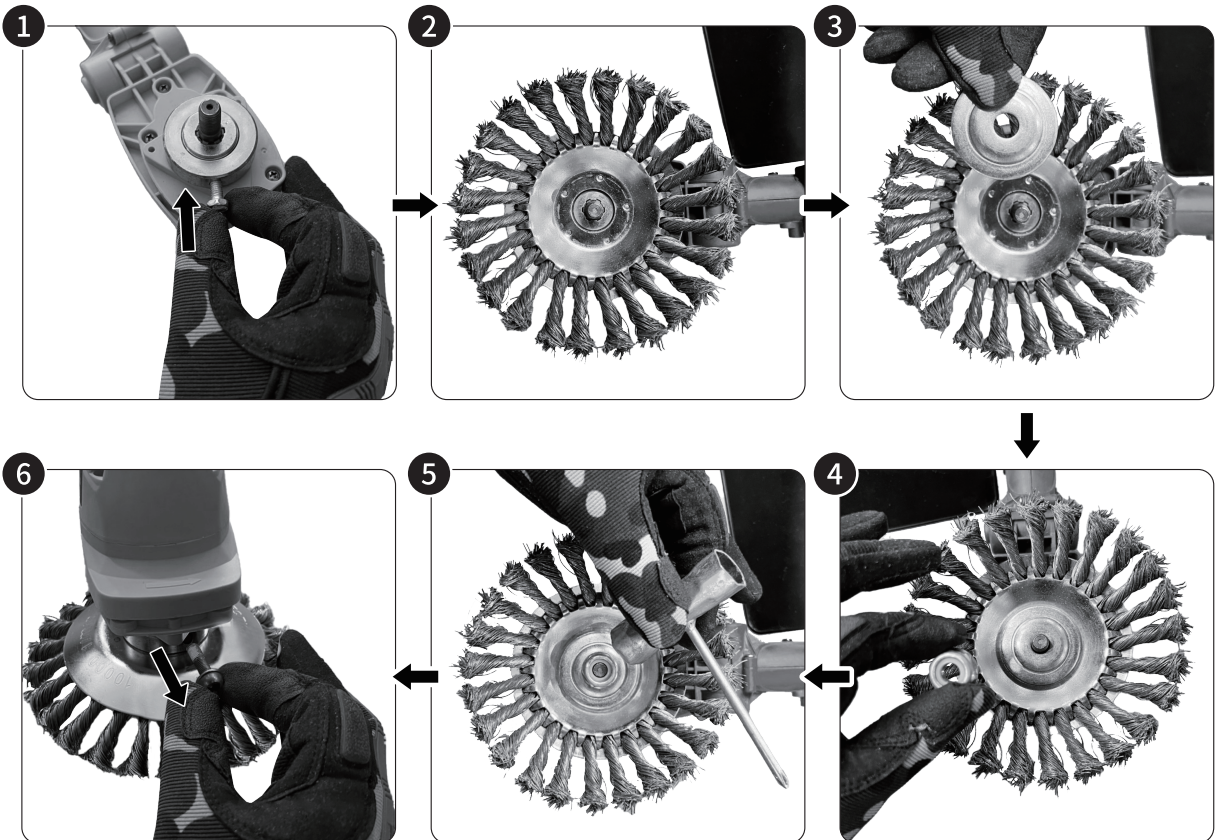
**Note:** Please wear protective gloves when installing or replacing the steel weed brush. Avoid direct contact with the steel wires. The sharp wires can cause personal injuries.

**Note:** please replace the steel weed brush when it is worn. Worn steel weed brush can eject steel wire debris, causing personal injuries.

**Note:** Only use authentic steel weed brush.

1. It is easier to replace the brush when the trimmer head is upside down.

2. Insert the retaining bolt through the eyelet on the motor housing to lock the drive shaft. Place the steel weed brush in the main drive shaft spindle. Install the washer and the hexagon nut on the drive shaft. Tighten the hexagon by rotating it counterclockwise using a T wrench. Then pull out the fixing bolt. Please wear protective gloves during operation to avoid injuries.



## ◆ Steel Weed Brush Removal

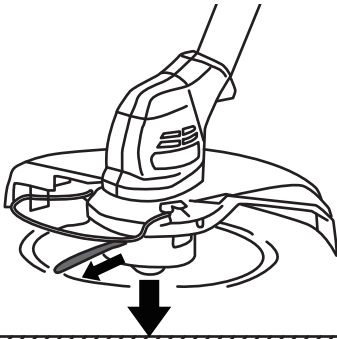
Insert the retaining bolt into the eyelet on the motor housing to lock the drive shaft in place. Loosen the hexagon nut by rotating it clockwise with a T wrench. Then pull out the fixing bolt. Please wear protective gloves during operation to avoid injuries.

# Operation

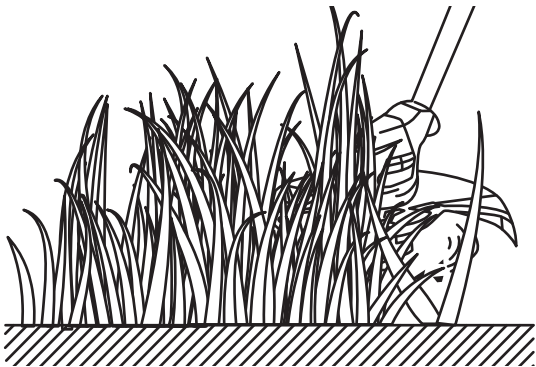
## ● Trimming the Lawn

Note: Avoid collision between the tool and concrete/aspalt pavements. This collision can cause tool damages.

Note: The best cutting motion is located 4-5cm in front of the nylon string. Please keep the nylon string at a proper length. Keeping the nylon string too long can lead to entanglement and damage to the string and the tool.

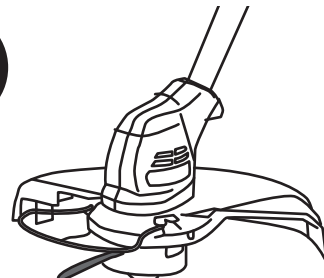
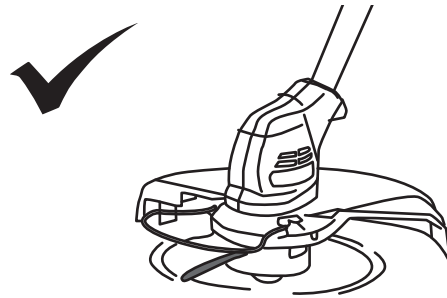


Hold the auxiliary handle with your arm perpendicular to the pole. Keep the pole at a 50-degree angle to the ground and swing it left to right slowly to trim the grass from top to bottom.



Note: Avoid trimming the tall grass from its roots. The trimmer head can be entangled by the tall grass, leading to motor overload and damage.

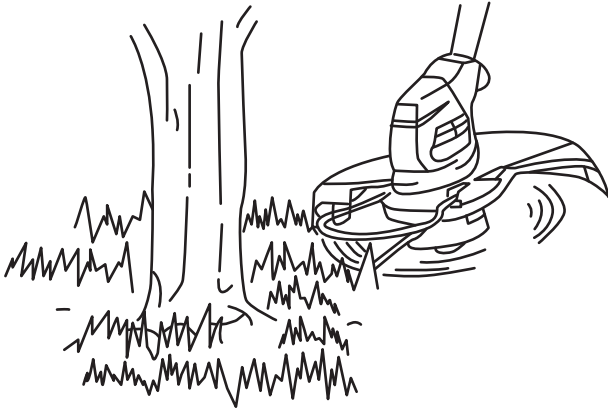
Note: The nylon string and the hedge trimming blade should NOT be in contact with the ground during operation. The motor can be overloaded, leading to tool damage.



Note: Do NOT force the trimmer through thick grass.



## ● Trimming the grass next to trees, bricks, and rocks



Tilt the string trimmer to a certain angle so that the nylon string/the hedge trimming blade will not hit the ground. Trim the grass using the tip of the nylon string or hedge trimming blade in a tapping motion.

### **! NOTE:**

**Note:** Please pay attention to the nylon string or blade when operating the tool around trees or bricks to avoid the collision between the string/blade and the trees/bricks. It is recommended to keep at least 5cm of distance from trees or bricks during operation.

The nylon string and blade can be broken and worn if they hit trees or bricks.

If the nylon string is broken inside the spool, please refer to the replacement and installation procedure to replace the nylon string.

## Maintenance



**Warning:** Please power off the tool and remove the battery before any inspections or maintenance. Failing to do so can lead to unintended start-up and cause serious personal injuries.

Note: Do NOT clean the tool with gasoline, Benzene, thinner, alcohol, or any similar cleansers. These cleansers can cause discoloration, deformation, or fracture of the tool. Please perform the required maintenance regularly to ensure the safety and reliability of the tool.

# Cleaning

Remove any dirt, dust, or grass clippings with a clean cloth or soapy water. Allow the tool to dry thoroughly. Please make sure that the motor housing is free of grass clippings.

# Storage

The hole on the grip can be used to hang the tool on a wall. You can also fold the tool and put it in a toolbox.

# Troubleshooting

Please inspect the tool yourself before any maintenance. If you spot any issue that is not covered by this user manual, please do NOT disassemble the tool. Please email us on our official website for any maintenance or part replacement requests.

Problem	Possible Cause	Solution
The motor is not running	The battery is not connected.	Connect the battery.
	Battery malfunction (low voltage).	Please charge the battery. If the issue persists, please replace the battery.
	Drive system malfunction.	Please email us on our official website for maintenance.
The motor stopped running after operating the tool for a while	The battery is low.	Please charge the battery. If the issue persists, please replace the battery.
	The battery is overheating	Power off the tool and let the battery cool down before start again.

<b>Problem</b>	<b>Possible Cause</b>	<b>Solution</b>
The motor cannot reach its maximum speed.	Battery connection is incorrect.	Please connect the battery according to this user manual.
	The battery is low.	Please charge the battery. If the issue persists, please replace the battery.
	Drive system malfunction.	Please email us on our official website for maintenance.
The blade/string is not moving (please power off the tool immediately!)	Foreign objects (branches, etc.) get stuck between the blade and the safety guard.	Remove any foreign objects
	Drive system malfunction.	Please email us on our official website for maintenance.
Abnormal vibration (Please power off the tool immediately!)	One side of the nylon string is broken.	Slightly tap the trimmer head on the ground to facilitate the string feeding.
	Drive system malfunction.	Please email us on our official website for maintenance.
Cannot stop the tool or motor (Please remove the battery immediately!)	Power or electronic malfunction	Please remove the battery and email us on our official website for maintenance.

## Optional Accessory

Note: Please only use accessories listed in this user manual. Any aftermarket accessories can cause personal injuries. The accessories should only be used as what they are intended for.

**\*Please email us on our official website for more information.**

# **IMOUM**

---

## **L i V E**



Brand: IMOURLIVE

Product name: STRING TRIMMER

Model number: DCCYJ

WEEE-Reg.-Nr. DE 45049658

Manufacture: Chongqing Mouma Keji You Xian GongSi

Address: 4-1, 131Hao, Tian Chi Da Dao, Ba Nan Qu, 401320,  
Chongqing, China

EC REP

EU Responsible Person: C&E Connection E-Commerce (DE) GmbH

Address: Zum Linnegraben 20, 65933, Frankfurt am Main,  
Germany

E-mail: [info@ce-connection.de](mailto:info@ce-connection.de)

Contact Us: [support@imoum.com](mailto:support@imoum.com)

FC CE UK RoHS      
**MADE IN CHINA**