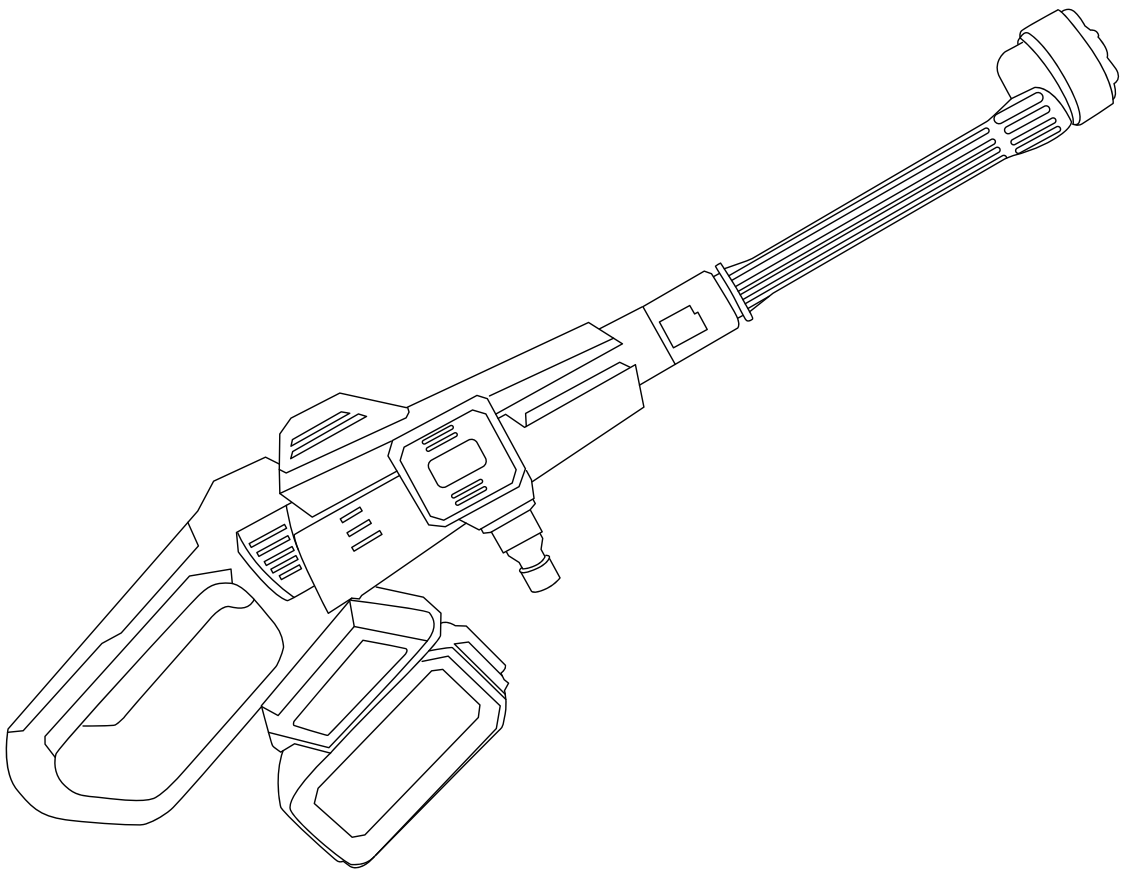


# Cordless Pressure Washer

## User Manual



**IMPUM**  
L I V E

Read all safety rules and instructions carefully before operating this tool.

# Electrical Safety



Always check the voltage of the power supply corresponds to the voltage on rating plate

## Product Information

### Intended use

This equipment is suitable for gardening watering, shrub watering. Washing cars, flushing stains, widely used in gardens, parks, farms, highways, pastures, orchards, greenhouses. Any other uses or modifications to the machine are deemed to be improper usage and may result in serious physical injury. The manufacturer accepts no responsibility for damages attributable to misuse.

### Technical Specifications

Cordless Pressure Washer	
Model No	GYQXQ
Power	300W
Pumping capacity	5L/MIN
Weight	2.7KG
Battery Pack	
Battery Pack Type	Li-Ion
Voltage	21V
Capacity	3.0AH 55Wh
Charging time	2H
Working time	45MIN

# **User Safety Warning!**

**Before using this product, please read the safety regulations and related safety warnings carefully! The following signs and instructions can cause electric shock, fire or personal injury! Be sure to keep the warning notes for unfamiliar operators! Hand-held lithium battery cleaning machine use safety warning!**

- When using the machine, please ensure that it is the original machine and accessories (charger and battery pack).
- Avoid water flowing to people and live parts during use.
- Make sure the battery pack is charged out of reach of children.
- If the battery pack and charger are dropped, bumped or wet, please stop using them immediately!
- The battery pack must be charged under supervision.
- The charger must be an original charger (other charging accessories or charging methods are prohibited without authorization or as suggested by the original factory).
- Do not charge in high temperature or unattended or within the reach of children.
- Please check the charger, battery pack, and main unit of the car washing machine regularly. If there is any abnormality, damage or failure, please do not modify or disassemble at will.
- Batteries contain lithium. In order to protect the environment, used batteries should be sorted and recycled, and should not be discarded at will!
- Do not expose to water and fire (or near fire).

## **Instructions**

### **Safety Precautions for Battery Packs**

1. Do not disassemble, open or shred the battery pack.
2. Do not expose the battery pack to heat sources or high temperature sunlight.
3. Do not short-circuit the battery pack (connect the positive and negative poles), and do not put the battery pack in the drawer of the box to avoid short-circuiting with other batteries or other metal objects.
4. Do not remove the battery or battery pack from its original packaging before use.
5. Avoid dropping the battery pack or subjecting it to mechanical shock.
6. If the battery leaks, avoid direct contact with the leaked fluid on your eyes or skin. In case of accidental contact, immediately rinse the contact area with water and seek medical attention promptly.
7. Do not use non-original chargers and battery packs. (May cause machine failure or unexpected personal injury)
8. Pay attention to the positive and negative symbols on the battery pack to ensure that

the connection is correct.

9. Keep the machine and battery pack away from children.

10. To purchase a matching battery pack or charger, you must purchase it according to the manufacturer's instructions.

11. Ensure that the battery pack is clean and dry. (If there is dust or residual moisture, please wipe it with a clean cloth or air dry immediately, do not use a hair dryer or heat gun to dry it)

12. The battery pack must be charged before use, using the correct charger and referring to the manufacturer's operating instructions or original equipment instructions.

13. Do not charge the battery pack for a long time when the machine is not in use. Note that the green light is fully charged and the red light is charging.

14. The battery pack should undergo multiple charge/discharge cycles for optimum performance when the machine is not in use for extended periods of time.

15. The battery pack has the best performance at room temperature (20°C+5°C).

16. This product is only suitable for cleaning home doors and windows, courtyards, vehicles and gardens. Not intended for commercial or clocked mobile operation, must not exceed battery life or high frequency forced use.

17. When the machine is not in use, remove the battery pack, disconnect it from the main unit, and place it in a dry place out of the reach of children.

18. When the battery pack is damaged due to human error, collision, high temperature, etc., it should be properly handled and restored. Do not discard it at will, so as not to pollute the environment.

## Product Description

Research and development, design, manufacture and product development of lithium battery wireless handheld cleaning machine: Based on the principle of user experience first and quality first, it is a custom-developed product for the majority of car enthusiasts and home cleaning and cleaning, pursuing the advantages of convenience, speed, portability and energy saving. Wireless products are not affected by the working radius of the plug, and the battery is strong and stable, can be carried with you, suitable for multi-scenario applications, saving power and saving you time and cleaning costs anytime, anywhere. Its high efficiency will bring you DIY cleaning fun and quality experience.

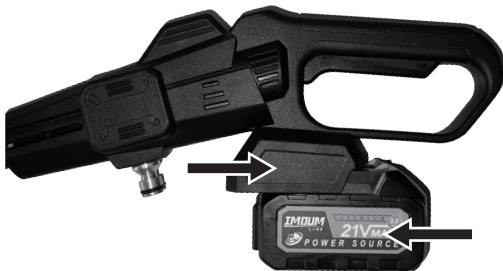
# Installation Procedure and User Requirements



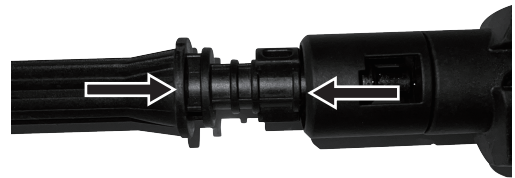
**WARNING:** Please read the instructions carefully before operating the cleaner.  
**WARNING:** DO NOT USE THE SPRAY GUN ON PERSONS. Or inject directly into live equipment.

Open the box and confirm that the machine and the corresponding model are in good condition. Take out the accessories one by one and put them in the machine. Please install and use according to the operating rules!

**Machine Type:** 21V lithium battery



Step 1: As shown in the figure, insert the battery pack into the machine correctly, and the charging time is about 3 hours to be fully charged, please do not over-charge).



Step 2: As shown in the figure, insert the gun head correctly into the machine and rotate. (Two-way force insert rotary tightening).



Step 3: As shown in the figure, insert the let connector (there is a sealing ring in the connector, check whether it is in good condition) into the machine (if it is not installed in place, the machine will not absorb water, idle, and have no pressure).



Step 4: After completing the installation steps, put the water inlet pipe at the other end of the filter into the water source. It must be wholly immersed in the water and cannot float on the surface. Otherwise, air will enter, and the machine cannot be used normally.



Step 5: How to install the foam spray can: Insert the foam nozzle into the bucket and rotate the clamp as shown (insert the bayonet at both ends, rotate the clamp).

Step 6: After cleaning, remove the battery pack and other accessories and place them in a cool and dry place (do not store them in the trunk of a car or high-temperature environment).

## Operation Precautions

1. After assembly, press and hold the trigger for 10 seconds to 15 seconds to empty the air in the intake pipe (if there is still no water, check whether the intake port is connected well or the intake pipe is full of water).
2. Do not use water guns on children and animals to avoid injury.
3. In winter, the water in the water pipe should be drained immediately to prevent the water gun from freezing.
4. Due to excessive pressure, it is strictly forbidden for children to operate the car wash water gun to avoid injury.

## How to Clean Your Vehicle Quickly

Wet the vehicle with a fan nozzle (spray from top to bottom), wash off the dust on the surface, then use a high-pressure straight pipe to wash off the dirty parts such as thick soil, and use a foaming pot to spray foam the entire body. Then use a car wash sponge to scrub the vehicle. Finally, wash the vehicle with a car washer.

Car washing machine, the standard car washing time is 10-20 minutes, and the water is 25-40 liters (2-3 buckets of water).

# Troubleshooting

FAQ	Cause Analysis	Solutions
The machine does not absorb water	1. The machine is too high from the water surface	As low as 1.5 meters below the ground
	2. The filter is blocked by foreign matter	Remove filter and clean
	3. The connection between the inlet pipe and the machine is faulty, or the intake pipe is broken	Check and replace air pipes
	4. bending water inlet pipe	Straighten the intake pipe and reconnect
	5. The pump was frozen due to the cold weather	Reboot after defrosting
Sudden increase of water pressure or abnormal shape of water	A foreign object blocks the head of the water gun	Prick the nozzle with a needle or replace it with a new head
The machine won't start	1. No battery pack installed	Reinstall
	2. The battery pack is out of battery	Charge or replace the battery pack with a new one
	3. Damaged battery pack	Replace the battery pack
The battery pack does not charge	A mismatched or damaged charger	Replace the supporting charger
The pressure of the machine is not continuous	1. There is air in the pump	Check that fittings and pipes are in good condition
	2. The machine is in low voltage mode	Normal at low pressure, no need to do anything
Machine stops automatically	1. The battery pack is out of battery	Charge or replace the battery pack
	2. The gun head is blocked. Current protection	Clean or replace the head
Internal leakage	Chemical acid source or assembly reason	Avoid chemical liquids

## Repair and Maintenance

1. Before each use, check the machine and parts for damage. If damaged, stop using the machine immediately.
2. The intake pipe and filter must be cleaned after each use, and the bag must be stored to avoid oxidation for future use.
3. After use, run the machine empty for a few seconds to drain the residual moisture inside the machine, avoid oxidative dirt and weather freezing, and store it in a dry and cool place.
4. Waste disposal: Damaged accessories and packaging materials must be sorted, recycled and marked.
5. In hot weather, do not store in the trunk of the car to avoid fire caused by high temperature.



Warning: Do not use chemical acids and muddy water, always use clean, impurity-free water.

# **IMOUM**

---

## **L i V E**



Brand: IMOURLIVE

Product name: Cordless Pressure Washer

Model number: GYQXQ

WEEE-Reg.-Nr. DE 45049658

Manufacture: Chongqing Mouma Keji You Xian GongSi

Address: 4-1, 131Hao, Tian Chi Da Dao, Ba Nan Qu, 401320,  
Chongqing, China

EC REP

EU Responsible Person: C&E Connection E-Commerce (DE)  
GmbH

Address: Zum Linnegraben 20, 65933, Frankfurt am Main,  
Germany

E-mail: [info@ce-connection.de](mailto:info@ce-connection.de)

Contact Us: [support@imoum.com](mailto:support@imoum.com)

FC CE UK RoHS        
MADE IN CHINA