

Kombi

# Kombi

Instructions & Maintenance



For details or information on any of the fleet products contact:

**Fleet (Line Markers) Limited**

Fleet House, Spring Lane, Malvern, Worcestershire, WR14 1AT, United Kingdom

Tel: +44 (0) 1684 573535 Fax: +44 (0) 1684 892784

Email: sales@fleetlinemarkers.com www.fleetlinemarkers.com

Pour obtenir de plus amples détails ou des informations sur les produits de Fleet,  
Veuillez vous adresser à:

**Fleet (Line Markers) Limited**

Fleet House, Spring Lane, Malvern, Worcestershire, WR14 1AT, Royaume-Uni

Tel: +44 (0) 1684 573535 Fax: +44 (0) 1684 892784

Email: sales@fleetlinemarkers.com www.fleetlinemarkers.com

Weitere Details und Informationen Über Fleet-Produkte erhalten Sie von:

**Fleet (Line Markers) Limited**

Fleet House, Spring Lane, Malvern, Worcestershire, WR14 1AT, Großbritannien

Tel: +44 (0) 1684 573535 Fax: +44 (0) 1684 892784

Email: sales@fleetlinemarkers.com www.fleetlinemarkers.com

Si desea más información sobre cualquier product Fleet, Póngase en contacto con:

**Fleet (Line Markers) Limited**

Fleet House, Spring Lane, Malvern, Worcestershire, WR14 1AT, Reino Unido

Tel: +44 (0) 1684 573535 Fax: +44 (0) 1684 892784

Email: sales@fleetlinemarkers.com www.fleetlinemarkers.com

**BY AIR MAIL**

*par avion*

*Royal Mail*

IBRS/CCRI NUMBER:  
PHQ-D/8888/WR

NE PAS AFFRANCHIR



NO STAMP REQUIRED

---

**RESPONSE PAYEE  
GRANDE BRETAGNE**

---

Fleet (Line Markers) Limited

Fleet House

Spring Lane

Malvern

Worcestershire

WR14 1AT

GREAT BRITAIN



## WARRANTY

A 12 month warranty is provided with the Kombi.  
Please complete the attached slip and return free post from anywhere around the world to Fleet's  
Head Quarters in England.

The Kombi is not guaranteed against normal wear and tear.  
This guarantee does not interfere with the customer's statutory rights.

<b>Name / Company Name :</b>	.....
<b>Address :</b>	.....
<b>Address :</b>	.....
<b>Town :</b>	.....
<b>Country / State :</b>	.....
<b>Postal / Zip :</b>	.....
<b>Telephone Number :</b>	.....
<b>E-mail Address :</b>	.....
<b>Date purchased :</b>	.....
<b>Where Purchased :</b>	.....

Extended Warranty is an optional extra, please tick if further details required

**Kombi Serial Number**  
.....



## English Introduction

---

### Introduction

Many thanks for choosing the Kombi Spray Machine from Fleet (Line Markers) Limited. The most versatile and cost effective line marking and spray machine on the market today.

P. A. McGuffie founded Fleet in the 1950's, since then it has grown to be regarded as the world's leading expert in the field of linemarking.

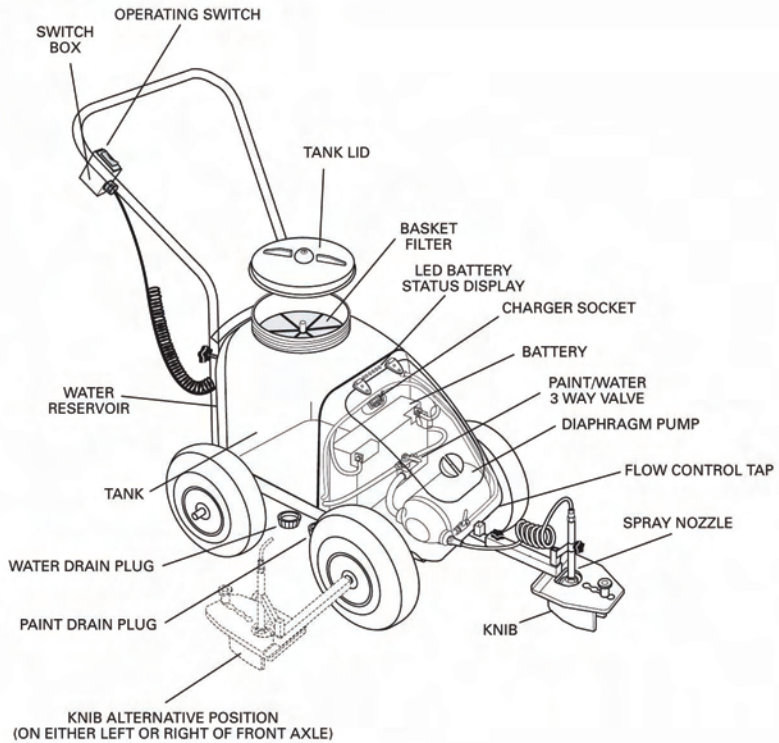
Of course it's just not the machines that Fleet are famous for, our range of linemarking paints and powders are used around the world, wherever the pitch, whatever the occasion.

For more details on any of the products in Fleet's range please log onto [www.fleetlinemarkers.com](http://www.fleetlinemarkers.com)

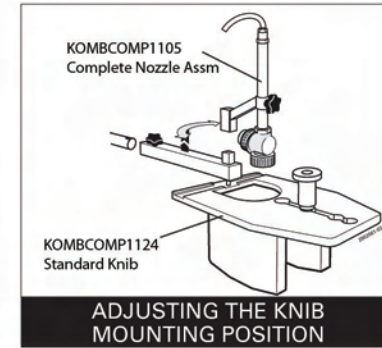
---

Specification:  
Capacity: Tank 25ltr, water reservoir 6.5ltr.  
Weight: 26.5 kg dry. Up to 70kg wet.  
Noise output: less than 70db.

## English Kombi Diagram



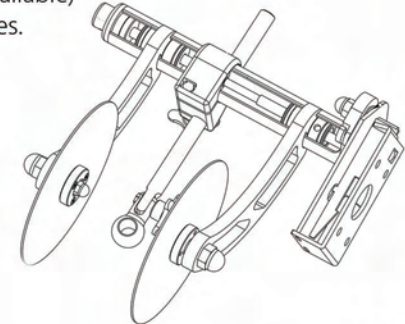
## English Knib Diagram



Also Available:

**Kombi Wheeled Knib** (front & side mounted versions available)  
These allow marking on Grass, Synthetic and Hard surfaces.

Please visit our website or call our sales team for more information. [www.fleetlinemarkers.com](http://www.fleetlinemarkers.com)



## English Assembly

### Assembling your Kombi Line Marker:

- \* Carefully remove the machine and the extras from the box.
- \* Insert handlebar; adjust to suit the user's height. Tighten by using the thumb screw.
- \* Charge the Kombi by connecting the charge plug into the charge socket located under bonnet above the battery and connecting charger unit to an appropriate power source for twelve hours. Indicator lights on charger unit show RED when charging, GREEN when charging is complete.

To check battery status when machine is in use, connect RED crocodile clip under bonnet to the battery's + terminal. The LED display on top of machine will give indication of remaining battery power. Remember to disconnect the clip after use.

Keep battery fully charged by putting machine on charge after each use.

DO NOT leave charger permanently connected to power source. If machine is unused for more than one week, charge battery before use.

### **CAUTION: ONLY USE CHARGER UNIT PROVIDED**

**Front Marking.** Push the Knib support arm onto the fitting at front of the Machine and tighten screw at rear of support arm.

**Side Marking.** Loosen screw on bottom of support arm, rotate arm 90 degrees and re-tighten screw.

Locate arm on front wheel axle and tighten screw. Knib should be in trailing position behind axle. (see diagrams on page 2 & 3)

To adjust line width, pull adjuster knob upwards, then slide backwards or forwards to pre-set widths – 1.5" 2" 3" or 4".

## English Marking

### To Begin Marking:

- \* Ensure the battery is fully charged.
- \* Ensure Basket Filter is in position.
- \* Fill tank with required level of water and then add Fleet paint. (ALWAYS PUT WATER IN FIRST)
- \* Ensure Paint/Water tap is on paint
- \* To circulate paint open Flow Control Tap (lever placed parallel to pipework) and switch pump on. Switch pump off when mixing is complete.
- \* Screw lid down securely
- \* To begin marking, close Flow Control Tap (lever at 90 degrees to pipework) switch Pump on, and walk forward at required marking speed.

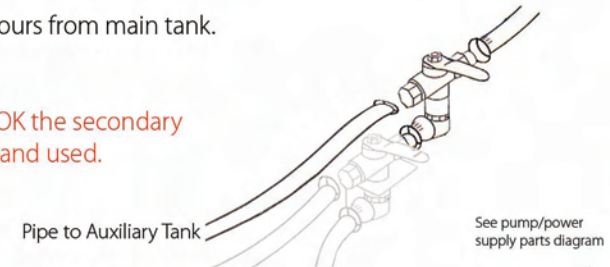
### Coloured Marking:

Coloured Fleet paint can be used in the main tank. If operator does not wish to use the main tank, the inlet hose and filter can be placed in a separate container. Ensure that the Flow Control Valve is closed.

This eliminates the need to clean colours from main tank.

### Auxiliary Tank:

If using in conjunction with the e - ROK the secondary paint/water valve can be connected and used.



## English Paint Mixing

---

Fleet's ever increasingly wide range of Linemarking paints, are perfect for Grass, Synthetic and Hard surfaces.

Their dilution rates, methods of application durability all vary. All Fleet's products come with instructions provided, and the Sales Team are available to provide information and advice during normal working hours.

### **Pitchmarker C, Q2 and Super C:**

These Pitchmarkers are concentrates and are manufactured for dilution with water. Add water until your desired strength is obtained. The following are the recommended dilution rates for use with Kombi.

#### **First Mark**

1 part Pitchmarker C to 2 parts water

1 part Pitchmarker Q2 to 3 parts water

1 part Pitchmarker Super C to 4 parts water

#### **Overmarking**

1 part Pitchmarker C and between 2 and 6 parts water

1 part Pitchmarker Q2 and between 2 and 5 parts water

1 part Pitchmarker Super C and between 4 and 10 parts water

### **Blinder:**

Specially formulated product to give an extremely bright line. A concentrated paint with the following recommended dilution rates:

**First Mark** 1 part Blinder to 4 parts water

**Overmarking** 1 part Blinder and between 4 and 20 parts water

## English Paint Mixing

---

### **Permanent Marking Fluid:**

For hard surface marking dilute: 500ml of water to every 5 litres of PMF.  
Mix thoroughly when water is added.

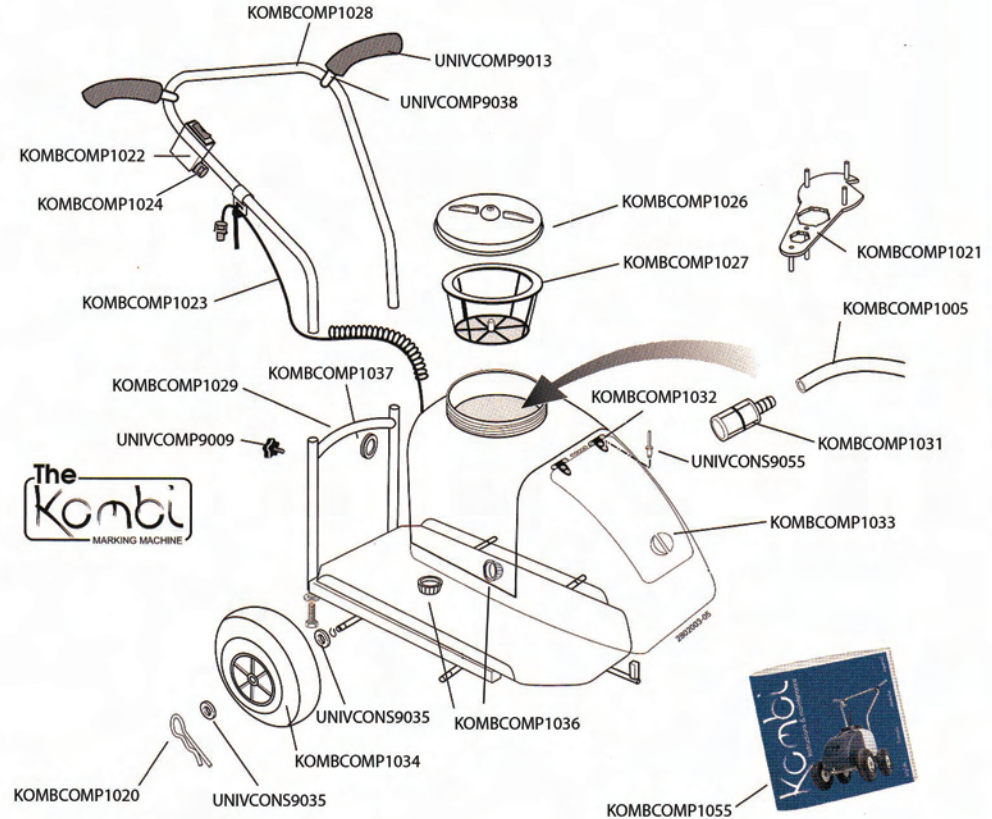
### **Synthetic Turf Coating (STC) :**

Specially formulated for Rubber Crumb, Sand Dressed, Sand Filled, and Water Based Synthetics.

Dilute 4 parts STC to 1 part Water.

# English Parts

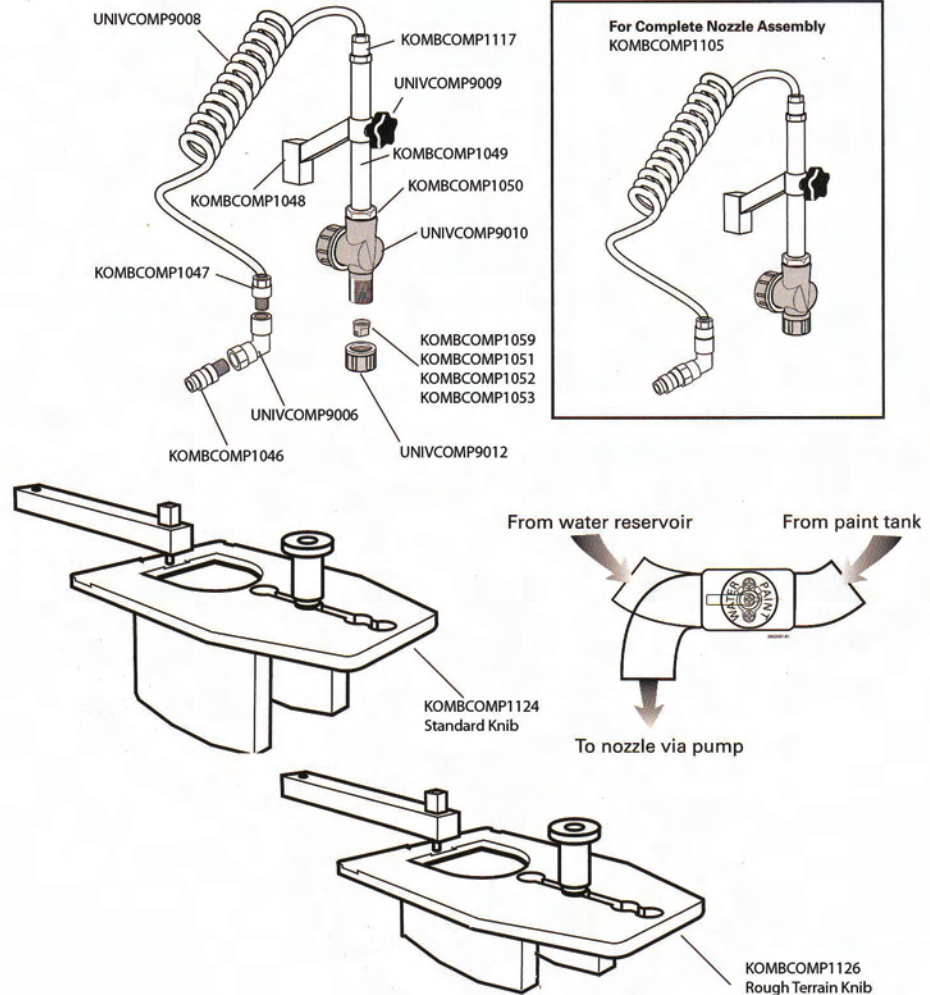
- |              |                                    |
|--------------|------------------------------------|
| KOMBCOMP1005 | MK11 Kombi Clear Unreinforced Hose |
| KOMBCOMP1020 | MK11 R Clip                        |
| KOMBCOMP1021 | MK11 Spanner                       |
| KOMBCOMP1022 | Mk11 Operating Switch Complete     |
| KOMBCOMP1023 | MK11 Coiled Mains Cable            |
| KOMBCOMP1024 | MK11 Cable Socket                  |
| KOMBCOMP1026 | MK11 Tank Lid                      |
| KOMBCOMP1027 | MK11 Basket Filter                 |
| KOMBCOMP1028 | MK11 Handlebar Top Section         |
| KOMBCOMP1029 | MK11 Handle Bar - Bottom Section   |
| KOMBCOMP1031 | MK11 Tank Filter (0501-05)         |
| KOMBCOMP1032 | MK11 Stayput Plastic Hinge         |
| KOMBCOMP1033 | MK11 Bonnet                        |
| KOMBCOMP1034 | MK11 Wheel (c/w Bearing)           |
| KOMBCOMP1036 | MK11 Drain Cap White               |
| KOMBCOMP1037 | MK11 2 Inch Vented Water Cap       |
| KOMBCOMP1055 | MK11 Booklet                       |
| UNIVCOMP9009 | MK11 M6 Thumb Screw                |
| UNIVCOMP9013 | MK11 Rubber Grips                  |
| UNIVCONS9035 | 1 3/8od x 5/8 Inch id x 16g Washer |
| UNIVCOMP9038 | MK11 bar end                       |
| UNIVCONS9055 | MK11 Rivet 3.2 x 20mm              |



# English Parts

KOMBCOMP1046 1/4 inch BSP Male Coupling  
 KOMBCOMP1047 Mk11 8 x 6 x 1/4 Parallel Stud  
 KOMBCOMP1048 Mk11 S/S Nozzle Holder  
 KOMBCOMP1049 Mk11 Brass Extension  
 KOMBCOMP1050 Mk11 Brass Adapter  
 KOMBCOMP1051 Nozzle Tip Ultra Blue 110  
 KOMBCOMP1052 Nozzle Tip Orange 110  
 KOMBCOMP1053 Nozzle Tip Racing Green 110  
 KOMBCOMP1059 Nozzle Tip Red 110  
 KOMBCOMP1105 Complete Nozz Assembly & Hose  
 KOMBCOMP1117 Mk11 8 x 6 x 1/8 Parallel Stud  
 KOMBCOMP1124 Mk11 Standard Knib  
 KOMBCOMP1126 Kombi Rough Terrain Knib

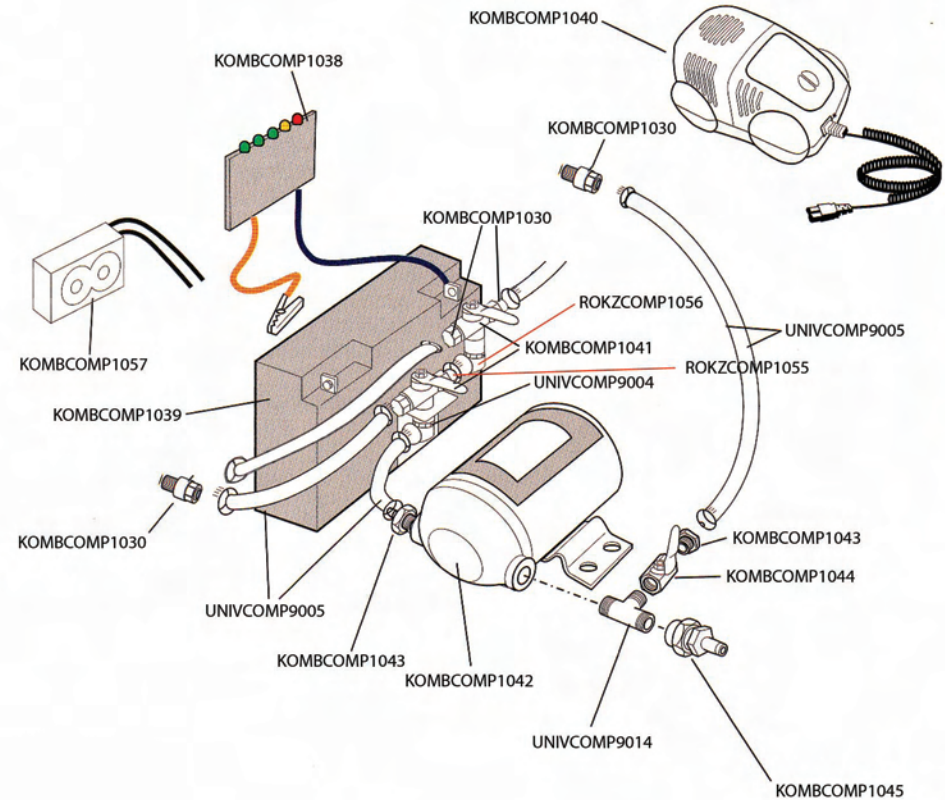
UNIVCOMP9006 Mk11 1/4 inch Elbow F/F  
 UNIVCOMP9008 Mk11 Coiled Hose Blue  
 UNIVCOMP9009 Mk11 M6 Thumb Screw  
 UNIVCOMP9010 Mk11 DCV Nozzle Holder  
 UNIVCOMP9012 Mk11 Cap Nut Poly Grey





## English Parts

KOMBCOMP1030	Mk11 1/4 Inch F Push Fitting
KOMBCOMP1039	Mk11 SLA Battery
KOMBCOMP1038	Mk11 Led Board Ass.
KOMBCOMP1040	Mk11 Charger
KOMBCOMP1041	Mk11 Paint Water Tap 3 Way
KOMBCOMP1042	Mk11 Diaphragm Pump
KOMBCOMP1043	Mk11 3/8 Male Push Fitting
KOMBCOMP1044	Mk11 Return Tap/Flow Control
KOMBCOMP1045	Mk11 3/8 Female / Male Connector
KOMBCOMP1057	Mk11 Charge Socket
UNIVCOMP9004	Mk11 1/4 inch Swivel Elbow
UNIVCOMP9005	Mk11 PVC Tube 8mm od x 5mm
UNIVCOMP9014	Mk11 Male Equal Tee 3/8
ROKZCOMP1055	M/F Hex Head Adaptor
ROKZCOMP1056	M/F Elbow



## English Maintenance

---

Immediately after every marking session, ensure the Clean Water Tank at the rear of the Kombi contains clean water (or ideally a solution of Kombi Klean – ask Fleet’s Sales Team for details) and flush the system through by switching the Paint/Water Tap to water, then run the Pump for at least 20 seconds until clean water is sprayed from the nozzle.

If the flow control valve was used, purge the return pipe by opening flow control

Clean the tank – this can be done by spraying water into the tank with the nozzle assembly.

If the machine is going to be left for more than 24 hours without marking, you must drain and clean the tank. Drain paint via the Drain Plug on the side of the Tank Body, the spanner provided can be used to loosen the cap if tight.

Always rinse out the basket filter.

Re-charge the battery ready for the next days marking.

In cold weather the water tank can be filled with hot (not boiling) water to serve as a thermal jacket for the paint. Water should not be hotter than a person could comfortably place their hand in. It is also helpful in very cold weather, to use warm water in the paint mix. This will reduce the likelihood of paint freezing in the nozzle.

## English Warranty

---

The Kombi is capable of producing outstanding lines.

The Kombi pump has been matched for ultimate performance and reliability when used with Fleet paint.

The Kombi is guaranteed against any manufacturing defects. Any manufacturing defects will be corrected/replaced as soon as possible.

The Kombi is not guaranteed against normal wear and tear.

This guarantee does not interfere with the customer’s statutory rights.

The pump is guaranteed for 12 months when using Fleet paint.  
Machine must be registered by posting the warranty card at the front of this booklet.

## English Problem Solving

### Problem

Machine does not spray but pump is running.

### Possible cause & solutions

1. Are you using Fleet paint?  
the pump has been selected for use with Fleet paint.
2. No liquid in selected tank (paint/water).
3. Airlock – switch tap to water. Uncouple Flexi-hose connection, located on the out side at the front of machine When water comes through switch off and re-couple.
4. Blockage – Remove nozzle tip and clean  
**(DO NOT USE ANYTHING SUCH AS A PIN FOR EXAMPLE, TO CLEAR BLOCKAGE)**

Switch on, but pump does not work

1. Check battery status.
2. Ensure plug is connected into back of switch.
3. Check battery and pump connections  
If still problems – call local dealer, the helpline, or contact Fleet's world headquarters from web site .  
[www.fleetlinemarkers.com](http://www.fleetlinemarkers.com)

Pump is pulsating

1. The material is too thick, add a small amount of water and/or adjust flow control valve.

Battery not charging

1. Check battery with meter, call Helpline.

Status display does not light up.

1. Battery is totally flat.
2. Check that status display connection is not broken.

The information contained in this leaflet is produced in good faith, and Fleet believe it to be correct at the time of going to print. Fleet reserve the right to alter without notice the design and content of the Kombi.

## English Kombi Accessories

---

### **The Athletics Boom:**

Athletic track lane marking becomes easy with the athletic boom. Just clip on the boom and mark multiple lanes at once. Lane width is totally adjustable.

### **1.5m Adjustable Chemical Spray Boom:**

With an adjustable four height position, easy push-on and pull-off boom along with a 1.5 metre spray width, it offers the user an advanced spray system at an affordable price.

### **Front Mounted & Side Mounted Wheeled Knibs:**

Adjustable line width from 25mm to 100mm, allows marking on Grass, Synthetic & Hard surfaces. The guide wheels run independently of each other allowing the contours of the surface to be marked leaving crisp line definition.

### **Jockey Wheel:**

A small front axle mounted wheel which allows a much tighter turning circle, particularly useful for playground markings such as spirals, snakes etc.

### **Hand Lance:**

The Kombi hand lance is the ideal optional extra for spot spraying and filling in areas that are difficult to reach.

## English Kombi Ride On Conversion

---

The Kombi can be easily turned in to a ride on maker with the e-ROK.

Fleet's environmentally friendly electric ride on unit utilises the Kombi marker allowing surfaces to be marked quickly and efficiently.

For more information please visit our website: [www.fleetlinemarkers.com](http://www.fleetlinemarkers.com)