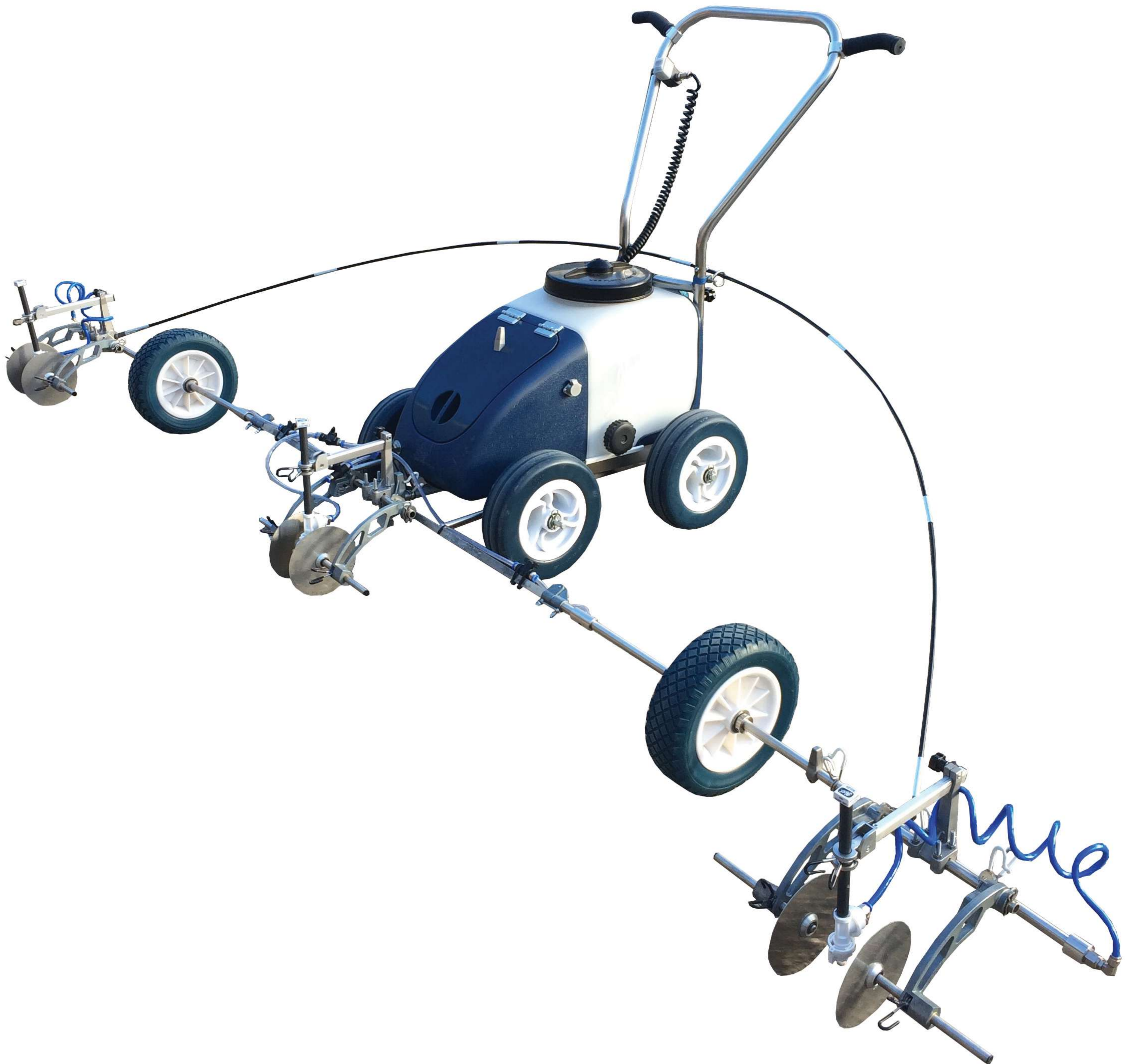


# Athletic Boom

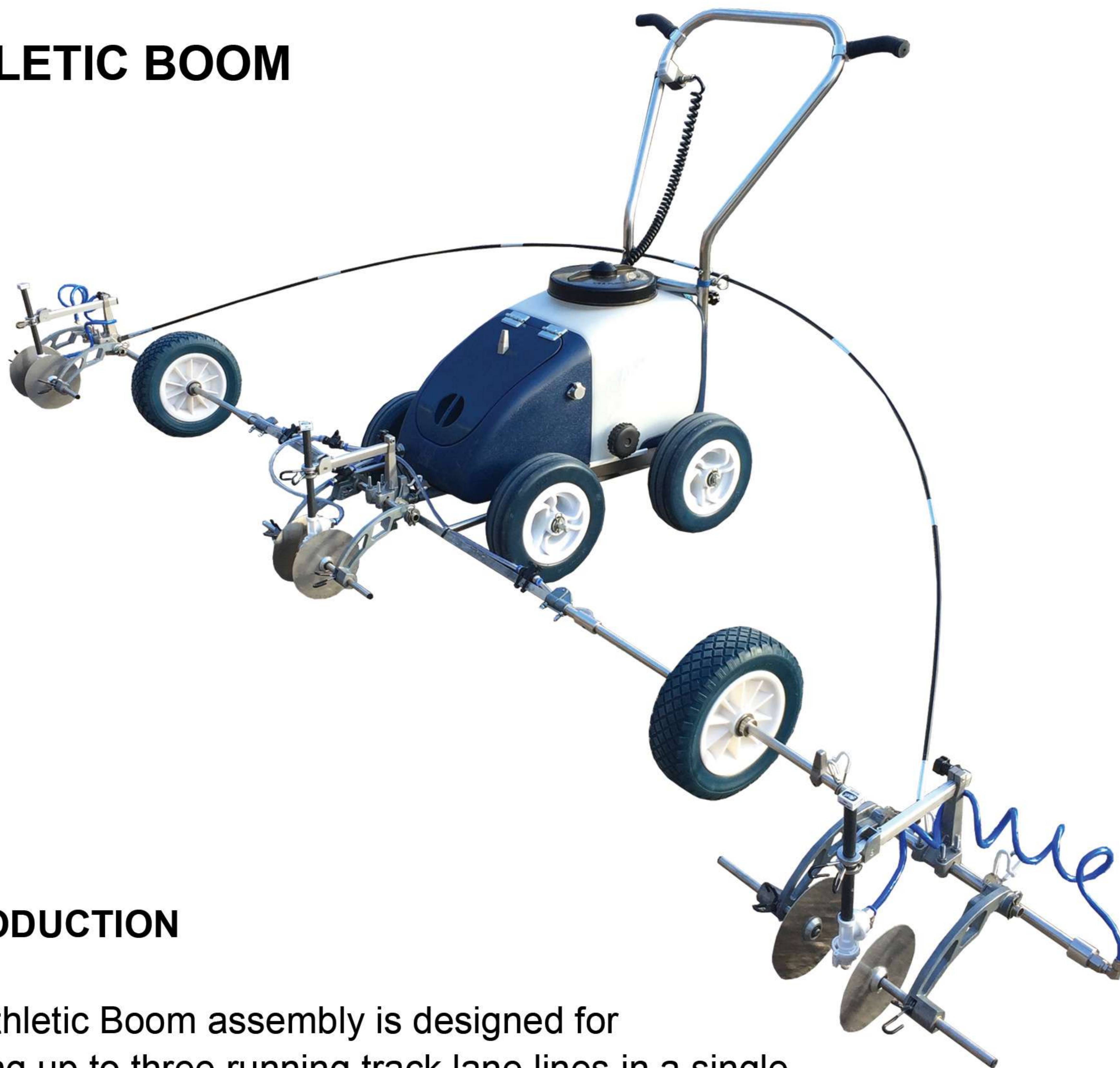


[www.flmuk.com](http://www.flmuk.com)

Fleet (Line Markers) Limited Fleet House, Spring Lane, Malvern, Worcestershire, WR14 1AT

Tel: + 44 (0) 1684 573535 Fax: + 44 (0) 1684 892784

# ATHLETIC BOOM



## INTRODUCTION

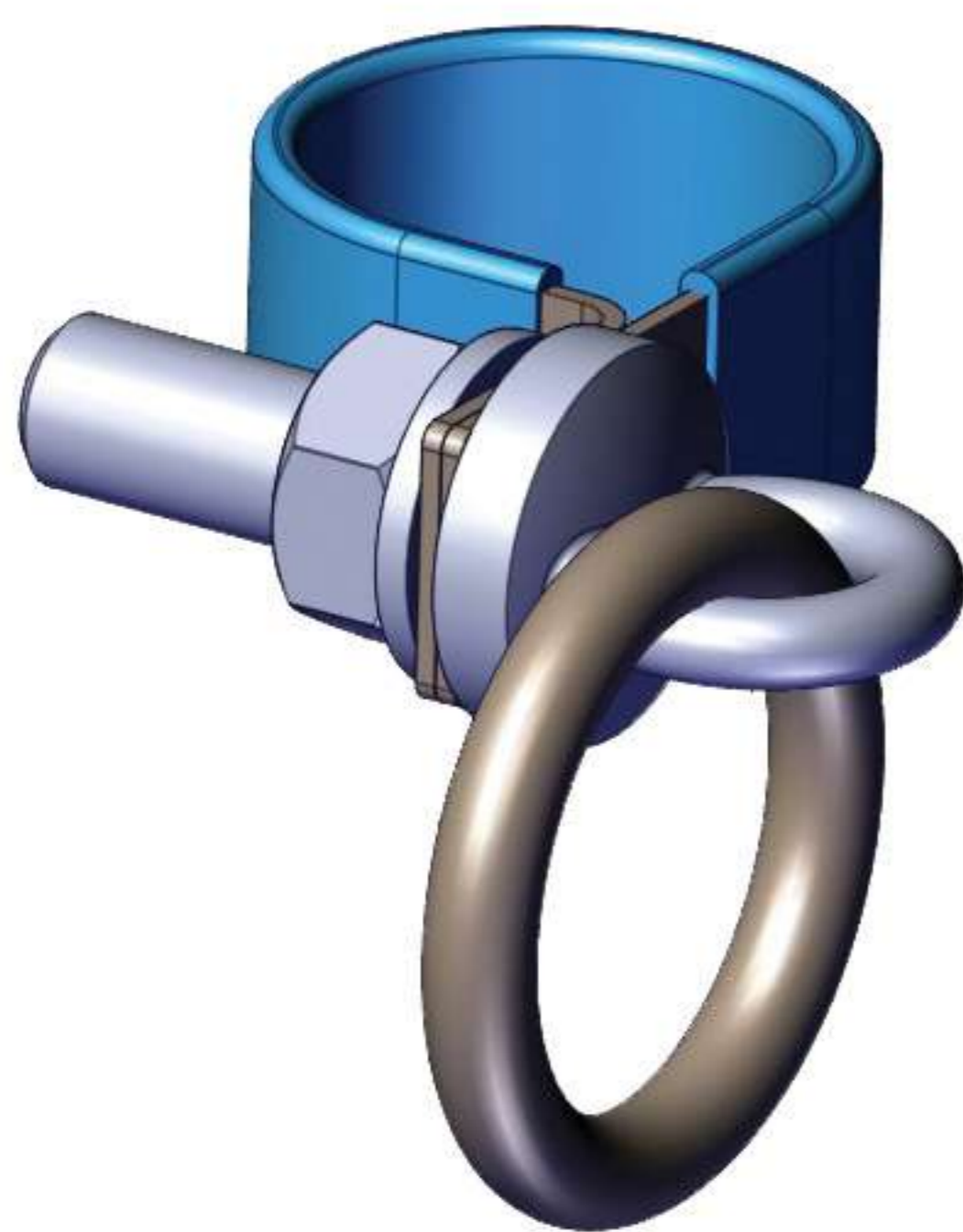
The Athletic Boom assembly is designed for marking up to three running track lane lines in a single operation. The Athletic Boom fits to a standard Kombi III without the need for any conversion. The Host Kombi can revert back to a single line marking machine when the Athletic Boom is removed. When the Athletic Boom is fitted and is in transport mode, the Kombi can be used as a normal Kombi.

## FEATURES

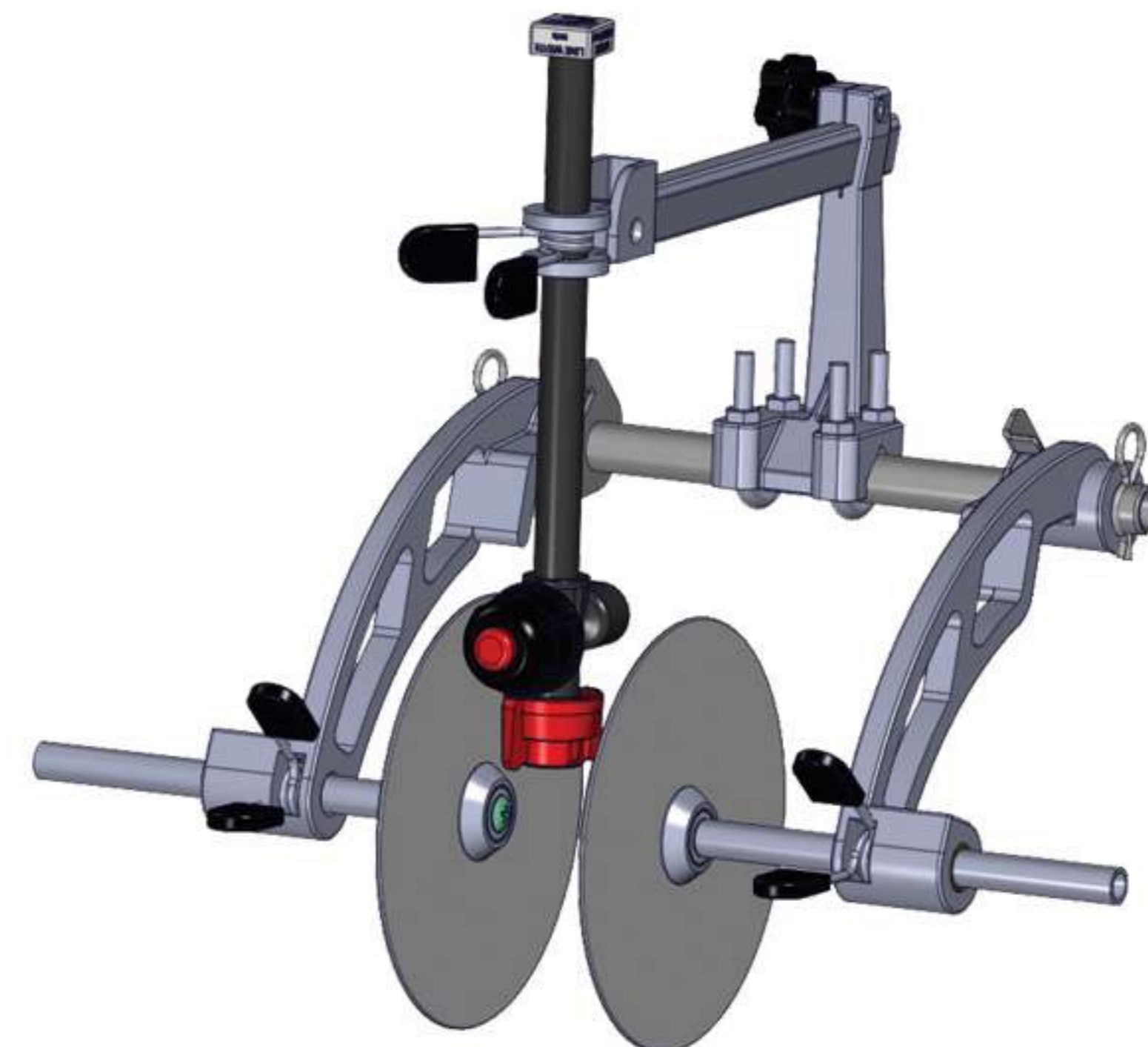
- Marking up to three lines at a time
- Lines of varying thickness can be achieved using the wheeled knob
- Variable lane widths
- Able to mark four '1 yard' hash marks simultaneously (American football pitch)  
(An additional Fleet wheeled nib is required for this operation)
- Folds away for easy transportation
- Paint wand auxiliary take off for detailed marking
- Fits a standard Kombi Mk III machine

## PARTS

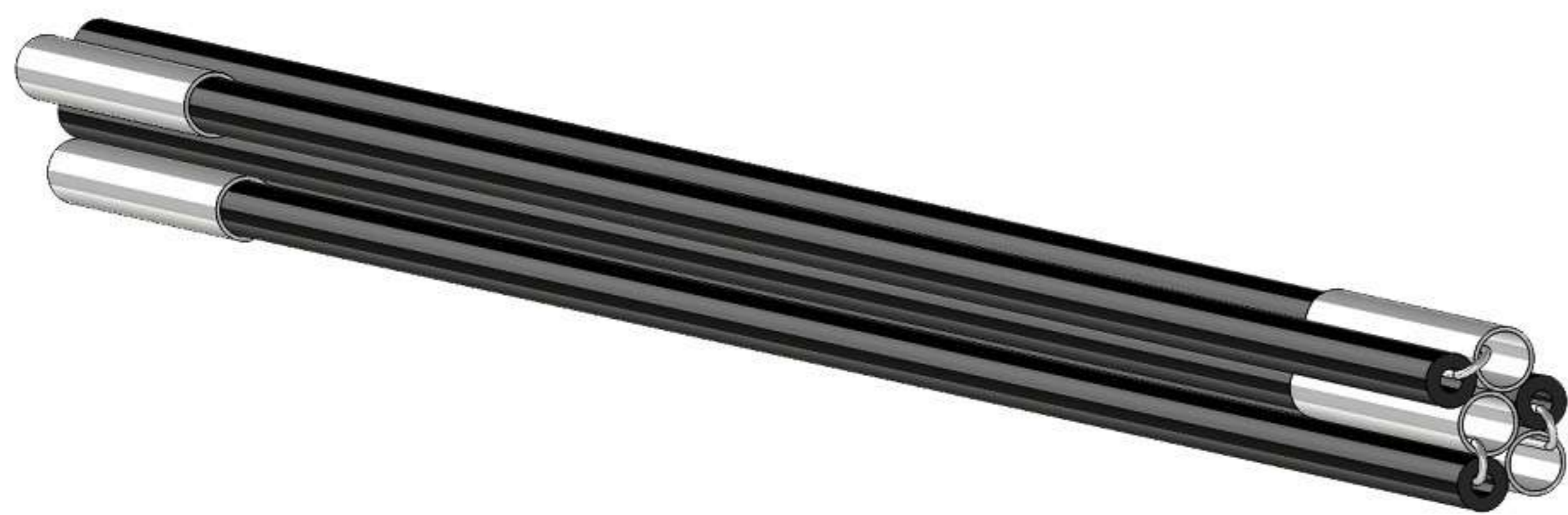
2 x Boom support assemblies



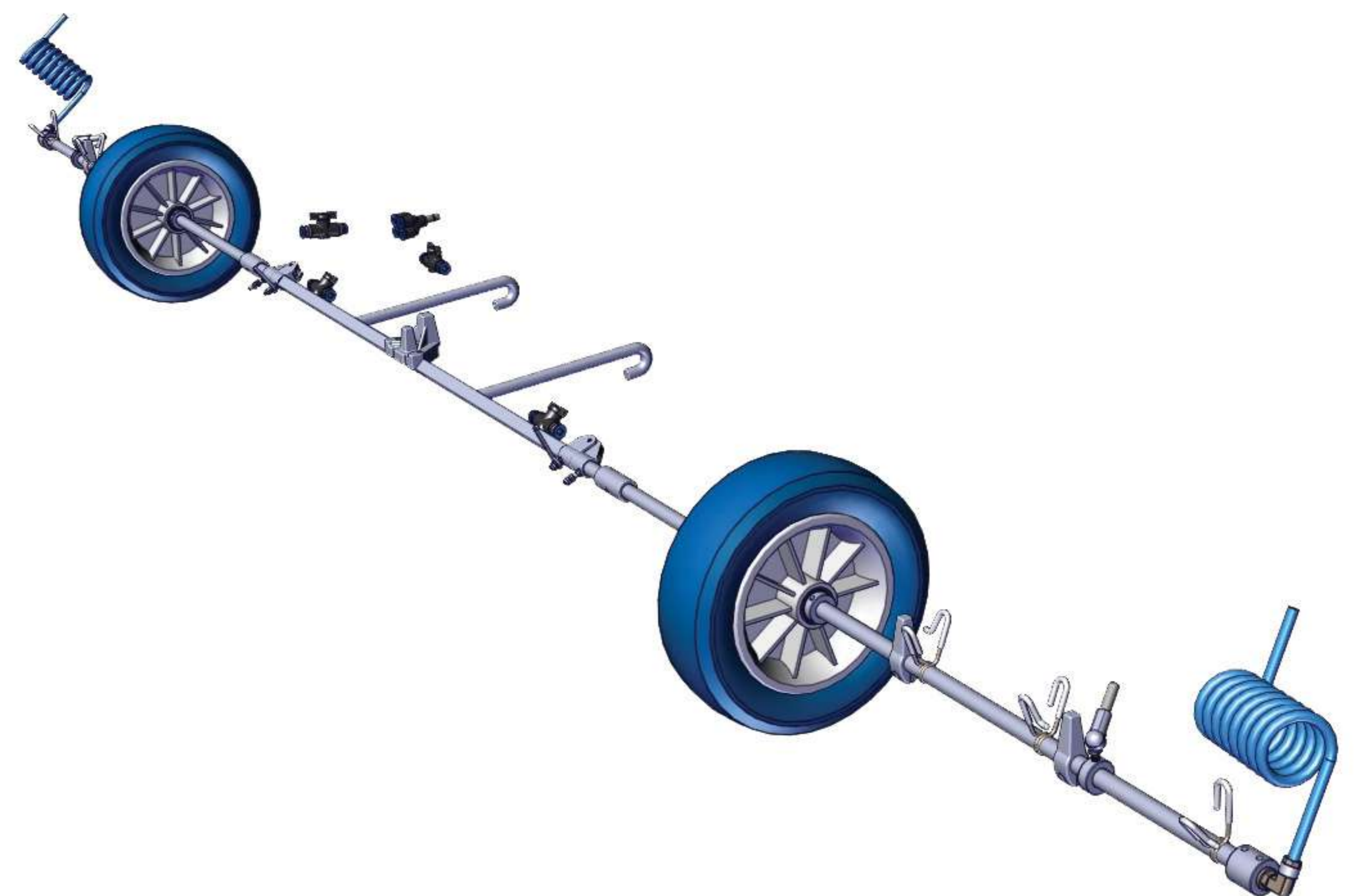
2 x Fleet wheeled knibs



1 x Folding fibre glass support pole



1 x Athletic Boom assembly (in 3 sections)



## PREPARATION OF KOMBI & BOOM

Ensure the battery is fully charged

Disconnect the paint delivery hose from the quick connector at the front of the machine.

Lift the wheeled knib assembly from the tapered post.

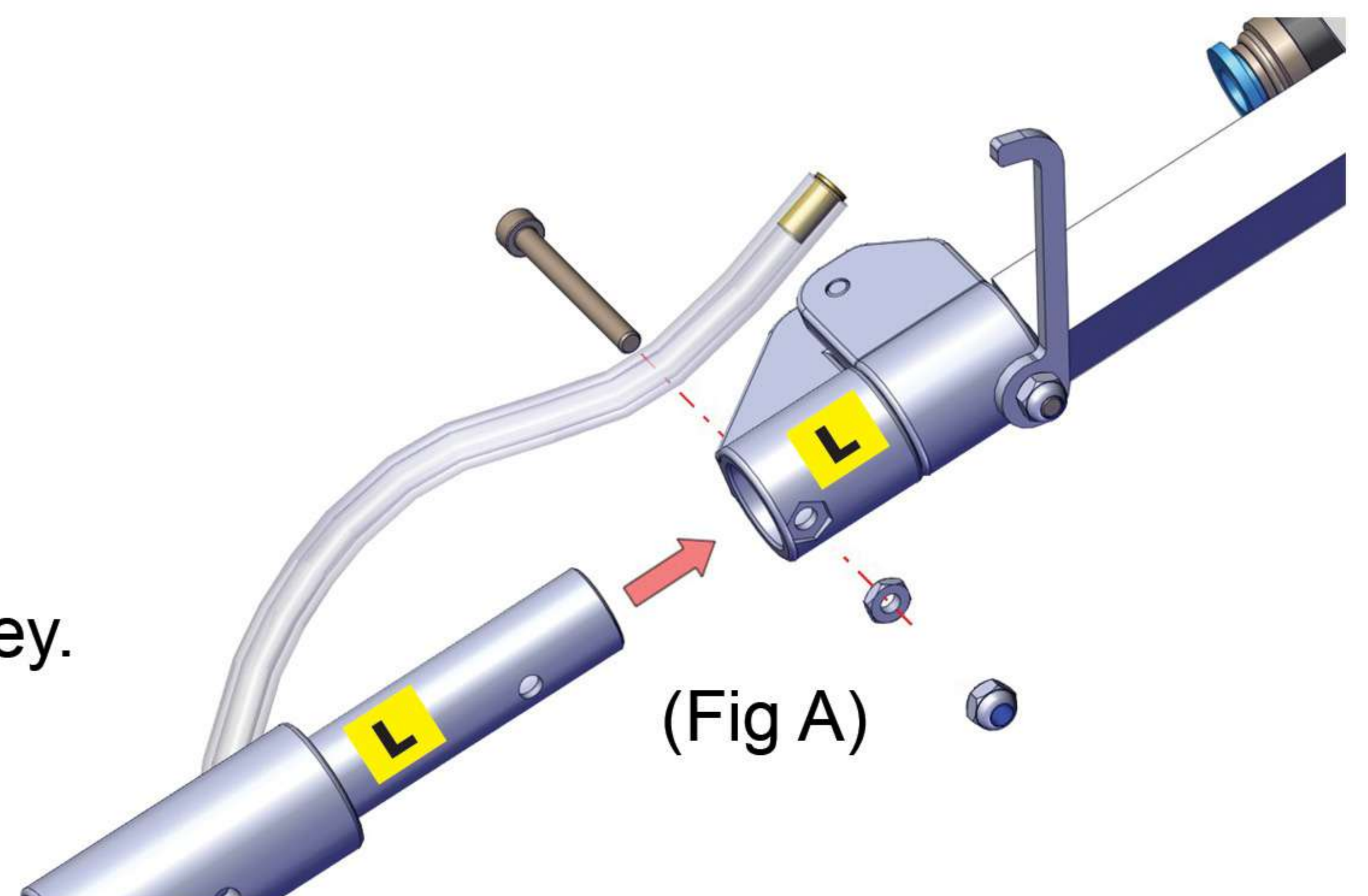
Slacken the tapered post clamp screw. Slide the tapered post forward so that it is flush with the end of the chassis member. 'Nip up' the clamp screw but do not fully tighten.

Hold left extension arm support and insert into hinge on the center axle hook assembly. Indicated by yellow L stickers (Fig A)

Align eye holes and insert HT bolt ensuring it passes through both tubes.

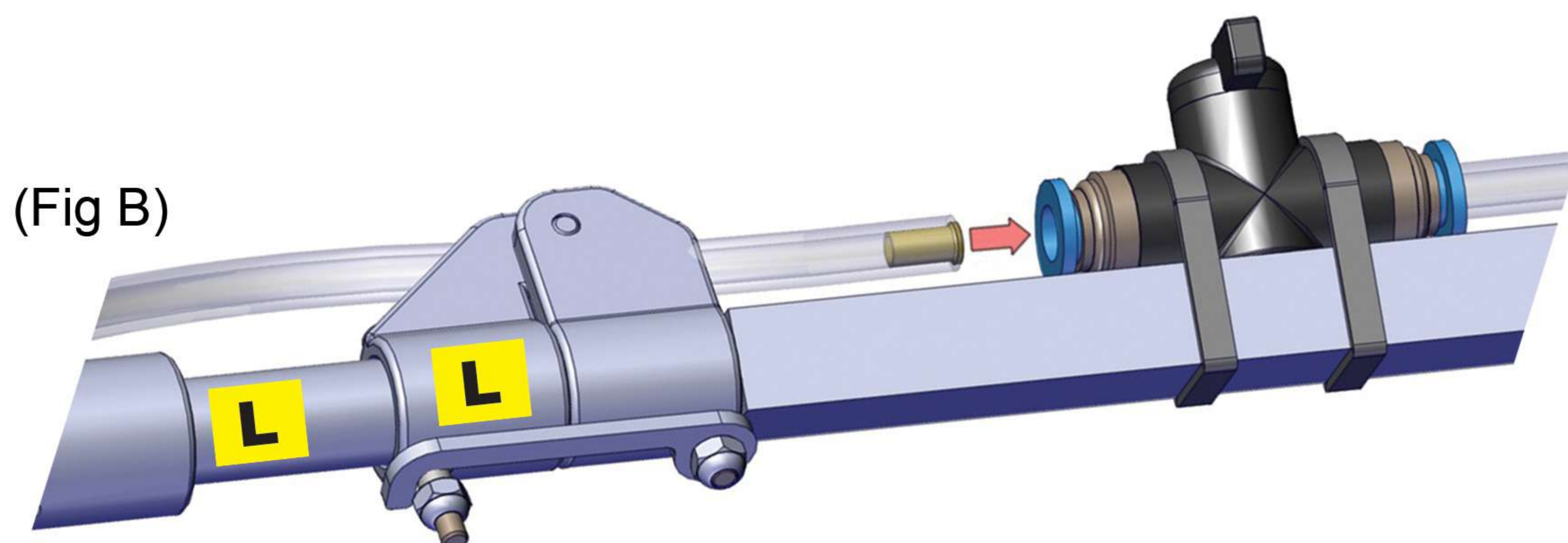
Tighten using the M4 A2 Nut and 3mm allen key.

Place the M4 Nyloc Nut on to the end but do not tighten.



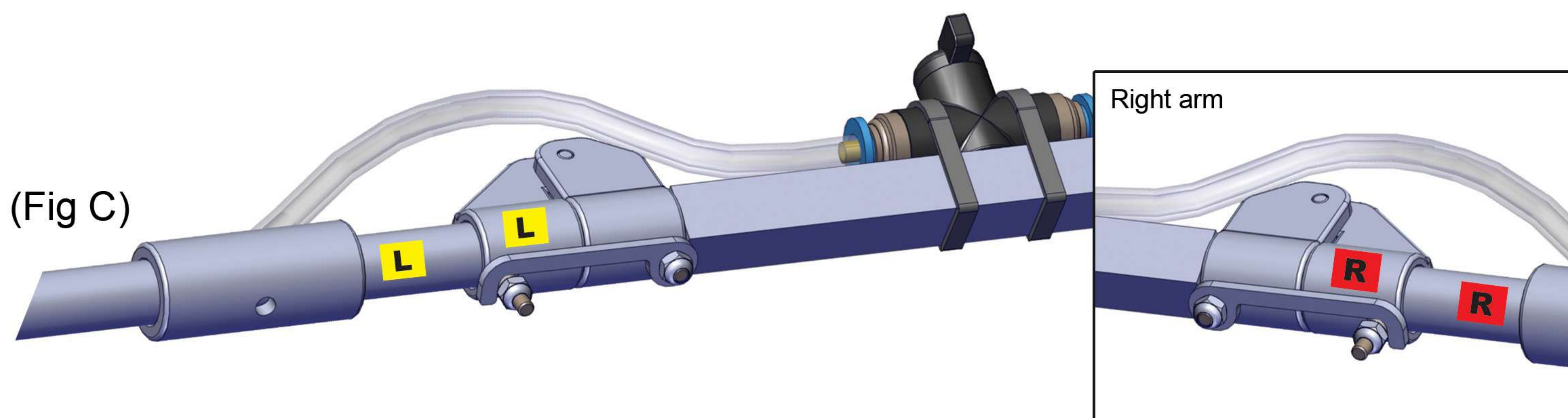
Fasten the hinges together with the hook and tighten the M4 Nyloc. This should touch the hook but allow the hook to move from the latched position without binding. (Fig B)

The clear paint hose can be pushed in to the tap fitting (Fig B)

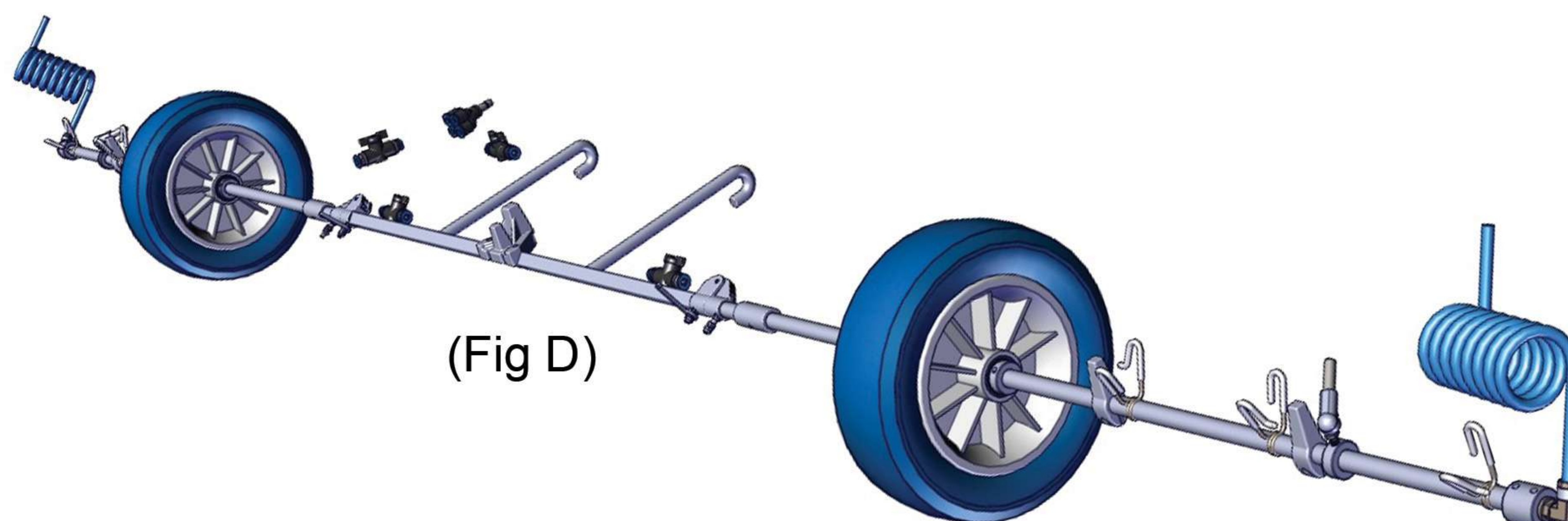


Once clear tube has been connected the arm extension is now ready to use and should resemble the image below (Fig C)

Repeat for the right arm extension, indicated by red R stickers.

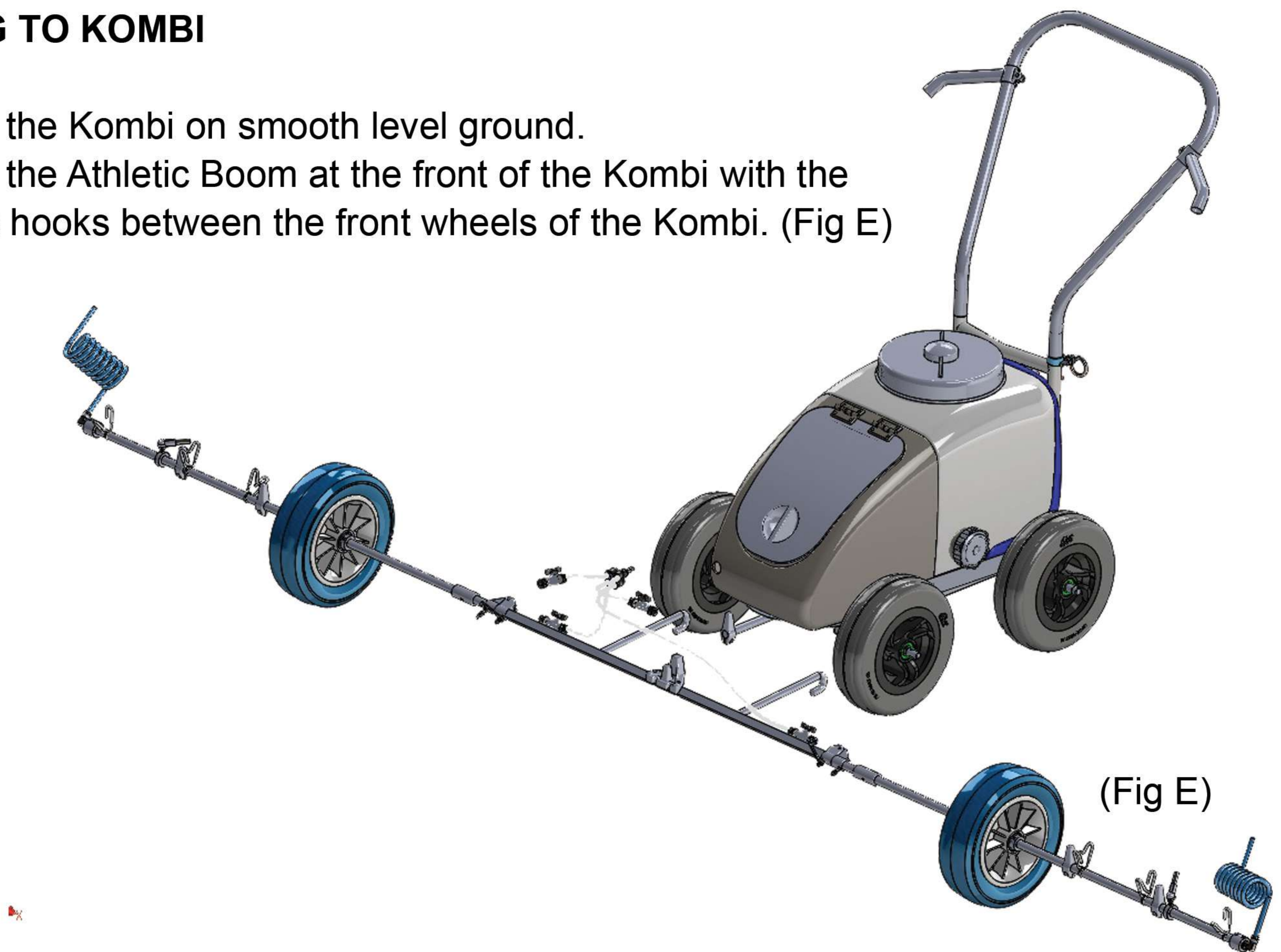


With both side extensions fitted the boom should resemble the image below (Fig D) you are now ready to attach the boom to the Kombi line marker.

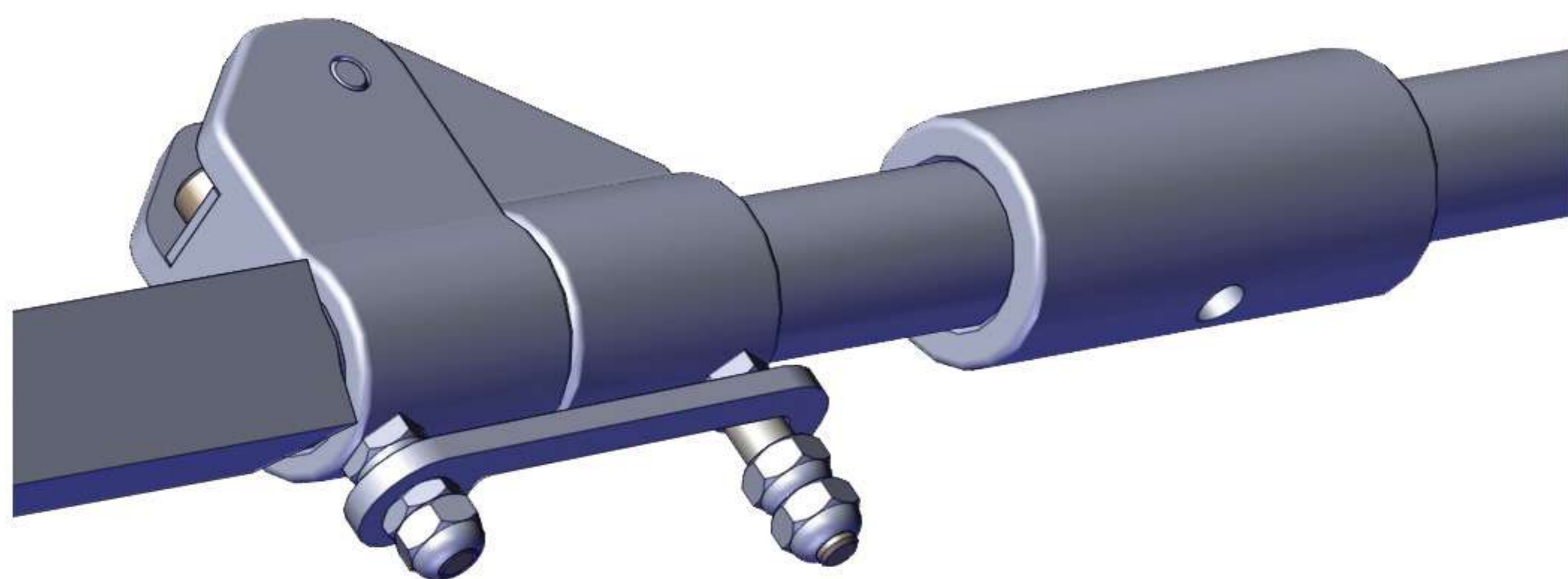


## FITTING TO KOMBI

Position the Kombi on smooth level ground.  
Position the Athletic Boom at the front of the Kombi with the two axle hooks between the front wheels of the Kombi. (Fig E)

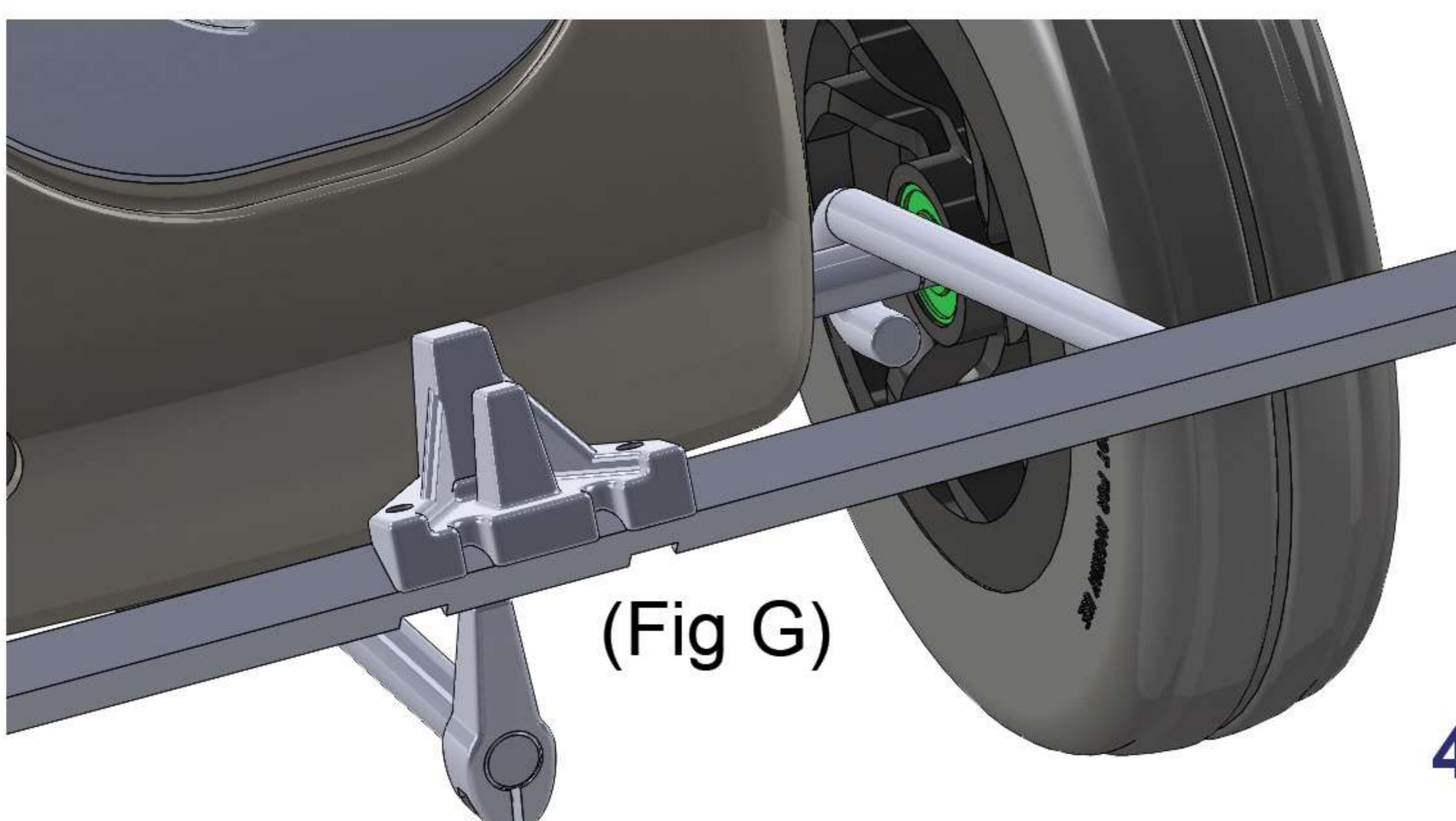


Open the two extension arms and engage the hinge hooks. (Fig F)



(Fig F)

Lift Athletic Boom & engage the two axle hooks on top and behind the front axle. Lower assembly onto the tapered post. (Fig G)

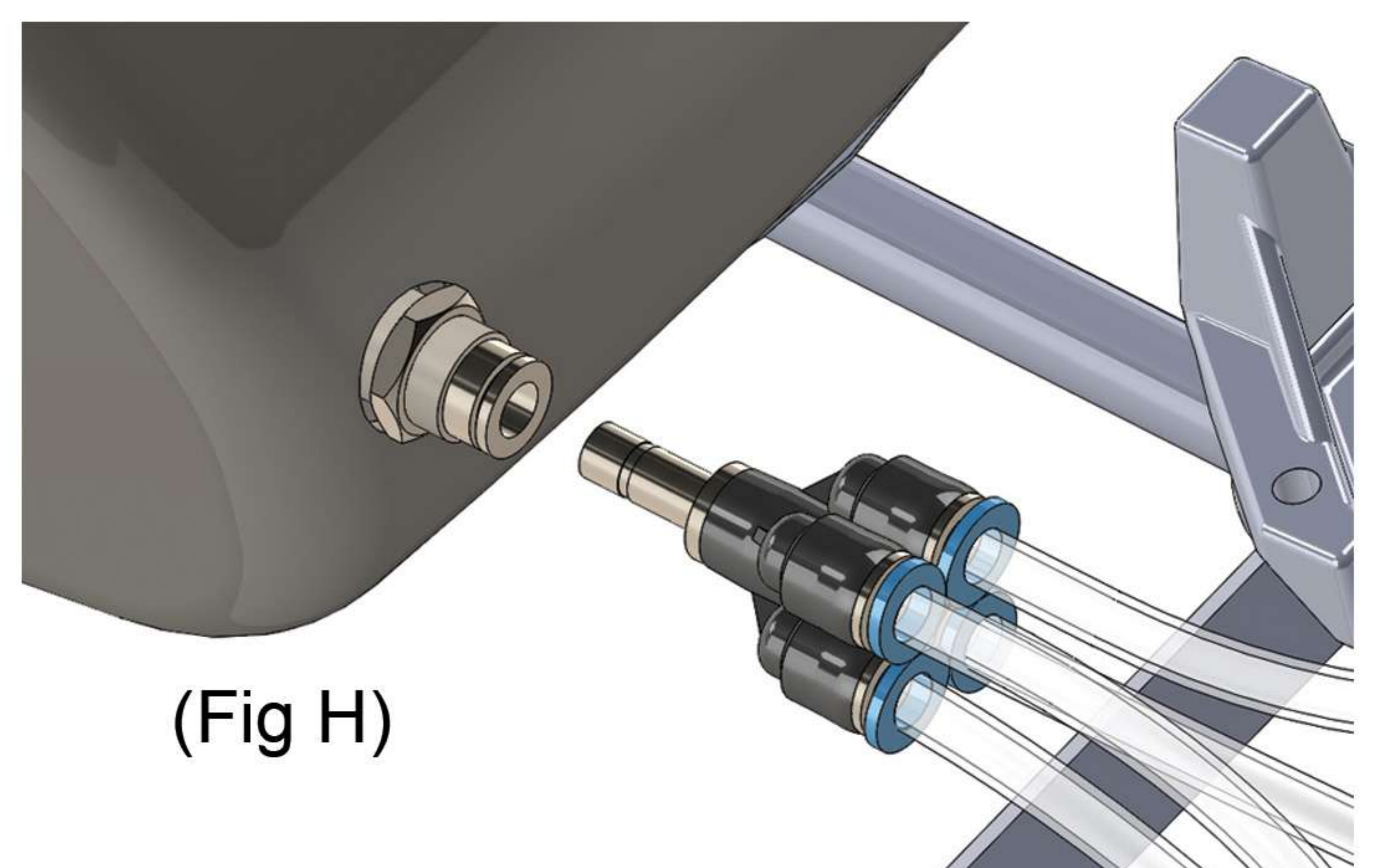


(Fig G)

Ensure the Athletic Boom is level with both extension arm support wheels touching the ground surface.

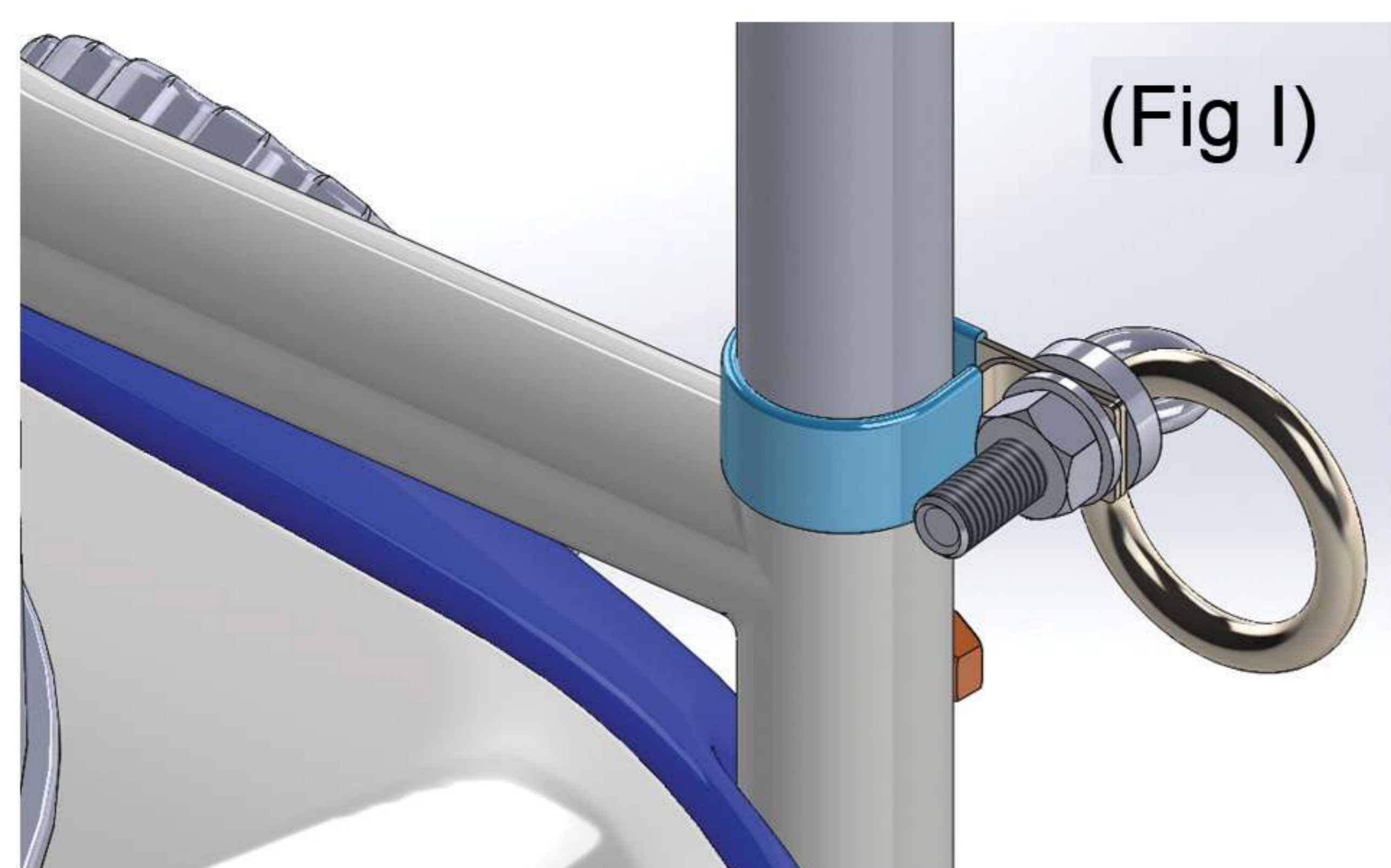
Tighten the clamp screw on the central tapered post.

Connect the multi port hose connector to the paint delivery connector at the front of the Kombi. (Fig H)

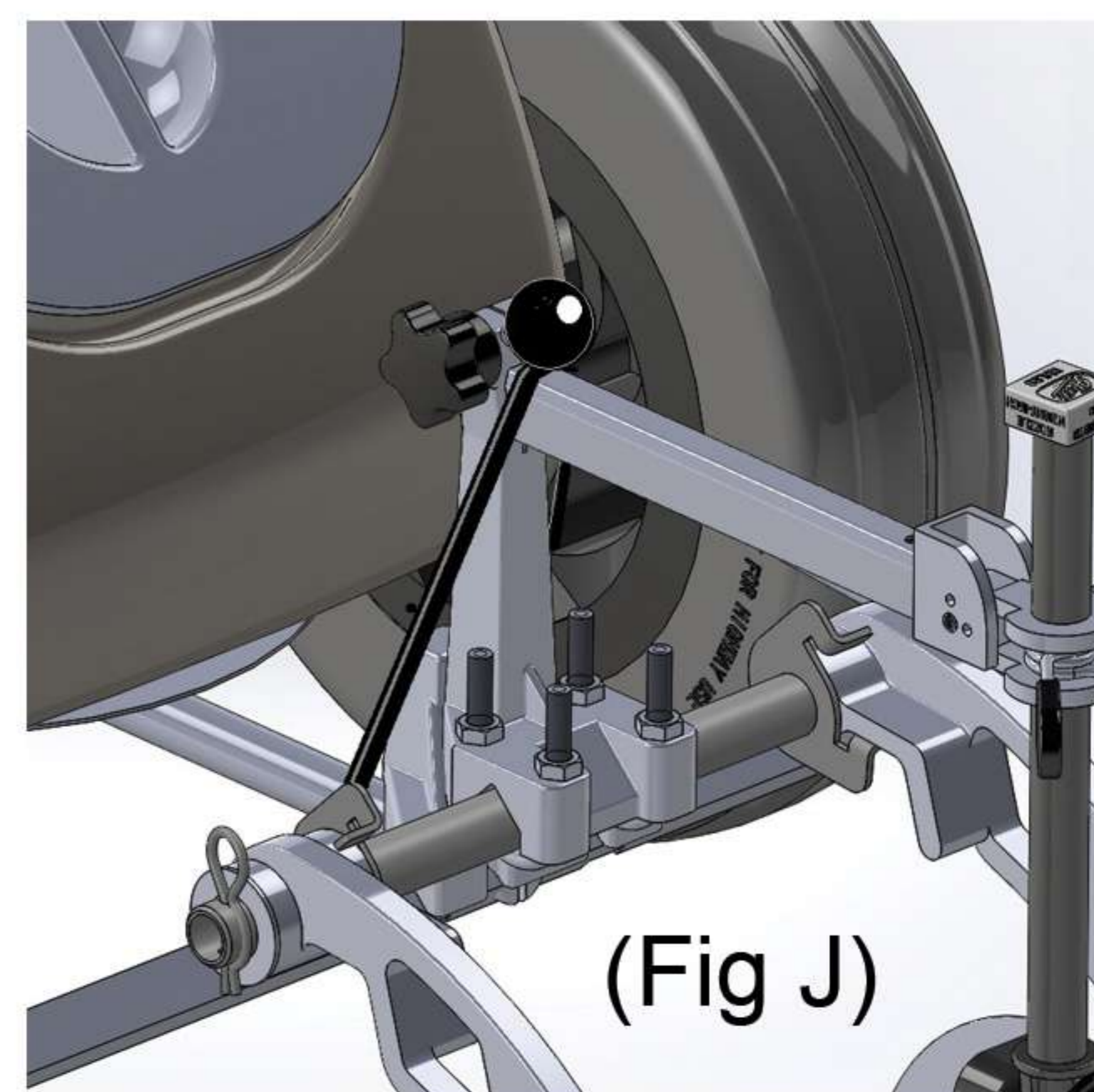


(Fig H)

Fit the two boom support assemblies to the Kombi handle bars as shown (Fig I)



Fit the bungee loop over the chassis front projection. (Fig J)



### Fibre glass support pole

The fibre glass support pole is fitted to the assembly when at the site where lines are to be marked.

## PREPARATION FOR MARKING

Ensure all the four taps are in the closed position (at right angles to the hose)

Set the tapered posts on the outriggers to the desired width. The international standard lane width for an athletics running track is 1.22 metres.

Fit the central wheeled knib assembly onto the integral tapered post on the central support casting. Stretch the bungee cord over the post. Connect the paint supply tube.

Fit a wheeled knib assembly onto a tapered post on each of the extension arms. Secure the wheeled knib assemblies to the arm with use of the spring collar. Routing the blue coiled hose around the post on the wheeled knib assembly, connect it to the nozzle assembly.

Set the line width for each wheeled knib assembly by adjusting the guide disks and nozzle height. Refer to the Kombi handbook for instructions.

From under the bonnet of the Kombi, turn the paint/water valve to 'Water' on the Athletic Boom open the tap for each wheeled knib assembly. Ensure that the forth tap on the multi port connector is in the closed position.

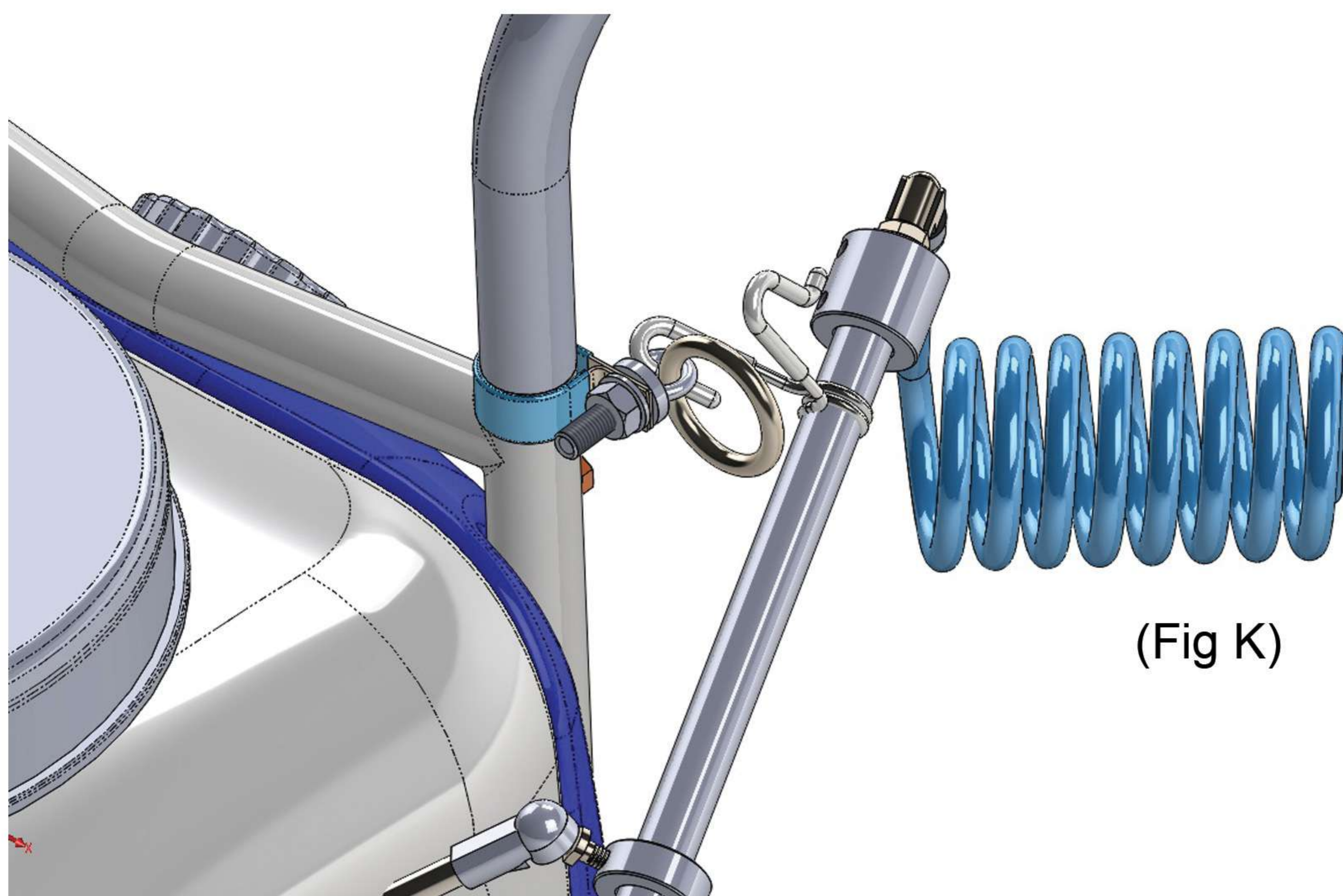
Turn on the pump. Observe that an even spray pattern is present at each nozzle.

When satisfied with the spray pattern and that air has been flushed from the hoses, turn the pump off.

**CAUTION; Damage to boom hinges.**

**Do not push or transport the Kombi / Athletic Boom assembly without supporting the extension arms in the docking rings.**

If the kombi and athletic boom assembly needs to be moved to the marking site, release the hinge hooks and hinge the arm extensions back. Locate the hook on the spring collar into the eye of the docking assembly on the handle frame. (Fig K)

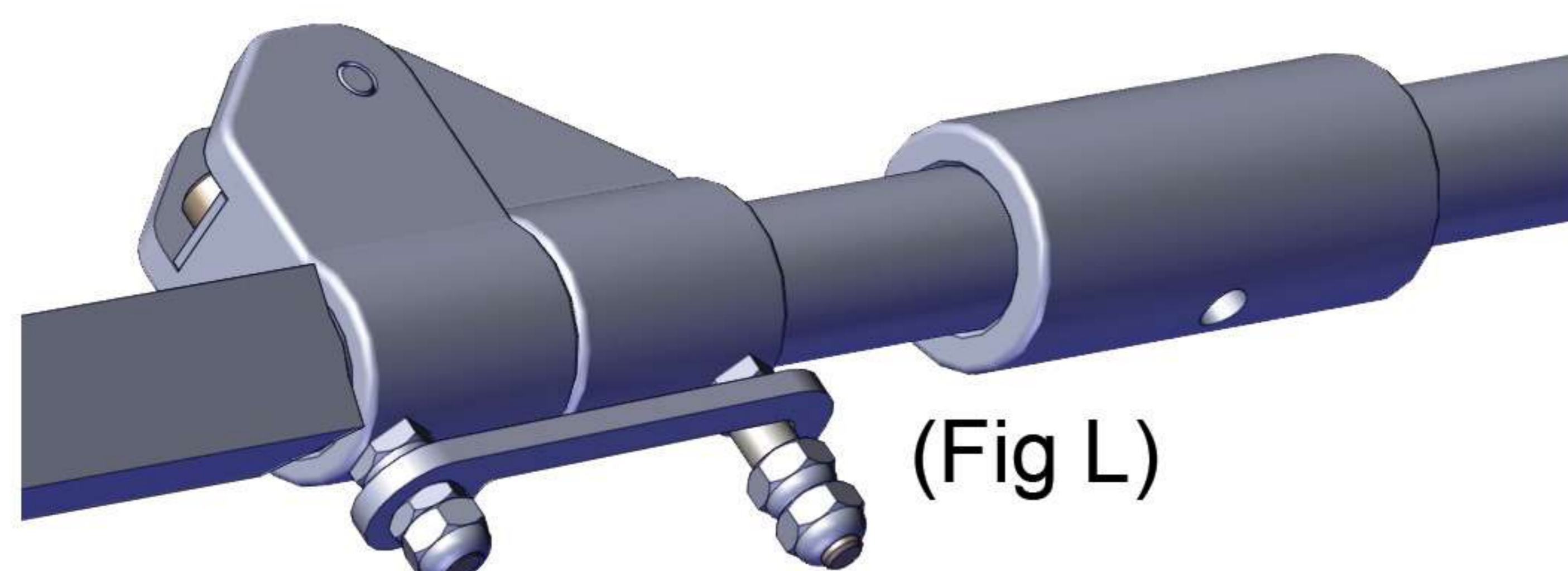


(Fig K)

## SETTING UP FOR MARKING

When at the marking site deploy the Athletic Boom as follows:

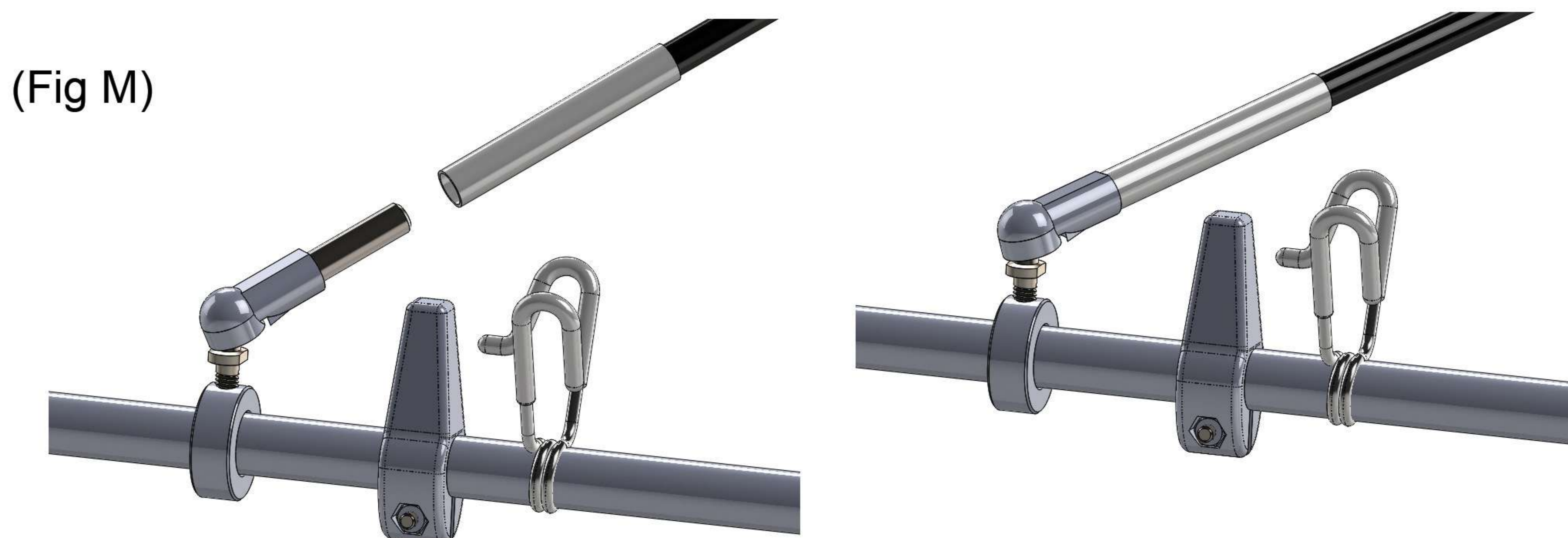
Whilst giving support, unhook and hinge the arm extensions. Engage the hinge locks. (Fig L)



Assemble the fibre glass support pole and feed it through the two snap rings.

Fit one of the end ferrules of the pole onto the ball joint on the out rigger.

Taking care not to over bend the fibre support pole, carefully fit the other end ferrule of the pole onto the other ball joint on the arm extension. (Fig M)



Centralise the fibre glass support pole between the snap rings.

Manoeuvre the kombi/ Athletic Boom assembly

Manoeuvring the kombi/ Athletic Boom assembly to align with the starting point of the track to be marked is achieved by pivoting the kombi on the back wheels, lifting the Athletic Boom wheeled nibs off the ground. Do not drag the wheeled nibs across the ground surface or damage to the equipment may result.

When ready to start marking switch on the pump, allow any residual water in the pipework to clear. When paint is flowing in the correct spray pattern, follow the guide mark by pushing the kombi steadily.



## CLEANING

When marking is complete it is of great importance to clean the athletic boom thoroughly. Move the Kombi/Athletic Boom assembly to an area where paint will not cause any unwanted contamination with paint.

Ensure the water tank is full of clean water.

Under the bonnet select 'WATER' with the three way valve.

Turn the pump on and allow the water to flush the nozzles.

To ensure thorough cleaning of each nozzle use the stop taps to divert the entire water flow to each individual nozzle in turn.

Finally open all the stop taps and flush any remaining paint from the pipework. Turn the pump off.

Clean the exterior parts of the Athletic Boom with clean water.

Clean the wheeled nib assemblies to prevent the build up of paint on the guide disks.

## PACKING AWAY

If the Athletic Boom is to remain attached to the Kombi for future lane marking, pack the Athletic Boom as follows:

After cleaning the equipment, turn each stop tap on the Athletic Boom to the closed position (lever at right angle to the flow)

Taking care not to over bend the fibre support pole, carefully remove an end ferrule of the fibre glass support pole from the ball joint on the arm extension.

Remove the end ferrule of the pole from the ball joint on the other arm extension. Feed the fibre glass support pole through the two snap rings and collapse the pole by pulling each section out from the next.

Disengage the hinge locks and while giving support, hinge the arm extensions back. Locate the hooks on the spring clips in the eyes of the support assemblies on the handle bar frame. (FIG J)



(FIG N)

## REMOVING THE ATHLETIC BOOM ASSEMBLY FROM THE KOMBI

If the Kombi is to revert back to the single line marking mode, remove the Athletic Boom as follows:

Position the Kombi on smooth level ground.

Disconnect the multi port hose connector from the paint delivery connector at the front of the Kombi.

Disconnect the coiled hoses from the two wheeled nib assemblies on the arm extensions.

Disengage the spring clips that secure the wheeled nibs to the arm extensions. Lift the wheeled nibs off the tapered posts.

Unhook the bungee loop from the central wheeled nib. Lift the wheeled nib off the tapered post on the central casting. Fit this wheeled nib on the tapered horn on the Kombi bonnet.

Lift the Athletic Boom assembly off the tapered post and disengage the two axle hooks from behind the front axle.

Fold the two arm extensions up to form an 'A' frame. Interlock two spring clips together to make it more convenient to carry.

Carefully store the Athletic Boom, wheeled nibs and fibre glass support pole.