

## MODEL 60-PA-CT

### *Wood fire countertop brick oven*

The 60-PA-CT is Earthstone's countertop wood fire oven. It offers a 23" interior cooking diameter and 15-1/4" wide by 7-1/2" high oven entrance. Internal dome and walls are a cast 2-1/4" thick high temperature refractory material. This maximizes heat storage retention which is a necessity for proper bread baking and roasting. This is the oven for all your baking, grilling and roasting needs. Also use the oven to double as a fireplace.

Features include:

- 2-1/4" thick commercial grade refractory cast body.
- 1-1/2" thick stone hearth tiles atop 3" thick sub floor.
- 30-45 min heat up time.
- Decorative stainless steel arch facade.
- Fully insulated with a hardened insulation mixture.
- Factory cured and ready to use.
- Small footprint for easy installation in tight spaces.
- 4 Stainless steel support legs with anchor holes.

A thick cast refractory body and an outer insulation shell maximizes heat storage retention. A necessity for bread baking and roasting which require longer periods of time in the oven.

The baking stone hearth tiles, which are used in industrial bread baking ovens all across Europe, pressed at 8,500 p.s.i. and kiln fired at 2,800 degrees which ceramitizes the material to create a hard and extremely durable tile.

Both the body pieces and floor tiles are cast and assembled individually which allows for continuous joints throughout the entire oven. This greatly reduces the possibility of stress cracks due to normal heat expansion and contraction.

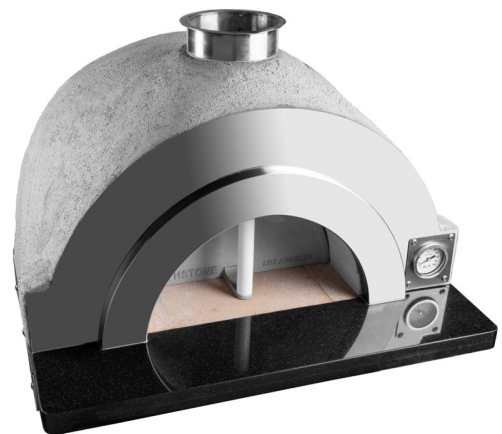
Exterior dimensions – 31" w X 31-1/2"d X 28-1/2"h  
Internal cooking space – 23" diameter  
Oven entrance opening: 15-1/4" – 7-1/2"  
Weight: 600 lbs

#### **Food Capacities:**

8" Pizzas: 2 / 12" Pizzas: 1 / 14" Pizzas: 1  
3 - 4 Steaks on 8-1/2" x 20" supplied grilling rack  
Oven can accommodate most high heat cookware for baking and roasting. See [earthstoneovens.com](http://earthstoneovens.com) for more information.

#### **Ovens come standard with:**

- Factory finished ready for color coat or tile
- Cast aluminum door with Teflon handles
- Dial thermometer (0 to 1000F range)
- Black granite mantle
- Stainless steel pizza peel and grilling rack
- 5 year limited warranty on refractory



*Custom options and finishes available*



6717 San Fernando Rd. Glendale CA 91201  
Tel: 800-840-4915 - 818-553-1134 Fax: 818-553-1133  
[www.earthstoneovens.com](http://www.earthstoneovens.com) - [info@earthstoneovens.com](mailto:info@earthstoneovens.com)

*Specifications to change without notice. revised November 2020*



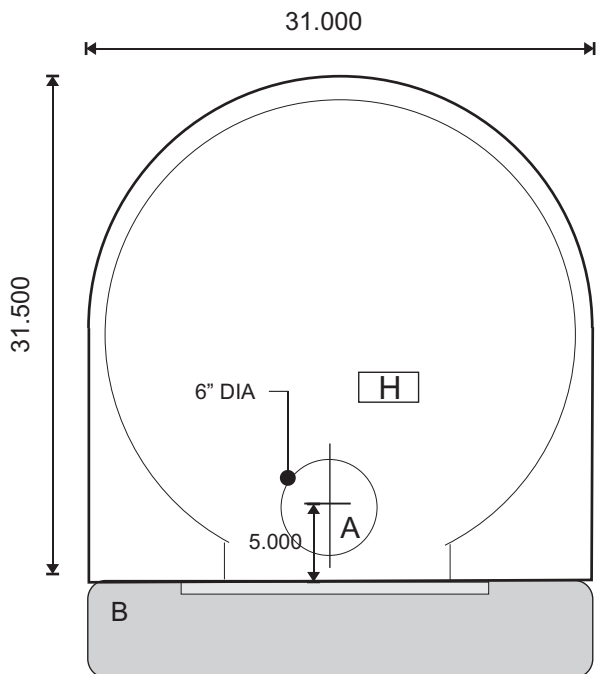
**MODEL 60-PA-CT**

**JOB:**

**ITEM:**

**FUEL:** Wood Fire

PLAN



**Fuel Options**

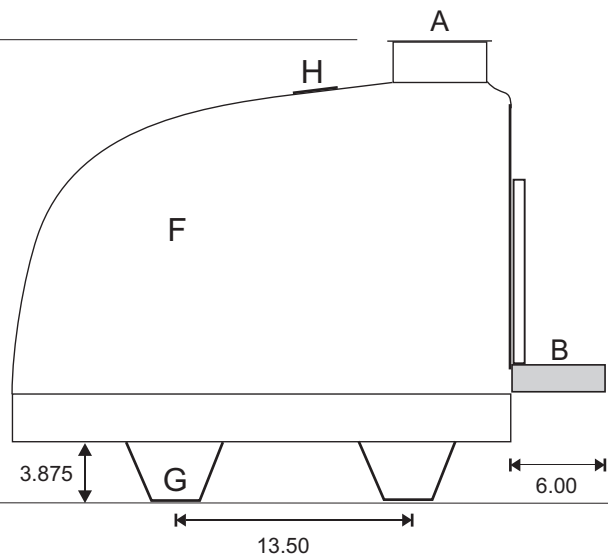
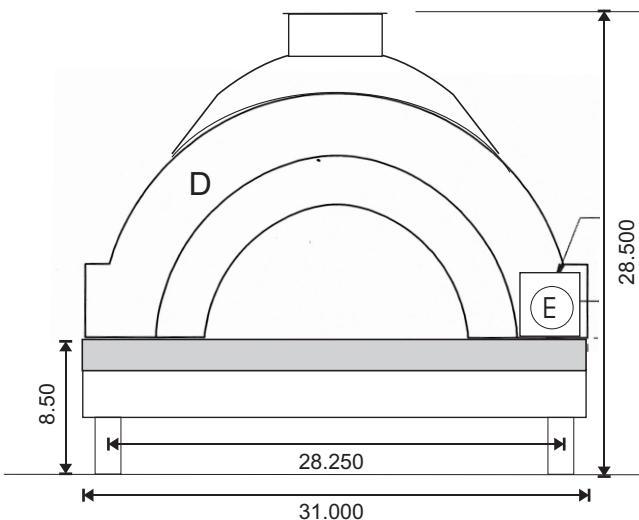
60-PA-CT Wood Fire (No Utilities Required)

Weight - 600 lbs.

- A - Flue collar (6" Dia.)
- B - Black granite mantle (31" x 6"x 1.50")
- C - Oven entrance (15.25" X 7.50")
- D - Decorative arch (Stainless)
- E - Dial thermometer (2.75" dia)
- F - Ready for color coat or tile (Elastomeric finish recommended)
- G - Stainless supports with 3/8" anchor holes (4)
- H - Cover plate for probe access (2.25" x 4.25")

FRONT ELEVATION

SECTION



Revised January 2020

**Earthstone Ovens, Inc.**  
 6717 San Fernando Rd  
 Glendale CA 91201 USA

Toll Free (800) 840-4915  
 Tel (818) 553-1134  
 Fax (818) 553-1133

info@earthstoneovens.com  
 www.earthstoneovens.com