

## TMX5 Warranty Claim or Repair Form

**Date:** \_\_\_\_\_

**Customer Name:** \_\_\_\_\_

**Phone:** \_\_\_\_\_

**Email:** \_\_\_\_\_

**Address:** \_\_\_\_\_

**Reel Batch Number:** \_\_\_\_\_ **Reel Colour:** \_\_\_\_\_

**Please describe the issues you are encountering:**

---

---

---

---

Please email us this form with:

- A.** Photo clearly showing any pertinent damage or wear
- B.** Photo of your original sales receipt.

If you are required to send the product to us, please include a printed copy of this form.

Warranty Shipping address:  
Amundson Outdoor Products Ltd.

188-1538 Cliveden Ave, Delta,

BC Canada V3M 6J8

Tel: 604-525-6860

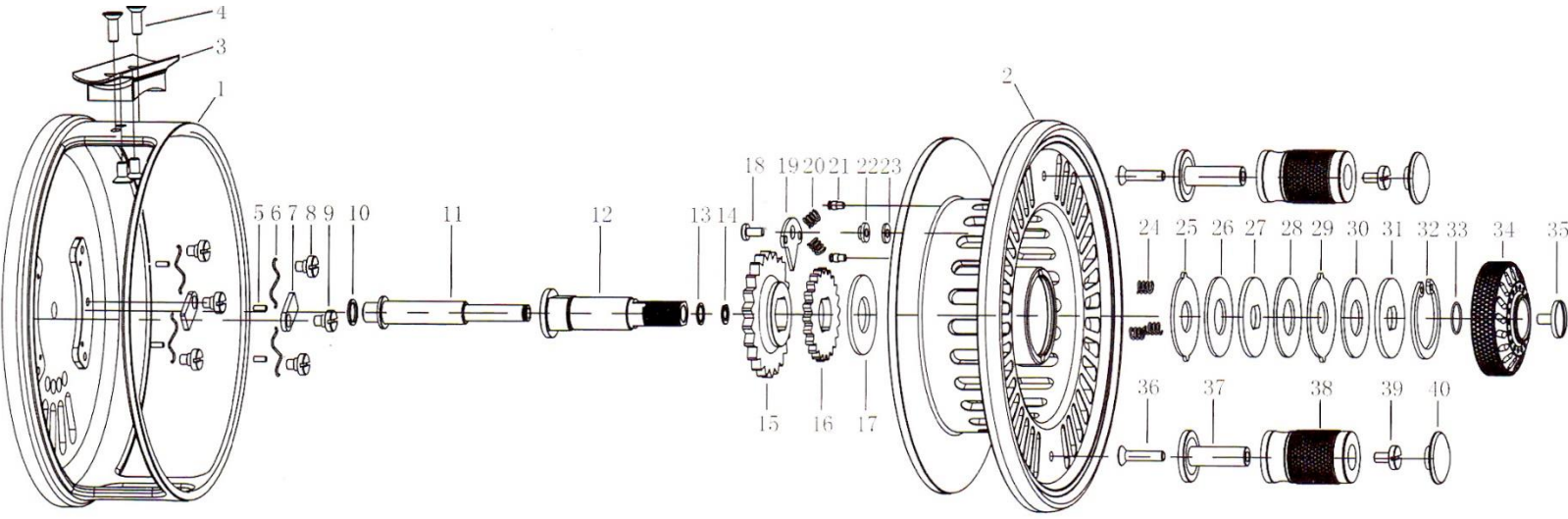
e-mail: [info@amundson.ca](mailto:info@amundson.ca)

1. Frame
2. Spool
3. Reel foot
4. Reel Foot Screw
5. Pin
6. Steel Spring
7. Clicker
8. Screw
9. Screw
10. Washer

11. Main Shaft
12. Brass Cone
13. Washer
14. Clip
15. Gear
16. Gear
17. Washer
18. Screw
19. Clicker
20. Spring

21. Pin
22. Clicker Support
23. Washer
24. Spring
25. Brake Washer
26. Brake Washer
27. Brake Washer
28. Brake Washer
29. Brake Washer
30. Brake Washer

31. Brake Washer
32. Clip
33. O-ring
34. Drag knob
35. Screw
36. Screw
37. Handle rivet
38. Handle
39. Screw
40. Handle Cover



**Please label any missing or broken parts that you can identify**

---



---



---



---



---



---