

# **HUSQVARNA - SPARE PARTS CATALOGUE**

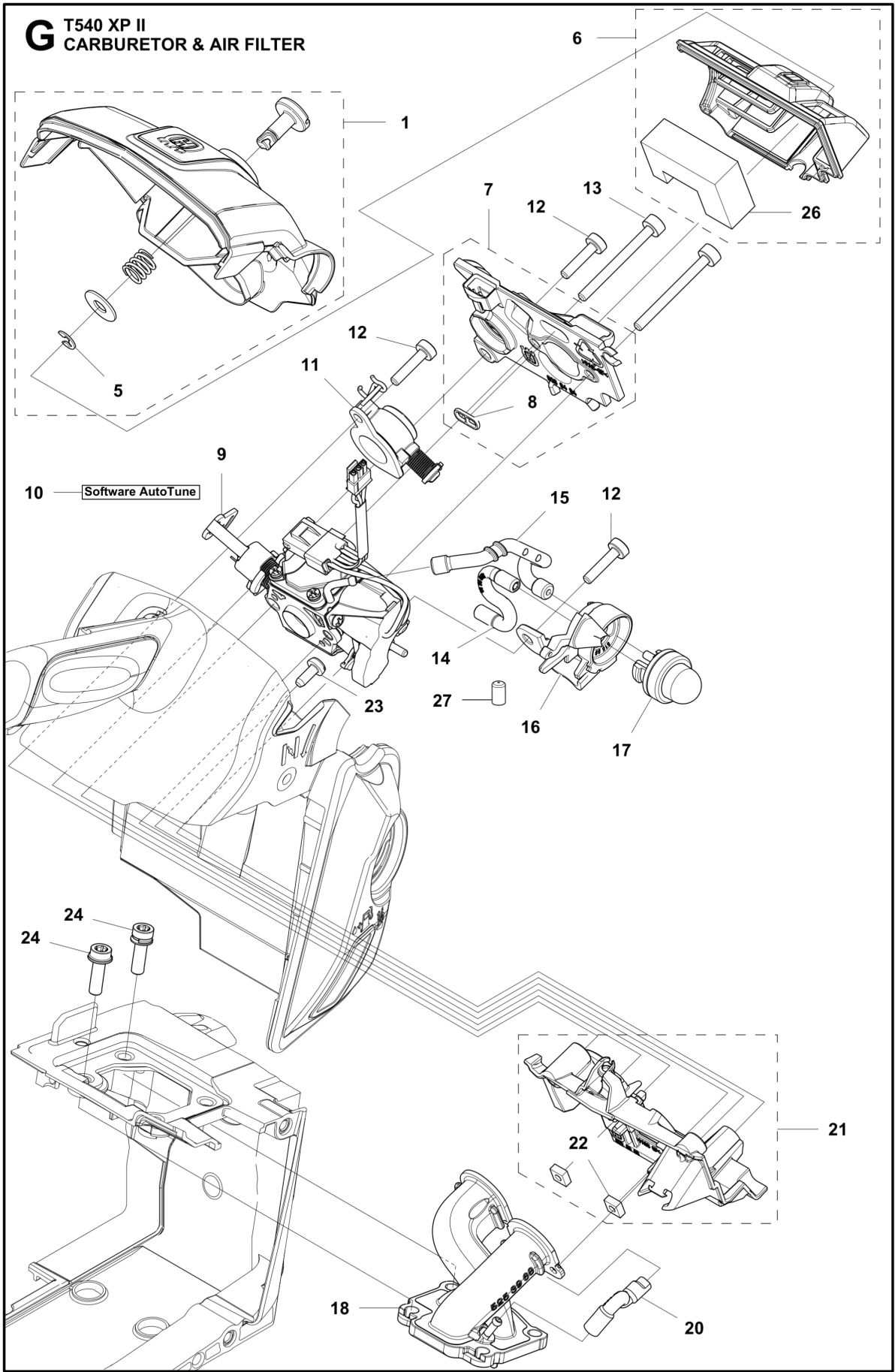
**: HUSQVARNA T540 XP® II**

Spare parts list

---

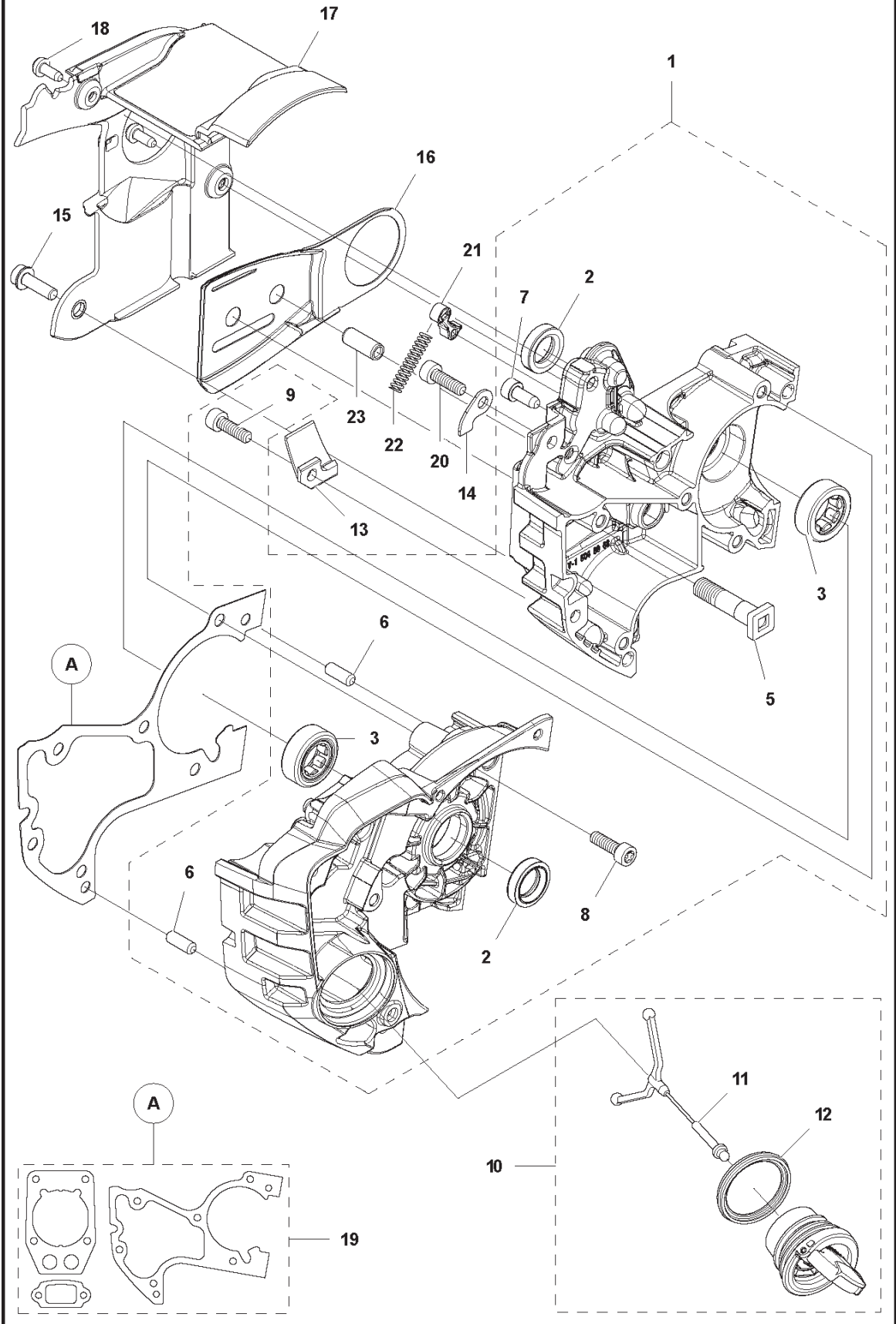
# **SPARE PARTS LIST**

**G** T540 XP II  
CARBURETOR & AIR FILTER



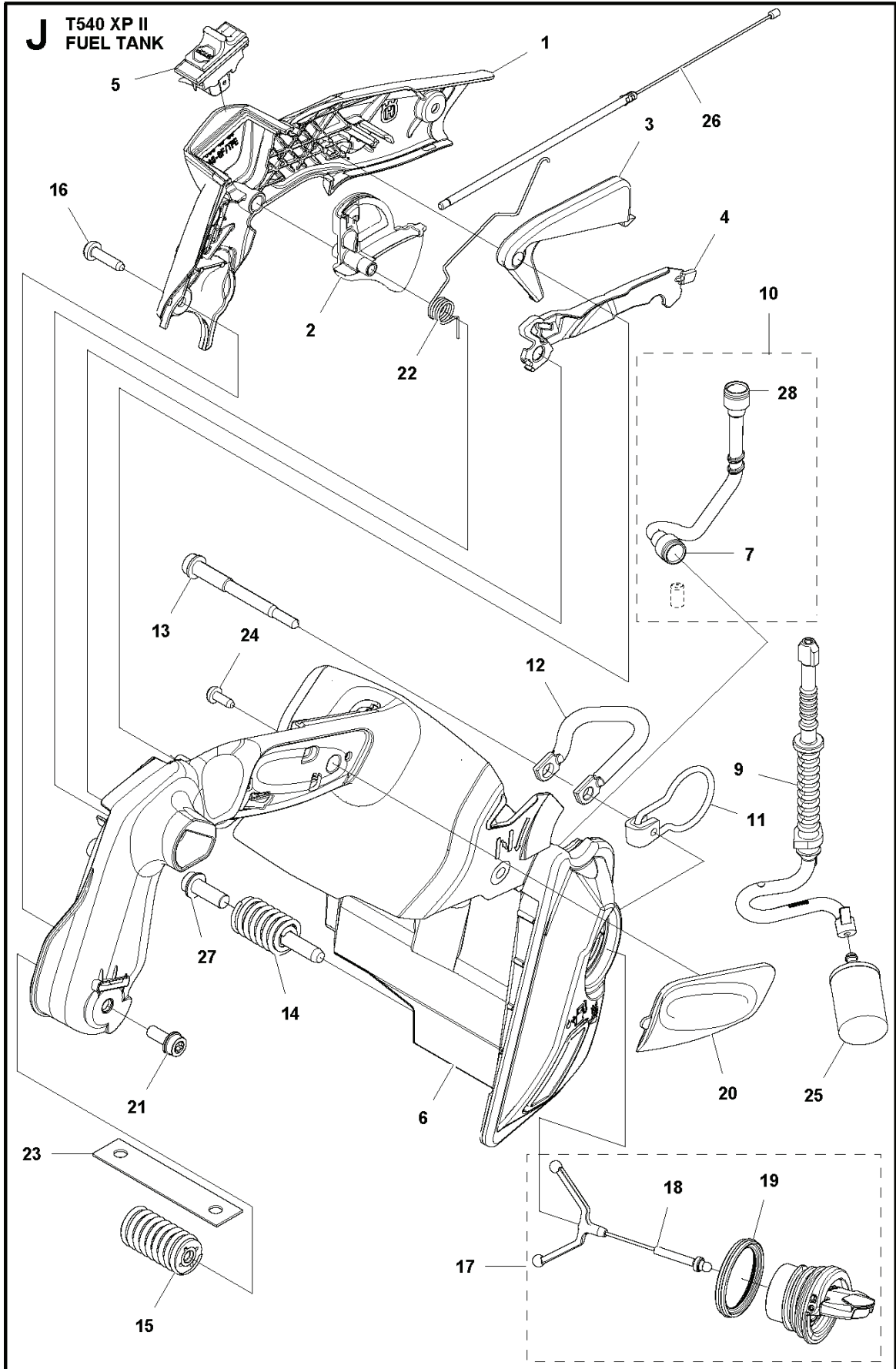
PXM_REF	PXM_PARTNO	DESCRIPTION	PXM_REMARK	QTY.
1	576353601	FILTER COVER ASSY		1
3	575487601	SPRING		1
4	576049801	WASHER		1
5	735310820	E-CLIP		1
6	586092401	AIR FILTER ASSY	Non-woven	1
6	574453104	AIR FILTER ASSY	80my	1
6	574453103	AIR FILTER ASSY	52my	1
7	506948402	FILTER HOLDER ASSY		1
8	525619201	SEALING		1
9	586341402	CARBURETTOR	Walbro AT-14	1
10	900000002	DUMMY PART	Download from your local support site	0
11	574437601	THROTTLE ASSY		1
12	525824801	SCREW ITXSCT		3
13	574353502	SCREW ITXSCM		2
14	523056801	FUEL HOSE		1
15	516003301	SUCTION HOSE		1
16	574366401	CHOKE CONTROL ASSY		1
17	503936601	PURGE		1
18	525396802	INLET PIPE ASSY		1
20	577406401	HOSE		1
21	522890301	CARBURETTOR BRACKET		1
22	574620401	NUT SQUARE		2
23	526222001	SCREW CITXPANT		1
24	577401202	SCREW ITXSCM		4
26	574444502	FOAMING FILTER		1
27	537051801	PLUG		1

# H T540 XP II CRANKCASE



PXM_REF	PXM_PARTNO	DESCRIPTION	PXM_REMARK	QTY.
1	574618002	CRANKCASE ASSY		1
2	588139701	RADIAL SEAL		2
3	505394701	ROLLER BEARING		2
5	505217301	BAR BOLT		1
6	720130710	PARALLEL PIN		2
7	525764601	SCREW ITXSCT		1
8	525824901	SCREW ITXSCM		6
9	505574116	SCREW ITXSCM		1
10	577878603	TANK CAP ASSY		1
11	503578901	HOLDER		1
12	589241301	GASKET		1
13	505288501	CHAIN CATCHER		1
14	580250401	WASHER		1
15	525755101	SCREW ITXSCT		1
16	505521401	CHAIN GUIDE PLATE		1
17	516034501	COVER		1
18	526222001	SCREW CITXPANT		2
19	576666101	GASKET KIT	A=Set of gaskets	1
20	505574116	SCREW ITXSCM		1
21	505201201	CATCH		1
22	503436501	POSITION SPRING		1
23	501623301	SPRING PIN		1

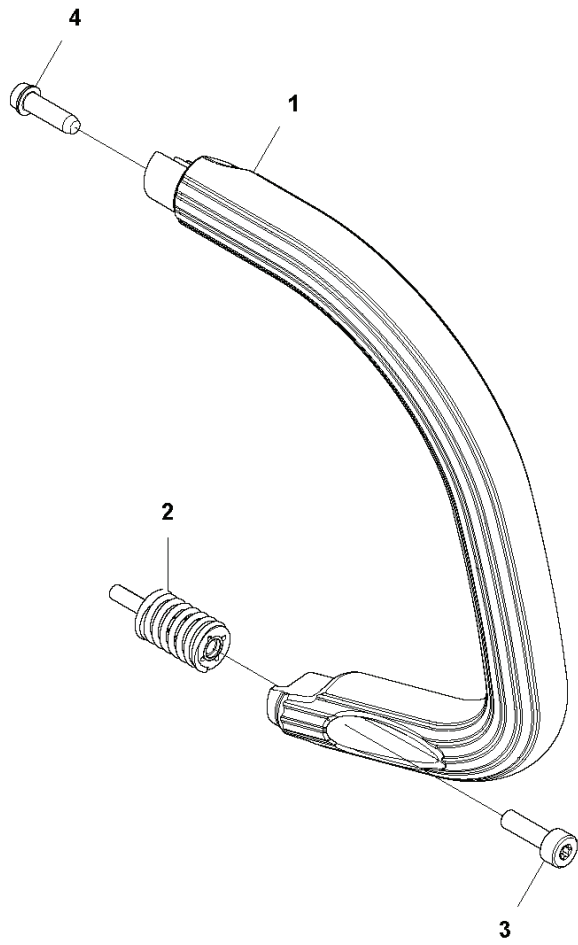
**J** T540 XP II  
FUEL TANK



PXM_REF	PXM_PARTNO	DESCRIPTION	PXM_REMARK	QTY.
1	506499801	LID	Medium	1
1	506499901	LID	Large	1
1	506519801	LID	X-Large	1
2	506495601	THROTTLE CONTROL		1
3	506495701	THROTTLE LOCKOUT		1
4	522620902	CABLE COVER		1
5	522798201	STOP SWITCH		1
6	522590205	FUEL TANK		1
7	501152902	TANK VENT ASSY		1
9	523055202	FUEL HOSE		1
10	590042601	TANK VENT ASSY		1
11	580860002	LOOP		1
12	576381301	LOOP		1
13	522847901	SCREW ITXSCFM		1
14	588692201	ANTIVIBRATION ELEMENT		1
15	510058401	ANTIVIBRATION ELEMENT		1
16	526222002	SCREW CITXPANT		4
17	577878603	TANK CAP ASSY		1
18	503578901	HOLDER		1
19	589241301	GASKET		1
20	506499701	HANDLE INSERT		1
21	525755105	SCREW ITXSCFM		1
22	506498901	SPRING		1
23	576949601	STRAP		1
24	525887402	SCREW CITXPANT		1
25	503443201	FUEL FILTER		1
26	506495801	THROTTLE CABLE ASSY		1
27	522751901	SCREW ITXSCFM		1
28	589860701	FUEL FILTER ASSY		1



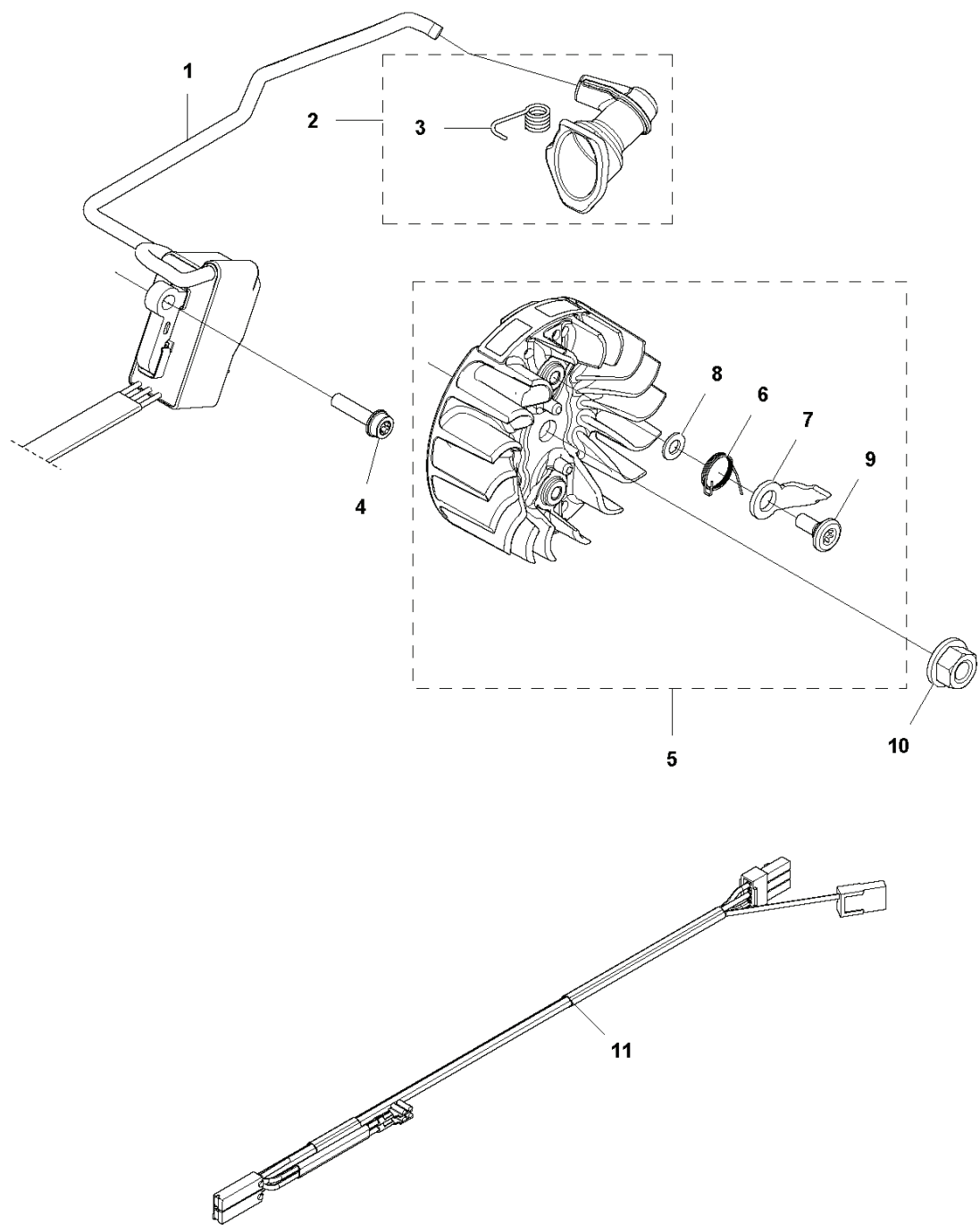
**K** T540 XP II  
HANDLE



---

PXM_REF	PXM_PARTNO	DESCRIPTION	PXM_REMARK	QTY.
1	506495203	FRONT HANDLE		1
2	510363401	ANTIVIBRATION ELEMENT		1
3	525762501	SCREW ITXSCM		1
4	525798102	SCREW ITXSCFT		1

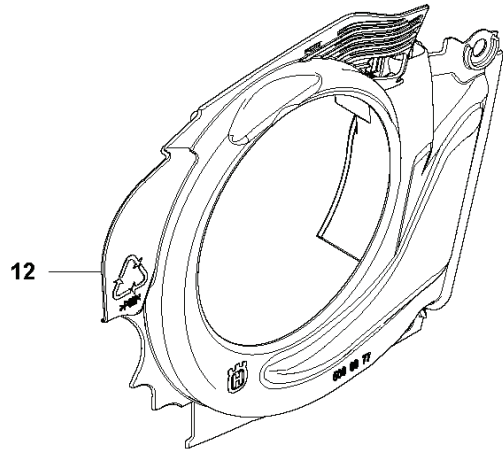
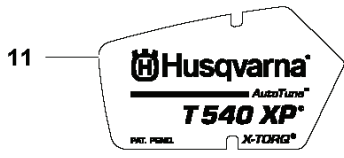
**M** T540 XP II  
IGNITION SYSTEM



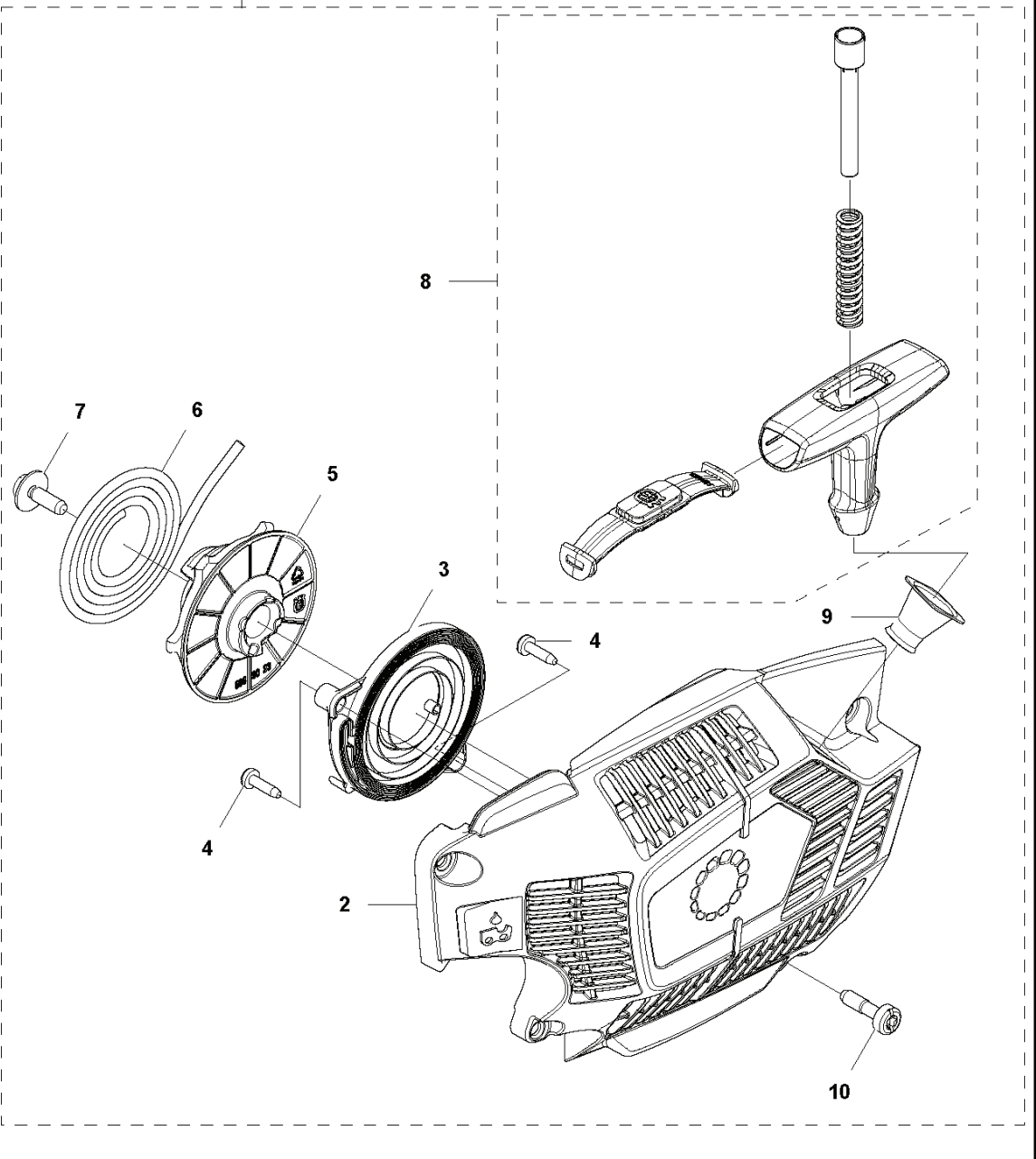
---

PXM_REF	PXM_PARTNO	DESCRIPTION	PXM_REMARK	QTY.
1	587306804	IGNITION MODULE		1
2	578111601	SPARK PLUG CAP		1
3	501485601	CONTACT SPRING		1
4	525755203	SCREW ITXSCFM		2
5	510169802	FLYWHEEL ASSY		1
6	529271101	SPRING		2
7	537245601	STARTER PAWL		2
8	503230042	WASHER		2
9	506006902	SCREW		2
10	503220401	NUT		1
11	587892101	WIRING		1

**N** T540 XP II  
STARTER



1

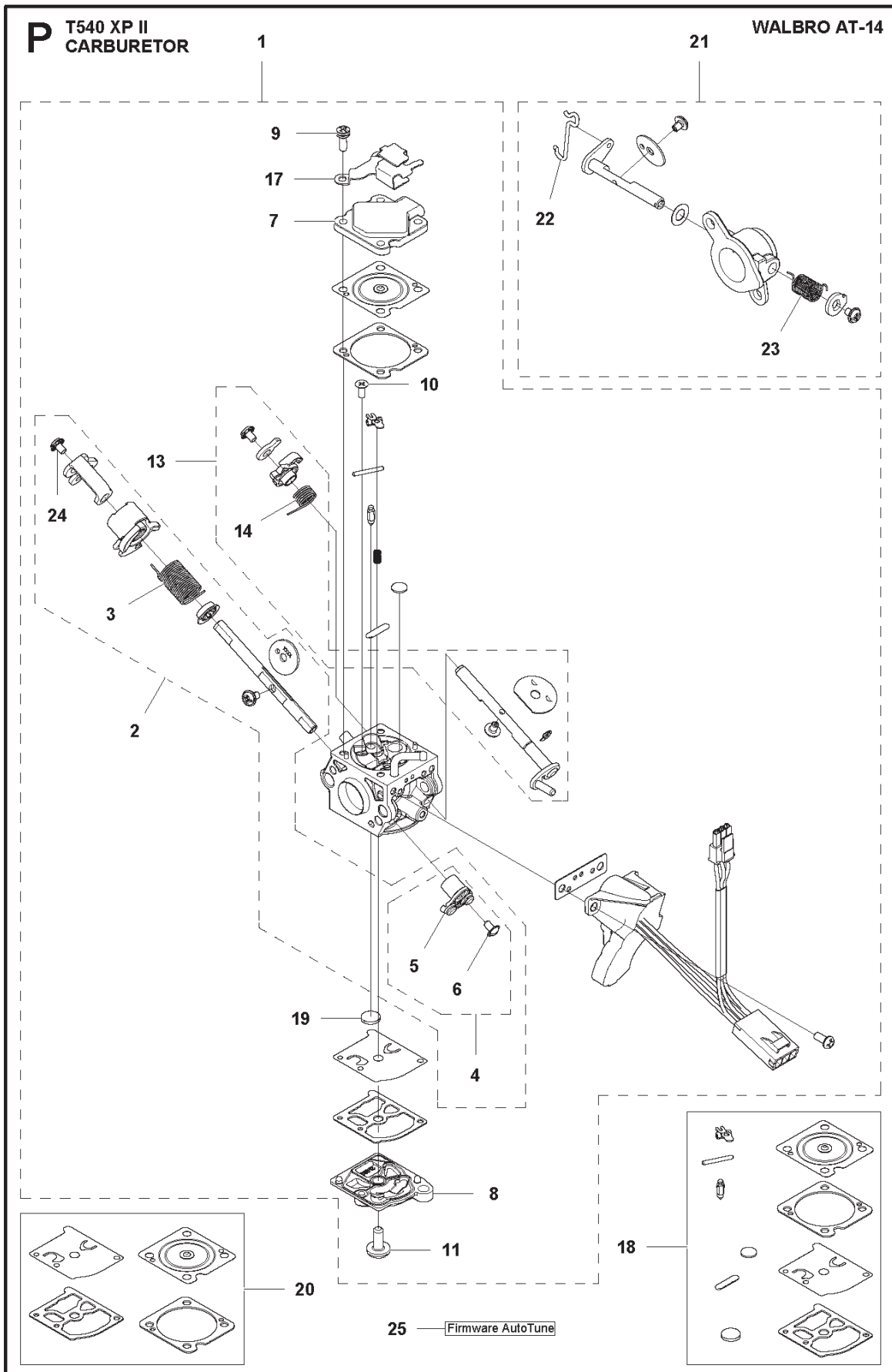


---

PXM_REF	PXM_PARTNO	DESCRIPTION	PXM_REMARK	QTY.
1	506902104	STARTER ASSY		1
2	506902201	STARTER COVER		1
3	506910001	SPRING CASSETTE ASSY		1
4	525887401	SCREW CITXPANT		2
5	506902302	STARTER PULLEY		1
6	505305103	STARTER ROPE		1
7	525764701	SCREW CITXSCT		1
8	584156201	STARTER HANDLE ASSY		1
9	537283201	SLEEVE		1
10	525824501	SCREW CITXPANMO		4
11	506941901	DECAL		1
12	506607702	AIR CONDUCTOR		1

**P** T540 XP II  
CARBURETOR

WALBRO AT-14

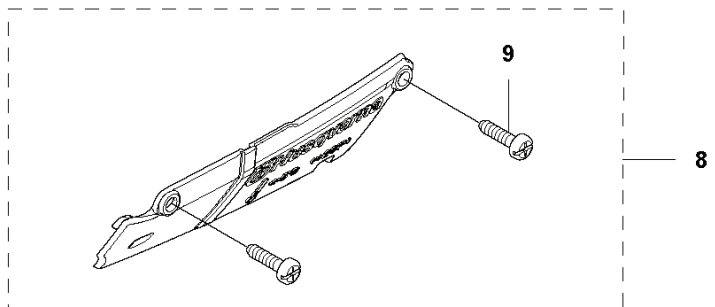
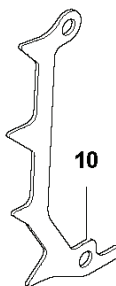
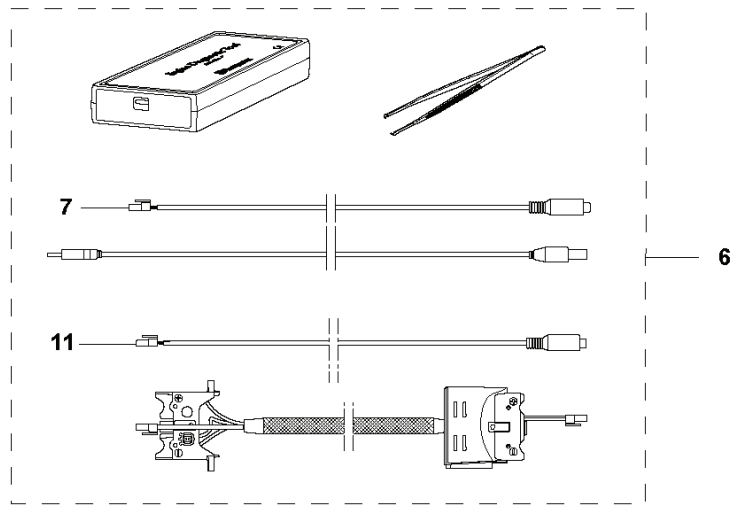
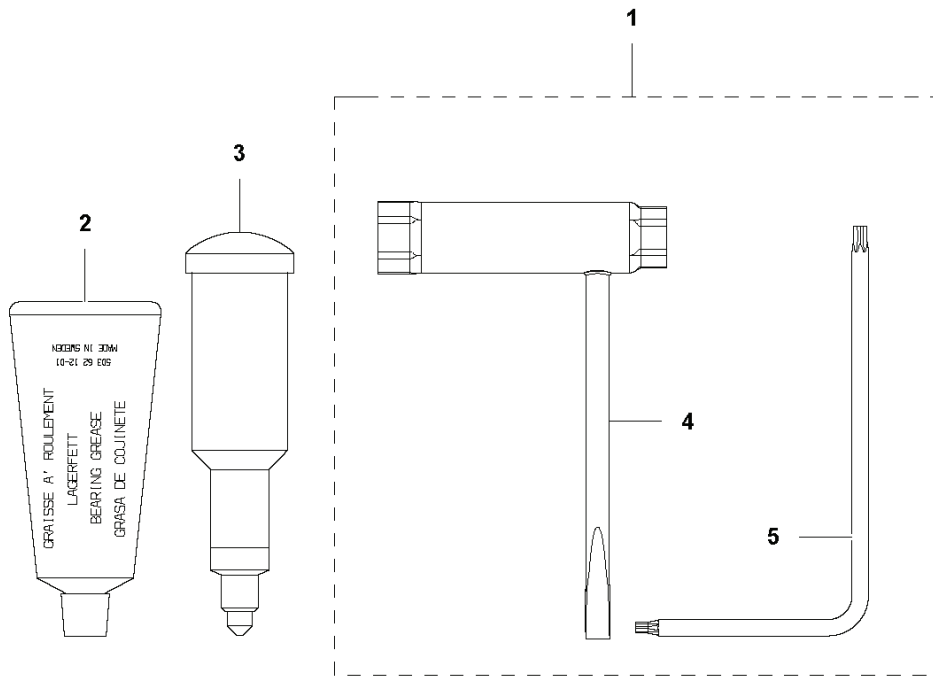


25 — Firmware AutoTune

PXM_REF	PXM_PARTNO	DESCRIPTION	PXM_REMARK	QTY.
1	586341402	CARBURETTOR	Walbro AT-14	1
2	577954901	KIT		1
3	574359401	SPRING		1
4	577753401	THROTTLE LEVER ASSY		1
5	577219201	THROTTLE LEVER ASSY		1
6	544111501	SCREW		1
7	574358101	COVER		1
8	576666801	PUMP COVER		1
9	537003101	SCREW		4
10	502847101	SCREW		1
11	574359001	SCREW		1
13	577955001	KIT		1
14	574359301	SPRING		1
17	588093801	BRACKET		1
18	580699901	REPAIR KIT	Walbro K2-AT. Repair kit	1
19	501666101	SCREEN		1
20	580700001	GASKET KIT	Walbro D2-AT. Set of gaskets	1
21	574437601	THROTTLE ASSY		1
22	574521101	LINK		1
23	576670201	SPRING		1
24	544111501	SCREW		1
25	900000002	DUMMY PART	Download from your local support site	1



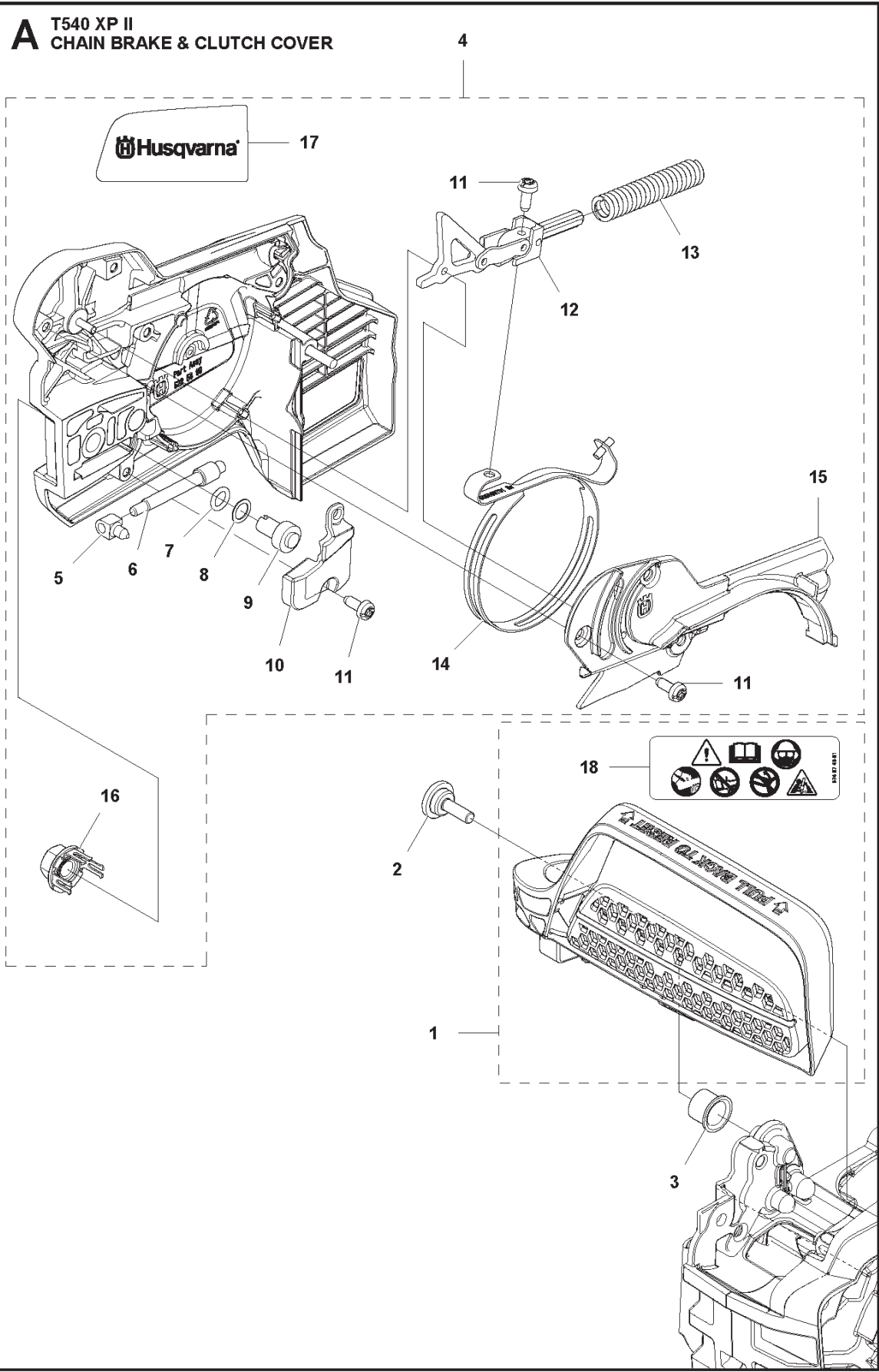
**Q T540 XP II  
ACCESSORIES**



---

PXM_REF	PXM_PARTNO	DESCRIPTION	PXM_REMARK	QTY.
1	503558510	TOOL		1
2	503621201	GREASE		1
3	501911401	GREASE GUN		1
4	522521102	COMBINATION WRENCH		1
5	575880701	WRENCH		1
6	583897101	DIAGNOSTIC TOOL KIT		1
7	576183401	CABLE ASSY		1
8	579384801	WINTER KIT		1
9	503217016	SCREW CCRPANT		2
10	515997201	SPIKE		1
11	576952201	CABLE ASSY		1

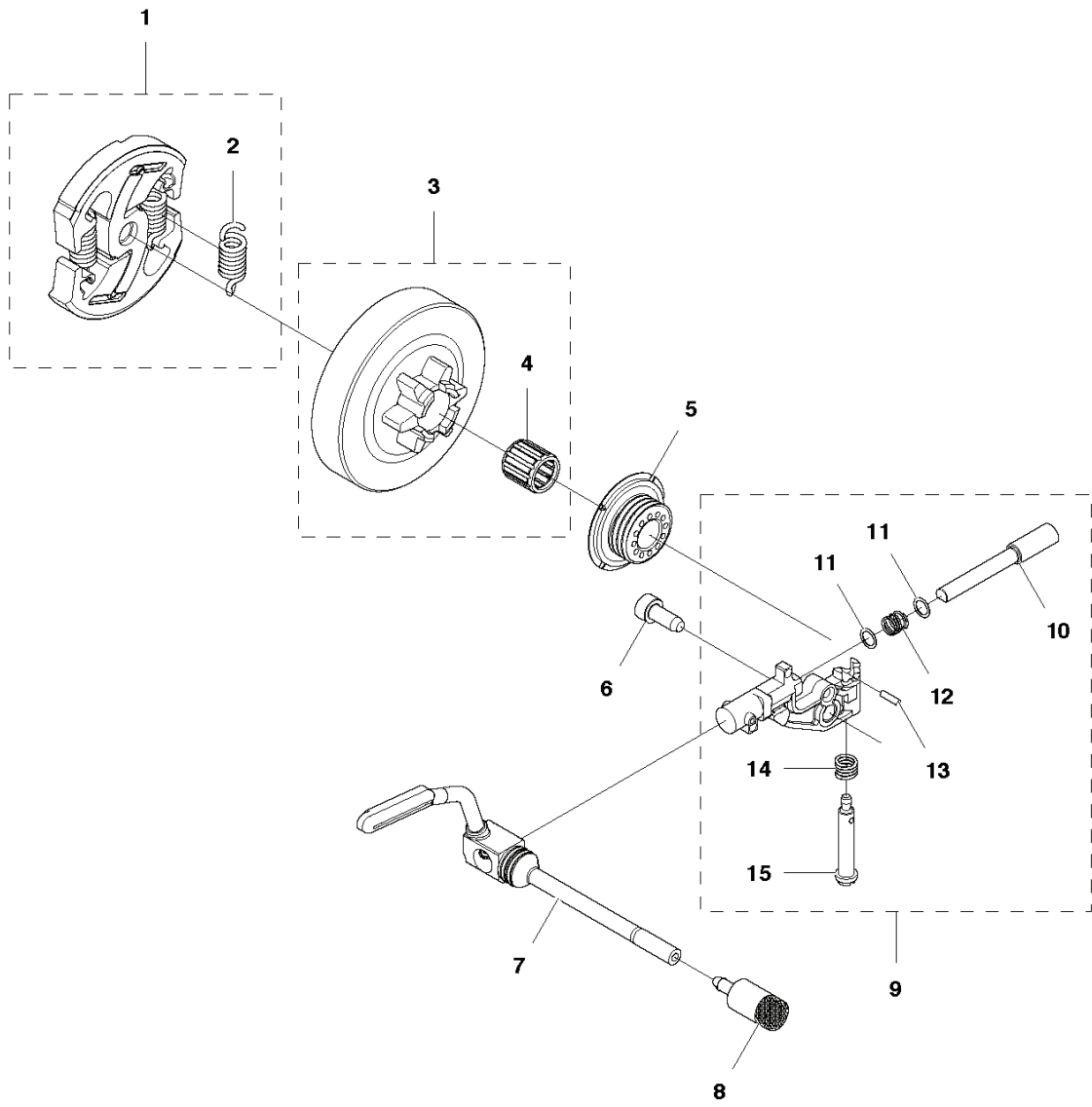
**A** T540 XP II  
CHAIN BRAKE & CLUTCH COVER



---

PXM_REF	PXM_PARTNO	DESCRIPTION	PXM_REMARK	QTY.
1	577829701	HAND GUARD ASSY		1
2	526834501	SCREW		1
3	537202801	BUSHING		1
4	505543103	CLUTCH COVER ASSY		1
5	588850301	PIN		1
6	537397001	WORM SCREW		1
7	740480702	O-RING		1
8	503230063	WASHER		1
9	537079402	WORM WHEEL		1
10	505214501	COVER		1
11	526222001	SCREW CITXPANT		7
12	505199301	KNEE JOINT ASSY		1
13	529279301	BRAKE SPRING		1
14	505566701	BRAKE BAND ASSY		1
15	505543302	COVER		1
16	505197301	NUT		1
17	515996701	DECAL		1
18	586249001	LABEL		1

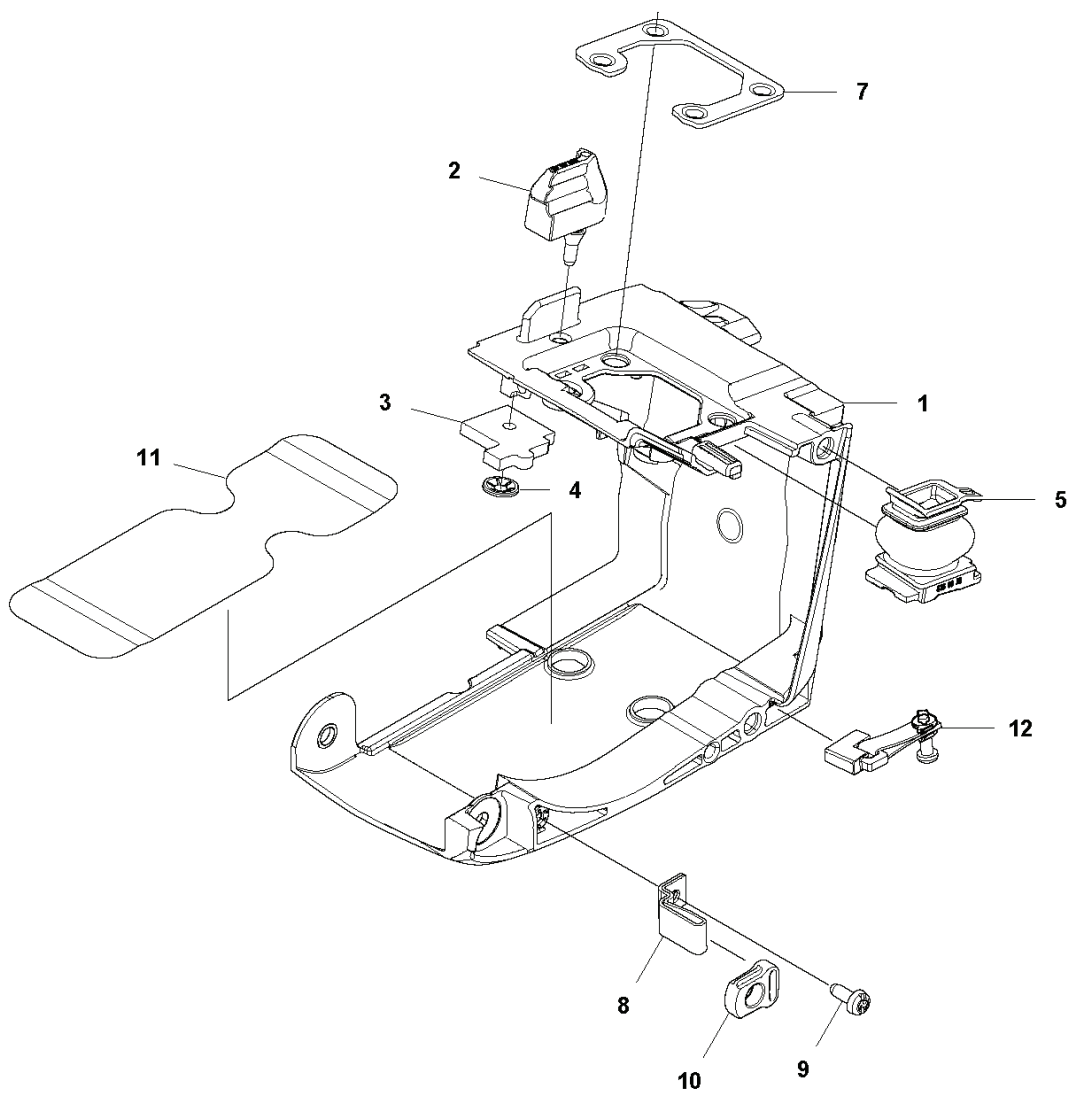
**B** T540 XP II  
CLUTCH & OIL PUMP



---

PXM_REF	PXM_PARTNO	DESCRIPTION	PXM_REMARK	QTY.
1	586864001	CLUTCH ASSY		1
2	574718801	CLUTCH SPRING		2
3	577389701	CLUTCH DRUM	3/8" - 7T	1
3	577389702	CLUTCH DRUM	0.325" - 7T	1
4	503254601	NEEDLE BEARING		1
5	504786001	WORM WHEEL		1
6	525764601	SCREW ITX SCT		1
7	504736001	OIL HOSE		1
8	503967501	OIL PLUMMET		1
9	544180103	OIL PUMP ASSY		1
10	537069102	PUMP PISTON		1
11	503230060	WASHER		2
12	503891601	SPRING		1
13	721116430	GROOVED PIN		1
14	503891501	SPRING		1
15	537027101	ADJUSTER		1

**C** T540 XP II  
CYLINDER COVER

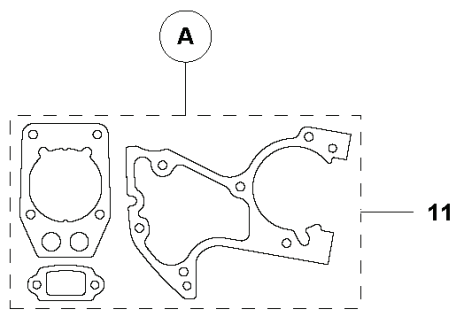
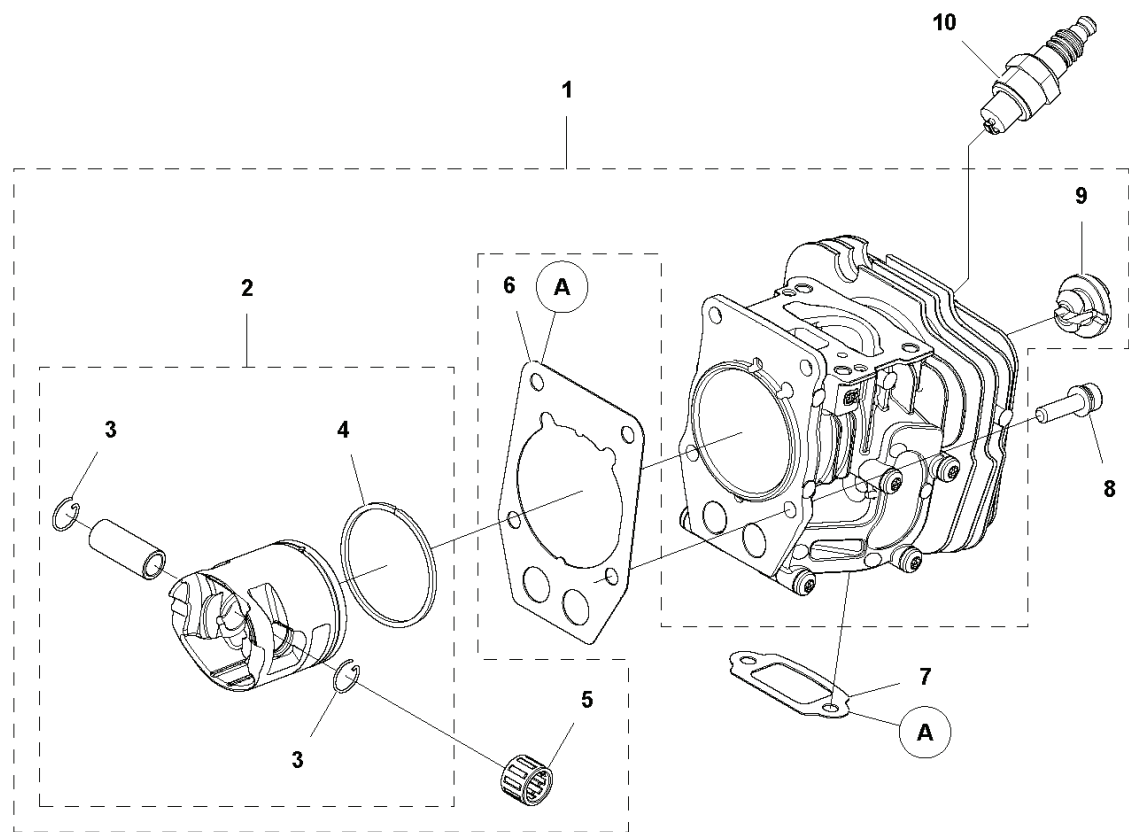


---

PXM_REF	PXM_PARTNO	DESCRIPTION	PXM_REMARK	QTY.
1	516034603	CYLINDER COVER ASSY		1
2	576884601	SUPPORT		1
3	575550201	SEAL		1
4	735583000	WASHER		1
5	515997301	BELLOWS		1
7	579173101	PLATE		1
8	579733101	STRAP		1
9	526222001	SCREW CITXPANT		1
10	584952901	WEDGE		1
11	586691601	HEAT DEFLECTOR		1
12	592616502	DEFLECTION LIMITER		1

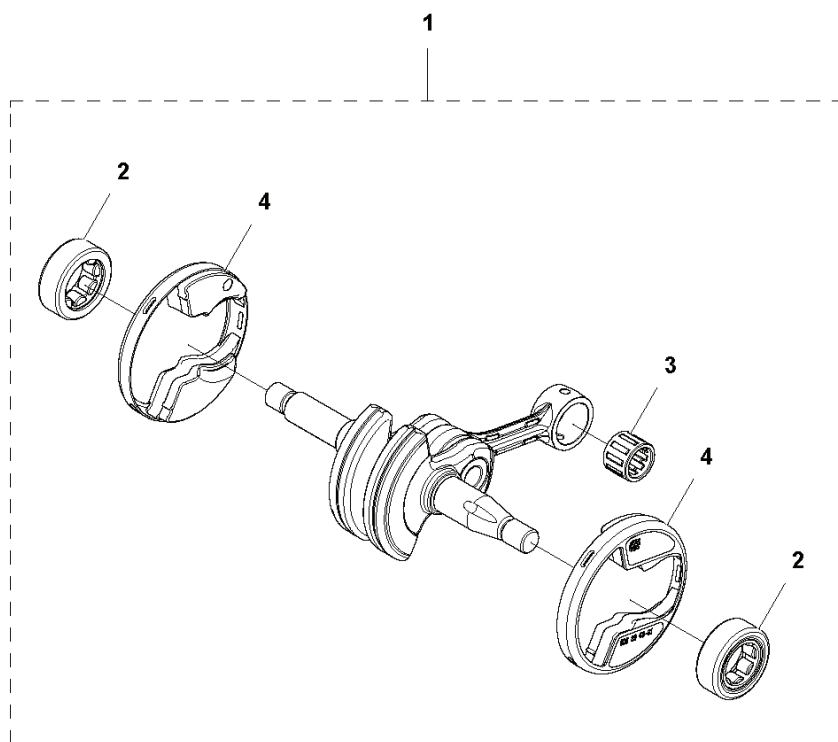


**D** T540 XP II  
CYLINDER & PISTON



PXM_REF	PXM_PARTNO	DESCRIPTION	PXM_REMARK	QTY.
1	586341502	CYLINDER		1
2	586446204	PISTON ASSY		1
3	737441000	SNAP RING		2
4	577960501	PISTON RING	- up to s/n 20201400191.	1
4	593644901	PISTON RING	From s/n 20201400192 -	1
5	503255501	NEEDLE BEARING		1
6	505457001	GASKET		1
7	505408301	GASKET		1
8	577401202	SCREW ITXSCM		4
9	576355902	SUPPORT		1
10	574519601	SPARK PLUG		1
11	576666101	GASKET KIT	A=Set of gaskets	1

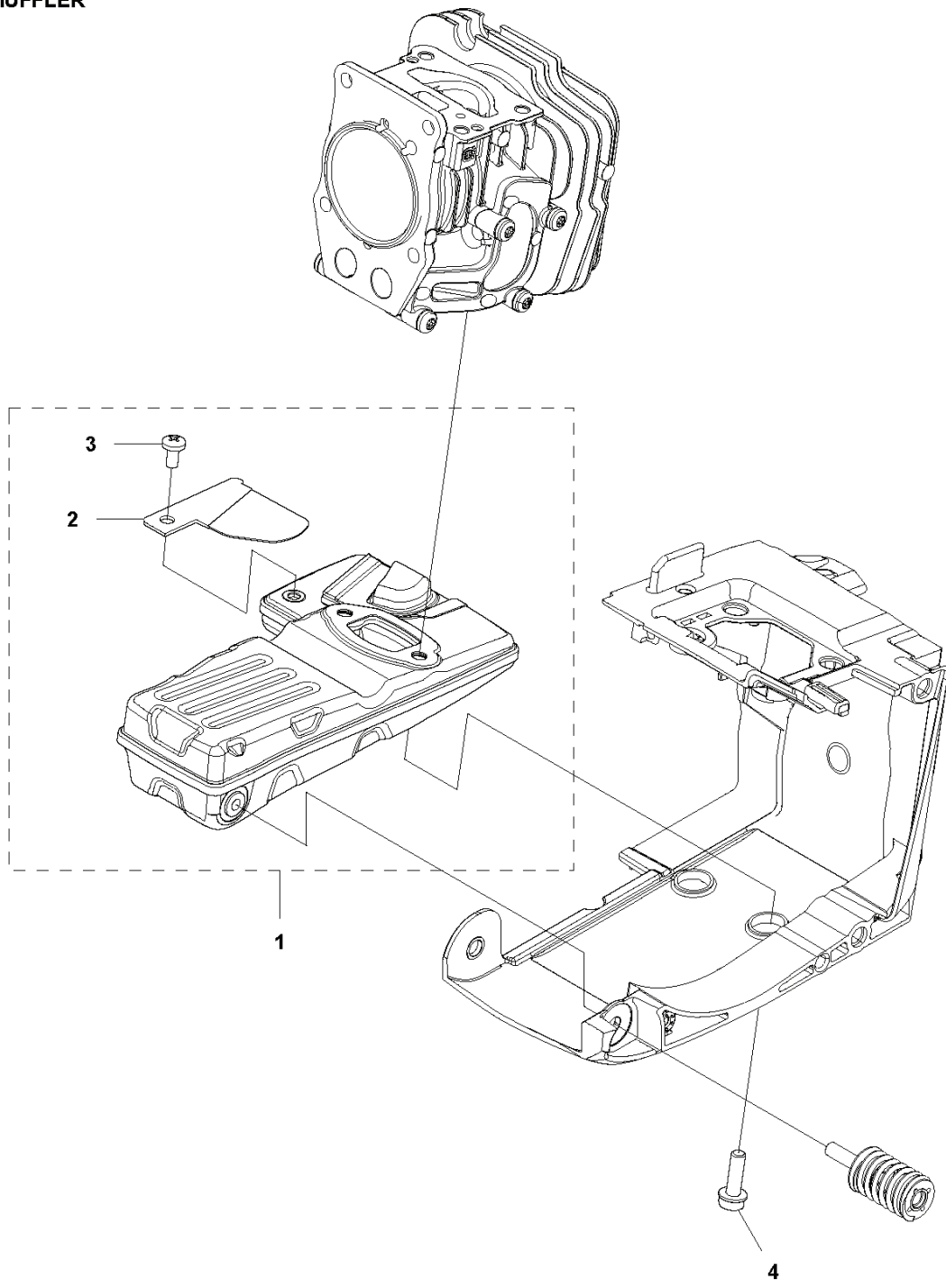
**E** T540 XP II  
CRANK SHAFT



---

PXM_REF	PXM_PARTNO	DESCRIPTION	PXM_REMARK	QTY.
1	576665901	CRANKSHAFT ASSY		1
2	505394701	ROLLER BEARING		2
3	503255501	NEEDLE BEARING		1
4	505394801	CUP		2

**F** T540 XP II  
MUFFLER



---

PXM_REF	PXM_PARTNO	DESCRIPTION	PXM_REMARK	QTY.
1	505407901	MUFFLER ASSY		1
2	505408501	SPARK ARRESTER SCREEN		1
3	724128759	SCREW CRPANM		1
4	525755202	SCREW ITXSCFM		2