

HUSQVARNA - SPARE PARTS CATALOGUE

CHAIN SAWS: HUSQVARNA T525

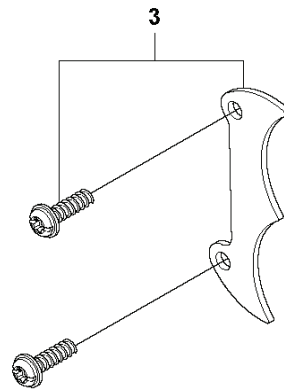
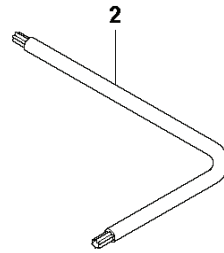
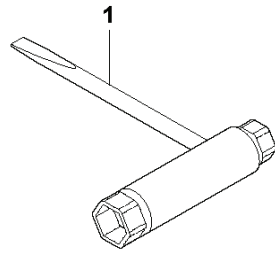
Spare parts list

SPARE PARTS LIST

CHAIN SAWS

HUSQVARNA T525

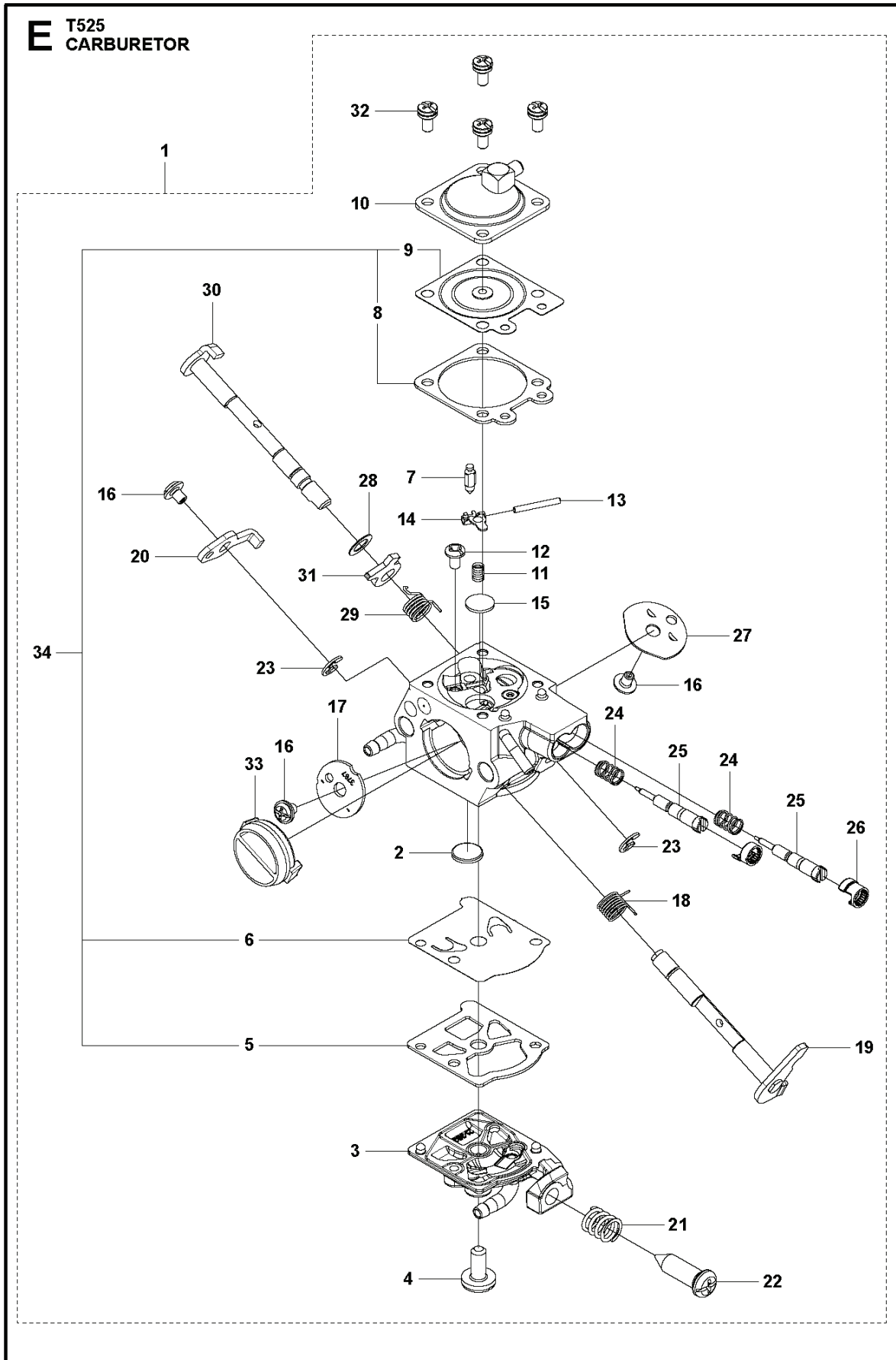
L T525
ACCESSORIES



CHAIN SAWS

PXM_REF	PXM_PARTNO	DESCRIPTION	PXM_REMARK	QTY.
1	587243501	WRENCH		1
2	575880701	WRENCH		1
3	590487801	SPIKE		1

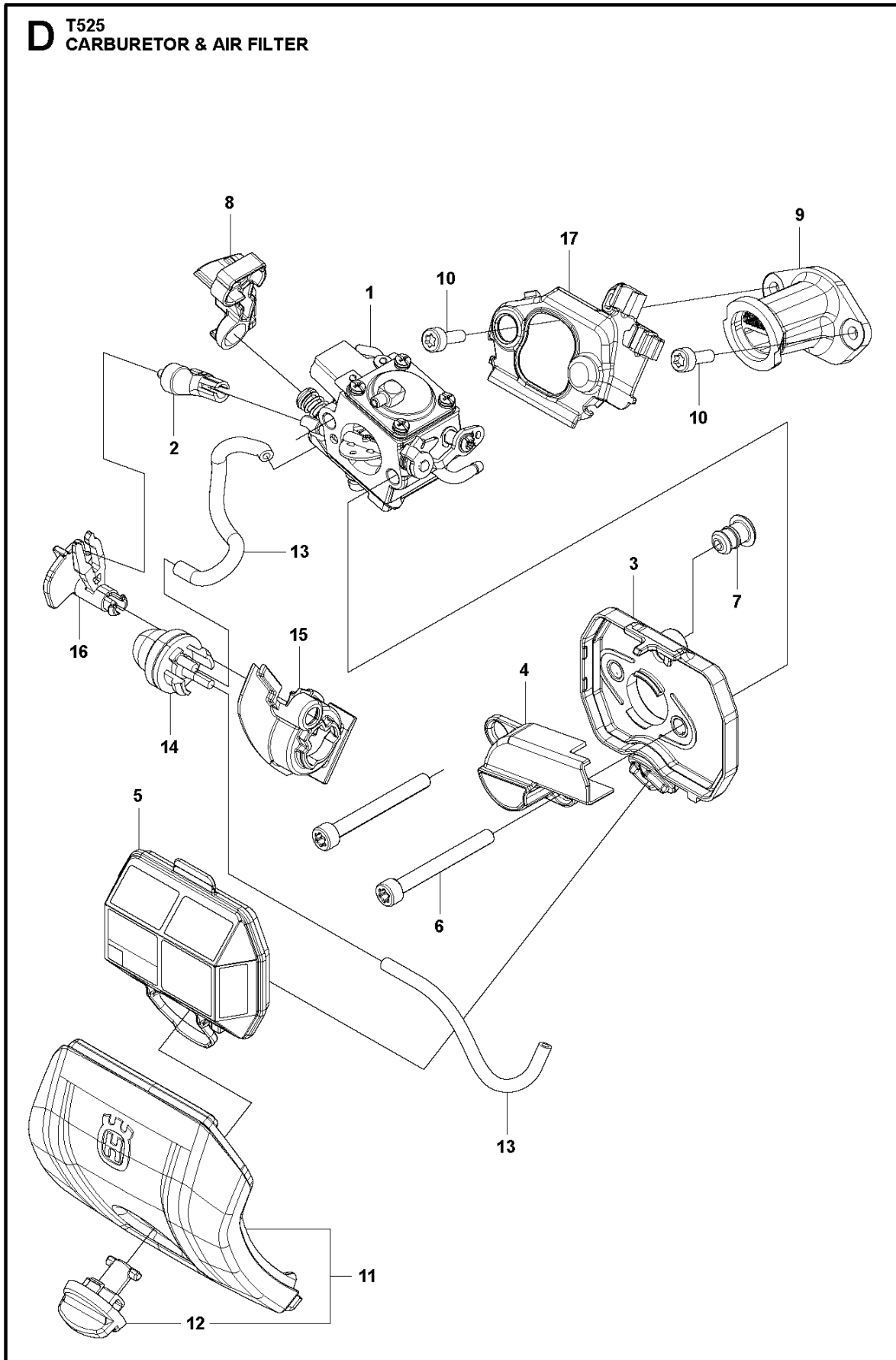
E T525
CARBURETOR



CHAIN SAWS

PXM_REF	PXM_PARTNO	DESCRIPTION	PXM_REMARK	QTY.
1	587870501	CARBURETTOR		1
2	520957001	SCREEN		1
3	590219101	COVER ASSY		1
4	520976301	SCREW		1
5	520954801	GASKET		1 1.34
6	596968101	DIAPHRAGM PUMP		1 1.34
7	521085401	VALVE.INLET		1
8	516972101	GASKET		1 1.34
9	505306801	DIAPHRAGM		1 1.34
10	522646001	COVER		1
11	511967601	SPRING		1
12	520977301	SCREW		1
13	520977401	PIN		1
14	520977201	LEVER		1
15	516342901	PLUG		1
16	520759801	SCREW		3
17	590219301	VALVE		1
18	590219401	SPRING		1
19	590219501	SHAFT ASSY		1
20	590219701	LEVER		1
21	513593201	SPRING		1
22	577815701	SCREW		1
23	505056501	RING		2
24	578912801	SPRING		2
25	579190901	NEEDLE HIGH SPEED		2
26	578913001	CAP		2
27	521790001	VALVE		1
28	516524201	WASHER		1
29	590219801	SPRING		1
30	590219901	SHAFT ASSY		1
31	521581101	LEVER		1
32	520978801	SCREW ASSY		4
33	590237301	RING		1
34	585597401	GASKET KIT		1

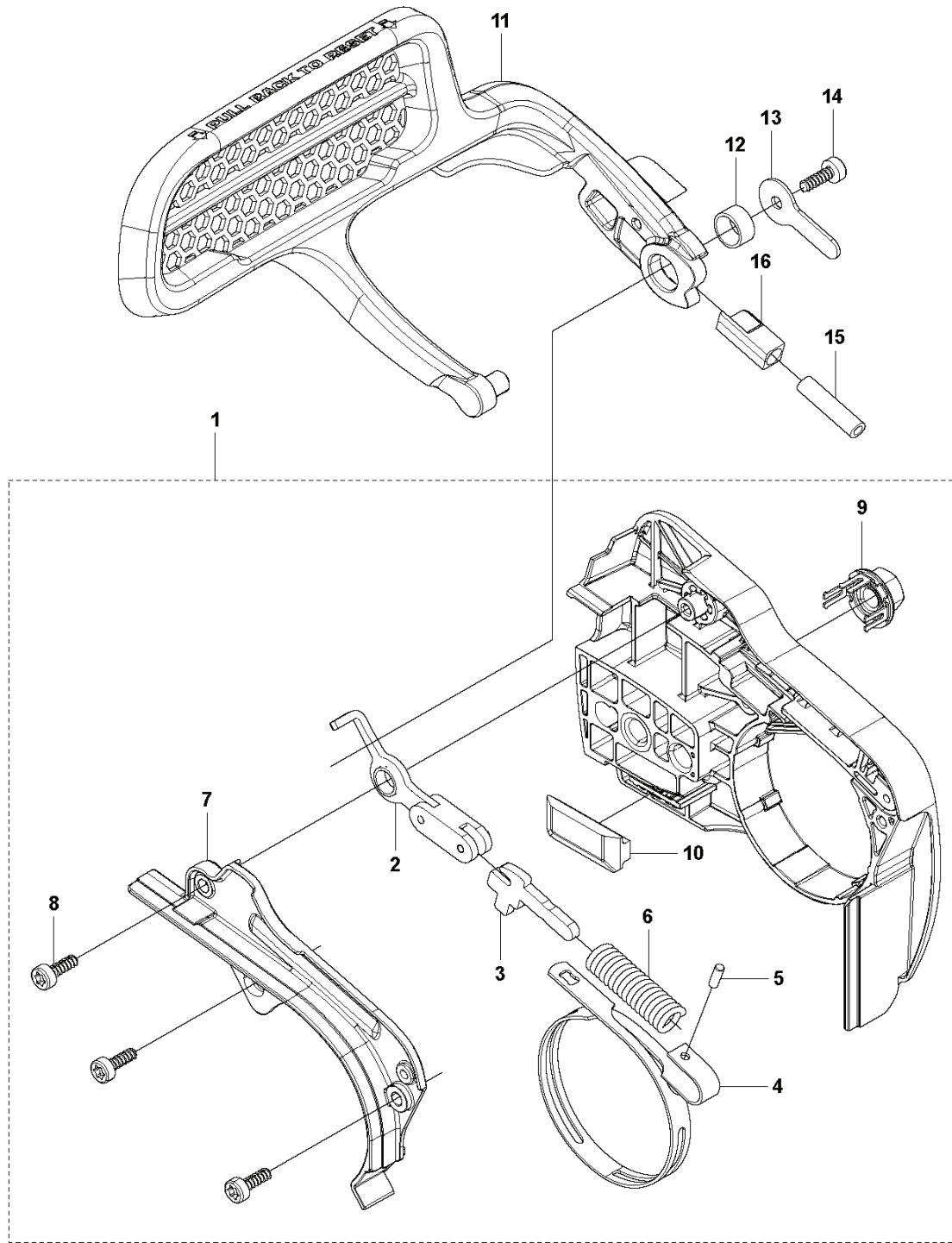
D T525
CARBURETOR & AIR FILTER



CHAIN SAWS

PXM_REF	PXM_PARTNO	DESCRIPTION	PXM_REMARK	QTY.
1	587870501	CARBURETTOR		1
2	588662501	CHOKE LEVER		1
3	587870701	AIR FILTER BOTTOM		1
4	589205001	PLATE		1
5	587871001	AIR FILTER HALF		1
5	597176001	AIR FILTER HALF	Non-woven	1
6	587870901	BOLT		2
7	521625602	GROMMET		1
8	587871401	GROMMET		1
9	587871101	INLET PIPE		1
10	521515701	BOLT		2
11	587879601	AIR FILTER COVER		1
12	585697402	KNOB		1 11
13	595526903	FUEL HOSE		2
14	513789301	PUMP		1
15	587880101	BRACKET		1
16	587870601	CHOKE CONTROL		1
17	587879901	COVER		1

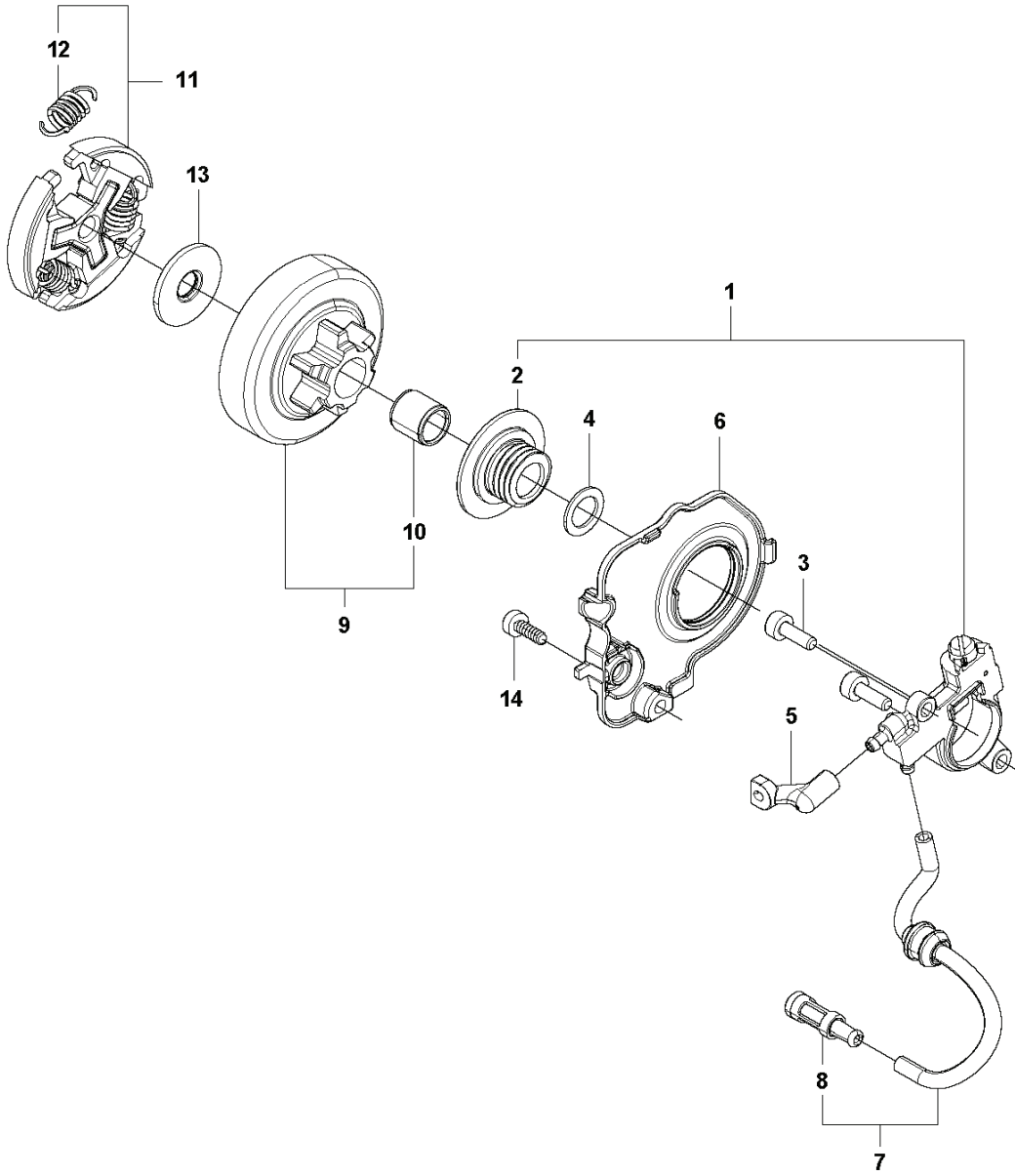
J T525
CHAIN BRAKE & CLUTCH COVER



CHAIN SAWS

PXM_REF	PXM_PARTNO	DESCRIPTION	PXM_REMARK	QTY.
1	587876601	CHAIN BRAKE ASSY		1
2	587876901	KNEE JOINT ASSY		1 1
3	516825601	ARM		1 1
4	587877301	BRAKE BAND		1 1
5	521075401	ROLLER		1 1
6	589569901	BRAKE SPRING		1 1
7	587877501	COVER LID		1 1
8	576984002	SCREW		3 1
9	505197301	NUT		1 1
10	513619001	GUIDE		1 1
11	587872701	HAND GUARD		1
12	587872902	SPACER		1
13	587873001	WASHER		1
14	576984002	SCREW		1
15	576984501	SPRING		1
16	576984601	CATCH		1

G T525
CLUTCH & OIL PUMP

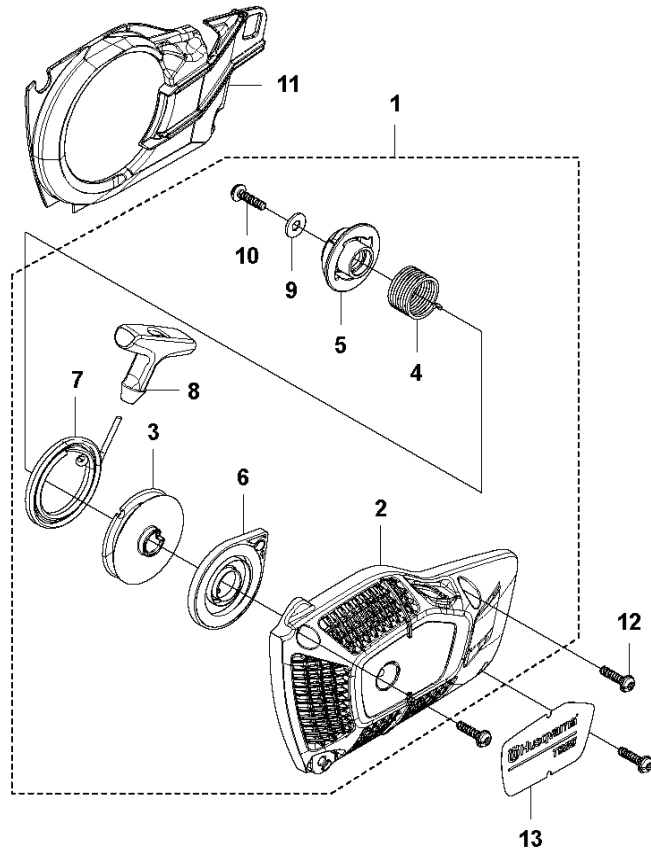


CHAIN SAWS

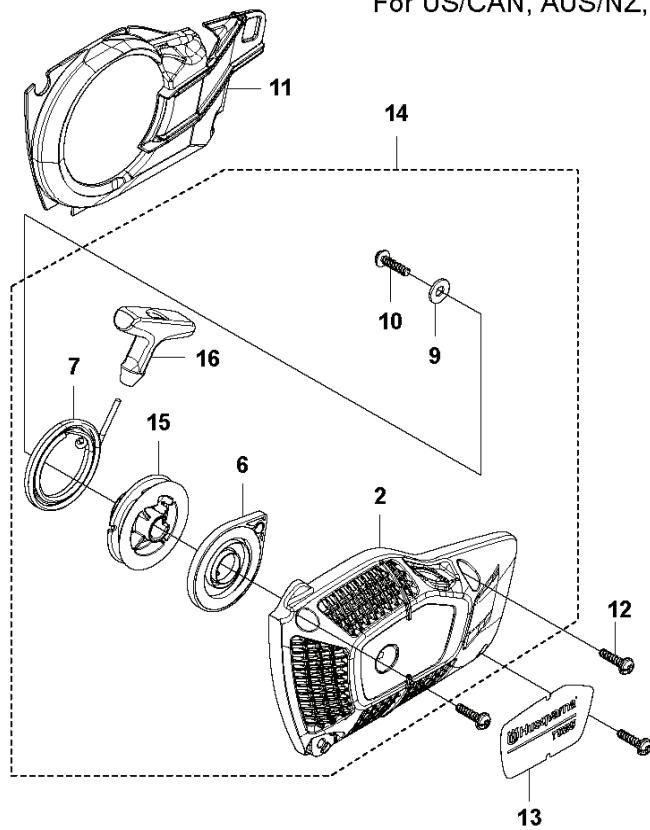
PXM_REF	PXM_PARTNO	DESCRIPTION	PXM_REMARK	QTY.
1	587873401	OIL PUMP ASSY		1
2	593825301	WORM GEAR		1 1
3	521515701	BOLT		2
4	505053301	WASHER		1
5	587873801	OIL PRESSURE HOSE		1
6	587873901	COVER	s/n up to 20182699999	1
6	587873902	COVER	From s/n 20182700001 and Use together with 58787 15-05 HOUSING ASSY for s/n up to 20182699999	1
7	587874102	OIL HOSE		1
8	594706201	OIL FILTER		1 7
9	501290501	CLUTCH DRUM ASSY	3/8 6 tooth	1
9	501290502	CLUTCH DRUM ASSY	1/4 8 tooth	1
9	501290503	CLUTCH DRUM ASSY	0.325 mimi 7 tooth	1
10	514183301	BEARING		1 9
11	511044501	CLUTCH		1
12	512423501	SPRING		3 11
13	512423401	PLATE		1
14	576984002	SCREW		1

**T525
STARTER**

For EU market



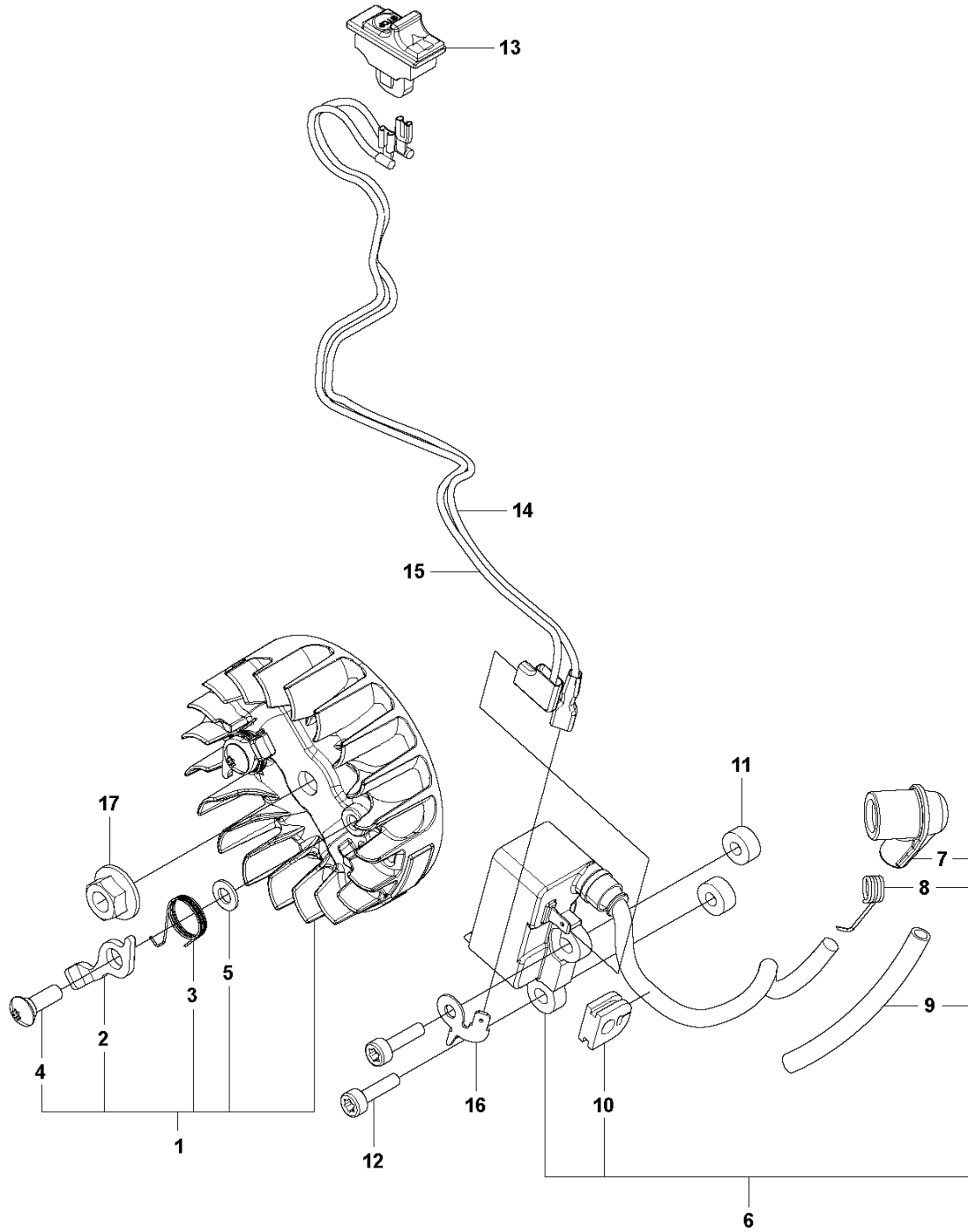
For US/CAN, AUS/NZ, EU, JP market



CHAIN SAWS

PXM_REF	PXM_PARTNO	DESCRIPTION	PXM_REMARK	QTY.	
1	587875501	STARTER ASSY	s/n up to 20202609488 For EU market	1	
2	587875601	STARTER HOUSING	s/n up to 20202700809 for all market	1	
2	587875602	STARTER HOUSING		1	1,14
3	587875801	STARTER PULLEY	s/n up to 20202609488 For EU market	1	1
4	587875901	SPRING	s/n up to 20202609488 For EU market	1	1
5	587876001	RATCHET	s/n up to 20202609488 For EU market	1	1
6	513734601	SPRING		1	1,14
7	513417101	ROPE		1	1,14
8	575489501	STARTER HANDLE	s/n up to 20202609488 For EU market	1	1
9	505054401	WASHER		1	1,14
10	521518001	SCREW		1	1,14
11	587876401	COOLING AIR CONDUCTOR		1	
12	521518101	SCREW		4	
13	593781701	DECAL		1	
14	596914001	STARTER ASSY	s/n up to 20202700809 for US/CA, AU/NZ market	1	
14	596914002	STARTER ASSY	For US/CAN, AUS/NZ market, s/n from 20202700810 For EU, JP market	1	
15	593587101	STARTER PULLEY	For US/CAN, AUS/NZ market, s/n from 20202700810 For EU, JP market	1	14
16	593587302	STARTER HANDLE	For US/CAN, AUS/NZ market, s/n from 20202700810 For EU, JP market	1	14

H T525 IGNITION SYSTEM

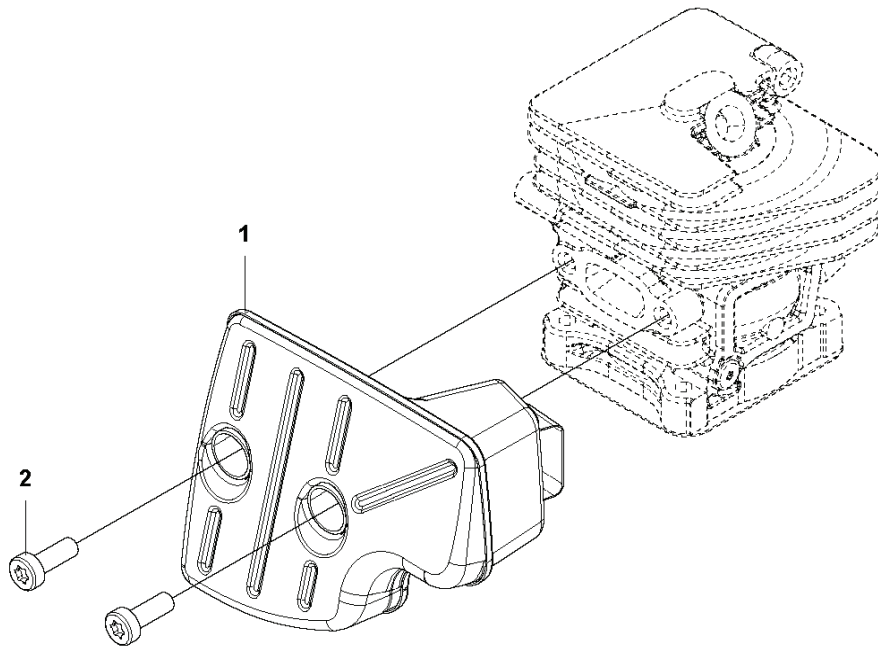


CHAIN SAWS

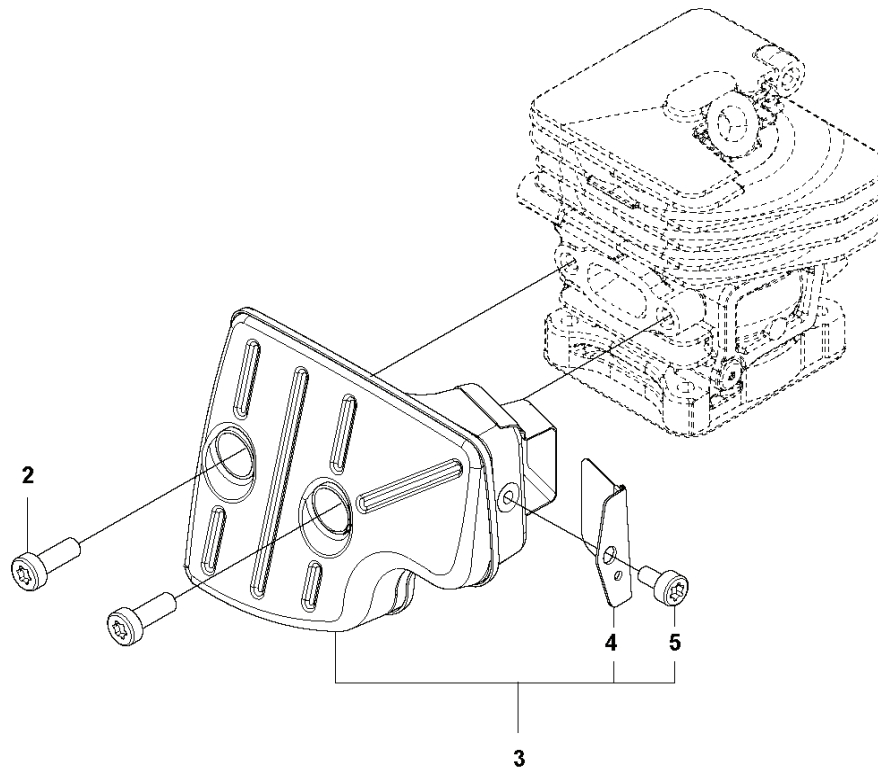
PXM_REF	PXM_PARTNO	DESCRIPTION	PXM_REMARK	QTY.
1	587874701	FLYWHEEL ASSY		1
2	521551701	PAWL		2 1
3	521551801	SPRING		2 1
4	521516001	SCREW		2 1
5	506614401	WASHER		2 1
6	587874902	IGNITION MODULE ASSY		1
7	512444001	HUB CAP		1 6
8	513243301	SPRING		1 6
9	590154501	TUBE		1 6
10	515415301	GROMMET		1 6
11	505043401	SPACER		2
12	506745701	BOLT		2
13	522798201	STOP SWITCH		1
14	587875401	SHORT CIRCUIT CABLE		1
15	587875301	SHORT CIRCUIT CABLE		1
16	588662701	TERMINAL		1
17	504118001	NUT		1

C T525
MUFFLER

For EU, JP market



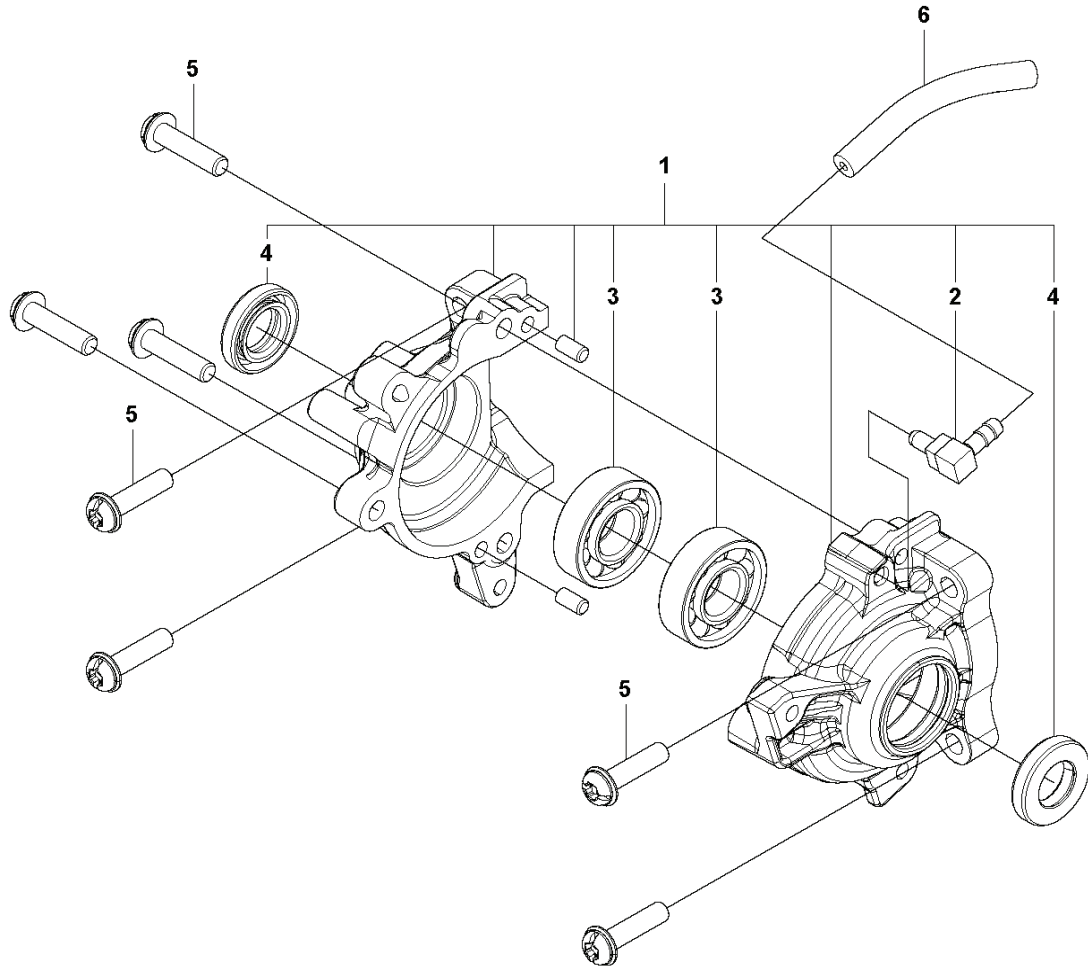
For US/CAN, AUS/NZ market



CHAIN SAWS

PXM_REF	PXM_PARTNO	DESCRIPTION	PXM_REMARK	QTY.
1	587869601	MUFFLER	For EU, JP market	1
2	521516201	BOLT		2
3	593333001	MUFFLER ASSY	For US/CAN market	1
4	593333401	SPARK ARRESTER SCREEN	For US/CAN market	1 3
5	544362701	BOLT	For US/CAN market	1 3

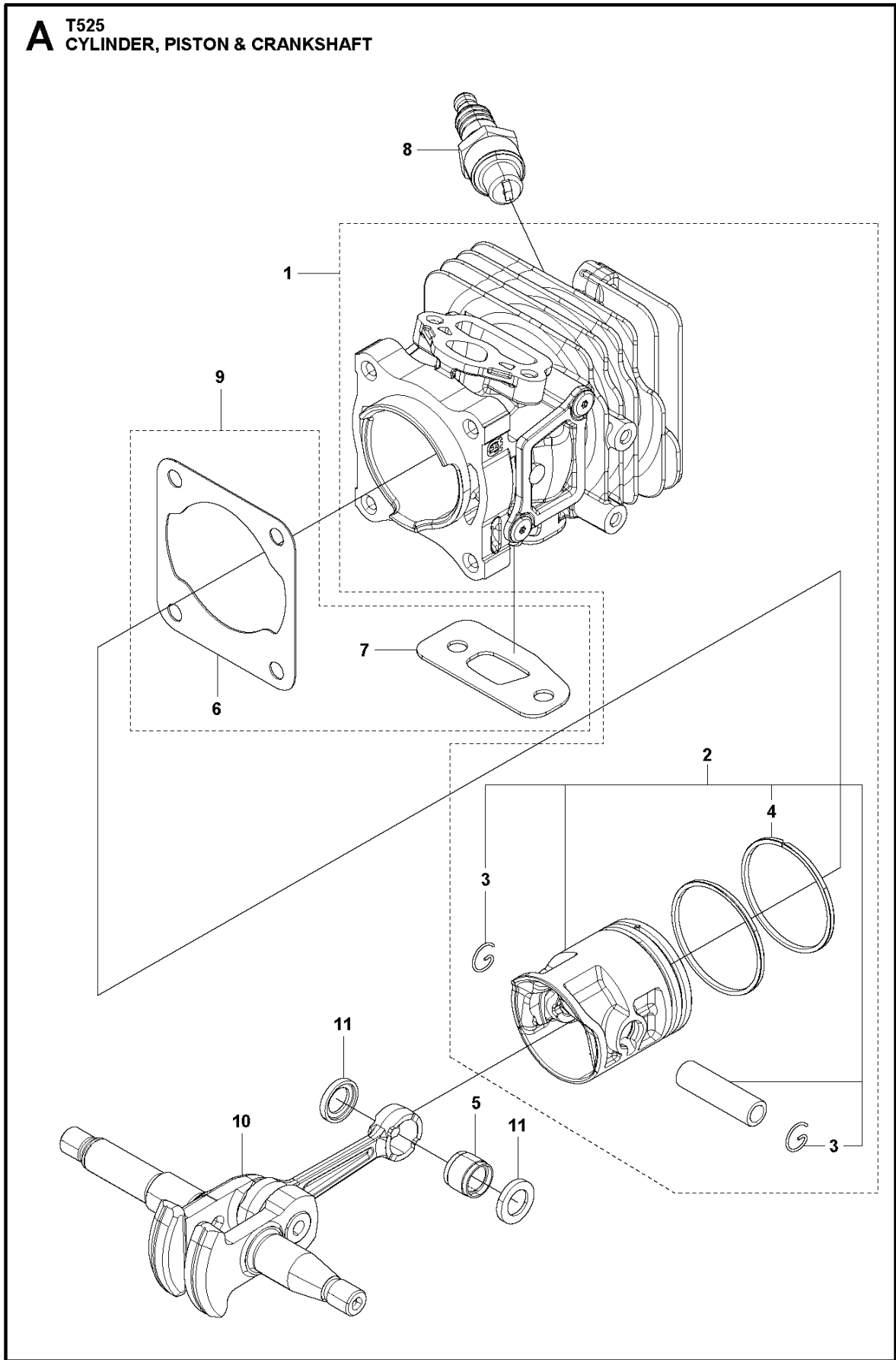
B T525
CRANKCASE



CHAIN SAWS

PXM_REF	PXM_PARTNO	DESCRIPTION	PXM_REMARK	QTY.
1	590153301	CRANKCASE ASSY		1
2	590508001	ELBOW		1 1
3	587869501	BALL BEARING		2 1
4	522639101	SEAL		2 1
5	590266701	SCREW		7
6	587868701	IMPULSE HOSE		1

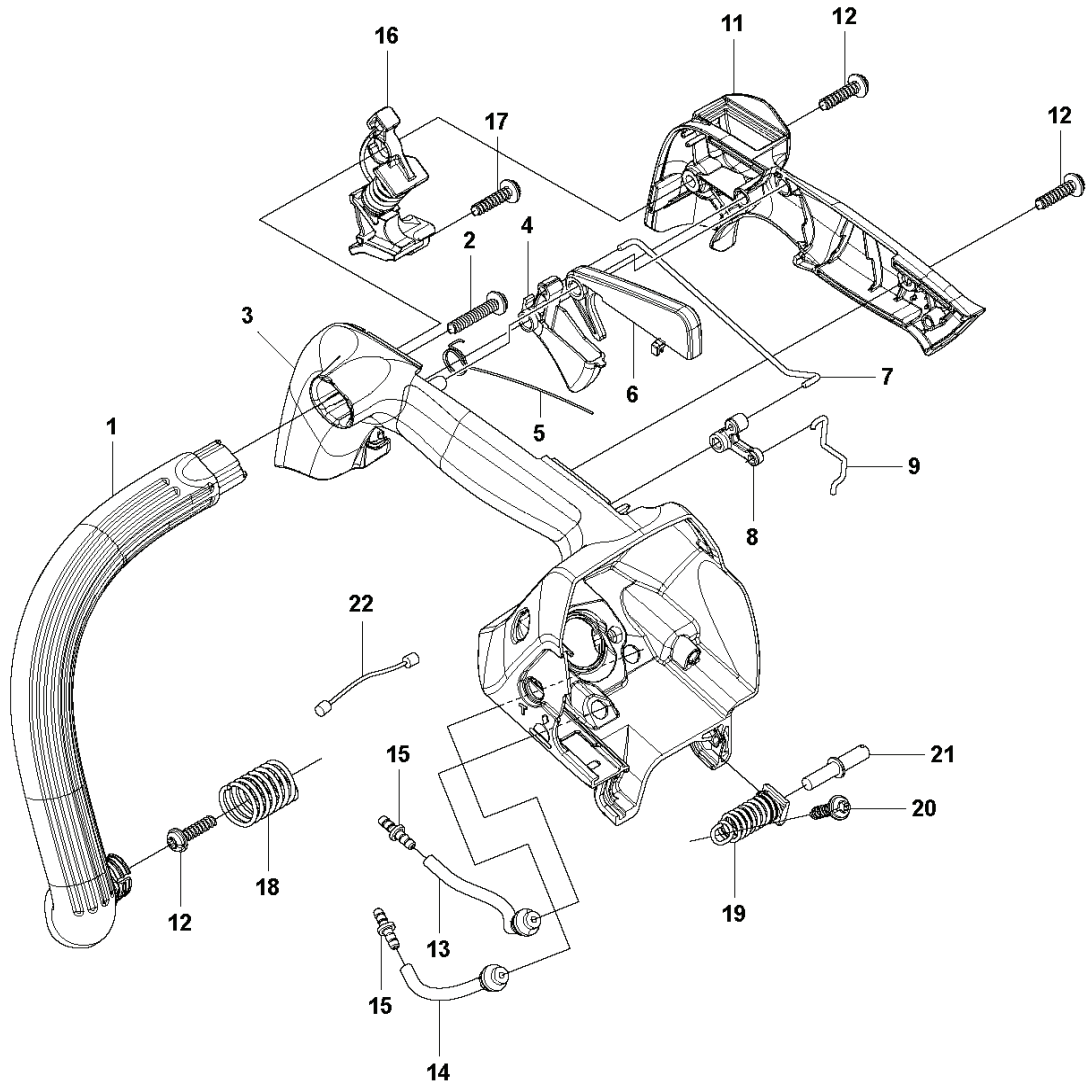
A T525
CYLINDER, PISTON & CRANKSHAFT



CHAIN SAWS

PXM_REF	PXM_PARTNO	DESCRIPTION	PXM_REMARK	QTY.
1	501015801	CYLINDER ASSY		1
2	501015902	PISTON ASSY		1 1
3	737440800	CIRCLIP		2 1,2
4	590648501	PISTON RING		2 1,2
5	505040901	BEARING		1
6	587868001	GASKET		1 9
7	587870402	GASKET		1 9
8	503235401	SPARK PLUG		1
9	590531702	SEALING		1
10	587869001	CRANKSHAFT		1
11	505041001	WASHER		2

K T525
HANDLE



CHAIN SAWS

PXM_REF	PXM_PARTNO	DESCRIPTION	PXM_REMARK	QTY.
1	587877801	FRONT HANDLE		1
2	512848101	SCREW		1
3	587878101	HANDLE	s/n up to 20202609488 For EU market	1
3	587878103	HANDLE	For US/CAN. AUS/NZ market. s/n from 20202700810 For EU, JP market	1
4	587878301	THROTTLE CONTROL		1
5	505048001	SPRING		1
6	587878603	THROTTLE LOCKOUT		1
7	587878701	THROTTLE ROD		1
8	587878801	LINK ARM		1
9	587879001	LINK ROD		1
11	587879301	COVER	s/n up to 20202609488 For EU market	1
11	587879302	COVER	For US/CAN. AUS/NZ market. s/n from 20202700810 For EU, JP market	1
12	521518101	SCREW		3
13	589204903	IMPULSE HOSE	For EU, AUS/NZ market	1
13	593186902	GROMMET	For US/CAN market	1
14	589204904	IMPULSE HOSE		1
15	516950301	JOINT		2
16	501906203	ANTIVIBRATION ELEMENT		1
17	521518001	SCREW		1
18	587880601	SPRING		1
19	588989201	ANTIVIBRATION ELEMENT		1
20	521517901	SCREW		1
21	513727801	BOLT		1
22	587880303	WIRE	s/n from 20202700810	1

CHAIN SAWS

PXM_REF	PXM_PARTNO	DESCRIPTION	PXM_REMARK	QTY.
1	587871501	HOUSING ASSY	s/n up to 20182699999	1
1	587871505	HOUSING ASSY	From s/n 20182700001 and Use together with 58787 39-02 COVER for Up to s/n 20182699999	1
2	587872201	MUFFLER GUARD	For EU, JP market	1
2	593726701	MUFFLER GUARD	For US/CAN, AUS/NZ market	1
3	590266402	SCREW		1
4	516961901	BREATHER		1
5	516948101	SEAL		1
6	577878603	TANK CAP ASSY		2
7	589241301	GASKET		1
8	503578901	HOLDER		1
9	590266501	SCREW		4
10	587872601	COVER		1
11	587876502	AIR INTAKE		1
12	587873101	LOOP		1
13	587873201	BRACKET		1
14	576984002	SCREW		1
15	587873301	CHAIN GUIDE PLATE		1
16	521799901	BOLT		1
17	513558701	CATCH		1
18	521518101	SCREW		1
19	501904301	WORM SCREW		1
20	513701401	NUT		1
21	501899401	GEAR		1
22	501903501	WORM GEAR		1
23	501905401	COVER		1
24	590361001	WASHER		1
25	576984002	SCREW		1
26	587874001	COVER	s/n up to 20182699999	1
26	587874002	COVER	s/n from 20182700001	1
27	576984002	SCREW		1
28	590154403	FUEL HOSE ASSY	For EU, AUS/NZ, JP market	1
28	590154404	FUEL HOSE ASSY	For US/CAN market	1
29	575960701	FILTER		1
30	505044501	COLLAR		1
31	597866301	BREATHER		1
32	514201402	GROMMET		2
33	595526912	FUEL HOSE		1
34	516950301	JOINT		2
35	587860801	BRACKET		1
36	590223901	SEALING		1
37	590153601	INSULATING SHEET		1
38	590153701	INSULATING SHEET		1
39	590153801	INSULATING SHEET		1
41	576381301	LOOP		1
42	522847901	SCREW ITXSCFM		1