

# MS 151 TC-E

Spare Parts List

01/31/2022

United Kingdom, English

## ErgoStart/Easy2Start

### Tophandle

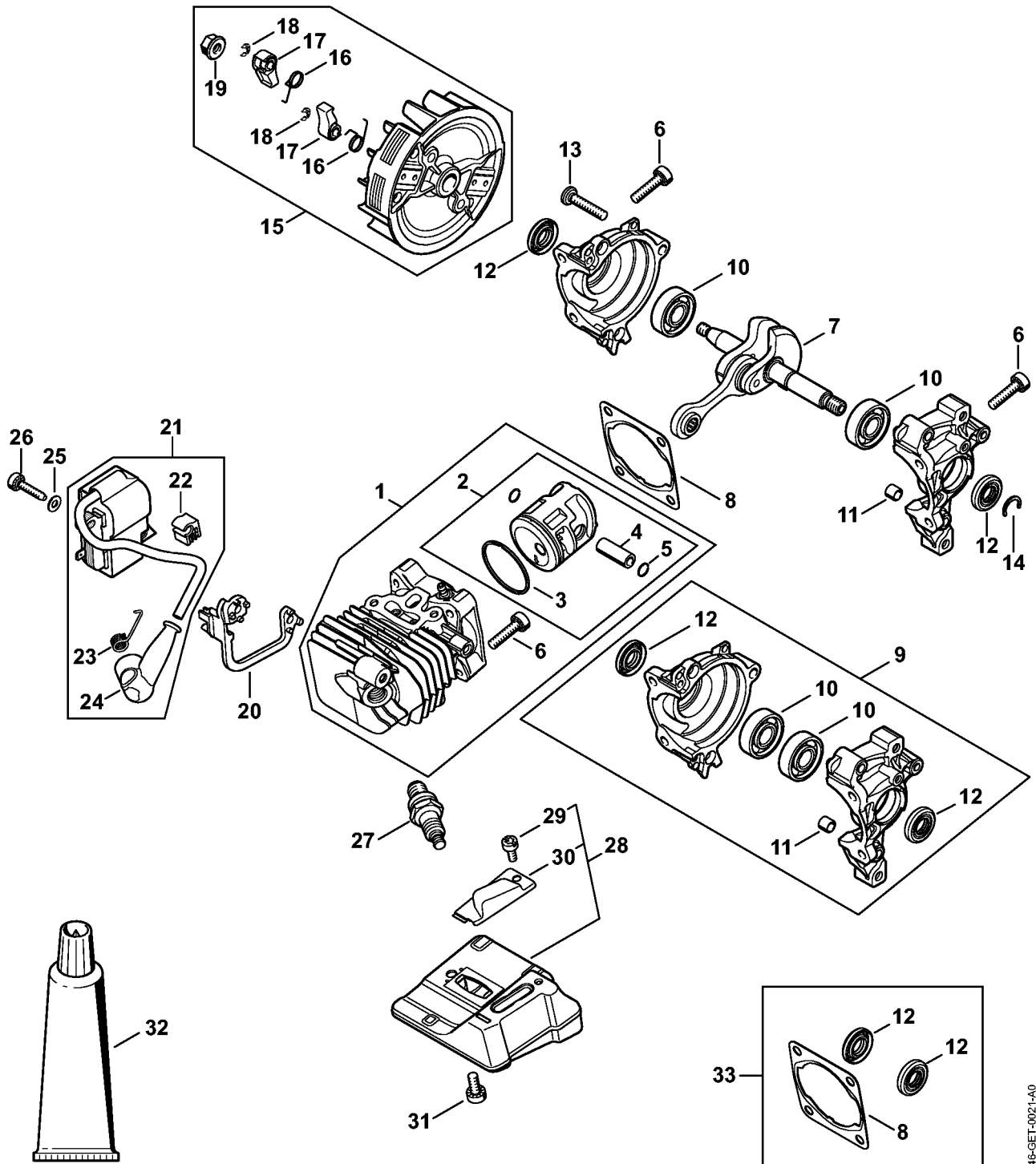
## Contents

Cylinder with piston, Ignition system .....	3	Assembly hook .....	57
Motor housing .....	6	Ignition system tester, ZAT 3 .....	59
Oil pump, Clutch .....	9	Ignition system tester, ZAT 4 .....	61
Chain sprocket cover .....	11	Setting disk .....	63
Rewind starter .....	13	Torque wrench with optical/acoustic signal .....	65
Handle housing, Handlebar .....	15	Torque wrench with optical/acoustic signal .....	67
Air filter, Carburetor box cover .....	17	Screw sleeve .....	69
Carburetor 1146/05 .....	19	Assembly drift .....	71
Tools, Extras .....	21	Assembly stand .....	73
Serial number .....	23	Setting gauge .....	75
Miscellaneous lubricants and greases .....	25	Puller .....	77
Cleaning products .....	27	Puller .....	79
Jaw .....	29	Flange .....	81
Nipple .....	31	Puller .....	83
Installing tool .....	33	Punchdown tool .....	85
Clamping strap .....	35	Locking strip .....	87
Wooden assembly block .....	37	Flange .....	89
Socket, T20x125 .....	39	Cover .....	91
Socket, T27x125 .....	41	Pump .....	93
Hose 135 mm / 5 5/16" .....	43	Stud puller, M8-7,5 .....	95
Setting gauge .....	45	Installing sleeve .....	97
Assembly tube .....	47	Installing sleeve .....	99
Installing tool, 8 .....	49	Sleeve .....	101
Assembly hook .....	51	Screw sleeve .....	103
Stud puller, M8 .....	53	Screw sleeve .....	105
Socket, 13 mm .....	55	Collar screw .....	107

# Contents

Support .....	109
Adapter, battery-to-analyzer AAD 1 .....	111
Diagnostic unit MDG 1 .....	113
Screwdriver, T27x150 .....	115
Screwdriver, T20 .....	117
Screwdriver, T27x150 .....	119
Socket, T20x140 .....	121
Chain without cutters 1/4" P 1.1 (30 cm / 12") .....	123
Screwdriver, T8 .....	125

# Cylinder with piston, Ignition system



1146-GET-0021-A0

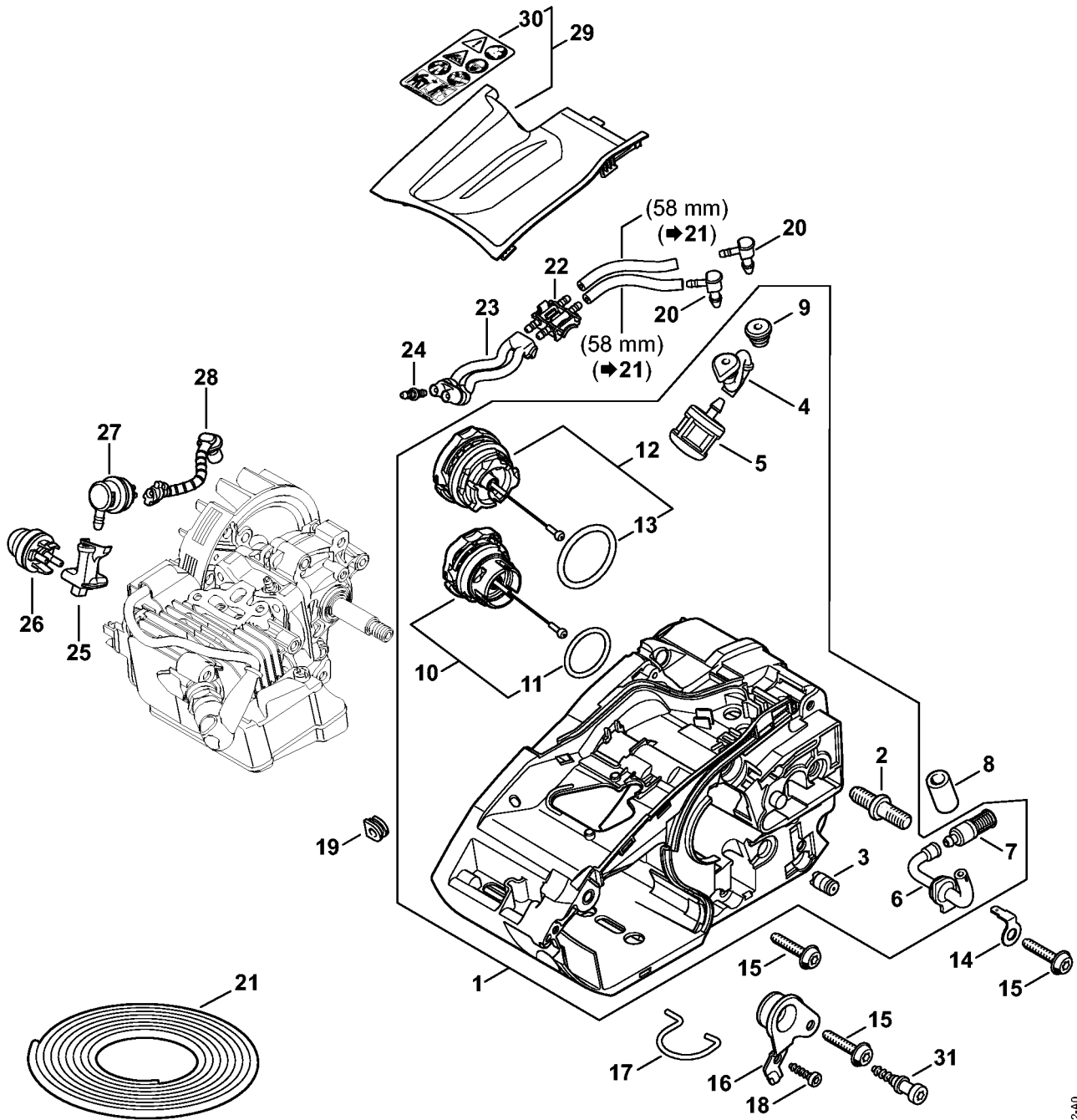
# Cylinder with piston, Ignition system

#	Part Number	Description	Quantity	Contains Item(s)	Remarks
1	1146 020 1201	Cylinder with piston Ø 34 mm	1	2 - 6	
2	1146 030 2004	Piston Ø 34 mm	1	3 - 6	
3	4237 034 3001	Piston ring Ø 34x1.2 mm	1		
4	4241 034 1500	Piston pin 8x5x22	1		
5	9463 650 0805	Snap ring 8x0.7	2		
6	9022 371 1020	Spline screw IS-M5x20	4		Binding thread
7	1146 030 0400	Crankshaft	1		
8	1146 029 2300	Cylinder gasket	1		
9	1146 020 2100	Crankcase	1	10 - 12	
10	9503 003 0102	Grooved ball bearing 6000	2		
11	0000 988 8600	Sleeve	2		
12	9640 003 0955	Oil seal 10x20x4	2		
13	9022 500 1050	Spline screw IS-M5x25	3		
14	9468 621 1000	Circlip 10x1	1		
15	1146 400 1205	Flywheel	1	16 - 19	
16	0000 998 1100	Torsion spring	2		
17	1139 195 7200	Pawl	2		
18	9460 624 0320	E-clip 3.2	2		
19	9220 260 0901	Hexagon nut M6	1		
20	1146 405 8000	Insulator	1		
21	1146 400 1303	Ignition module	1	22 - 24	
22	4144 448 1200	Lead retainer	1		
23	0000 998 0604	Spark plug contact spring	1		
24	0000 405 1005	Spark plug boot	1		
25	9291 021 0100	Washer 4.3	2		
26	9075 478 3022	Pan head self-tapping screw IS-D4x20	2		Binding thread
27	0000 400 7011	Spark plug NGK CMR6H	1		

# Cylinder with piston, Ignition system

#	Part Number	Description	Quantity	Contains Item(s)	Remarks
28	1146 140 0601	Muffler	1	29, 30	
29	1146 145 8100	Scoop	1		
30	9039 475 0656	Self-tapping screw M4x9.6	1		
31	9022 341 0960	Spline screw IS-M5x12	2		Binding thread
32	0783 830 2000	Tube of sealant HT red	1		
33	1146 007 1600	Set of gaskets	1	8, 12	

# Motor housing



1146-GET-0022-A0

# Motor housing

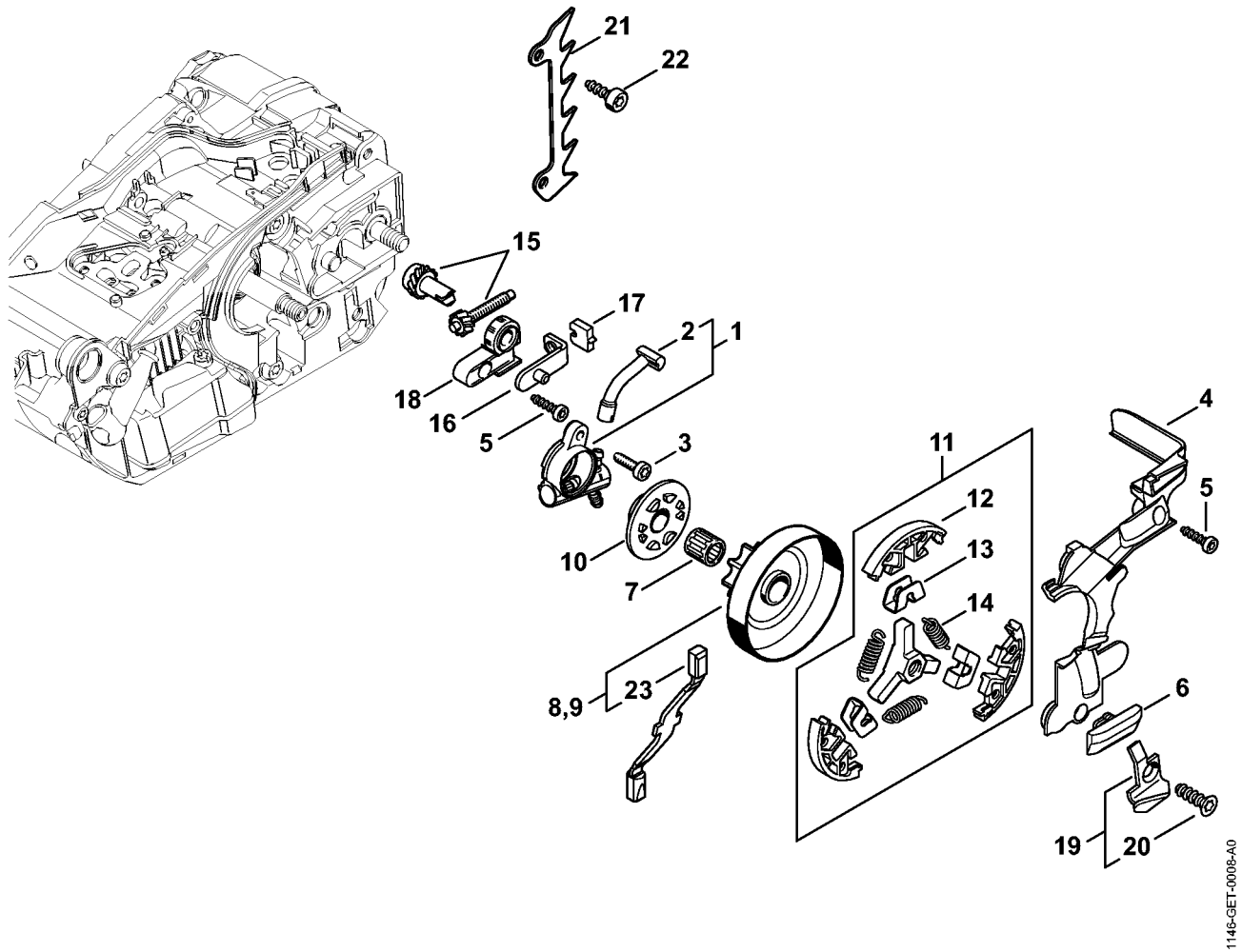
#	Part Number	Description	Quantity	Contains Item(s)	Remarks
1	1146 020 3006	Engine housing	1	2 - 7, 9 - 13	
2	1123 664 2400	Collar screw	1		
3	1128 640 9100	Valve	1		
4	1146 358 7700	Hose	1		
5	0000 350 3513	Pickup body	1		
6	1146 647 9400	Hose	1		
7	1123 640 3800	Pickup body	1		
8	0000 937 4102	Hose	1		
9	1141 989 0600	Grommet	1		
10	0000 350 0536	Filler cap	1	11	
11	9645 948 2470	O-ring 23x3	1		
12	0000 350 0534	Filler cap	1	13	
13	9645 948 7734	O-ring 25x3.5	1		
14	0751 030 8530	Connector tag	1		
15	0000 951 1102	Screw IS-D5x26	3		
16	1146 790 9900	Annular buffer	1		
17	1146 352 5000	Loop	1		
18	9074 478 3025	Pan head self-tapping screw IS-P4x16	1		
19	0000 989 0507	Grommet	1		
20	4242 353 2600	Elbow connector	2		
21	0000 937 5006	Hose 2.2x5.4 mm x 1 m, R5	1		
22	1146 353 2702	Connector	1		
23	1146 358 7703	Hose	1		
24	0000 988 5219	Connector	1		
25	1146 353 2700	Connector	1		
26	4130 350 6200	Fuel pump	1		
27	0000 350 5802	Tank vent	1		

# Motor housing

#	Part Number	Description	Quantity	Contains Item(s)	Remarks
28	1146 141 8600	Hose	1		
29	1146 020 1100	Cover	1	30	
30	0000 967 7257	Instruction label	1		
31	1129 791 6100	Screw	1		



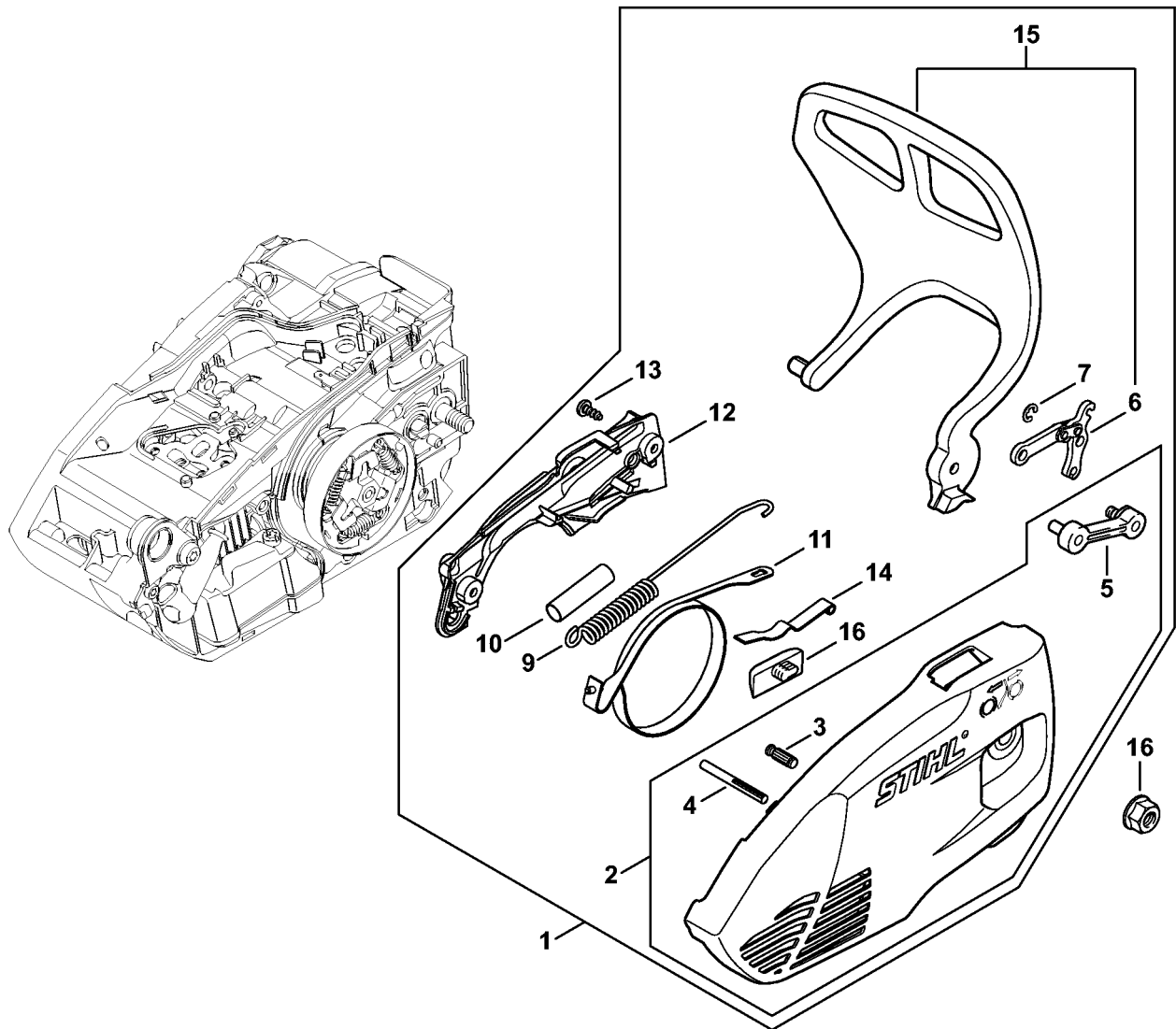
# Oil pump, Clutch



# Oil pump, Clutch

#	Part Number	Description	Quantity	Contains Item(s)	Remarks
1	1146 640 3206	Oil pump	1	2	
2	1146 647 5700	Connector	1		
3	9075 478 3016	Pan head self-tapping screw IS-D4x16	1		Binding thread
4	1146 021 1100	Cover	1		
5	9074 478 3025	Pan head self-tapping screw IS-P4x16	2		
6	1123 648 6600	Bumper strip	1		
7	9512 933 2270	Needle cage 10x13x13	1		
8	1146 640 2004	Chain sprocket 1/4" Picco 8T	1	23	
9	1146 640 2006	Chain sprocket 3/8" Picco 6T	1	23	
10	1146 640 7102	Worm gear 1/4"Picco / 3/8"Picco	1		
11	1146 160 2000	Clutch	1	12 - 14	
12	1146 162 0800	Clutch shoe	3		
13	1146 162 3000	Retainer	3		
14	0000 997 5605	Tension spring	3		
15	1129 007 1000	Spur gear / chain adjusting screw kit	1		
16	1129 640 1900	Tensioner slide	1		
17	1123 664 1400	Thrust pad	1		
18	1123 664 2200	Cover	1		
19	1146 650 7700	Chain catcher	1	20	
20	9104 003 3065	Self-tapping screw P6.3x18	1		
21	1129 664 0500	Bumper spike	1		
22	9074 477 4130	Pan head self-tapping screw IS-P5x16	2		
23	0000 893 5904	Locking strip	1		

# Chain sprocket cover

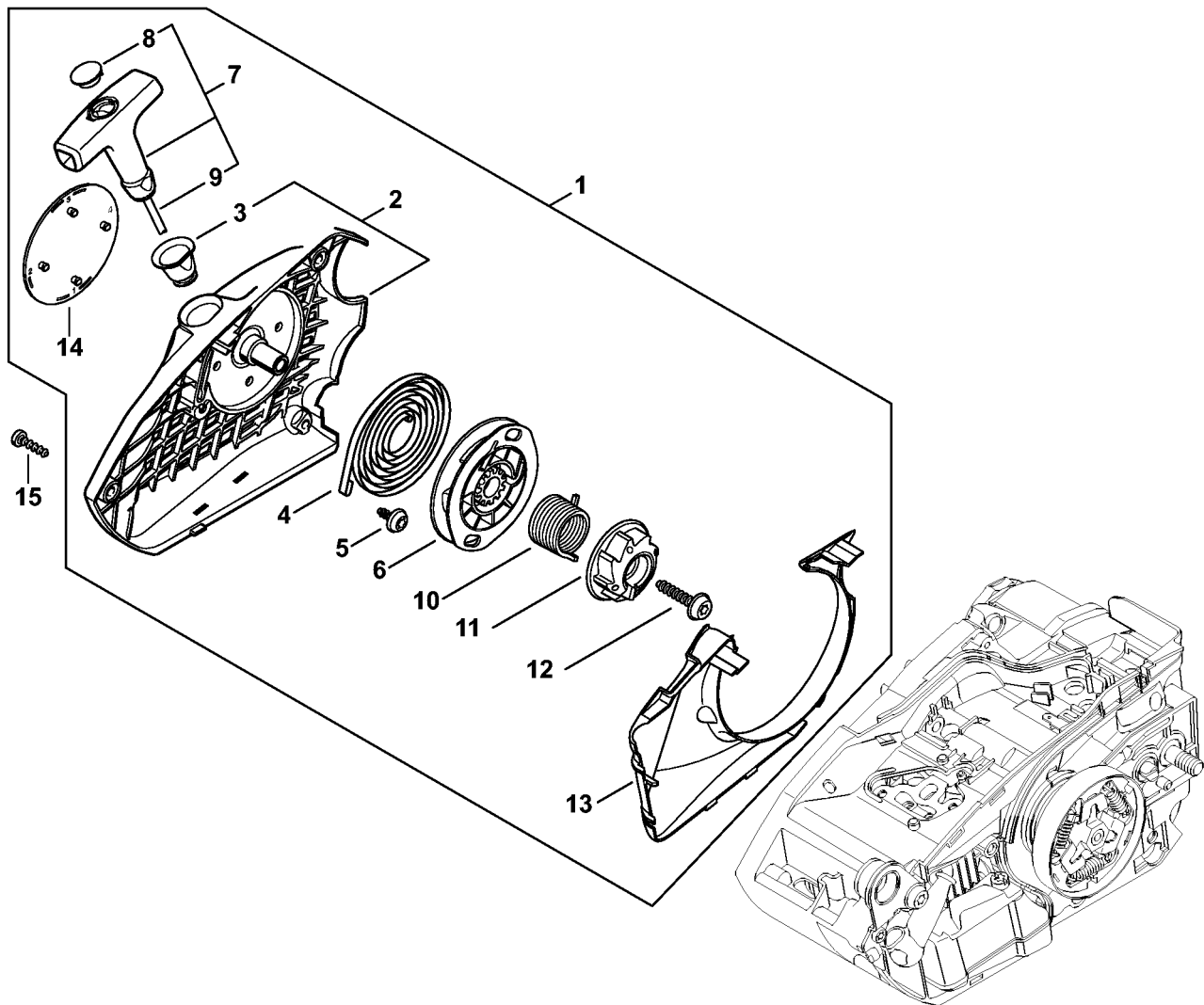


1146-GET-0024-40

# Chain sprocket cover

#	Part Number	Description	Quantity	Contains Item(s)	Remarks
1	1146 640 1700	Chain sprocket cover	1	2 - 15	
2	1146 640 1704	Chain sprocket cover	1	3 - 5	
3	1120 162 5200	Pin	1		
4	9378 543 2190	Notched pin 4x22	1		
5	1129 640 5000	Insert	1		
6	1121 160 5000	Lever	1		
7	9460 624 0400	E-clip 4	1		
8	1129 162 7800	Flat spring	1		
9	1146 162 7900	Tension spring	1		
10	0000 937 4097	Fuel hose 35 mm / 1 3/8"	1		
11	1146 160 5400	Brake band	1		
12	1146 648 7700	Cover	1		
13	9074 478 2970	Pan head self-tapping screw IS-P4x10	2		
14	1123 648 6600	Bumper strip	1		
15	1146 790 9100	Hand guard	1	6	
16	9220 260 1100	Hexagon nut M8	1		

# Rewind starter

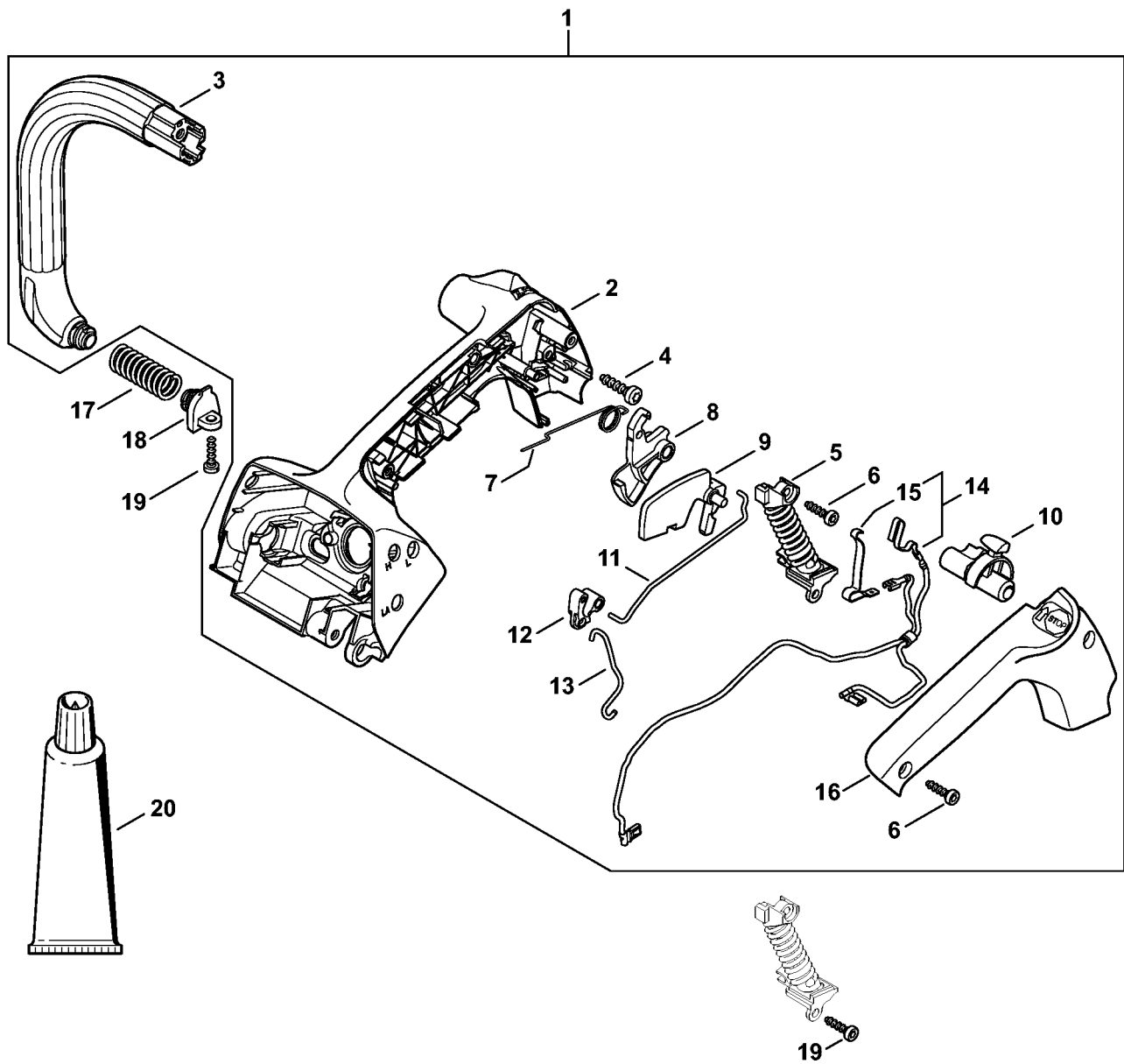


1146-GET-0011-40

# Rewind starter

#	Part Number	Description	Quantity	Contains Item(s)	Remarks
1	1146 080 2102	Fan housing with rewind starter	1	2 - 14	
2	1146 080 1800	Fan housing	1	3	
3	1110 084 9102	Bushing	1		
4	1123 190 0600	Rewind spring	1		
5	9104 003 2960	Self-tapping screw P4x10	1		
6	1146 195 0400	Rope rotor	1		
7	0000 190 3502	Grip with starter rope Ø 2.7 mm	1	8, 9	
8	0000 195 7002	Cap	1		
9	0000 195 8204	Starter rope Ø 2.7x800 mm	1		
10	1146 195 3500	Spring	1		
11	1146 195 2000	Carrier	1		
12	9074 477 4139	Pan head self-tapping screw IS-P5x25	1		
13	1146 084 7800	Segment	1		
14	1146 967 1502	Model plate MS 151 TC	1		
15	9074 478 3025	Pan head self-tapping screw IS-P4x16	3		

# Handle housing, Handlebar



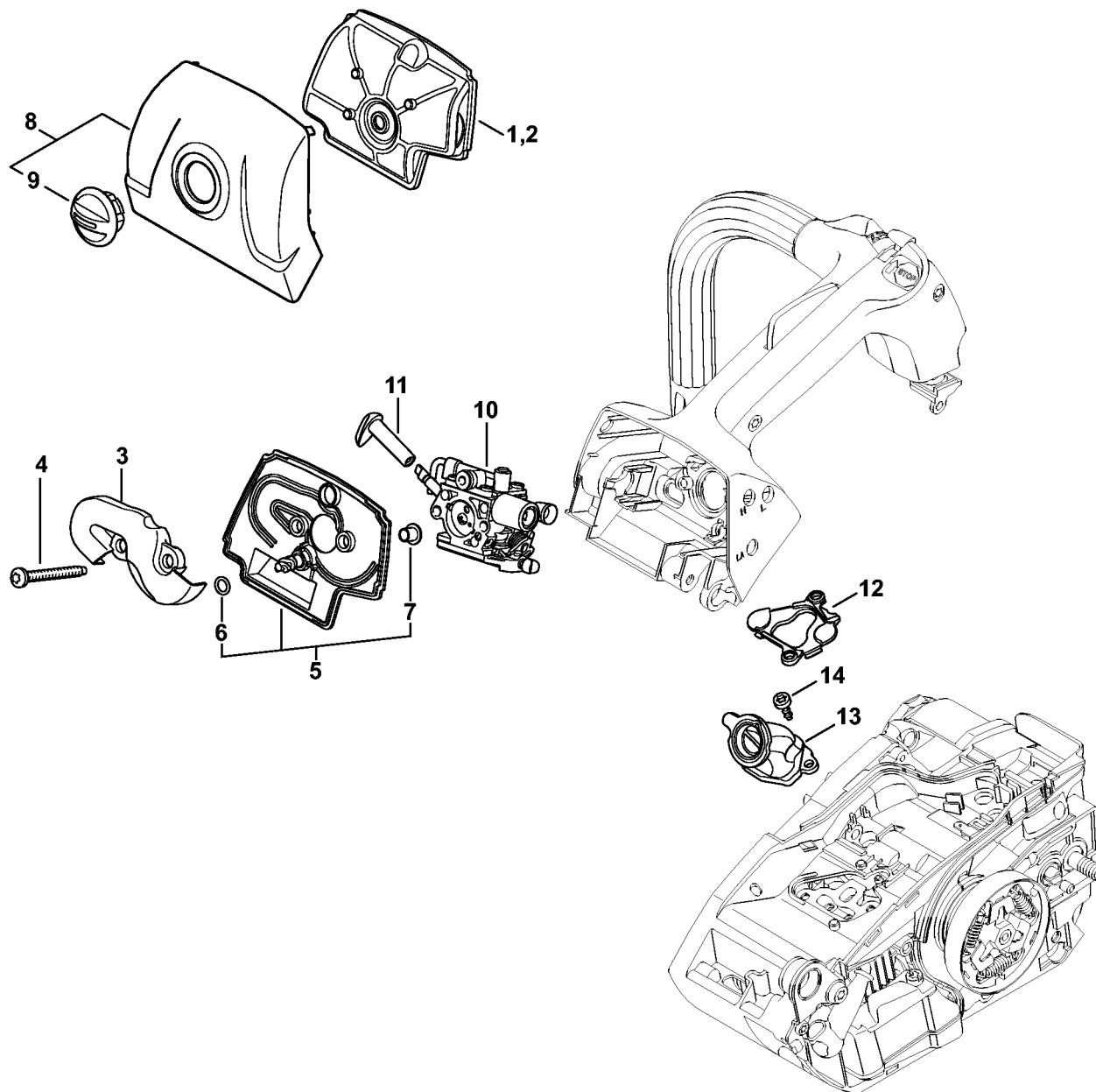
1146-GET-0026-A0

# Handle housing, Handlebar

#	Part Number	Description	Quantity	Contains Item(s)	Remarks
1	1146 790 1012	Handle housing	1	2 - 16	
2	1146 790 1002	Handle housing	1		
3	1146 791 1700	Handlebar	1		
4	9074 477 4135	Pan head self-tapping screw IS-P5x20	1		
5	1146 790 8300	AV-Spring	1		
6	9074 478 3025	Pan head self-tapping screw IS-P4x16	3		
7	1129 182 4500	Torsion spring	1		
8	1146 182 1003	Throttle trigger	1		
9	1129 182 0800	Lockout lever	1		
10	1146 180 0900	Switch shaft	1		
11	1146 182 1504	Throttle rod	1		
12	1129 182 0400	Double lever	1		
13	1146 182 1503	Throttle rod	1		
14	1146 440 3000	Wiring harness	1	15	
15	1129 442 1600	Contact spring	1		
16	1146 791 0600	Handle molding	1		
17	1146 791 3102	Spring	1		
18	1146 792 2904	AV mount	1		
19	9074 478 3025	Pan head self-tapping screw IS-P4x16	2		
20	0781 120 1109	Multipurpose grease 80 g	1		



# Air filter, Carburetor box cover

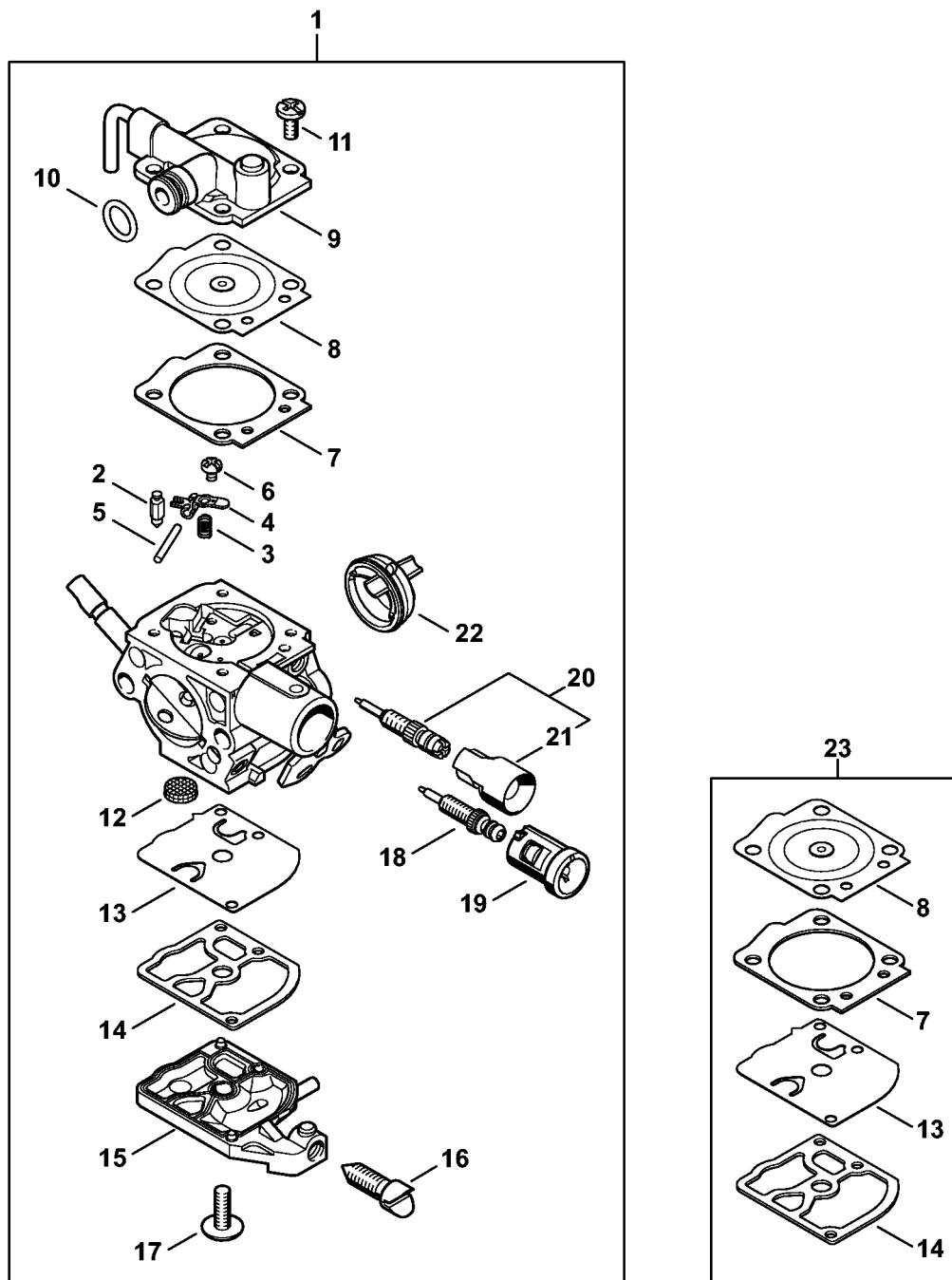


1146-GET-0027-A0

# Air filter, Carburetor box cover

#	Part Number	Description	Quantity	Contains Item(s)	Remarks
1	1146 140 4402	Air filter, fleece	1		
2	1146 140 4400	Air filter	1		
3	1146 121 6900	Baffle	1		
4	9022 500 1093	Spline screw IS-M5x44	2		
5	1146 140 1200	Filter base	1	6, 7	
6	9645 945 7444	O-ring 4x1.5	1		
7	9416 868 6531	Hollow rivet 6.5x0.5x6.8	2		
8	1146 140 1900	Carburetor box cover	1	9	
9	1137 140 9200	Twist lock	1		
10	1146 120 0605	Carburetor 1146/05	1		
11	1146 121 6100	Choke lever	1		
12	1146 021 1700	Cover	1		
13	1146 140 2500	Manifold	1		
14	9075 478 3012	Pan head self-tapping screw IS-D4x12	2		

# Carburetor 1146/05

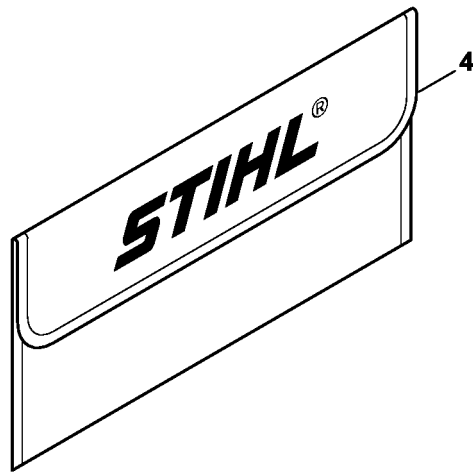
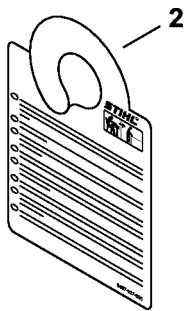
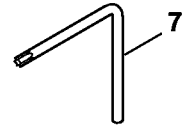
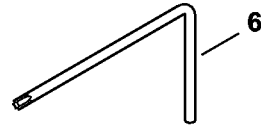
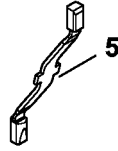
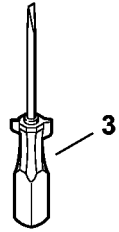
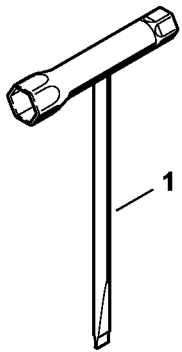


1146-GET-0020-A0

# Carburetor 1146/05

#	Part Number	Description	Quantity	Contains Item(s)	Remarks
1	1146 120 0605	Carburetor 1146/05	1	2 - 22	
2	Z000 018 Z000	Inlet needle	1		
3	1129 122 3001	Spring	1		
4	1125 121 5000	Inlet control lever	1		
5	1120 121 9200	Spindle	1		
6	0000 122 7101	Screw	1		
7	1146 129 0900	Gasket	1		
8	1146 121 4700	Metering diaphragm	1		
9	1146 121 0800	End cover	1		
10	9646 945 0490	O-ring 7x1.5	1		
11	1120 122 6601	Collar screw	4		
12	1123 121 7800	Strainer	1		
13	1129 121 4800	Pump diaphragm	1		
14	1123 129 0905	Pump gasket	1		
15	1146 120 2600	Pump cover	1		
16	1146 122 6200	Idle speed screw	1		
17	1120 122 7800	Oval head screw	1		
18	Z000 030 Z019	High speed screw	1		
19	1141 121 2704	Cap	1		
20	Z000 031 K001	Low speed screw kit	1	21	
21	0000 121 2708	Cap	1		
22	1146 141 1800	Sleeve	1		
23	1146 007 1000	Set of carburetor parts	1	7, 8, 13, 14	

# Tools, Extras

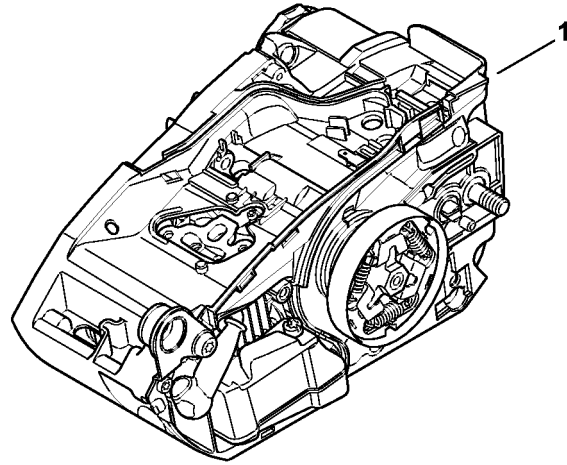


3006ET016 SC

# Tools, Extras

#	Part Number	Description	Quantity	Contains Item(s)	Remarks
1	0000 890 3402	Combination wrench	1		
2	0457 927 0002	Hang tag	1		
3	0000 890 2300	Screwdriver	1		
4	0000 891 0810	Tool roll	1		
5	0000 893 5904	Locking strip	1		
6	0812 370 1000	Screwdriver T27x120x70	1		
7	0812 370 1143	Screwdriver T20x100x50	1		

# Serial number



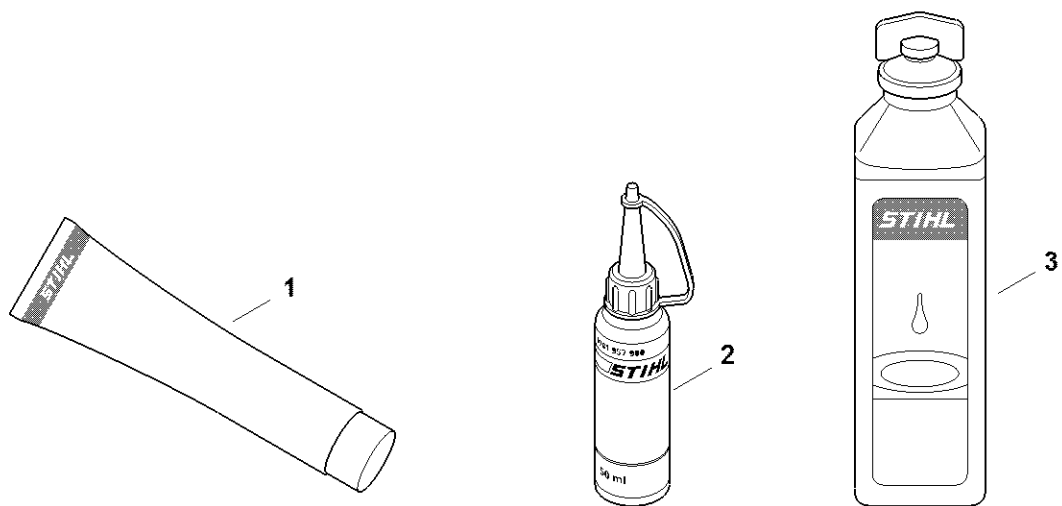
2011ET010 SC

# Serial number

#	Part Number	Description	Quantity	Contains Item(s)	Remarks
1	0000 100 0919	Position of serial number	1		



# Miscellaneous lubricants and greases

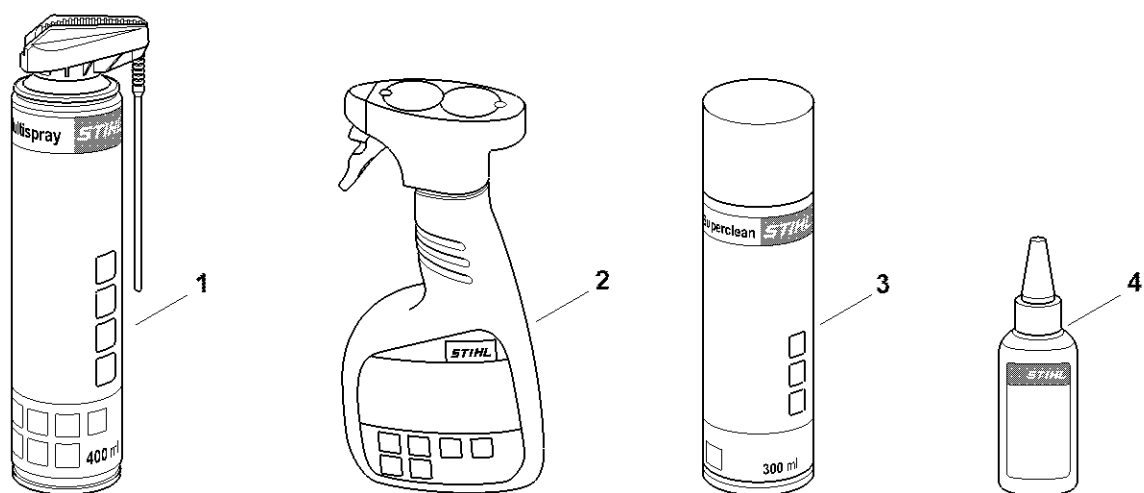


0000-GET-0170-A0

# Miscellaneous lubricants and greases

#	Part Number	Description	Quantity	Contains Item(s)	Remarks
1	0781 120 1021	STIHL Multilub 40g tube	1		
1	0781 120 1109	Multipurpose grease 80 g	1		
1	0781 120 1110	Multipurpose grease 225 g	1		
2	0781 957 9000	Press fluid OH 723	1		
3	0781 319 8401	HP 100ml	1		
3	0781 319 8052	HP Super 100ml	1		
3	0781 319 8060	HP Ultra 100ml	1		

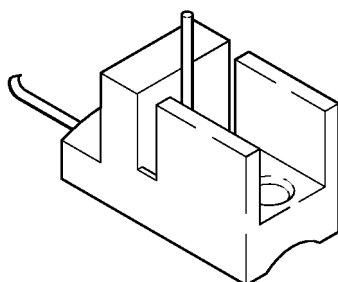
# Cleaning products



0000-GET-0171-A0

# Cleaning products

#	Part Number	Description	Quantity	Contains Item(s)	Remarks
1	0730 411 7002	Multispray 50 ml	1		
1	0730 411 7000	Multispray	1		
2	0000 881 9400	Special cleaner	1		
2	0000 881 9409	Special cleaner 5 l	1		
3	0782 420 1001	Resin solvent 50 ml	1		
3	0782 420 1002	Resin solvent 300 ml	1		
4	0782 516 8500	Multioil Bio 50 ml	1		

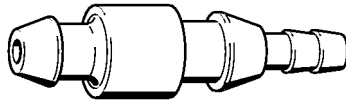


901SW006 GM

# Jaw

#	Part Number	Description	Quantity	Contains Item(s)	Remarks
	0000 890 3700	Jaw	1		

# Nipple



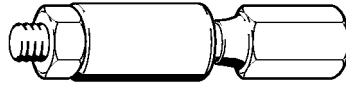
901SW008 GM

# Nipple

#	Part Number	Description	Quantity	Contains Item(s)	Remarks
	0000 855 9200	Nipple	1		



# Installing tool

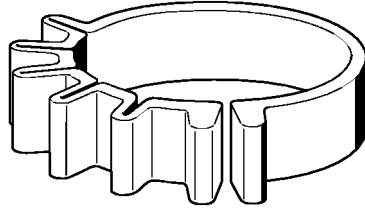


901SW009 GM

# Installing tool

#	Part Number	Description	Quantity	Contains Item(s)	Remarks
	0000 890 2201	Installing tool	1		
	9210 319 0900	Hexagon nut M6	1		

# Clamping strap

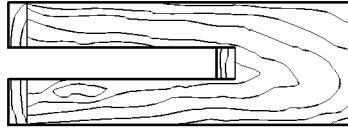


901SW011 GM

# Clamping strap

#	Part Number	Description	Quantity	Contains Item(s)	Remarks
	0000 893 2600	Clamping strap	1		

# Wooden assembly block

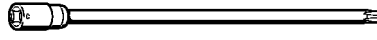


901SW022 GM

# Wooden assembly block

#	Part Number	Description	Quantity	Contains Item(s)	Remarks
	1108 893 4800	Wooden assembly block	1		

# Socket, T20x125



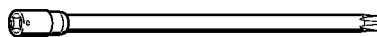
901SW090 GM

# Socket, T20x125

#	Part Number	Description	Quantity	Contains Item(s)	Remarks
	0812 542 2041	Driver bit, 1/4" square drive, T20x125	1		



# Socket, T27x125



901SW091 GM

# Socket, T27x125

#	Part Number	Description	Quantity	Contains Item(s)	Remarks
	0812 542 2104	Driver bit, 1/4" square drive, T27x125	1		

# Hose 135 mm / 5 5/16"

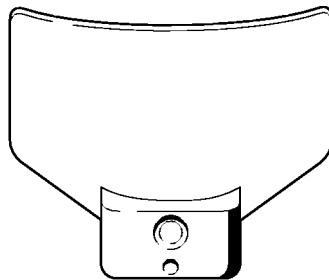


901SW100 GM

# Hose 135 mm / 5 5/16"

#	Part Number	Description	Quantity	Contains Item(s)	Remarks
	1110 141 8600	Hose 135 mm / 5 5/16"	1		

# Setting gauge



901SW107 GM

# Setting gauge

#	Part Number	Description	Quantity	Contains Item(s)	Remarks
	1111 890 6400	Setting gauge	1		

# Assembly tube



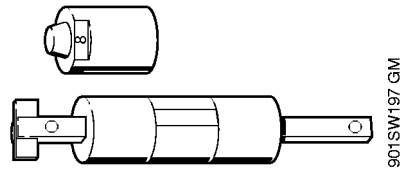
901SW112 GM

# Assembly tube

#	Part Number	Description	Quantity	Contains Item(s)	Remarks
	1117 890 0900	Assembly tube	1		



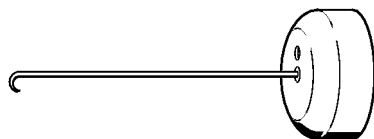
# Installing tool, 8



# Installing tool, 8

#	Part Number	Description	Quantity	Contains Item(s)	Remarks
	5910 890 2208	Installing tool, 8	1		
	5910 893 1708	Sleeve	1		

# Assembly hook

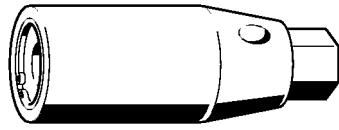


901SW205 GM

# Assembly hook

#	Part Number	Description	Quantity	Contains Item(s)	Remarks
	5910 890 2800	Assembly hook	1		

# Stud puller, M8

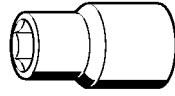


901SW209 GM

# Stud puller, M8

#	Part Number	Description	Quantity	Contains Item(s)	Remarks
	5910 893 0501	Stud puller, M8	1		

# Socket, 13 mm



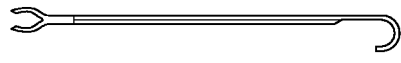
901SW217 GM

# Socket, 13 mm

#	Part Number	Description	Quantity	Contains Item(s)	Remarks
	5910 893 5608	Socket, 13 mm	1		



# Assembly hook

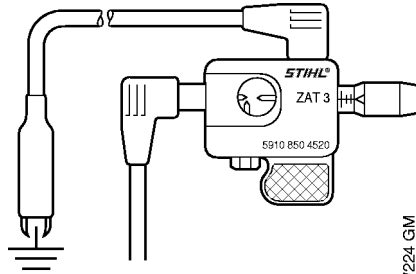


901SW221 GM

# Assembly hook

#	Part Number	Description	Quantity	Contains Item(s)	Remarks
	5910 893 8800	Assembly hook	1		

# Ignition system tester, ZAT 3

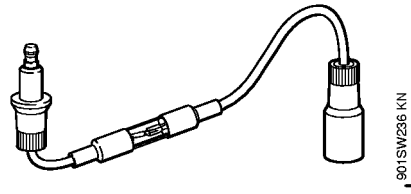


901 SW224 GM

# Ignition system tester, ZAT 3

#	Part Number	Description	Quantity	Contains Item(s)	Remarks
	5910 850 4520	Ignition system tester, ZAT 3	1		

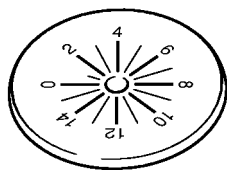
# Ignition system tester, ZAT 4



# Ignition system tester, ZAT 4

#	Part Number	Description	Quantity	Contains Item(s)	Remarks
	5910 850 4503	Ignition system tester, ZAT 4	1		

# Setting disk



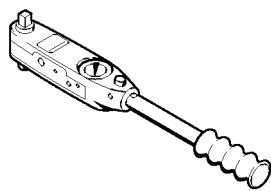
901SW287 KN

# Setting disk

#	Part Number	Description	Quantity	Contains Item(s)	Remarks
	5910 893 6600	Setting disk	1		



# Torque wrench with optical/acoustic signal

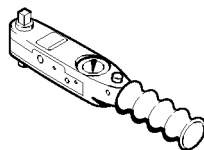


901SW290 KN

# Torque wrench with optical/acoustic signal

#	Part Number	Description	Quantity	Contains Item(s)	Remarks
	5910 890 0312	Torque wrench with optical/acoustic signal	1		

# Torque wrench with optical/acoustic signal



901SW292 KN

# Torque wrench with optical/acoustic signal

#	Part Number	Description	Quantity	Contains Item(s)	Remarks
	5910 890 0302	Torque wrench with optical/acoustic signal	1		

# Screw sleeve

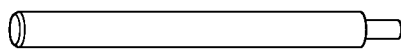


901 SW935 CIM

# Screw sleeve

#	Part Number	Description	Quantity	Contains Item(s)	Remarks
	5910 890 1800	Screw sleeve	1		

# Assembly drift



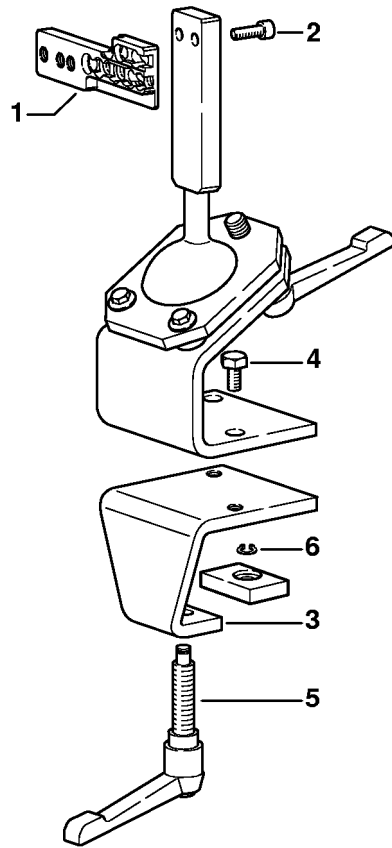
9015W355 GM

# Assembly drift

#	Part Number	Description	Quantity	Contains Item(s)	Remarks
	1130 893 4700	Assembly drift	1		



# Assembly stand

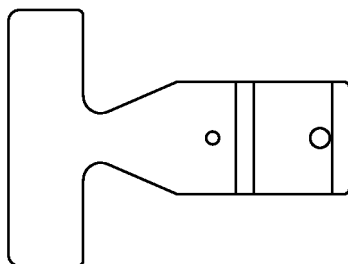


9015W363 SC

# Assembly stand

#	Part Number	Description	Quantity	Contains Item(s)	Remarks
	5910 890 3101	Assembly stand	1	1 - 6	
1	5910 850 1651	Support	1		
2	9045 319 2390	Socket head screw M10x25	2		
3	5910 850 2100	Clamping plate	1	4 - 6	
4	9008 319 2930	Hexagon head screw M12x20	2		
5	5910 890 1901	Clamp lever	1		
6	9455 621 0850	Circlip 10x1	1		

# Setting gauge

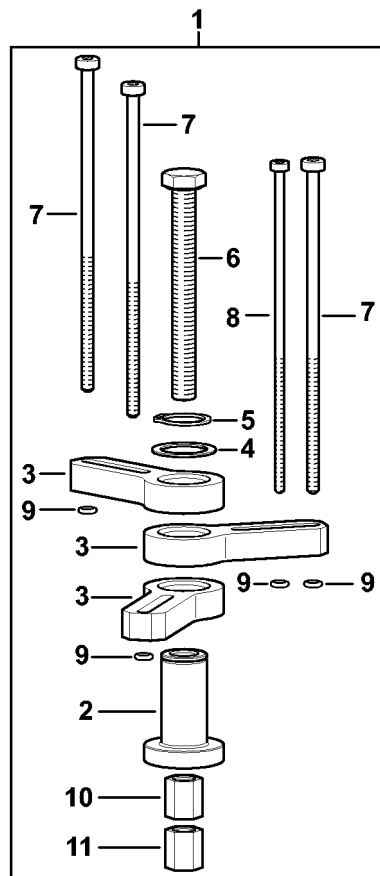


901SW605 SC

# Setting gauge

#	Part Number	Description	Quantity	Contains Item(s)	Remarks
	0000 890 6401	Setting gauge	1		

# Puller

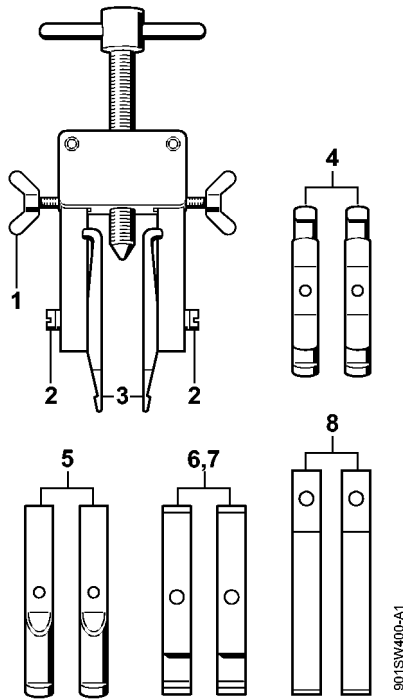


5910-GET-0009-A1

# Puller

#	Part Number	Description	Quantity	Contains Item(s)	Remarks
1	5910 890 4505	Puller	1	2 - 11	
2	5910 893 1712	Sleeve	1		
3	5910 895 0700	Extension arm	3		
4	0000 958 0206	Washer	1		
5	9455 621 2150	Circlip 20x1.2	1		
6	9010 346 2545	Hexagon head screw DIN933-M10x1x95-10.9	1		
7	9022 346 1200	Spline screw IS-M5x145x60-10.9	3		
8	9022 346 0852	Spline screw IS-M4x145x60-10.9	1		
9	9646 945 0160	O-ring 4x2	4		
10	5910 895 0900	Guide piece D8	1		
11	5910 895 0901	Guide piece D10	1		

# Puller

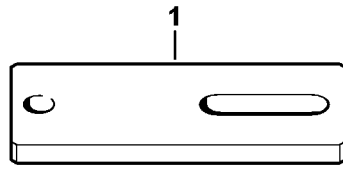


# Puller

#	Part Number	Description	Quantity	Contains Item(s)	Remarks
	5910 890 4400	Puller	1	1 - 8	
1	9157 691 0980	Wing screw M5x16	2		
2	9044 319 0980	Pan head screw M5x16	2		
3	0000 893 3700	Jaw (profile No. 1 and 2)	2		
4	0000 893 3706	Jaw (profile No. 3.1 and 4)	2		
5	0000 893 3711	Jaw (profile No. 6)	2		
6	0000 893 3703	Jaw (profile No. 7)	2		
7	0000 893 3704	Jaw (profile No. 8)	2		
8	0000 893 3707	Jaw (profile No. 9)	2		



# Flange

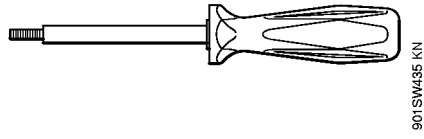


5610-GET-0013-A1

# Flange

#	Part Number	Description	Quantity	Contains Item(s)	Remarks
	5910 855 4206	Flange	1		

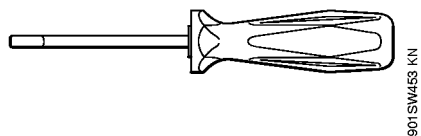
# Puller



# Puller

#	Part Number	Description	Quantity	Contains Item(s)	Remarks
	5910 890 4502	Puller	1		

# Punchdown tool



# Punchdown tool

#	Part Number	Description	Quantity	Contains Item(s)	Remarks
	5910 890 4000	Punchdown tool	1		

# Locking strip



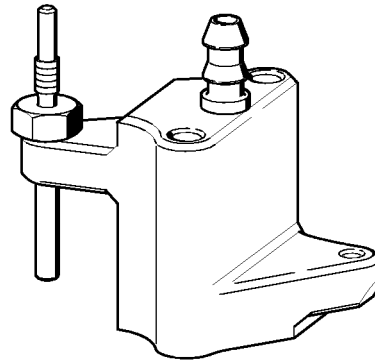
9015W474 SC

# Locking strip

#	Part Number	Description	Quantity	Contains Item(s)	Remarks
	0000 893 5904	Locking strip	1		



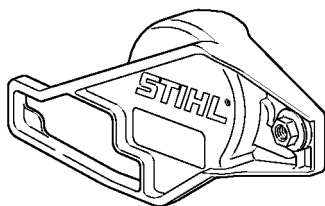
# Flange



901 SW475 KN

# Flange

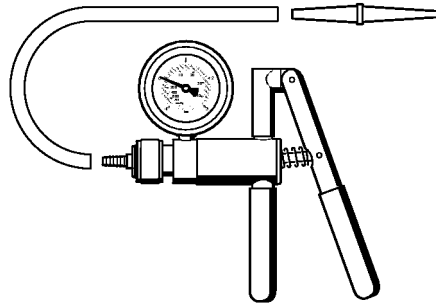
#	Part Number	Description	Quantity	Contains Item(s)	Remarks
	5910 850 4203	Flange	1		



9015W485 GM

# Cover

#	Part Number	Description	Quantity	Contains Item(s)	Remarks
	5910 890 3201	Cover	1		



901SW486 GM

# Pump

#	Part Number	Description	Quantity	Contains Item(s)	Remarks
	0000 850 1300	Pump	1		
	0000 855 9201	Nipple	1		
	0000 855 0100	Hose	1		

# Stud puller, M8-7,5



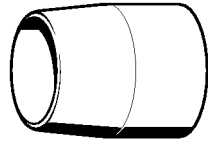
901SW502 GM

# Stud puller, M8-7,5

#	Part Number	Description	Quantity	Contains Item(s)	Remarks
	5910 890 3000	Stud driver M8-7.5	1		



# Installing sleeve

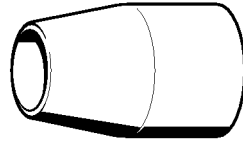


901S1W514 KN

# Installing sleeve

#	Part Number	Description	Quantity	Contains Item(s)	Remarks
	1146 893 4600	Installing sleeve	1		

# Installing sleeve



901SW515 KN

# Installing sleeve

#	Part Number	Description	Quantity	Contains Item(s)	Remarks
	1146 893 4601	Installing sleeve	1		

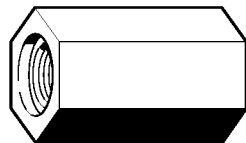


901SWE16 KN

# Sleeve

#	Part Number	Description	Quantity	Contains Item(s)	Remarks
	5910 893 1710	Sleeve	1		

# Screw sleeve



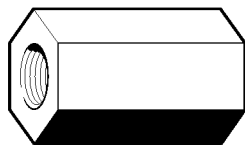
901SW517 KN

# Screw sleeve

#	Part Number	Description	Quantity	Contains Item(s)	Remarks
	5910 893 2403	Screw sleeve	1		



# Screw sleeve

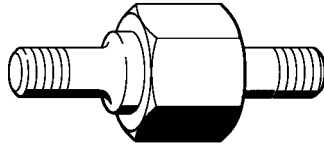


901SW518 KN

# Screw sleeve

#	Part Number	Description	Quantity	Contains Item(s)	Remarks
	5910 893 2404	Screw sleeve	1		

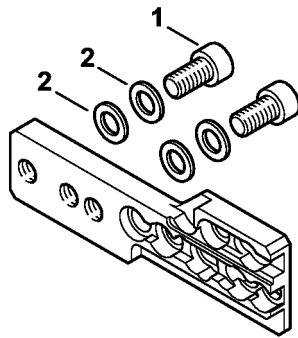
# Collar screw



901SW521 KN

# Collar screw

#	Part Number	Description	Quantity	Contains Item(s)	Remarks
	5910 893 9601	Collar screw	1		
	5910 893 9600	Collar screw	1		

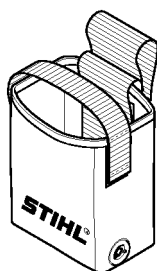


9015W547 SC

# Support

#	Part Number	Description	Quantity	Contains Item(s)	Remarks
	5910 850 1651	Support	1	1, 2	
<b>1</b>	9045 319 2390	Socket head screw M10x25	2		
<b>2</b>	9291 021 3870	Washer 10.5x20x1.5	4		

# Adapter, battery-to-analyzer AAD 1



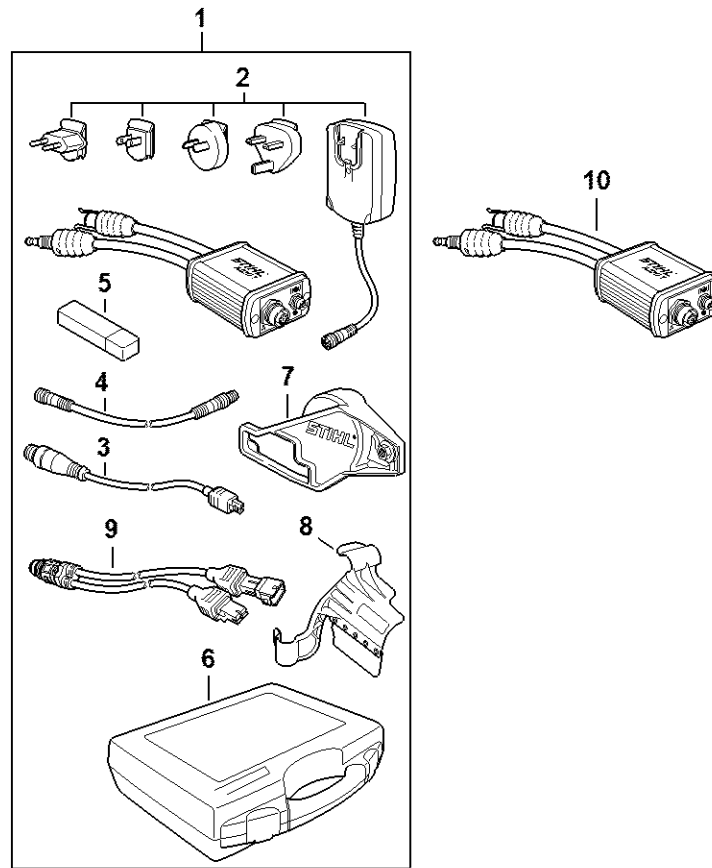
901SW657 SC

# Adapter, battery-to-analyzer AAD 1

#	Part Number	Description	Quantity	Contains Item(s)	Remarks
	5910 840 2300	Adapter, battery-to-analyzer AAD 1	1		



# Diagnostic unit MDG 1

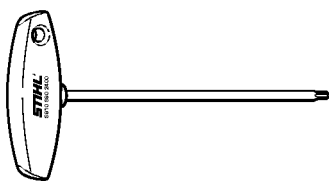


591D-GSW-0010-A4

# Diagnostic unit MDG 1

#	Part Number	Description	Quantity	Contains Item(s)	Remarks
1	5910 840 0210	Diagnostic unit MDG 1	1	2 - 9	
2	5910 840 1400	Power supply	1		
3	5910 840 0408	Diagnosis cable M-Tronic	1		
4	5910 440 2000	Connecting cable	1		
5	5910 840 1501	Bluetooth USB stick	1		
6	5910 900 4102	Case	1		
7	5910 890 3201	Cover	1		
8	5910 890 3200	Cover	1		
9	5910 840 0405	Diagnosis cable	1		

# Screwdriver, T27x150

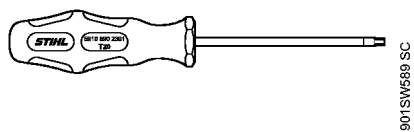


901SW575 KN

# Screwdriver, T27x150

#	Part Number	Description	Quantity	Contains Item(s)	Remarks
	5910 890 2400	Screwdriver, T27x150	1		

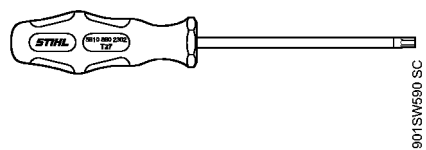
# Screwdriver, T20



# Screwdriver, T20

#	Part Number	Description	Quantity	Contains Item(s)	Remarks
	5910 890 2301	Screwdriver, T20	1		

# Screwdriver, T27x150

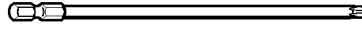


# Screwdriver, T27x150

#	Part Number	Description	Quantity	Contains Item(s)	Remarks
	5910 890 2302	Screwdriver, T27x150	1		



# Socket, T20x140

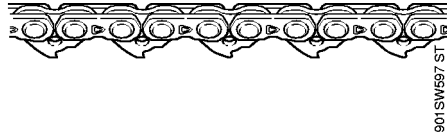


901SW696 SC

# Socket, T20x140

#	Part Number	Description	Quantity	Contains Item(s)	Remarks
	0812 540 1016	Driver bit, 1/4" hex drive, T20x140	1		

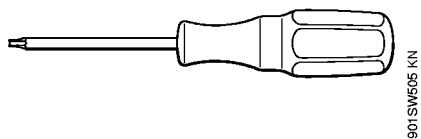
# Chain without cutters 1/4" P 1.1 (30 cm / 12")



## Chain without cutters 1/4" P 1.1 (30 cm / 12")

#	Part Number	Description	Quantity	Contains Item(s)	Remarks
	3114 000 0064	Chain without cutters 1/4" P 1.1 (30 cm / 12")	1		

# Screwdriver, T8



# Screwdriver, T8

#	Part Number	Description	Quantity	Contains Item(s)	Remarks
	5910 890 2310	Screwdriver, T8	1		