

MS 881

Spare Parts List

01/31/2022

United Kingdom, English

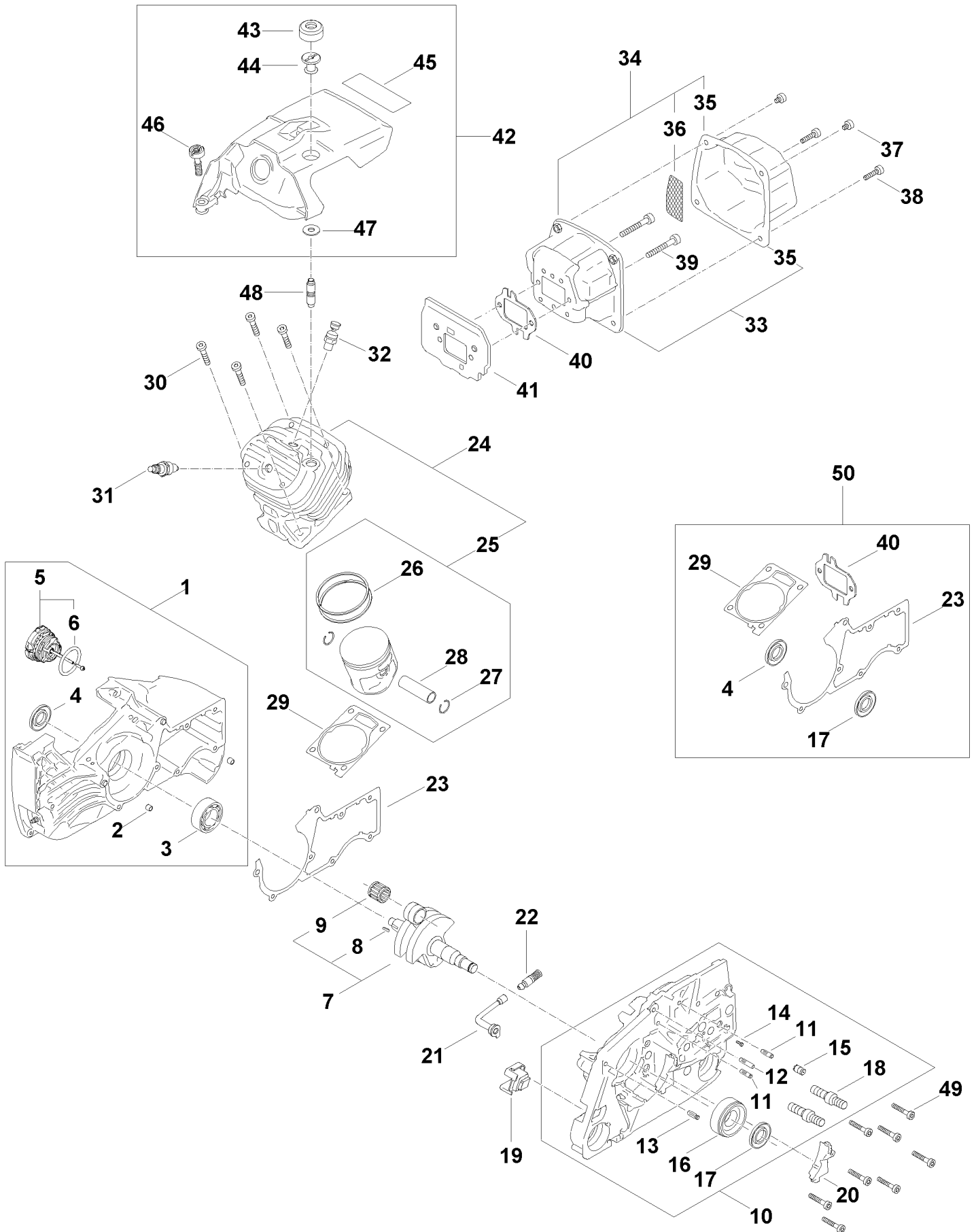
Contents

Crankcase, Cylinder, Muffler, Shroud	3	Socket, 17 mm	68
Clutch, Oil pump, Chain brake	6	Socket, 21 mm	70
Rewind starter, Ignition system	10	Assembly hook	72
Tank housing, Filter, AV system, Handlebar MS 881	13	Puller	74
Carburetor parts	17	Sleeve	76
Tools	20	Sleeve	78
Serial number	22	Locking strip	80
Miscellaneous lubricants and greases	24	Screwdriver	82
Cleaning products	26	Setting disk	84
Nipple	28	Torque wrench with optical/acoustic signal	86
Clamping strap	30	Torque wrench	88
Flange	32	Torque wrench with optical/acoustic signal	90
Puller	34	Torque wrench	92
Wooden assembly block	36	Jaw (profile No. 1 and 2)	94
Assembly drift	38	Jaw (profile No. 3.1 and 4)	96
Flange	40	Screw sleeve	98
Socket, T27x125	42	Drilled plate	100
Hose 135 mm / 5 5/16"	44	Screw sleeve	102
Assembly tube	46	Screw sleeve	104
Base	48	Screw sleeve	106
Installing plate	50	Screw sleeve	108
Installing sleeve	52	Plug	110
Press arbor	54	Assembly stand	112
Press sleeve	56	Clamping plate	114
Installing tool, 13	58	Tachometer EDT 9	116
Assembly hook	60	Spindle ZS	118
Stud puller, M10	62	Drilled plate	120
Installing plate	64	Puller	122
Socket, 13 mm	66	Nipple	124

Contents

Testing tool kit	126
Pump	128
Stud puller, M10-13	130
Support	132
Adapter, battery-to-analyzer AAD 1	134
Diagnostic unit MDG 1	136
Screwdriver, T27x150	138
Service tool AS	140
Chain without cutters .404" 1.6 (53 cm / 21")	142
Setting gauge	144
Sleeve	146
Puller	148
Installing tool AS	150
Installing tool LS	152
Piston support	154
Collar screw	156

Crankcase, Cylinder, Muffler, Shroud



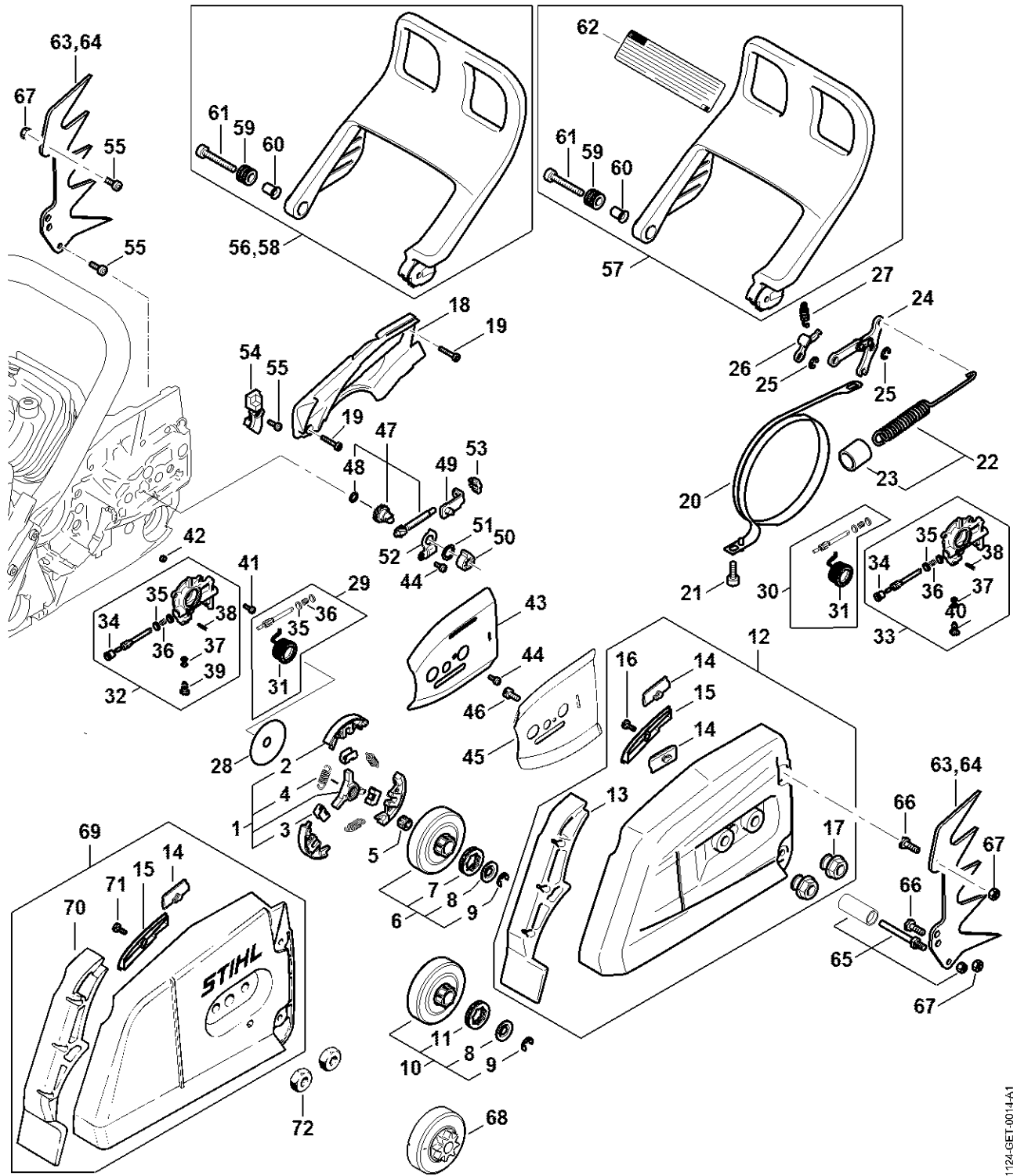
Crankcase, Cylinder, Muffler, Shroud

#	Part Number	Description	Quantity	Contains Item(s)	Remarks
1	1124 020 2604	Crankcase, fan side	1	2 - 6	
2	0000 988 8600	Sleeve	2		
3	9503 003 6676	Grooved ball bearing 6203	1		
4	9640 003 1855	Oil seal 17x32.9x5	1		
5	0000 350 0533	Filler cap	1	6	
6	9645 948 7734	O-ring 25x3.5	1		
7	1124 030 0406	Crankshaft	1	8, 9	
8	1120 036 8500	Woodruff key 2x3.7	1		
9	9512 003 3440	Needle cage 13 x17x17.5	1		
10	1124 020 2906	Crankcase	1	11 - 18	
11	1121 162 5200	Pin	2		
12	1121 162 5205	Pin	1		
13	1120 162 5200	Pin	1		
14	0000 974 1200	Notched pin 2.6x8	1		
15	1124 640 9100	Valve	1		
16	9523 003 4386	Grooved ball bearing 20x47x15	1		
17	9640 003 2250	Oil seal B20x39x4	1		
18	1124 664 2406	Collar screw	2		
19	1124 791 2800	Stop buffer	1		
20	1124 021 1116	Cover	1		
21	1122 647 9400	Hose	1		
22	1117 640 3800	Pickup body	1		
23	1124 029 0502	Gasket	1		
24	1124 020 1211	Cylinder with piston Ø 60 mm	1	25 - 28	
25	1124 030 2006	Piston Ø 60 mm	1	26 - 28	
26	1124 034 3010	Piston ring Ø 60x1.2 mm	2		
27	9463 650 1300	Snap ring 13x1	2		

Crankcase, Cylinder, Muffler, Shroud

#	Part Number	Description	Quantity	Contains Item(s)	Remarks
28	1124 034 1501	Piston pin 13x8x39	1		
29	1124 029 2301	Cylinder gasket	1		
30	9022 341 1370	Spline screw IS-M6x30	4		Binding thread
31	1110 400 7005	Spark plug Bosch WSR 6 F	1		
32	1124 020 9401	Decompression valve	1		
33	1124 140 0607	Muffler	1	35	
35	1124 145 0801	Exhaust casing	1		
37	9022 341 0911	Spline screw IS-M5x6	2		Micro-encapsulated with binding thread
38	9022 399 1020	Spline screw IS-M5x20	2		Micro-encapsulated with binding thread
39	9022 341 1090	Spline screw IS-M5x40	2		Binding thread
40	1124 149 0602	Muffler gasket	1		
41	1124 141 3200	Cooling plate	1		
42	1124 080 1607	Shroud	1	43 - 47	
43	1121 084 6901	Insulator	1		
44	1121 084 7000	Slotted nut	1		
45	1124 084 8300	Reflector foil	1		
46	9022 319 1027	Screw IS-M5x21	2		
47	1124 084 3000	Shim	1		
48	0000 953 0818	Stud M5	1		
49	9022 341 0900	Spline screw IS-M5x28	8		Binding thread
50	1124 007 1600	Set of gaskets	1	4, 17, 23, 29, 40	

Clutch, Oil pump, Chain brake



1124-GET0014-41

Clutch, Oil pump, Chain brake

#	Part Number	Description	Quantity	Contains Item(s)	Remarks
1	1124 160 2005	Clutch	1	2 - 4	
2	1124 162 0805	Clutch shoe	3		
3	1124 162 3000	Retainer	3		
4	0000 997 5818	Tension spring	3		
5	9512 933 3170	Needle cage 12x17x13	1		
6	1124 007 2500	Rim sprocket kit .404" 7T	1	7 - 9	
7	0000 642 1207	Rim sprocket 0.404" 7T	1		
8	0000 958 1236	Washer	1		
9	9460 624 1001	E-clip 10x1.5	1		
10	1124 007 2501	Rim sprocket kit 3/8" 8T	1	8, 9, 11	
11	0000 642 1216	Rim sprocket 3/8" 8T	1		
12	1124 640 1709	Chain sprocket cover	1	13 - 17	
13	1124 656 1501	Guard	1		
14	1121 648 6610	Bumper strip	2		
15	1124 656 2800	Cover plate	1		
16	9076 478 2965	Self-tapping screw A4x10	1		
17	0000 995 0805	Collar nut M10	2		
18	1124 021 1121	Cover	1		
19	9022 313 0660	Spline screw IS-M4x12	2		Binding thread
20	1124 160 5400	Brake band	1		
21	9022 346 0658	Spline screw IS-M4x12	1		Micro-encapsulated with binding thread
22	1124 160 5500	Tension spring	1	23	
23	1125 162 8002	Hose 20 mm / 13/16"	1		
24	1124 160 5000	Lever	1		
25	9460 624 0400	E-clip 4	2		
26	1121 162 5010	Lever	1		

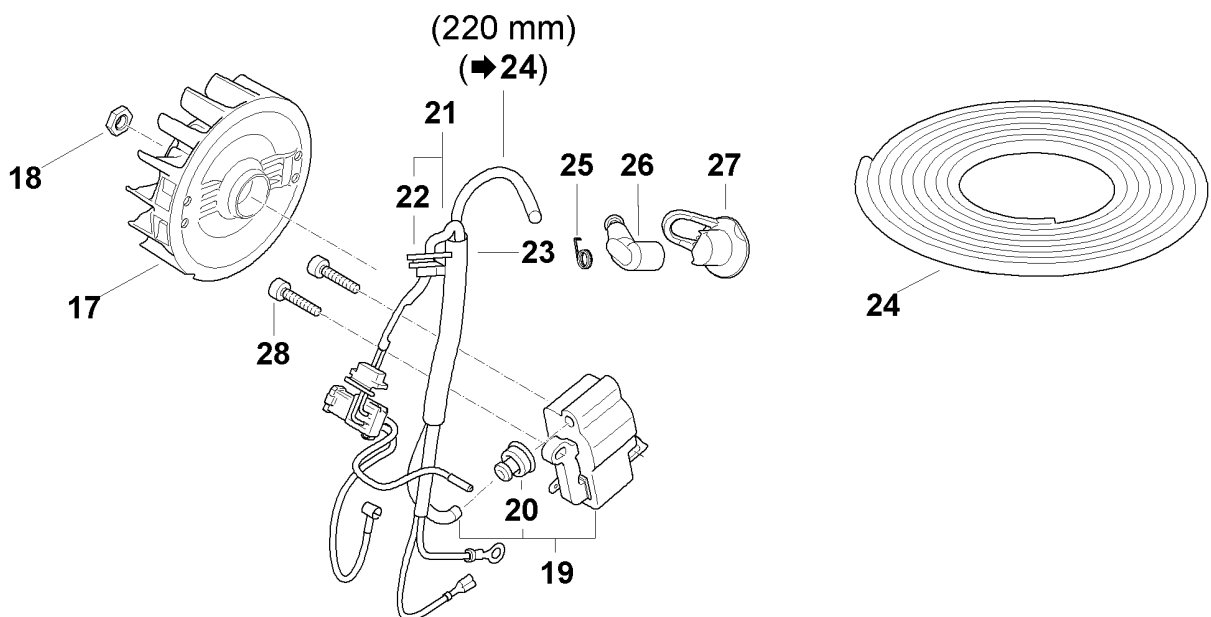
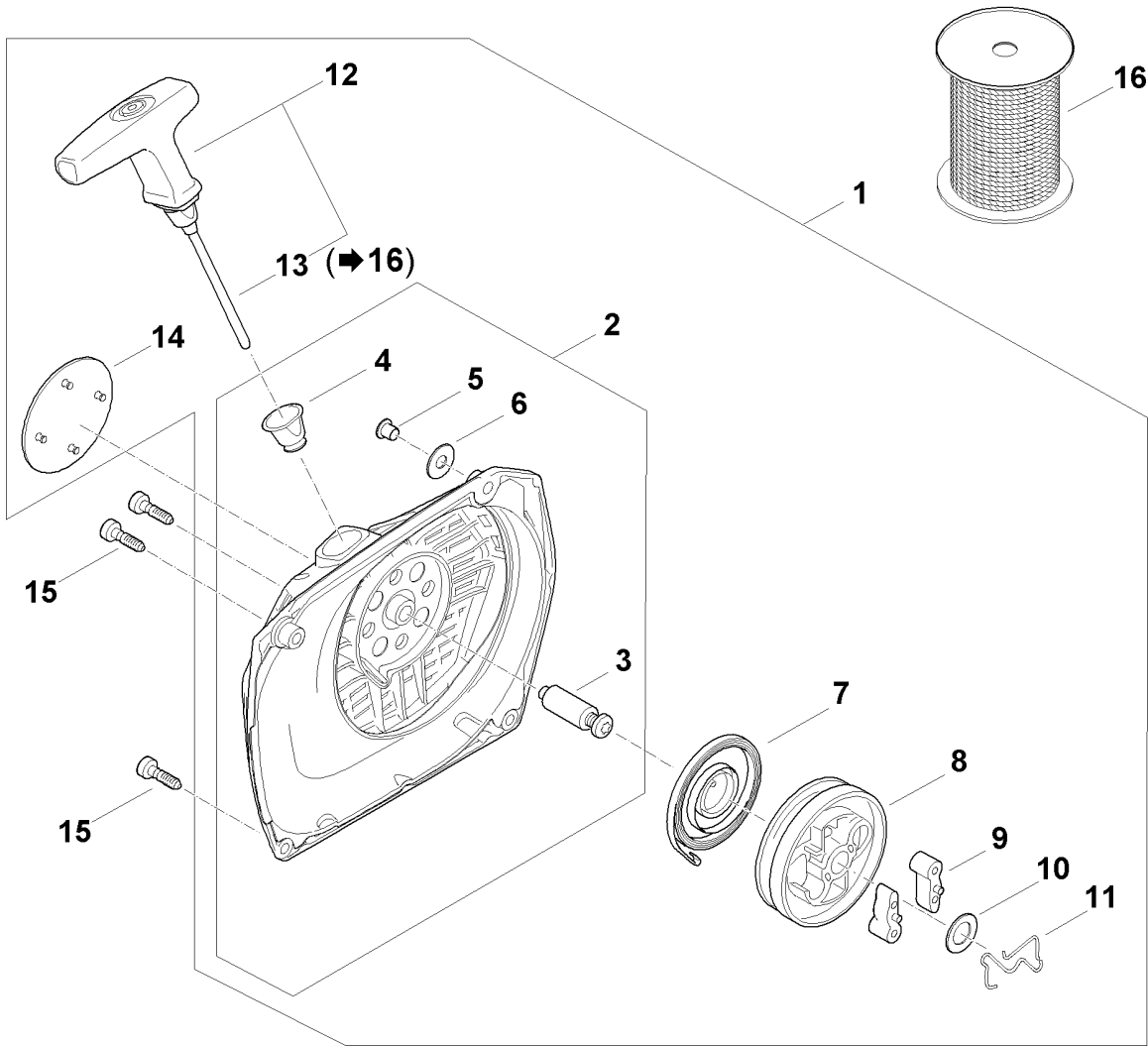
Clutch, Oil pump, Chain brake

#	Part Number	Description	Quantity	Contains Item(s)	Remarks
27	0000 997 0628	Spring	1		
28	1124 162 8901	Washer	1		
29	1124 007 1030	Pump piston/worm kit	1	31, 35, 36	
30	1124 007 1031	Pump piston/worm kit	1	31, 35, 36	
31	1124 640 7100	Worm gear	1		
32	1124 640 3204	Oil pump (1.2 mm stroke)	1	34 - 39	
33	1124 640 3206	Oil pump (1.6 mm stroke)	1	34 - 38, 40	
34	1125 641 9400	Bearing bushing	1		
35	0000 958 0611	Washer	2		
36	0000 997 0629	Compression spring	1		
37	9646 945 0160	O-ring 4x2	2		
38	9380 620 1090	Roll pin 2x10	1		
39	1142 647 4800	Control bolt	1		
40	1124 647 4802	Control bolt	1		
41	9022 346 0658	Spline screw IS-M4x12	3		Micro-encapsulated with binding thread
42	1122 649 5000	Sealing ring B4x2	1		
43	1124 664 1001	Inner side plate	1		
44	9022 313 0633	Spline screw IS-M4x8	2		Binding thread
45	1124 664 1100	Outer side plate	1		
46	9039 488 0340	Self-tapping screw M3x8	1		
47	1124 007 1008	Spur gear / chain adjusting screw kit	1	48	
48	9646 945 0490	O-ring 7x1.5	1		
49	1124 640 1900	Tensioner slide	1		
50	1124 664 4500	Support	1		
51	1124 664 5300	Spring washer	1		
52	1124 664 2210	Cover plate	1		

Clutch, Oil pump, Chain brake

#	Part Number	Description	Quantity	Contains Item(s)	Remarks
53	1124 664 1400	Thrust pad	1		
54	1124 664 3600	Deflector	1		
55	9022 341 1310	Spline screw IS-M6x18	2		Binding thread
56	1124 790 9101	Hand guard	1	59 - 61	
59	1124 792 5505	Bushing	1		
60	1124 792 5500	Bushing	1		
61	9022 341 1080	Spline screw IS-M5x35	1		Binding thread
63	1124 664 0502	Bumper spike	2		
65	1124 650 7700	Chain catcher	1		
66	9008 319 1280	Hexagon head screw M6x16	2		
67	9214 320 0900	Lock nut M6	3		
68	1124 640 2002	Chain sprocket 3/8" 8T	1		
69	1124 640 1702	Chain sprocket cover	1	14, 15, 70, 71	
70	1124 656 1505	Guard	1		
71	9099 021 2770	Self-tapping screw 3.9x13	1		
72	0000 955 0903	Nut M10	2		

Rewind starter, Ignition system



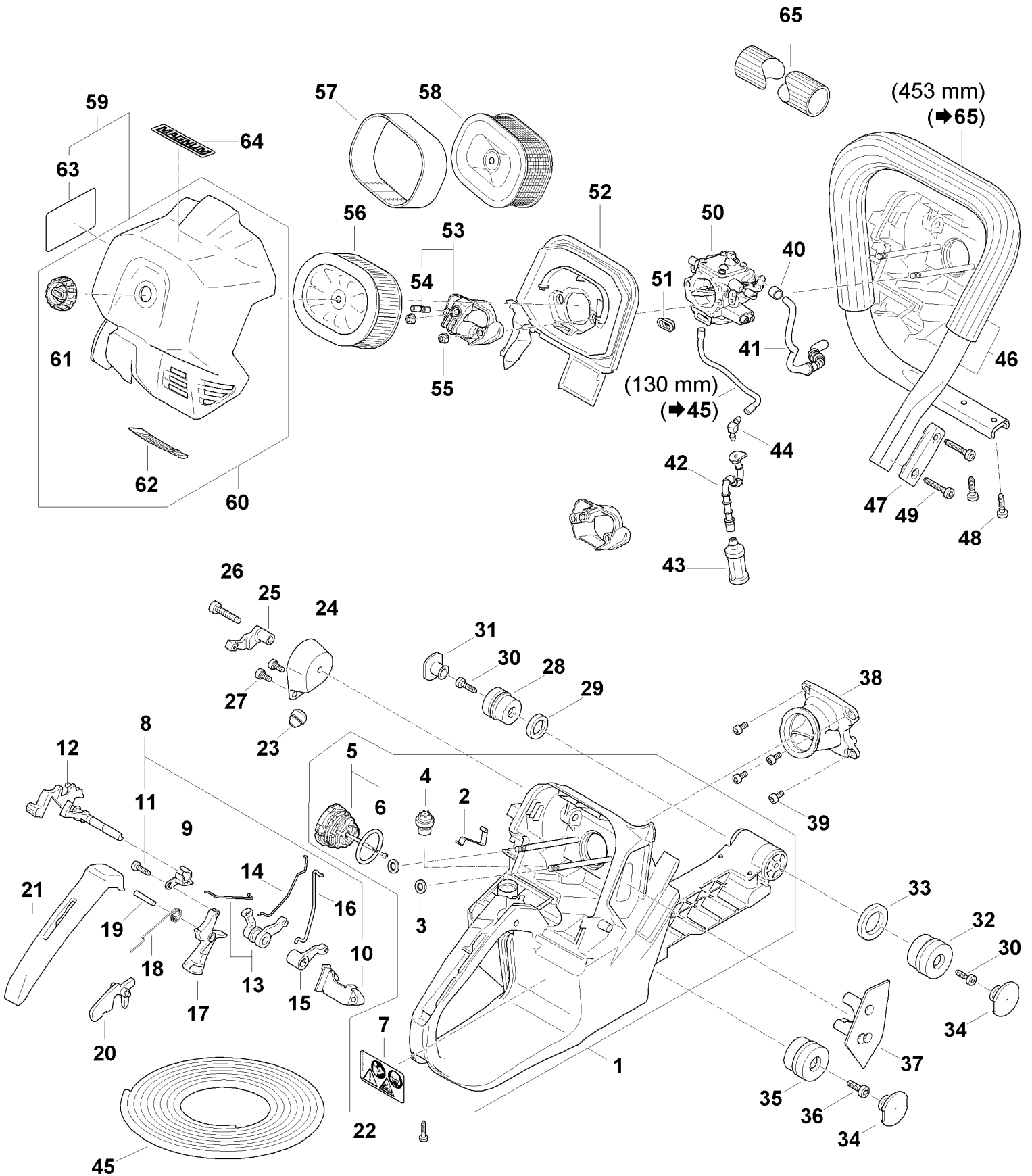
Rewind starter, Ignition system

#	Part Number	Description	Quantity	Contains Item(s)	Remarks
1	1124 080 2102	Fan housing with rewind starter	1	2 - 14	
2	1124 080 1803	Fan housing	1	3 - 6	
3	1122 084 6502	Axle	1		
4	1110 084 9102	Bushing	1		
5	9416 868 6530	Hollow rivet 6.5x0.5x6.8	1		
6	0000 958 0607	Washer	1		
7	1135 190 0600	Rewind spring	1		
8	1122 195 0400	Rope rotor	1		
9	1124 195 7200	Pawl	2		
10	1119 162 8925	Washer Ø 12 mm	1		
11	1124 195 3500	Spring	1		
12	1122 190 3400	Starter grip ElastoStart Ø 4,5 mm	1	13	
13	1122 190 2900	Starter rope Ø 4.5 mm	1		
14	1124 967 1503	Model plate MS 881	1		
15	9022 371 1020	Spline screw IS-M5x20	3		Binding thread
16	0000 930 2268	Starter rope Ø 4.5mm / 28 pieces	1		
17	1124 400 1201	Flywheel	1		
18	9211 260 1340	Hexagon nut M10x1	1		
19	1124 400 1314	Ignition module	1	20	
20	0000 989 1002	Grommet	1		
21	1124 440 3001	Wiring harness	1	22	
22	1124 989 1000	Grommet	2		
23	1124 405 8002	Insulator	1		
24	0000 405 0600	Ignition lead 1 m	1		
24	0000 930 2251	Ignition lead 10 m	1		
25	0000 998 0604	Spark plug contact spring	1		
26	1128 405 1000	Spark plug boot	1		

Rewind starter, Ignition system

#	Part Number	Description	Quantity	Contains Item(s)	Remarks
27	1140 084 1601	Spark plug boot cover	1		
28	9022 341 0710	Spline screw IS-M4x20	2		micro-encapsulated

Tank housing, Filter, AV system, Handlebar MS 881



Tank housing, Filter, AV system, Handlebar MS 881

#	Part Number	Description	Quantity	Contains Item(s)	Remarks
1	1124 350 0808	Tank housing	1	2 - 7	
2	1124 442 1600	Contact spring	1		
3	0000 958 0513	Washer	2		
4	0000 350 5800	Tank vent	1		
5	0000 350 0533	Filler cap	1	6	
6	9645 948 7734	O-ring 25x3.5	1		
7	0000 967 7247	Warning pictogram MS	1		
8	1124 790 5300	Bearing	1	9 - 11	
9	1124 182 4401	Bearing	1		
10	1124 182 4400	Mount	1		
11	9074 478 3076	Pan head self-tapping screw IS-P4x19	2		
12	1124 182 0901	Switch shaft	1		
13	1124 180 4050	Double lever	1		
14	1124 182 1505	Throttle rod	1		
15	1124 185 2000	Choke lever	1		
16	1124 185 1900	Choke rod	1		
17	1124 182 1000	Throttle trigger	1		
18	1117 182 4500	Torsion spring	1		
19	9371 470 2640	Cylindrical pin 5x24	1		
20	1117 182 0805	Lockout lever	1		
21	1124 791 0600	Handle molding	1		
22	9074 478 3076	Pan head self-tapping screw IS-P4x19	1		
23	1125 791 2810	Stop buffer	1		
24	1124 790 9920	Annular buffer	1		
25	1124 791 7605	Support	1		
26	9022 341 1400	Spline screw IS-M6x40	1		Binding thread

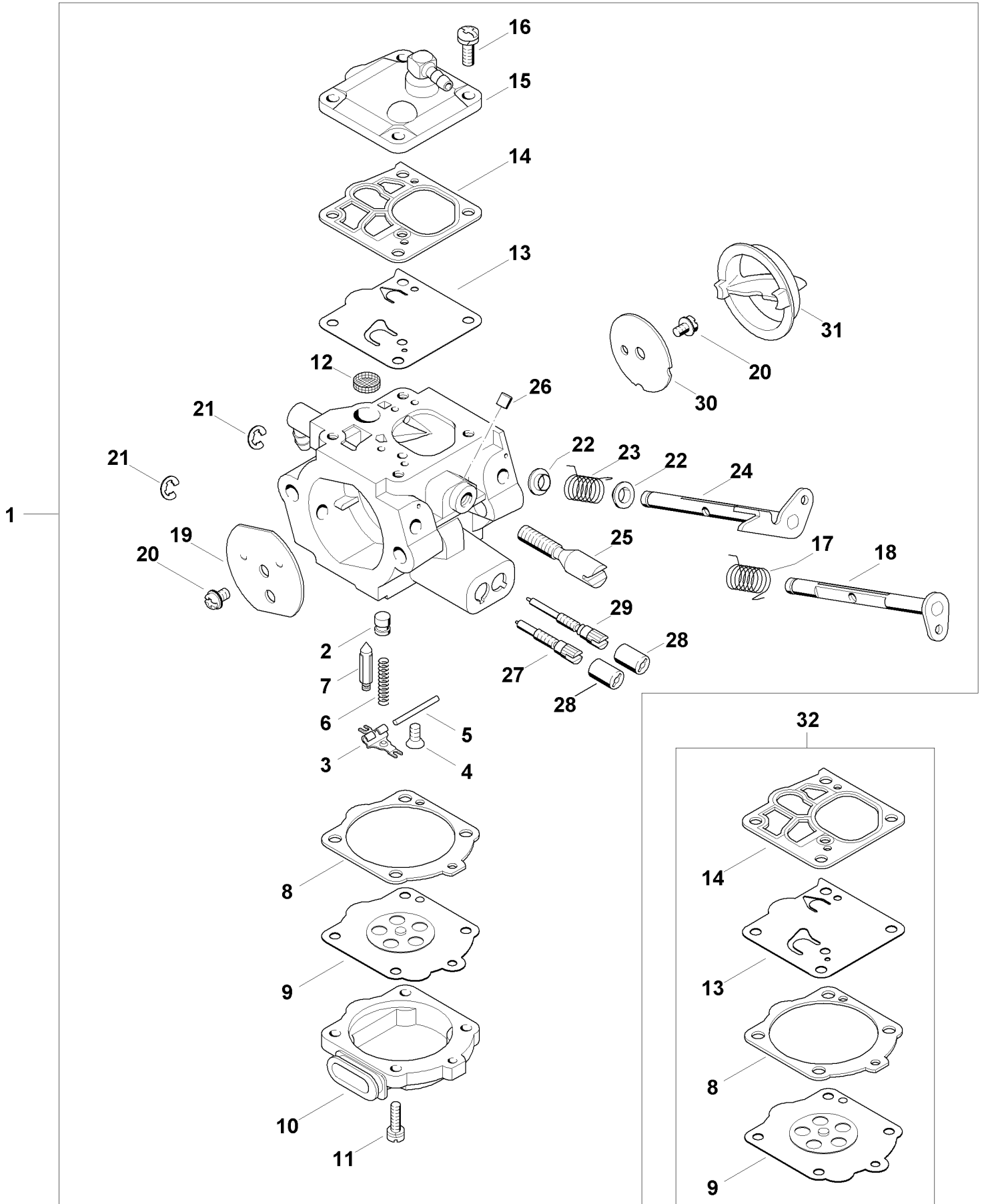
Tank housing, Filter, AV system, Handlebar MS 881

#	Part Number	Description	Quantity	Contains Item(s)	Remarks
27	9022 341 0962	Spline screw IS-M5x12	2		Micro-encapsulated with binding thread
28	1121 790 9912	Annular buffer	1		
29	1119 791 8400	Ring	1		
30	9074 478 4435	Pan head self-tapping screw IS-P6x19	2		
31	1119 791 7306	Plug	1		
32	1124 790 9901	Annular buffer	1		
33	1124 791 8400	Ring	1		
34	1124 791 7300	Plug	2		
35	1124 790 9908	Annular buffer	1		
36	9022 341 1310	Spline screw IS-M6x18	1		Binding thread
37	1124 123 7503	Grommet	1		
38	1124 140 2500	Manifold	1		
39	9022 313 0660	Spline screw IS-M4x12	4		Binding thread
40	1125 647 8200	Sleeve	1		
41	1124 141 8603	Impulse hose	1		
42	1124 358 7700	Hose	1		
43	0000 350 3518	Pickup body	1		
44	4224 122 3900	Elbow connector	1		
45	0000 937 5004	Hose 3.1x5.7 mm x 1 m, R5	1		
46	1124 790 1500	Handlebar with hose	1	66	
47	1124 791 5105	Handlebar stiffener	1		
48	9074 478 4475	Pan head self-tapping screw IS-P6x21.5	2		
49	9074 478 4675	Pan head self-tapping screw IS-P6x32.5	2		
50	1124 120 0614	Carburetor WG-14	1		
51	1124 121 9100	Bushing	1		
52	1124 141 0900	Air filter base	1		

Tank housing, Filter, AV system, Handlebar MS 881

#	Part Number	Description	Quantity	Contains Item(s)	Remarks
53	1124 120 4101	Intake baffle	1	54	
54	9121 319 0960	Stud M5x12x9	2		
55	9216 261 0700	Hexagon nut M5	2		
56	0000 140 4407	Air filter HD2	1		
57	0000 141 0601	Prefilter	1		
58	0000 120 1653	Air filter, wire mesh	1		
60	1124 140 1003	Filter cover	1	61, 62	
61	1124 140 9500	Twist lock	1		
62	1144 141 4000	Slide	1		
65	0000 791 2005	Handle hose Ø 23 mm x 5m / 1x197"	1		

Carburetor parts



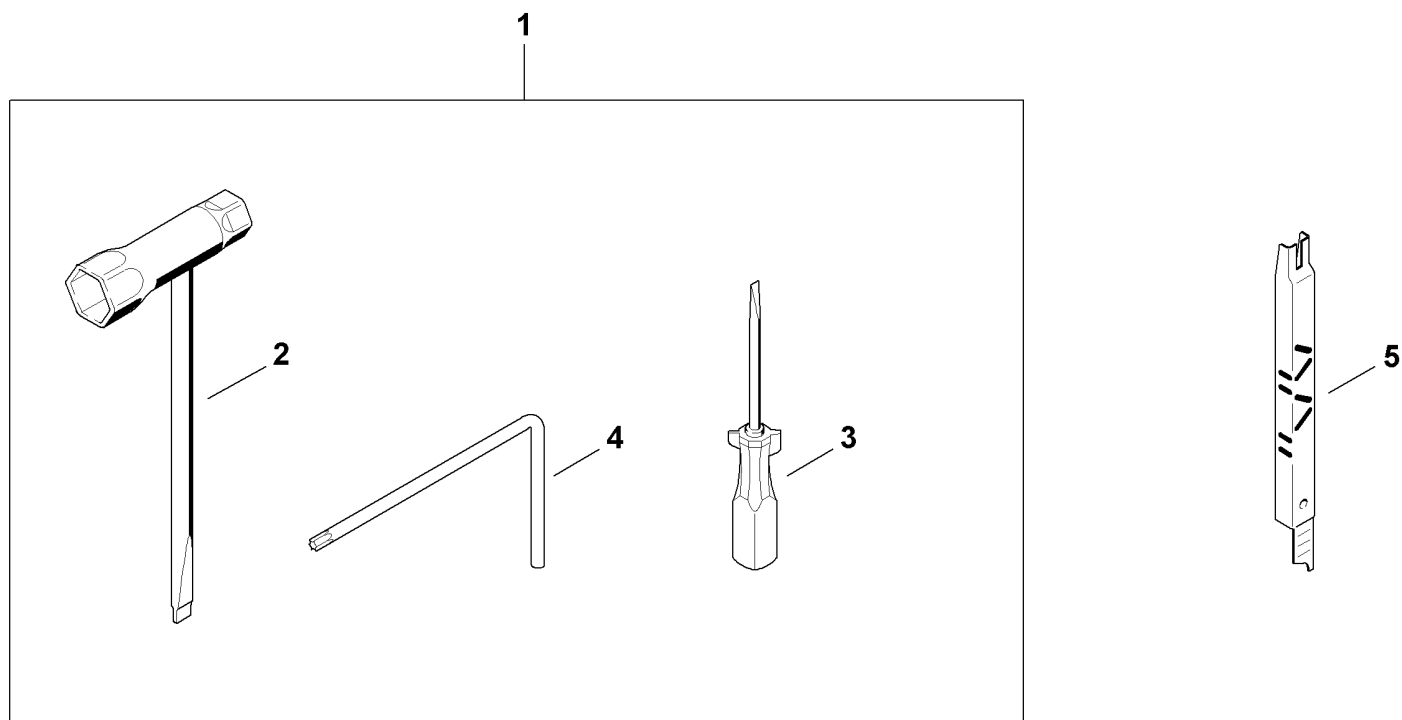
Carburetor parts

#	Part Number	Description	Quantity	Contains Item(s)	Remarks
1	1124 120 0614	Carburetor WG-14	1	2 - 31	
2	1124 121 5610	Fixed jet	1		
3	1117 121 5000	Inlet control lever	1		
4	1114 122 7400	Round head screw	1		
5	1117 121 9200	Spindle	1		
6	1124 122 3002	Spring	1		
7	4116 121 5100	Inlet needle	1		
8	1116 129 0900	Gasket	1		
9	1144 121 4700	Metering diaphragm	1		
10	1124 121 0804	End cover	1		
11	1124 122 7400	Round head screw	4		
12	1114 121 7800	Strainer	1		
13	1115 121 4800	Pump diaphragm	1		
14	1115 129 1100	Gasket	1		
15	1124 120 2600	Pump cover	1		
16	1115 122 7100	Round head screw	4		
17	1124 122 3203	Torsion spring	1		
18	1124 120 7202	Choke shaft with lever	1		
19	1124 121 2901	Choke shutter	1		
20	4224 122 7801	Oval head screw	2		
21	1117 122 9000	E-clip	2		
22	1124 121 8700	Bushing	2		
23	1124 122 3204	Torsion spring	1		
24	1124 120 7101	Throttle shaft with lever	1		
25	1124 122 6201	Idle speed screw	1		
26	1122 121 7700	Clamp	1		
27	1124 120 6700	High speed screw	1		

Carburetor parts

#	Part Number	Description	Quantity	Contains Item(s)	Remarks
28	0000 121 2701	Cap	2		
29	1124 120 6800	Low speed screw	1		
30	1124 121 3302	Throttle shutter	1		
31	1124 121 9400	Ring	1		
32	1144 007 1700	Set of carburetor parts	1	8, 9, 13, 14	

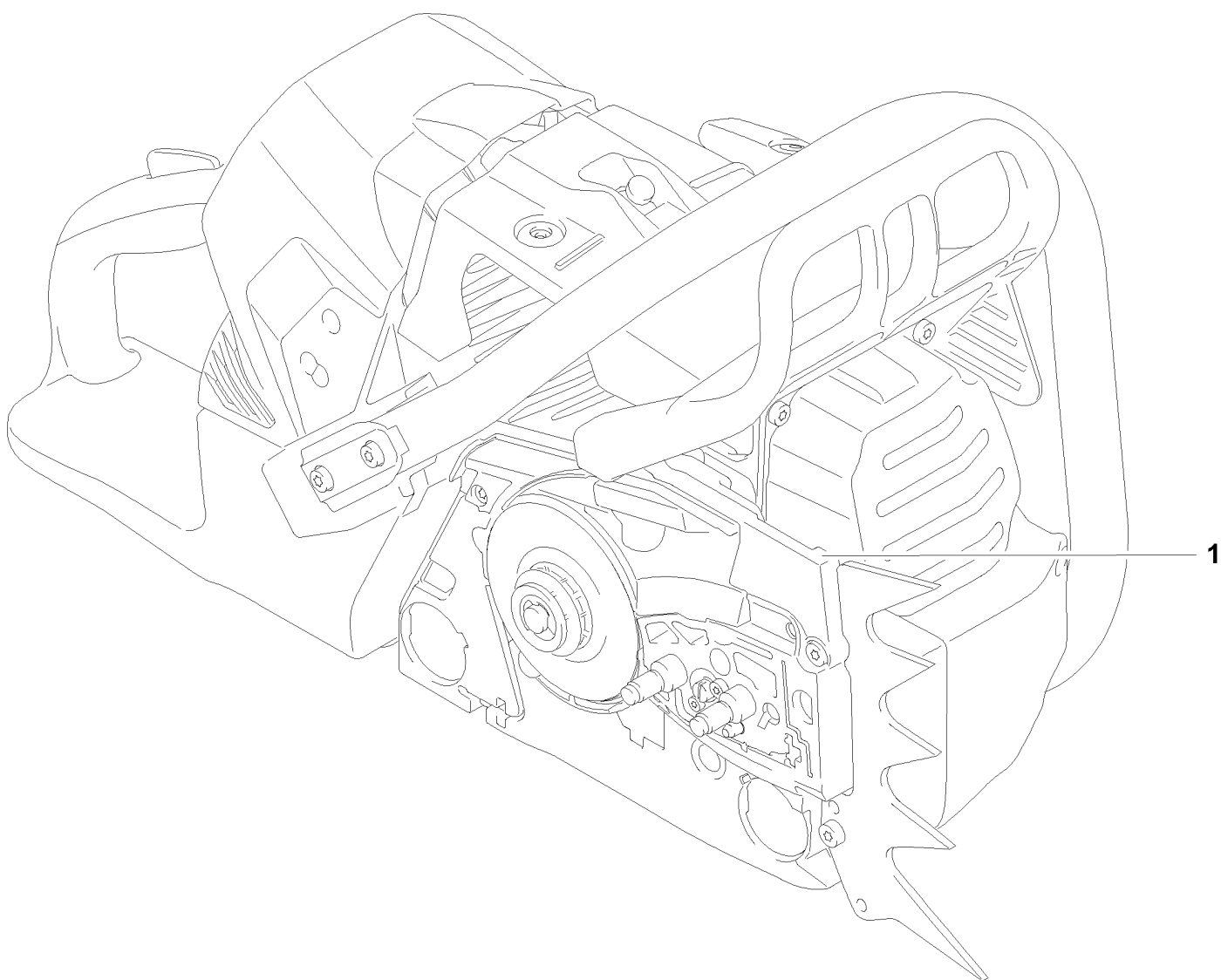
Tools



Tools

#	Part Number	Description	Quantity	Contains Item(s)	Remarks
1	1140 890 1401	Tool kit	1	2 - 4	
2	1142 890 3401	Combination wrench	1		
3	0000 890 2300	Screwdriver	1		
4	0812 370 1000	Screwdriver T27x120x70	1		
5	1110 893 4000	Filing gauge	1		

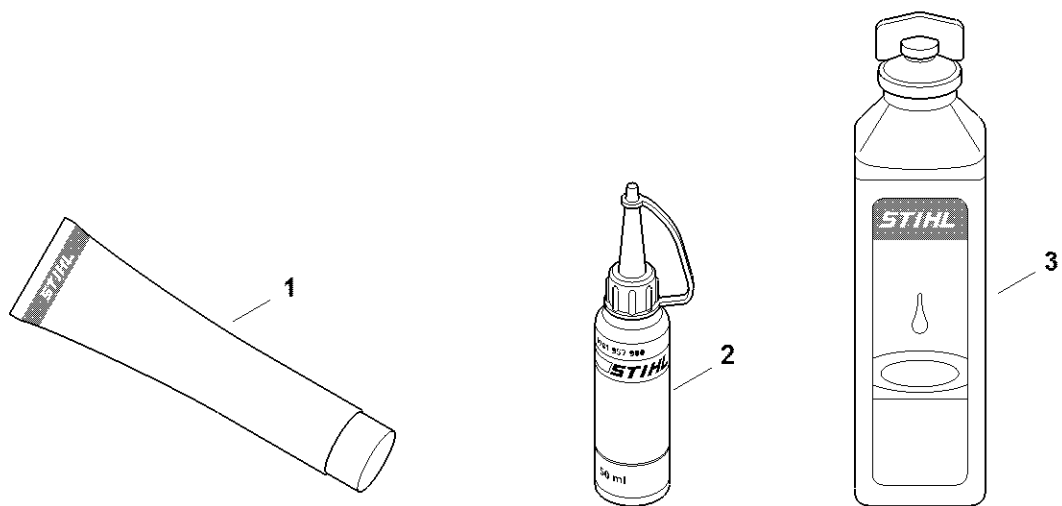
Serial number



Serial number

#	Part Number	Description	Quantity	Contains Item(s)	Remarks
1	0000 100 0919	Position of serial number	1		

Miscellaneous lubricants and greases

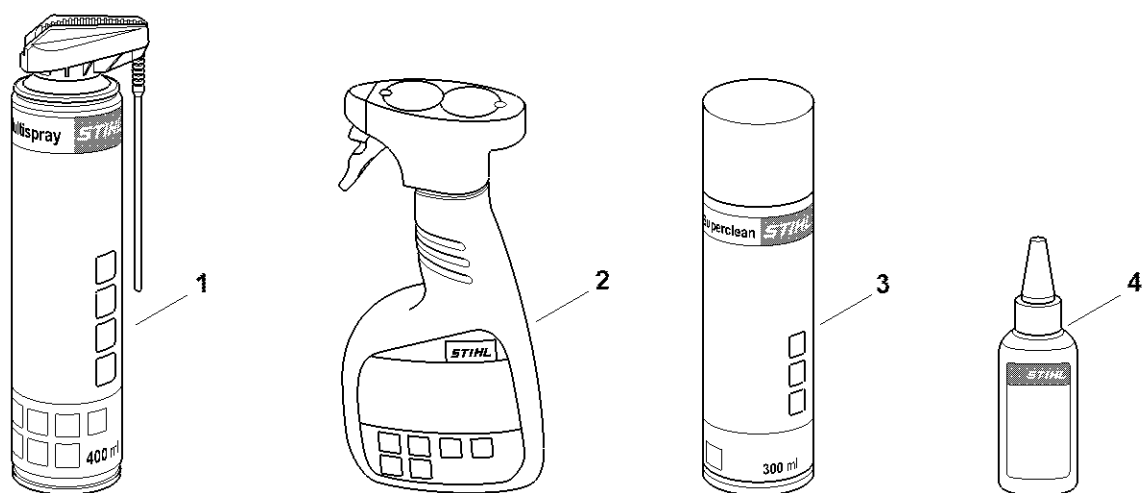


0000-GET-0170-A0

Miscellaneous lubricants and greases

#	Part Number	Description	Quantity	Contains Item(s)	Remarks
1	0781 120 1021	STIHL Multilub 40g tube	1		
1	0781 120 1109	Multipurpose grease 80 g	1		
1	0781 120 1110	Multipurpose grease 225 g	1		
2	0781 957 9000	Press fluid OH 723	1		
3	0781 319 8401	HP 100ml	1		
3	0781 319 8052	HP Super 100ml	1		
3	0781 319 8060	HP Ultra 100ml	1		

Cleaning products

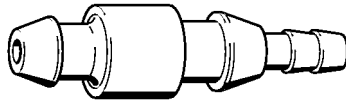


0000-GET-0171-A0

Cleaning products

#	Part Number	Description	Quantity	Contains Item(s)	Remarks
1	0730 411 7002	Multispray 50 ml	1		
1	0730 411 7000	Multispray	1		
2	0000 881 9400	Special cleaner	1		
2	0000 881 9409	Special cleaner 5 l	1		
3	0782 420 1001	Resin solvent 50 ml	1		
3	0782 420 1002	Resin solvent 300 ml	1		
4	0782 516 8500	Multioil Bio 50 ml	1		

Nipple

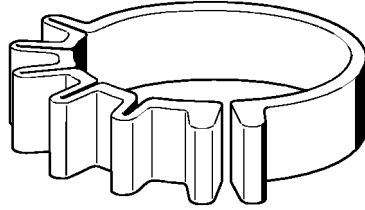


901SW008 GM

Nipple

#	Part Number	Description	Quantity	Contains Item(s)	Remarks
	0000 855 9200	Nipple	1		

Clamping strap

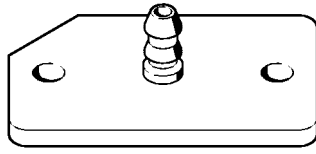


901SW011 GM

Clamping strap

#	Part Number	Description	Quantity	Contains Item(s)	Remarks
	0000 893 2600	Clamping strap	1		

Flange



901SW016 GM

Flange

#	Part Number	Description	Quantity	Contains Item(s)	Remarks
	1106 850 4201	Flange	1		

Puller

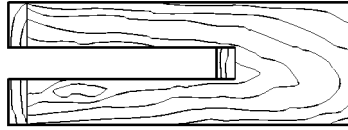


901SW017 GM

Puller

#	Part Number	Description	Quantity	Contains Item(s)	Remarks
	1106 890 4501	Puller	1		
	0000 951 0920	Hexagon head screw M10x55	1		
	1107 894 1000	Thrust piece	1		

Wooden assembly block

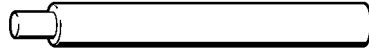


901SW022 GM

Wooden assembly block

#	Part Number	Description	Quantity	Contains Item(s)	Remarks
	1108 893 4800	Wooden assembly block	1		

Assembly drift

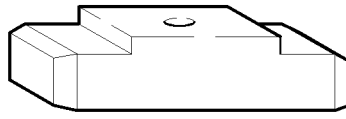


901SW041 GM

Assembly drift

#	Part Number	Description	Quantity	Contains Item(s)	Remarks
	1111 893 4700	Assembly drift	1		

Flange

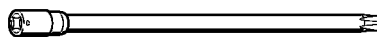


901SW049 KN

Flange

#	Part Number	Description	Quantity	Contains Item(s)	Remarks
	1124 850 4205	Flange	1		

Socket, T27x125



901SW091 GM

Socket, T27x125

#	Part Number	Description	Quantity	Contains Item(s)	Remarks
	0812 542 2104	Driver bit, 1/4" square drive, T27x125	1		

Hose 135 mm / 5 5/16"



901SW100 GM

Hose 135 mm / 5 5/16"

#	Part Number	Description	Quantity	Contains Item(s)	Remarks
	1110 141 8600	Hose 135 mm / 5 5/16"	1		

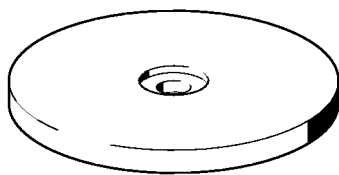
Assembly tube



901SW112 GM

Assembly tube

#	Part Number	Description	Quantity	Contains Item(s)	Remarks
	1117 890 0900	Assembly tube	1		

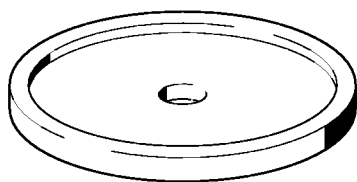


901SW116 GM

Base

#	Part Number	Description	Quantity	Contains Item(s)	Remarks
	1124 893 5200	Base	1		

Installing plate

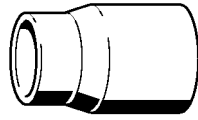


901SW125 GM

Installing plate

#	Part Number	Description	Quantity	Contains Item(s)	Remarks
	1124 893 5100	Installing plate	1		

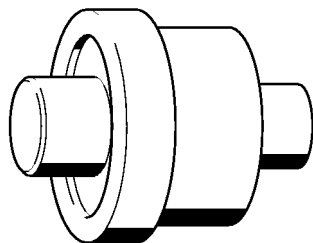
Installing sleeve



901SW133 GM

Installing sleeve

#	Part Number	Description	Quantity	Contains Item(s)	Remarks
	1122 893 4600	Installing sleeve	1		

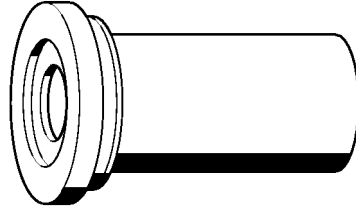


901SW137 GM

Press arbor

#	Part Number	Description	Quantity	Contains Item(s)	Remarks
	1124 893 7200	Press arbor	1		

Press sleeve

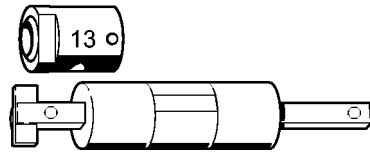


901 SW139 GM

Press sleeve

#	Part Number	Description	Quantity	Contains Item(s)	Remarks
	1127 893 2400	Press sleeve	1		

Installing tool, 13

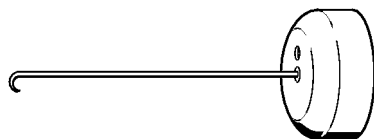


5910-GSN-0000-A0

Installing tool, 13

#	Part Number	Description	Quantity	Contains Item(s)	Remarks
	5910 890 2224	Installing tool Ø 13	1	2	
	5910 893 1715	Sleeve	1		

Assembly hook

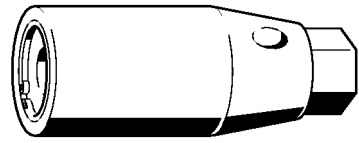


901SW205 GM

Assembly hook

#	Part Number	Description	Quantity	Contains Item(s)	Remarks
	5910 890 2800	Assembly hook	1		

Stud puller, M10

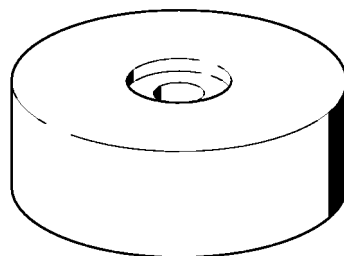


901SW210 GM

Stud puller, M10

#	Part Number	Description	Quantity	Contains Item(s)	Remarks
	5910 893 0506	Stud puller, M10	1		

Installing plate

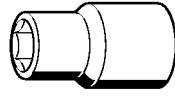


901 SW214 GM

Installing plate

#	Part Number	Description	Quantity	Contains Item(s)	Remarks
	5910 893 5100	Installing plate	1		

Socket, 13 mm



901SW217 GM

Socket, 13 mm

#	Part Number	Description	Quantity	Contains Item(s)	Remarks
	5910 893 5608	Socket, 13 mm	1		

Socket, 17 mm

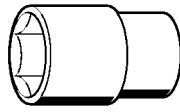


901SW218 GM

Socket, 17 mm

#	Part Number	Description	Quantity	Contains Item(s)	Remarks
	5910 893 5610	Socket, 17 mm	1		

Socket, 21 mm

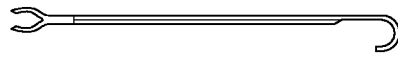


901SW220 GM

Socket, 21 mm

#	Part Number	Description	Quantity	Contains Item(s)	Remarks
	5910 893 5615	Socket, 21 mm	1		

Assembly hook

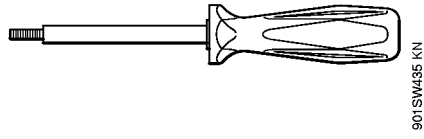


901SW221 GM

Assembly hook

#	Part Number	Description	Quantity	Contains Item(s)	Remarks
	5910 893 8800	Assembly hook	1		

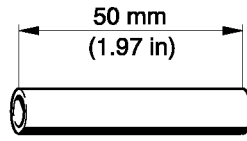
Puller



Puller

#	Part Number	Description	Quantity	Contains Item(s)	Remarks
	5910 890 4502	Puller	1		

Sleeve

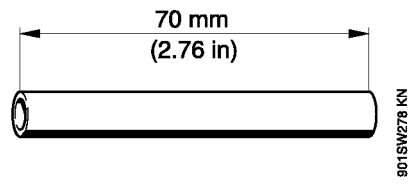


9018W277 KN

Sleeve

#	Part Number	Description	Quantity	Contains Item(s)	Remarks
	1124 893 7100	Sleeve	1		

Sleeve



Sleeve

#	Part Number	Description	Quantity	Contains Item(s)	Remarks
	1127 851 8300	Sleeve	1		

Locking strip

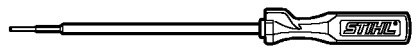


5910-GET-0125-A0

Locking strip

#	Part Number	Description	Quantity	Contains Item(s)	Remarks
1	0000 893 5903	Locking strip	1		

Screwdriver

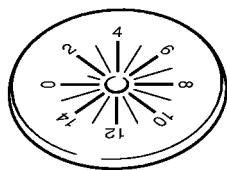


901SW282 KN

Screwdriver

#	Part Number	Description	Quantity	Contains Item(s)	Remarks
	5910 890 2304	Screwdriver	1		

Setting disk

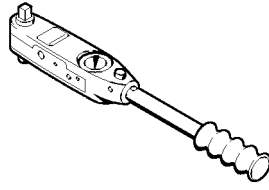


901SW287 KN

Setting disk

#	Part Number	Description	Quantity	Contains Item(s)	Remarks
	5910 893 6600	Setting disk	1		

Torque wrench with optical/acoustic signal

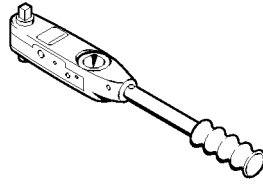


901SW290 KN

Torque wrench with optical/acoustic signal

#	Part Number	Description	Quantity	Contains Item(s)	Remarks
	5910 890 0312	Torque wrench with optical/acoustic signal	1		

Torque wrench

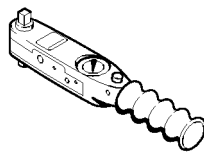


901SW291 KN

Torque wrench

#	Part Number	Description	Quantity	Contains Item(s)	Remarks
	5910 890 0311	Torque wrench	1		

Torque wrench with optical/acoustic signal

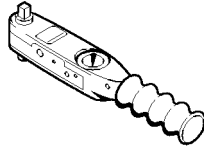


901SW292 KN

Torque wrench with optical/acoustic signal

#	Part Number	Description	Quantity	Contains Item(s)	Remarks
	5910 890 0302	Torque wrench with optical/acoustic signal	1		

Torque wrench

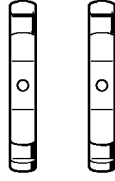


901SW293 KN

Torque wrench

#	Part Number	Description	Quantity	Contains Item(s)	Remarks
	5910 890 0301	Torque wrench	1		

Jaw (profile No. 1 and 2)

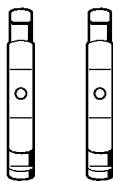


901SW831 GIM

Jaw (profile No. 1 and 2)

#	Part Number	Description	Quantity	Contains Item(s)	Remarks
	0000 893 3700	Jaw (profile No. 1 and 2)	1		

Jaw (profile No. 3.1 and 4)



901 SW932 GIM

Jaw (profile No. 3.1 and 4)

#	Part Number	Description	Quantity	Contains Item(s)	Remarks
	0000 893 3706	Jaw (profile No. 3.1 and 4)	1		

Screw sleeve

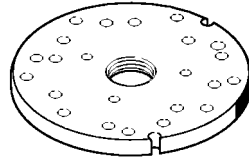


901 SW935 CIM

Screw sleeve

#	Part Number	Description	Quantity	Contains Item(s)	Remarks
	5910 890 1800	Screw sleeve	1		

Drilled plate

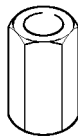


901 SW836 CIM

Drilled plate

#	Part Number	Description	Quantity	Contains Item(s)	Remarks
	5910 893 2101	Drilled plate	1		

Screw sleeve



901 SW839 CIM

Screw sleeve

#	Part Number	Description	Quantity	Contains Item(s)	Remarks
	5910 893 2421	Screw sleeve	1		

Screw sleeve

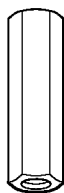


901SW845 GM

Screw sleeve

#	Part Number	Description	Quantity	Contains Item(s)	Remarks
	5910 893 2406	Screw sleeve	1		

Screw sleeve

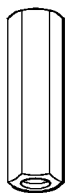


901 SW847 CIM

Screw sleeve

#	Part Number	Description	Quantity	Contains Item(s)	Remarks
	5910 893 2408	Screw sleeve	1		

Screw sleeve



901 SW948 CIM

Screw sleeve

#	Part Number	Description	Quantity	Contains Item(s)	Remarks
	5910 893 2409	Screw sleeve	1		

Plug

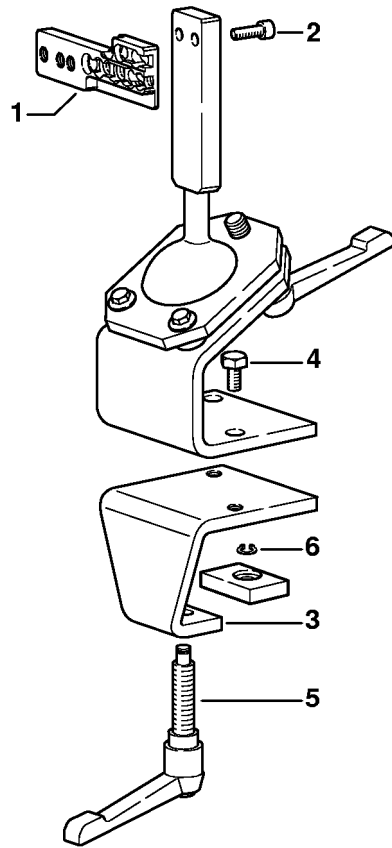


901SW357 GM

Plug

#	Part Number	Description	Quantity	Contains Item(s)	Remarks
	1122 025 2200	Plug	1		

Assembly stand

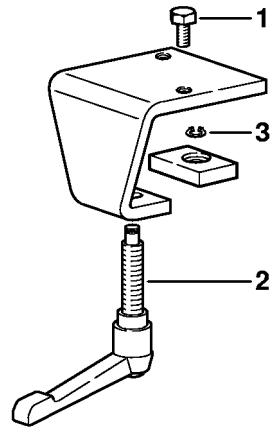


9015W363 SC

Assembly stand

#	Part Number	Description	Quantity	Contains Item(s)	Remarks
	5910 890 3101	Assembly stand	1	1 - 6	
1	5910 850 1651	Support	1		
2	9045 319 2390	Socket head screw M10x25	2		
3	5910 850 2100	Clamping plate	1	4 - 6	
4	9008 319 2930	Hexagon head screw M12x20	2		
5	5910 890 1901	Clamp lever	1		
6	9455 621 0850	Circlip 10x1	1		

Clamping plate

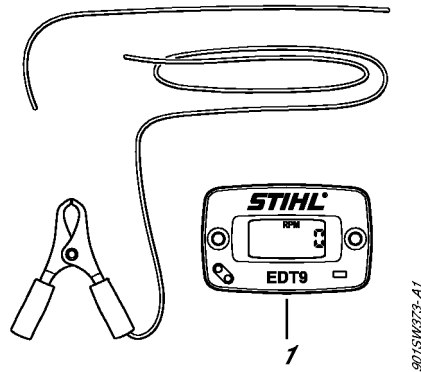


901SW664-SC

Clamping plate

#	Part Number	Description	Quantity	Contains Item(s)	Remarks
	5910 850 2100	Clamping plate	1	1 - 3	
1	9008 319 2930	Hexagon head screw M12x20	2		
2	5910 890 1901	Clamp lever	1		
3	9455 621 0850	Circlip 10x1	1		

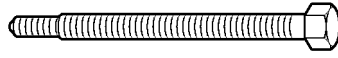
Tachometer EDT 9



Tachometer EDT 9

#	Part Number	Description	Quantity	Contains Item(s)	Remarks
1	5910 850 1100	Tachometer EDT 9	1		

Spindle ZS

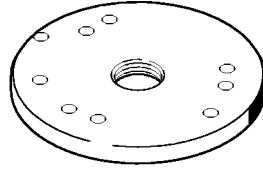


901SW674 GM

Spindle ZS

#	Part Number	Description	Quantity	Contains Item(s)	Remarks
	5910 893 8505	Spindle ZS	1		

Drilled plate

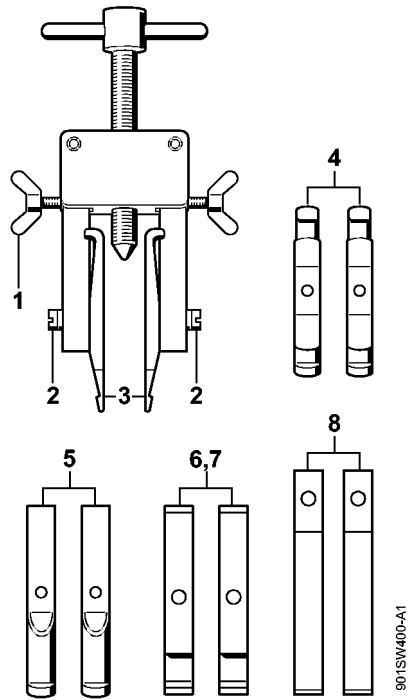


9013W396 GM

Drilled plate

#	Part Number	Description	Quantity	Contains Item(s)	Remarks
	5910 890 0550	Drilled plate	1		

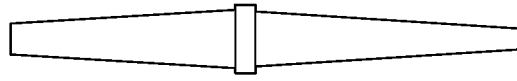
Puller



Puller

#	Part Number	Description	Quantity	Contains Item(s)	Remarks
	5910 890 4400	Puller	1	1 - 8	
1	9157 691 0980	Wing screw M5x16	2		
2	9044 319 0980	Pan head screw M5x16	2		
3	0000 893 3700	Jaw (profile No. 1 and 2)	2		
4	0000 893 3706	Jaw (profile No. 3.1 and 4)	2		
5	0000 893 3711	Jaw (profile No. 6)	2		
6	0000 893 3703	Jaw (profile No. 7)	2		
7	0000 893 3704	Jaw (profile No. 8)	2		
8	0000 893 3707	Jaw (profile No. 9)	2		

Nipple

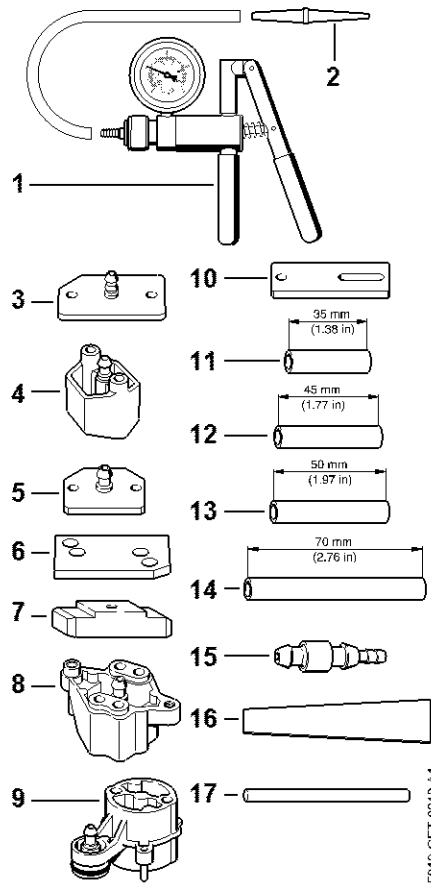


901SW496 GM

Nipple

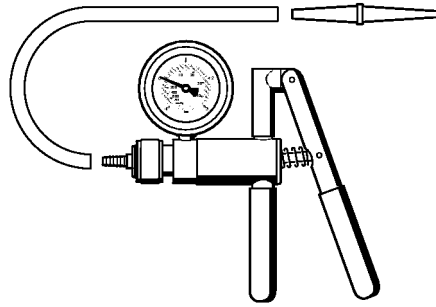
#	Part Number	Description	Quantity	Contains Item(s)	Remarks
	0000 855 9201	Nipple	1		

Testing tool kit



Testing tool kit

#	Part Number	Description	Quantity	Contains Item(s)	Remarks
	0000 890 1701	Testing tool kit	1	1 - 17	
1	0000 850 1300	Pump	1	2	
2	0000 855 9201	Nipple	1		
3	1106 850 4201	Flange	1		
4	1118 850 4200	Flange	1		
5	1119 850 4201	Test flange	1		
6	1123 855 4200	Flange	1		
7	1124 850 4205	Flange	1		
8	5910 850 4207	Flange	1		
9	4224 890 1200	Flange	1		
10	5910 855 4206	Flange	1		
11	5910 893 1702	Sleeve	2		
12	1123 851 8300	Sleeve	2		
13	1124 893 7100	Sleeve	2		
14	1127 851 8300	Sleeve	2		
15	0000 855 9200	Nipple	1		
16	0000 855 8106	Sealing plate	1		
17	1110 141 8600	Hose 135 mm / 5 5/16"	1		

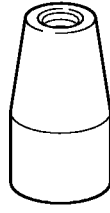


901SW486 GM

Pump

#	Part Number	Description	Quantity	Contains Item(s)	Remarks
	0000 850 1300	Pump	1		
	0000 855 9201	Nipple	1		
	0000 855 0100	Hose	1		

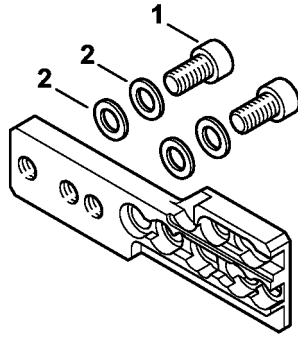
Stud puller, M10-13



901SW504 GM

Stud puller, M10-13

#	Part Number	Description	Quantity	Contains Item(s)	Remarks
	5910 890 3002	Stud driver M10-13	1		

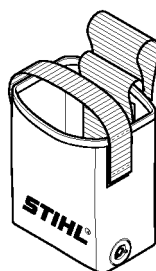


9015W547 SC

Support

#	Part Number	Description	Quantity	Contains Item(s)	Remarks
	5910 850 1651	Support	1	1, 2	
1	9045 319 2390	Socket head screw M10x25	2		
2	9291 021 3870	Washer 10.5x20x1.5	4		

Adapter, battery-to-analyzer AAD 1

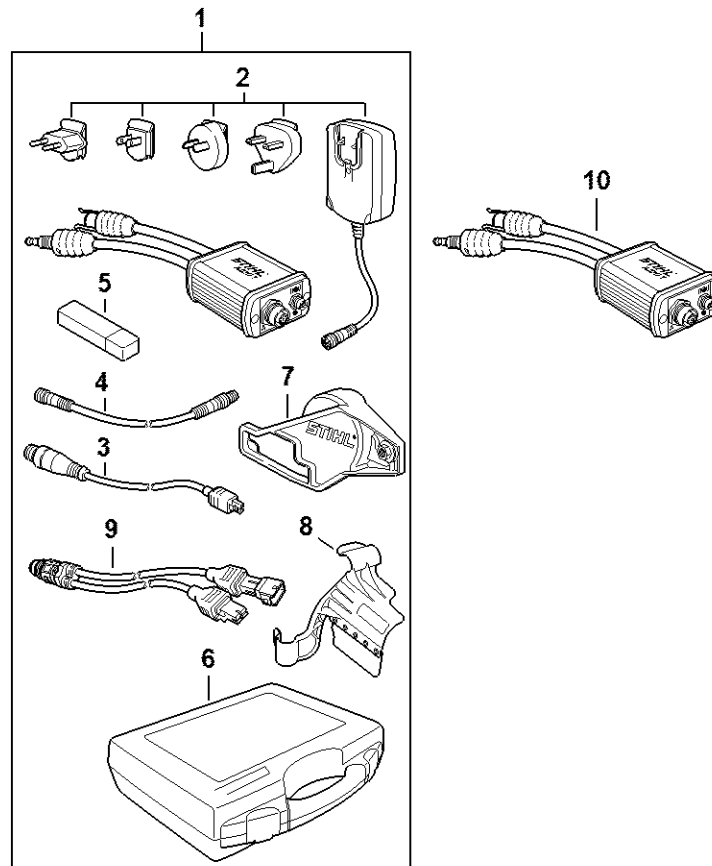


901SW657 SC

Adapter, battery-to-analyzer AAD 1

#	Part Number	Description	Quantity	Contains Item(s)	Remarks
	5910 840 2300	Adapter, battery-to-analyzer AAD 1	1		

Diagnostic unit MDG 1

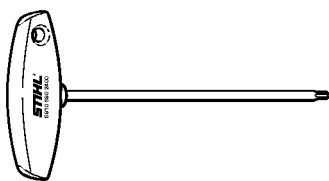


591D-GSW-0010-A4

Diagnostic unit MDG 1

#	Part Number	Description	Quantity	Contains Item(s)	Remarks
1	5910 840 0210	Diagnostic unit MDG 1	1	2 - 9	
2	5910 840 1400	Power supply	1		
3	5910 840 0408	Diagnosis cable M-Tronic	1		
4	5910 440 2000	Connecting cable	1		
5	5910 840 1501	Bluetooth USB stick	1		
6	5910 900 4102	Case	1		
7	5910 890 3201	Cover	1		
8	5910 890 3200	Cover	1		
9	5910 840 0405	Diagnosis cable	1		

Screwdriver, T27x150

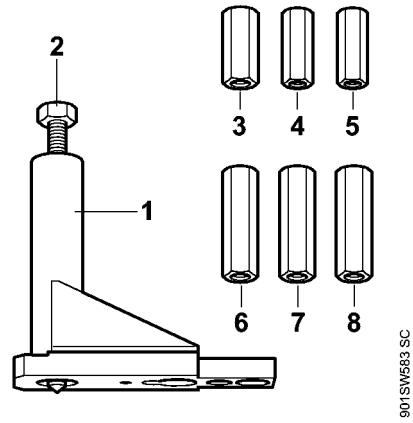


901SW575 KN

Screwdriver, T27x150

#	Part Number	Description	Quantity	Contains Item(s)	Remarks
	5910 890 2400	Screwdriver, T27x150	1		

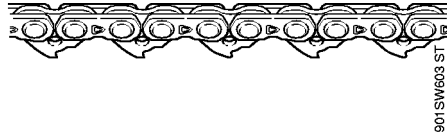
Service tool AS



Service tool AS

#	Part Number	Description	Quantity	Contains Item(s)	Remarks
	5910 007 2222	Service tool AS	1	1 - 8	
1	5910 890 2222	Service tool AS	1	2	
2	5910 893 8500	Spindle AS	1		
3	5910 893 2405	Screw sleeve	1		
4	5910 893 2406	Screw sleeve	1		
5	5910 893 2407	Screw sleeve	1		
6	5910 893 2408	Screw sleeve	1		
7	5910 893 2409	Screw sleeve	1		
8	5910 893 2202	Screw sleeve	1		

Chain without cutters .404" 1.6 (53 cm / 21")

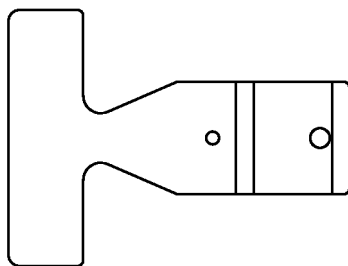


901SW603 ST

Chain without cutters .404" 1.6 (53 cm / 21")

#	Part Number	Description	Quantity	Contains Item(s)	Remarks
	3113 000 0068	Chain without cutters .404" 1.6 (53 cm / 21")	1		

Setting gauge

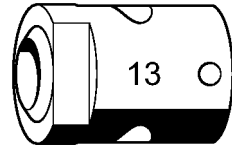


901SW605 SC

Setting gauge

#	Part Number	Description	Quantity	Contains Item(s)	Remarks
	0000 890 6401	Setting gauge	1		

Sleeve

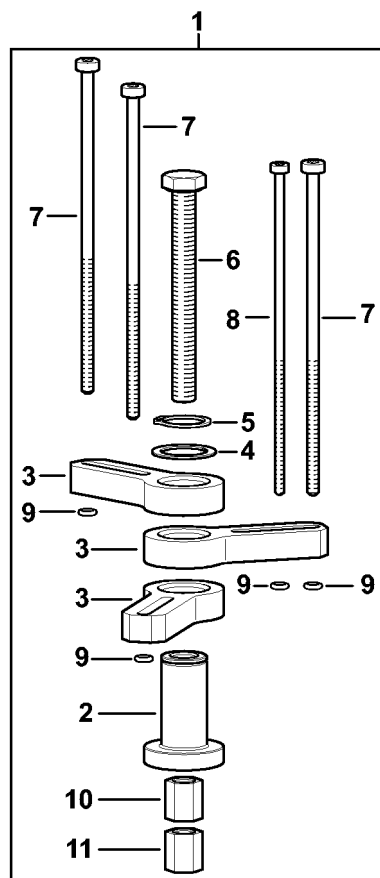


5910-GSN-0001-A0

Sleeve

#	Part Number	Description	Quantity	Contains Item(s)	Remarks
	5910 893 1714	Sleeve	1		

Puller

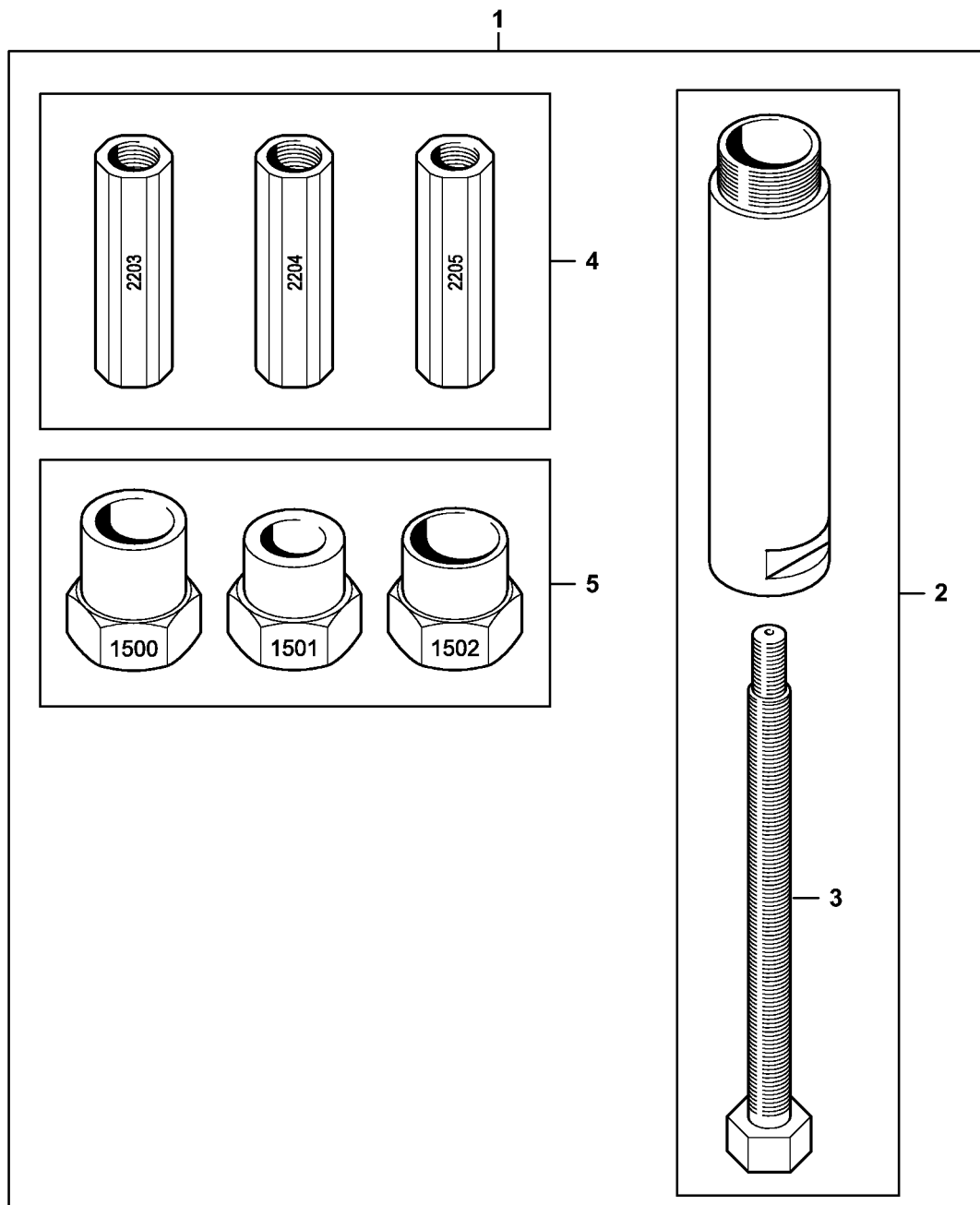


5910-GET-0009-A1

Puller

#	Part Number	Description	Quantity	Contains Item(s)	Remarks
1	5910 890 4505	Puller	1	2 - 11	
2	5910 893 1712	Sleeve	1		
3	5910 895 0700	Extension arm	3		
4	0000 958 0206	Washer	1		
5	9455 621 2150	Circlip 20x1.2	1		
6	9010 346 2545	Hexagon head screw DIN933-M10x1x95-10.9	1		
7	9022 346 1200	Spline screw IS-M5x145x60-10.9	3		
8	9022 346 0852	Spline screw IS-M4x145x60-10.9	1		
9	9646 945 0160	O-ring 4x2	4		
10	5910 895 0900	Guide piece D8	1		
11	5910 895 0901	Guide piece D10	1		

Installing tool AS

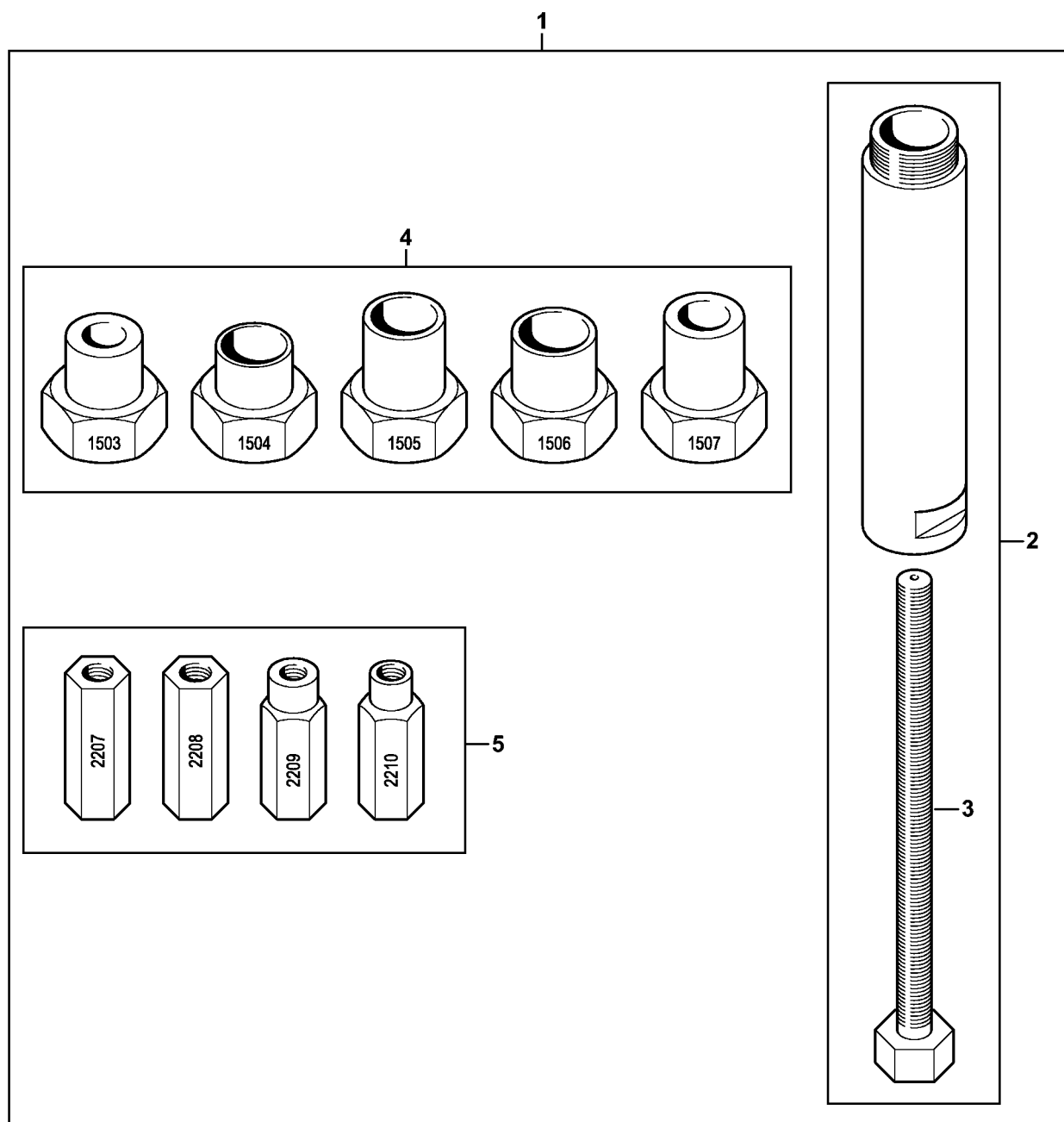


9510-GET-0129-A0

Installing tool AS

#	Part Number	Description	Quantity	Contains Item(s)	Remarks
1	5910 850 5220	Installing tool AS	1	2 - 5	http://stihl.com/sxyRs8
2	5910 890 8401	Spindle AS	1	3	
3	5910 893 8503	Spindle M8x1-LH AS	1		
4	5910 007 1009	Set of screw sleeves AS	1		
5	5910 007 1007	Adapter kit AS	1		

Installing tool LS

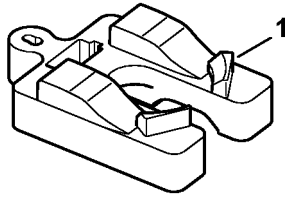


9510-GET-0130-A0

Installing tool LS

#	Part Number	Description	Quantity	Contains Item(s)	Remarks
1	5910 850 5221	Installing tool LS	1	2 - 5	http://stihl.com/sxyRs8
2	5910 890 8402	Spindle LS	1	3	
3	5910 893 8504	Spindle M8x1 LS	1		
4	5910 007 1010	Set of screw sleeves LS	1		
5	5910 007 1008	Adapter kit LS	1		

Piston support

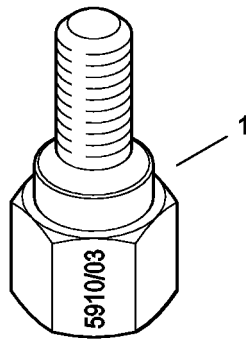


5610-GET-0010-A0

Piston support

#	Part Number	Description	Quantity	Contains Item(s)	Remarks
1	5910 893 5302	Piston support	1		

Collar screw



5910-GET-0131-A0

Collar screw

#	Part Number	Description	Quantity	Contains Item(s)	Remarks
1	5910 893 9603	Collar screw	1		