

MS 661 C-M

Spare Parts List**01/31/2022****United Kingdom, English****STIHL M-Tronic**

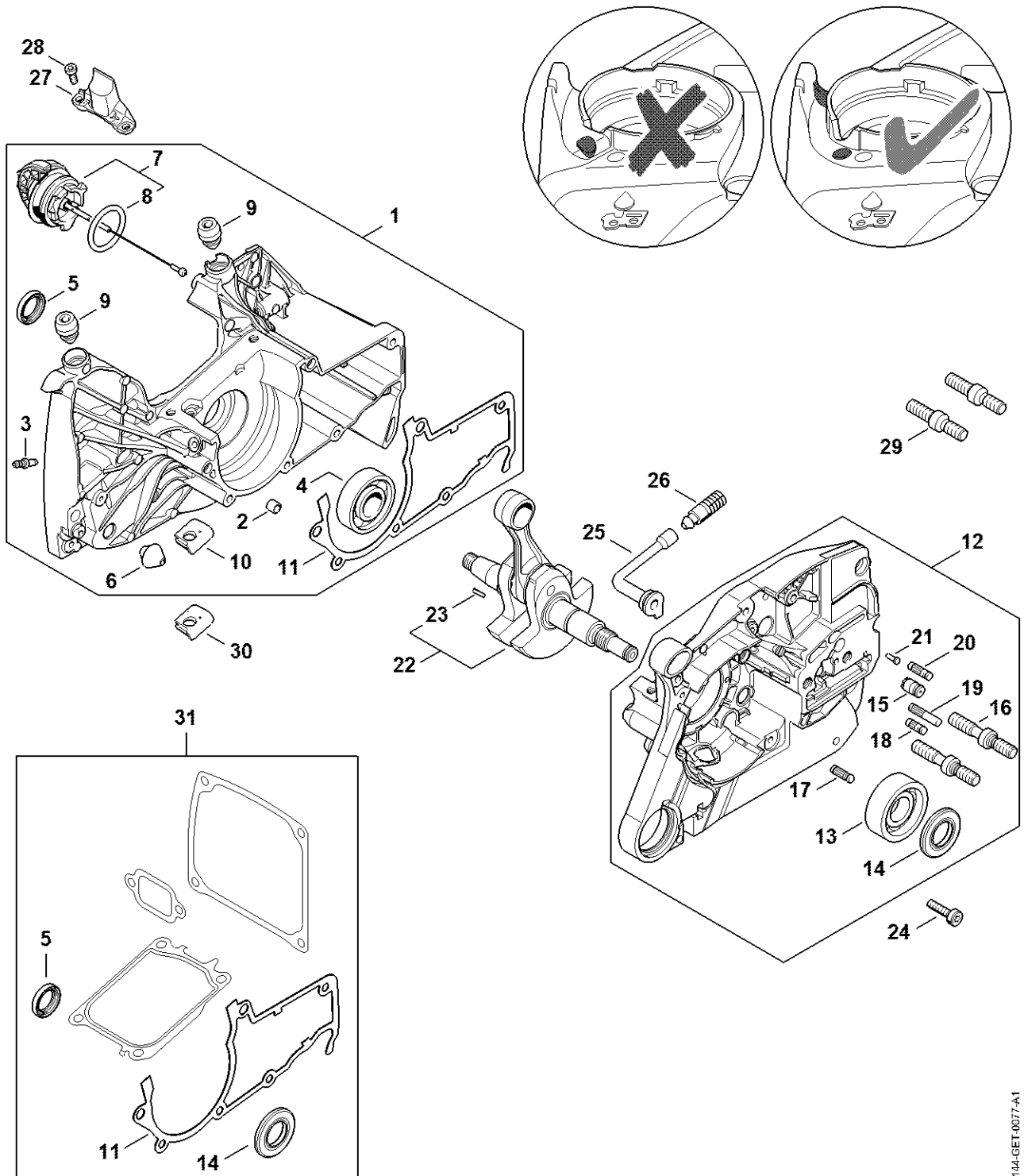
Contents

| | | | |
|--|----|--|-----|
| Crankcase #187988125 | 3 | Sealing plate | 65 |
| Chain sprocket cover | 6 | Socket, T27x125 | 67 |
| Cylinder, Muffler | 8 | Hose 135 mm / 5 5/16" | 69 |
| Oil pump, Clutch | 10 | Installing tool | 71 |
| Chain brake, Chain tensioner | 13 | Assembly tube | 73 |
| Ignition system | 15 | Flange | 75 |
| Rewind starter, Hand guard | 17 | Assembly hook | 77 |
| Tank housing | 19 | Stud puller, M8 | 79 |
| Throttle control | 21 | Assembly hook | 81 |
| Air filter, Shroud | 23 | Ignition system tester, ZAT 3 | 83 |
| Carburetor WJ-140 | 25 | Ignition system tester, ZAT 4 | 85 |
| Carburetor WJ-143 | 28 | Puller | 87 |
| Carburetor WJ-134 | 31 | Screwdriver | 89 |
| AV system, Handlebar | 34 | Installing tool, 12 | 91 |
| Tools, Extras | 36 | Torque wrench with optical/acoustic signal | 93 |
| 2-in-1 laser | 38 | Torque wrench with optical/acoustic signal | 95 |
| Serial number | 40 | Jaw (profile No. 3.1 and 4) | 97 |
| Tightening torques | 42 | Screw sleeve | 99 |
| Tightening torques | 45 | Plug | 101 |
| Miscellaneous lubricants and greases | 47 | Assembly stand | 103 |
| Cleaning products | 49 | Service tool ZS | 105 |
| Nipple | 51 | Puller | 107 |
| Installing tool | 53 | Punchdown tool | 109 |
| Clamping strap | 55 | Pump | 111 |
| Puller | 57 | Stud puller, M8-9.5 | 113 |
| Assembly drift | 59 | Piston support | 115 |
| Press arbor | 61 | Support | 117 |
| Press arbor | 63 | Diagnostic unit MDG 1 | 119 |

Contents

| | |
|--|-----|
| Press sleeve | 121 |
| Thrust piece | 123 |
| Installing sleeve | 125 |
| Screw sleeve | 127 |
| Screwdriver, T27x150 | 129 |
| Service tool AS | 131 |
| Screwdriver, T10 | 133 |
| Chain without cutters 3/8" 1.3 (45 cm / 18") | 135 |
| Chain without cutters 3/8" 1.3 (50 cm / 20") | 137 |
| Setting gauge | 139 |
| Installing tool AS | 141 |
| Installing tool LS | 143 |

Crankcase #187988125



1144-GET-0077-A1

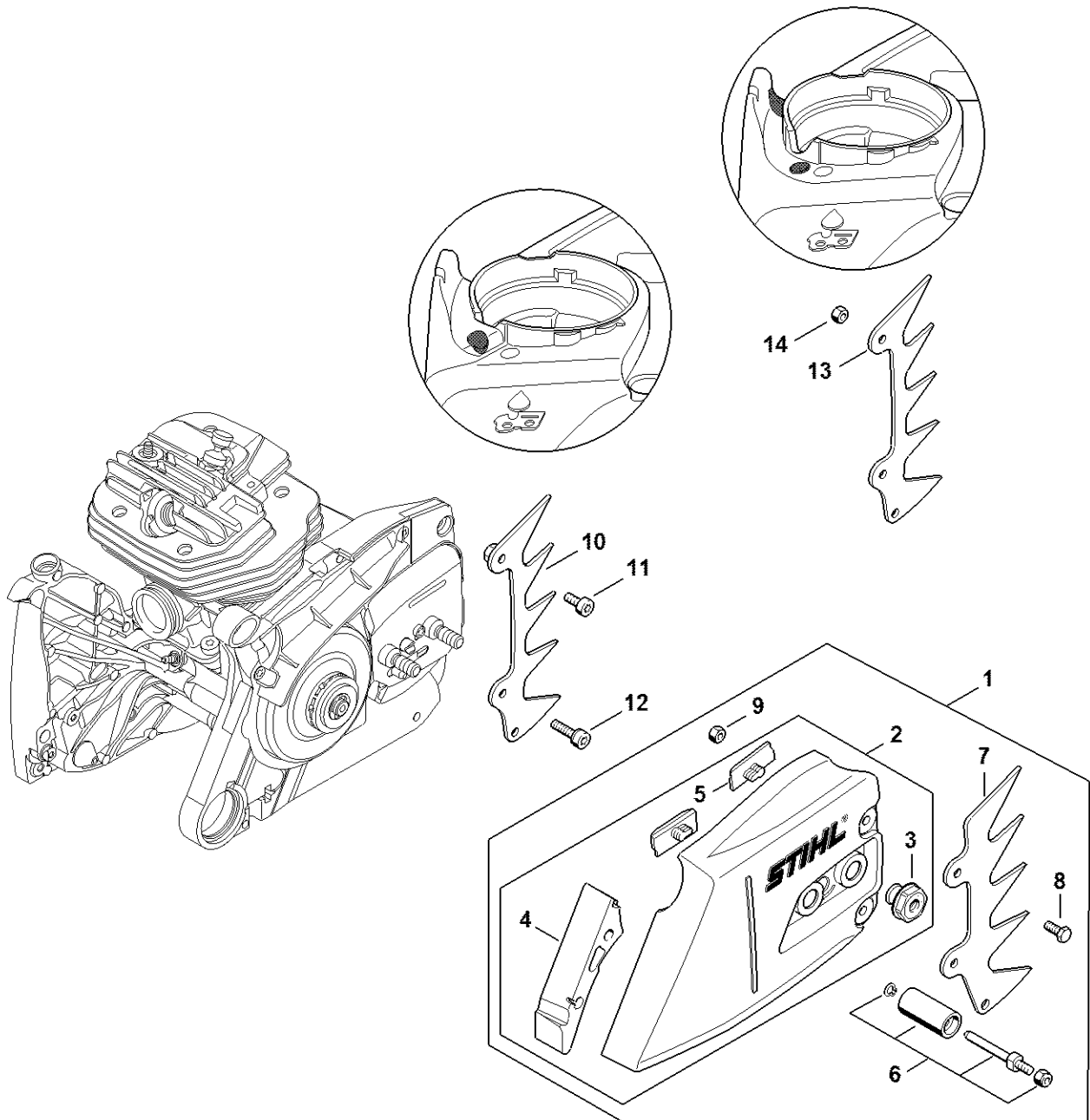
Crankcase #187988125

| # | Part Number | Description | Quantity | Contains Item(s) | Remarks |
|----|---------------|--------------------------------|----------|------------------|---------|
| 1 | 1144 020 2604 | Crankcase, fan side | 1 | 2 - 11 | |
| 2 | 0000 988 8600 | Sleeve | 2 | | |
| 3 | 0000 988 5211 | Connector | 1 | | |
| 4 | 9503 003 6677 | Grooved ball bearing 6203 | 1 | | |
| 5 | 9640 003 1561 | Oil seal DIN3760-BS15x22x4 | 1 | | |
| 6 | 1133 791 5900 | Stop buffer | 1 | | |
| 7 | 0000 350 0533 | Filler cap | 1 | 8 | |
| 8 | 9645 948 7734 | O-ring 25x3.5 | 1 | | |
| 9 | 1147 080 1701 | Grommet | 2 | | |
| 10 | 1144 084 7401 | Grommet | 1 | | |
| 11 | 1144 029 0501 | Gasket | 1 | | |
| 12 | 1144 020 2924 | Crankcase AS | 1 | 13 - 21 | |
| 13 | 9523 003 4556 | Grooved ball bearing 17x41x14 | 1 | | |
| 14 | 9640 003 1851 | Oil seal DIN3760-BS17x32,9x3,6 | 1 | | |
| 15 | 1128 640 9100 | Valve | 1 | | |
| 16 | 0000 664 2417 | Collar screw M8 | 2 | | |
| 17 | 1120 162 5200 | Pin | 1 | | |
| 18 | 1128 162 5200 | Pin | 1 | | |
| 19 | 1121 162 5205 | Pin | 1 | | |
| 20 | 1121 162 5200 | Pin | 1 | | |
| 21 | 0000 974 1200 | Notched pin 2.6x8 | 1 | | |
| 22 | 1144 030 0402 | Crankshaft | 1 | 23 | |
| 23 | 1120 036 8500 | Woodruff key 2x3.7 | 1 | | |
| 24 | 9022 371 1020 | Spline screw IS-M5x20 | 6 | | |
| 25 | 1122 647 9400 | Hose | 1 | | |
| 26 | 1117 640 3800 | Pickup body | 1 | | |
| 27 | 1144 021 8101 | Flange | 1 | | |

Crankcase #187988125

| # | Part Number | Description | Quantity | Contains Item(s) | Remarks |
|----|---------------|-----------------------|----------|------------------|---------|
| 28 | 9022 313 0651 | Spline screw IS-M4x10 | 2 | | |
| 29 | 0000 664 2413 | Collar screw M8 | 2 | | |
| 30 | 1144 084 7400 | Grommet | 1 | | |
| 31 | 1144 007 1601 | Set of gaskets | 1 | 5, 11, 14 | |

Chain sprocket cover

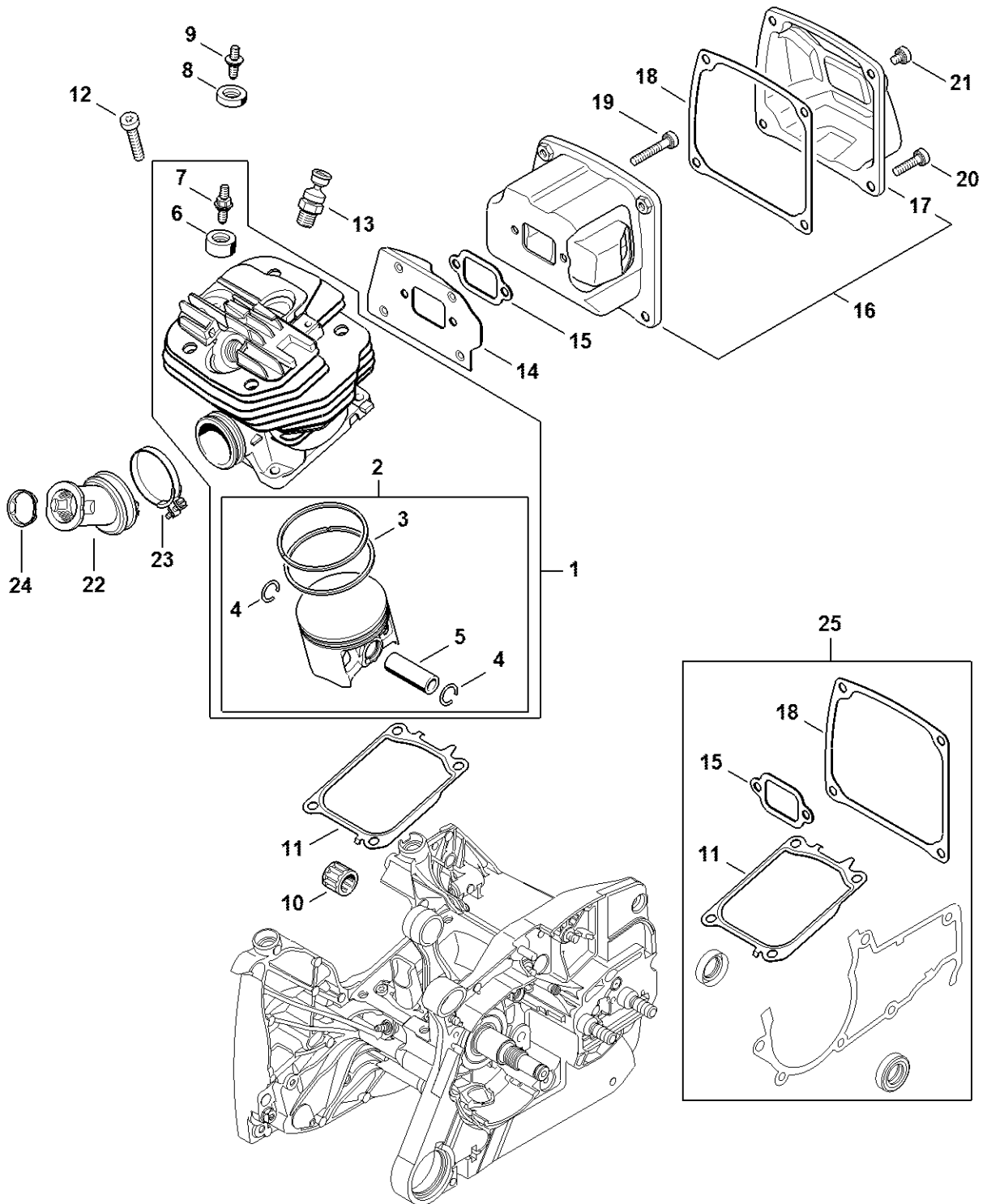


1144-GET-0081-A0

Chain sprocket cover

| # | Part Number | Description | Quantity | Contains Item(s) | Remarks |
|----|---------------|--------------------------|----------|------------------|--|
| 1 | 1144 640 1700 | Chain sprocket cover | 1 | 2 - 9 | |
| 2 | 1144 640 1705 | Chain sprocket cover | 1 | 3 - 5 | |
| 3 | 0000 995 0806 | Collar nut M8 | 2 | | |
| 4 | 1135 656 1500 | Guard | 1 | | |
| 5 | 1121 648 6610 | Bumper strip | 2 | | |
| 6 | 1122 650 7702 | Chain catcher | 1 | | |
| 7 | 1122 664 0500 | Bumper spike | 1 | | |
| 8 | 9008 345 0960 | Hexagon head screw M5x12 | 2 | | |
| 9 | 9214 320 0700 | Lock nut M5 | 2 | | |
| 11 | 9022 341 0961 | Spline screw IS-M5x12 | 1 | | Micro-encapsulated with binding thread |
| 12 | 9022 341 1019 | Spline screw IS-M5x20 | 1 | | |
| 13 | 1122 664 0505 | Bumper spike | 1 | | |
| 14 | 9214 320 0700 | Lock nut M5 | 1 | | |

Cylinder, Muffler

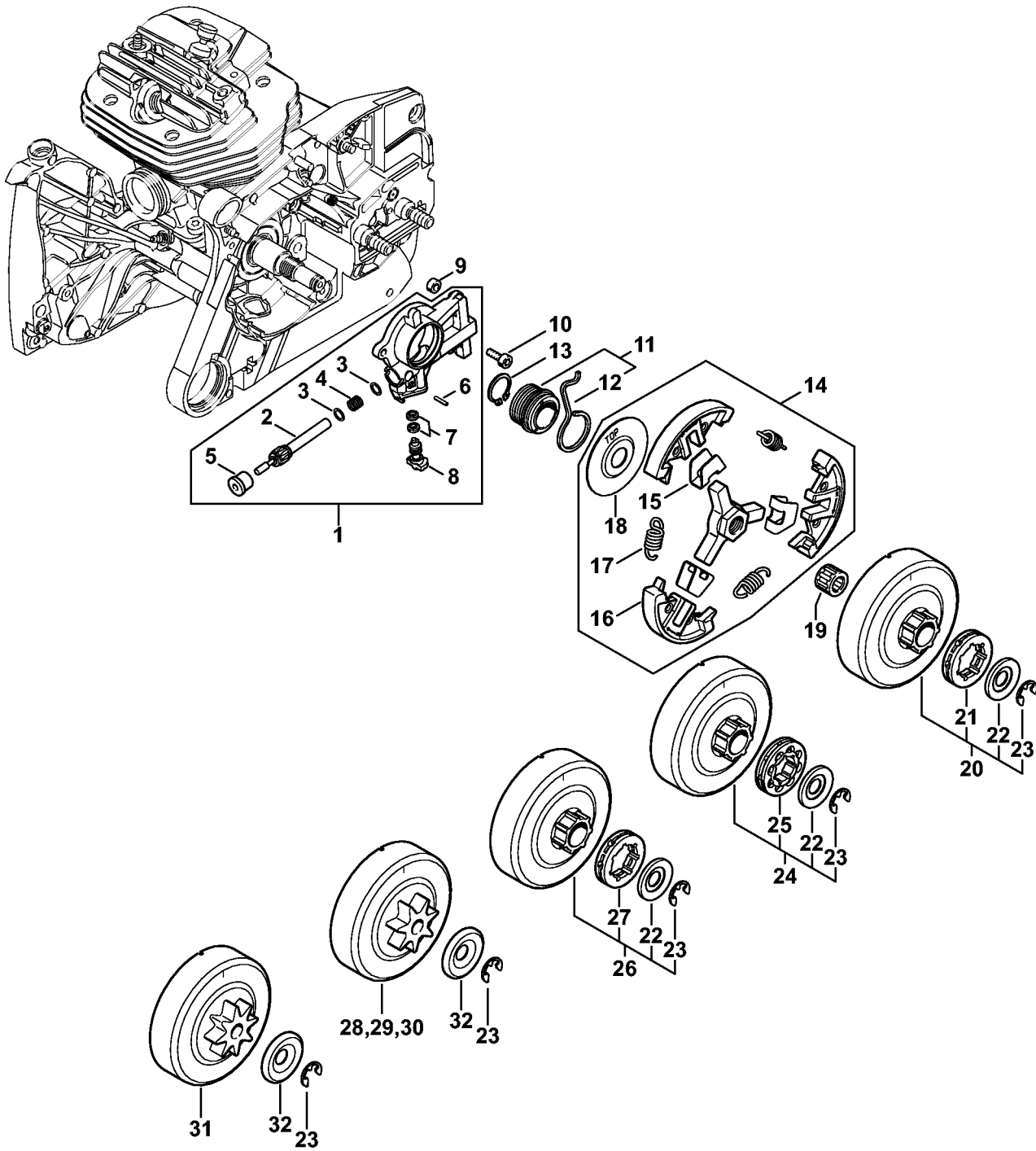


1144-GET-0096-A0

Cylinder, Muffler

| # | Part Number | Description | Quantity | Contains Item(s) | Remarks |
|----|---------------|------------------------------|----------|------------------|---------|
| 1 | 1144 020 1202 | Cylinder with piston Ø 56 mm | 1 | 2 - 7 | |
| 2 | 1144 030 2001 | Piston Ø 56 mm | 1 | 3 - 5 | |
| 3 | 1144 034 3002 | Piston ring Ø 56x1,2 mm | 2 | | |
| 4 | 9463 650 1200 | Snap ring 12x1 | 2 | | |
| 5 | 1144 034 1500 | Piston pin 12x8x35 | 1 | | |
| 6 | 1144 028 1000 | Grommet | 1 | | |
| 7 | 0000 953 0811 | Stud M5 | 1 | | |
| 8 | 1135 028 1002 | Grommet | 1 | | |
| 9 | 0000 953 0810 | Stud M5 | 1 | | |
| 10 | 9512 003 3286 | Needle cage 12x17x14,4 | 1 | | |
| 11 | 1144 029 2300 | Cylinder gasket | 1 | | |
| 12 | 9022 341 1370 | Spline screw IS-M6x30 | 4 | | |
| 13 | 1124 020 9401 | Decompression valve | 1 | | |
| 14 | 1144 141 3200 | Cooling plate | 1 | | |
| 15 | 1144 149 0600 | Muffler gasket | 1 | | |
| 16 | 1144 140 0600 | Muffler | 1 | 17 | |
| 17 | 1144 145 0800 | Exhaust casing | 1 | | |
| 18 | 1144 149 0500 | Gasket | 1 | | |
| 19 | 9022 373 1070 | Spline screw IS-M5x30 | 2 | | |
| 20 | 9022 399 1020 | Spline screw IS-M5x20 | 2 | | |
| 21 | 9022 341 0911 | Spline screw IS-M5x6 | 2 | | |
| 22 | 1144 141 2202 | Manifold | 1 | | |
| 23 | 9771 021 2621 | Hose clip Ø 36x5 | 1 | | |
| 24 | 1122 141 1805 | Sleeve | 1 | | |
| 25 | 1144 007 1601 | Set of gaskets | 1 | 11, 15, 18 | |

Oil pump, Clutch



1144-GET-0030-A0

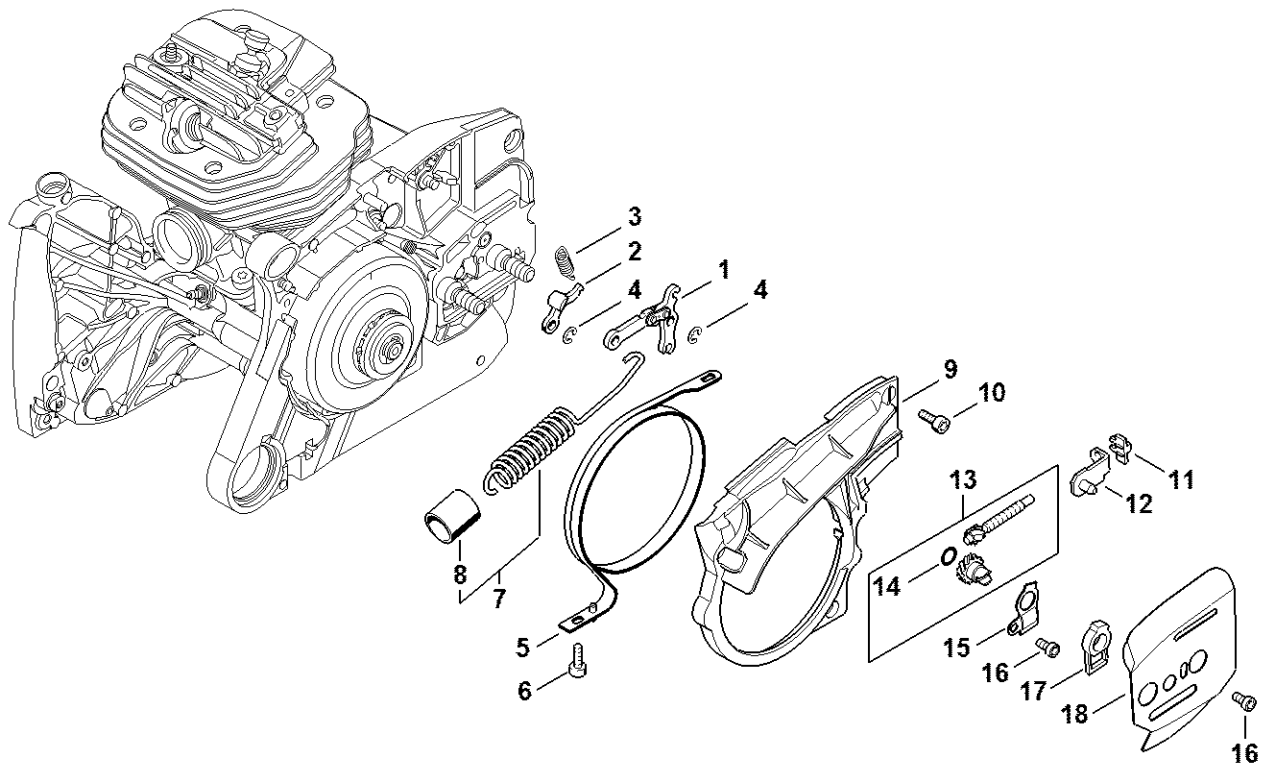
Oil pump, Clutch

| # | Part Number | Description | Quantity | Contains Item(s) | Remarks |
|----|---------------|----------------------------|----------|------------------|---------|
| 1 | 1144 640 3200 | Oil pump | 1 | 2 - 8 | |
| 2 | 1144 647 0600 | Pump piston | 1 | | |
| 3 | 0000 958 0611 | Washer | 2 | | |
| 4 | 0000 997 0629 | Compression spring | 1 | | |
| 5 | 1144 641 9400 | Bearing bushing | 1 | | |
| 6 | 9380 620 1090 | Roll pin 2x10 | 1 | | |
| 7 | 9646 945 0160 | O-ring 4x2 | 2 | | |
| 8 | 1144 647 4800 | Control bolt | 1 | | |
| 9 | 1122 649 5000 | Sealing ring B4x2 | 1 | | |
| 10 | 9022 346 0658 | Spline screw IS-M4x12 | 2 | | |
| 11 | 1144 640 7101 | Worm | 1 | 12 | |
| 12 | 1122 647 2401 | Spring | 1 | | |
| 13 | 9455 621 1800 | Circlip 17x1 | 1 | | |
| 14 | 1144 160 2001 | Clutch | 1 | 15 - 18 | |
| 15 | 0000 162 3001 | Retainer | 3 | | |
| 16 | 1144 162 0802 | Clutch shoe | 3 | | |
| 17 | 0000 997 5520 | Tension spring | 3 | | |
| 18 | 1144 162 1000 | Cover washer | 1 | | |
| 19 | 9512 933 2382 | Needle cage 10x16x13 | 1 | | |
| 20 | 1122 007 1000 | Rim sprocket kit 3/8" 7T | 1 | 21 - 23 | |
| 21 | 0000 642 1223 | Rim sprocket 3/8" 7T | 1 | | |
| 22 | 0000 958 1032 | Washer Ø 27 mm | 1 | | |
| 23 | 9460 624 0801 | E-clip 8x1.3 | 1 | | |
| 24 | 1122 007 1001 | Rim sprocket kit 3/8" 8T | 1 | 22, 23, 25 | |
| 25 | 0000 642 1216 | Rim sprocket 3/8" 8T | 1 | | |
| 26 | 1122 007 1002 | Rim sprocket kit 0.404" 7T | 1 | 22, 23, 27 | |
| 27 | 0000 642 1207 | Rim sprocket 0.404" 7T | 1 | | |

Oil pump, Clutch

| # | Part Number | Description | Quantity | Contains Item(s) | Remarks |
|----|---------------|------------------------------|----------|------------------|---------|
| 28 | 1122 640 2006 | Chain sprocket 3/8" 7T Picco | 1 | | |
| 29 | 1122 640 2001 | Chain sprocket 0.404" 7T | 1 | | |
| 30 | 1122 640 2002 | Chain sprocket 3/8" 7T | 1 | | |
| 31 | 1122 640 2000 | Chain sprocket 3/8" 8T | 1 | | |
| 32 | 0000 958 1029 | Washer Ø 33 mm | 1 | | |

Chain brake, Chain tensioner

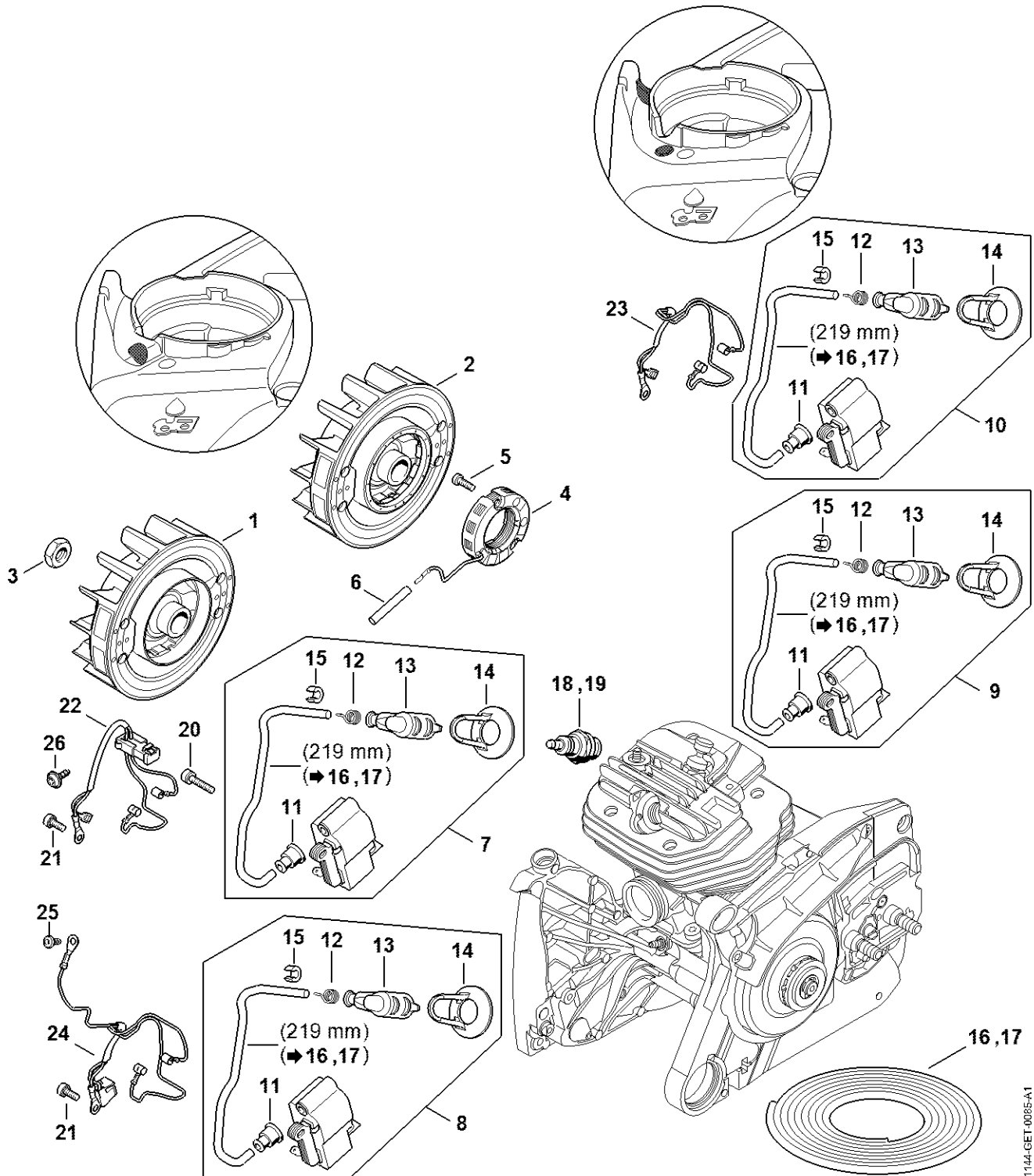


1144-GET-0084-A0

Chain brake, Chain tensioner

| # | Part Number | Description | Quantity | Contains Item(s) | Remarks |
|----|---------------|---------------------------------------|----------|------------------|---------|
| 1 | 1128 160 5000 | Lever | 1 | | |
| 2 | 1121 162 5010 | Lever | 1 | | |
| 3 | 0000 997 0628 | Spring | 1 | | |
| 4 | 9460 624 0400 | E-clip 4 | 2 | | |
| 5 | 1144 160 5400 | Brake band | 1 | | |
| 6 | 9022 346 0658 | Spline screw IS-M4x12 | 1 | | |
| 7 | 1144 160 5500 | Tension spring | 1 | 8 | |
| 8 | 1144 162 8000 | Hose | 1 | | |
| 9 | 1144 021 1100 | Cover | 1 | | |
| 10 | 9022 313 0660 | Spline screw IS-M4x12 | 3 | | |
| 11 | 1125 664 1400 | Thrust pad | 1 | | |
| 12 | 1125 640 1900 | Tensioner slide | 1 | | |
| 13 | 1125 007 1021 | Spur gear / chain adjusting screw kit | 1 | 14 | |
| 14 | 9646 945 0490 | O-ring 7x1.5 | 1 | | |
| 15 | 1122 664 2200 | Cover plate | 1 | | |
| 16 | 9022 313 0633 | Spline screw IS-M4x8 | 2 | | |
| 17 | 1122 664 4500 | Support | 1 | | |
| 18 | 1128 664 1001 | Inner side plate 0.9 mm | 1 | | |

Ignition system

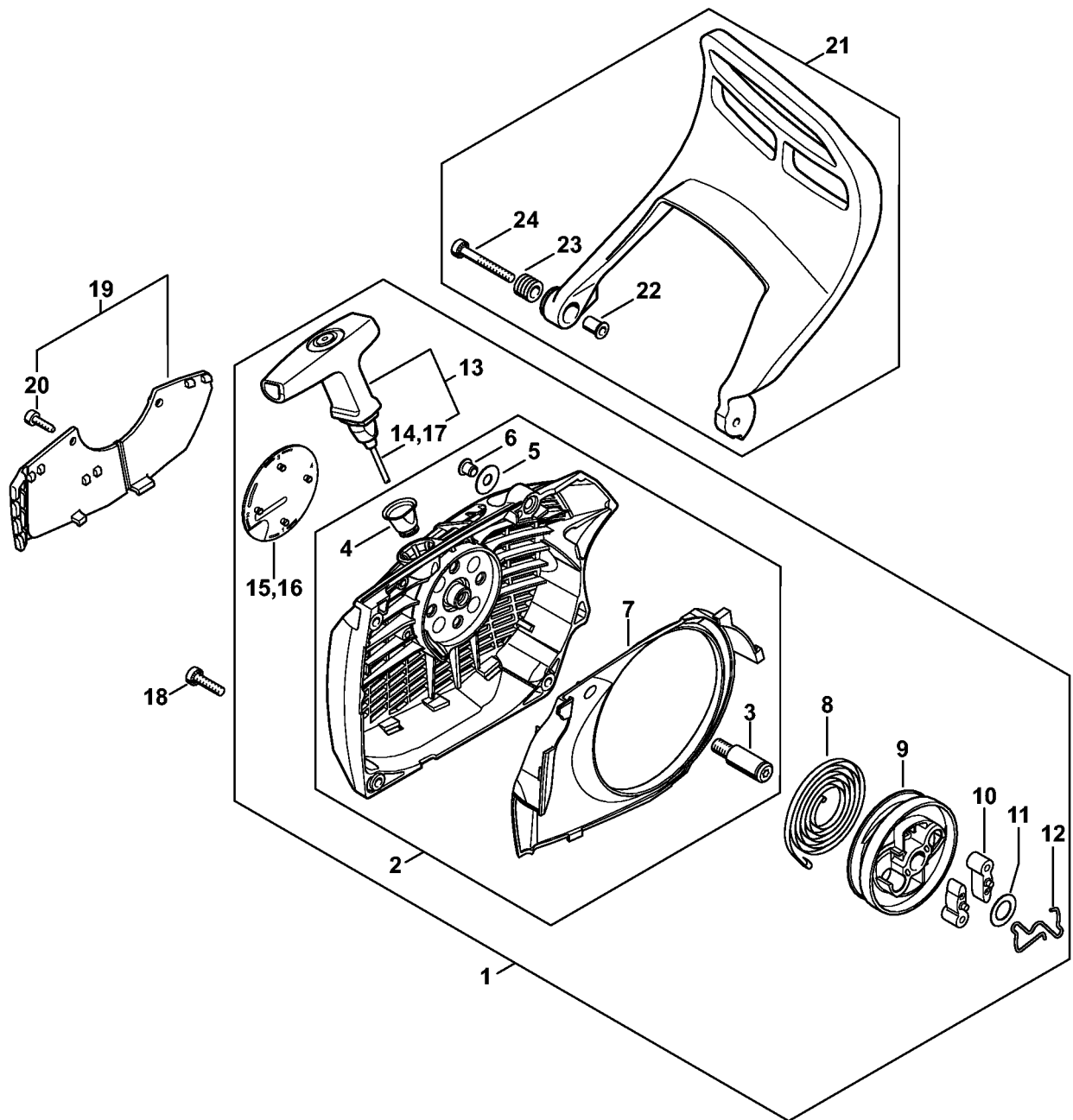


1144-GET-0085-A1

Ignition system

| # | Part Number | Description | Quantity | Contains Item(s) | Remarks |
|----|---------------|--|----------|------------------|---------|
| 1 | 1144 400 1200 | Flywheel | 1 | | |
| 3 | 9211 260 1340 | Hexagon nut M10x1 | 1 | | |
| 9 | 1144 400 4704 | Control unit Up to Serial Number: 187780673 | 1 | 11 - 16 | |
| 11 | 0000 989 1002 | Grommet | 1 | | |
| 12 | 0000 998 0604 | Spark plug contact spring | 1 | | |
| 13 | 1128 405 1000 | Spark plug boot | 1 | | |
| 14 | 1128 084 1400 | Spark plug boot cover | 1 | | |
| 15 | 0000 448 1206 | Lead retainer | 1 | | |
| 16 | 0000 405 0600 | Ignition lead 1 m | 1 | | |
| 17 | 0000 930 2251 | Ignition lead 10 m | 1 | | |
| 18 | 0000 400 7000 | Spark plug NGK BPMR7A | 1 | | |
| 19 | 1110 400 7005 | Spark plug Bosch WSR 6 F | 1 | | |
| 20 | 9022 341 0710 | Spline screw IS-M4x20 | 2 | | |
| 21 | 9022 341 0650 | Spline screw IS-M4x10 | 1 | | |
| 24 | 1144 440 3012 | Wiring harness | 1 | | |
| 25 | 9074 478 2970 | Pan head self-tapping screw IS-P4x10 | 1 | | |
| 26 | 9104 003 3002 | Self-tapping screw IS-P4x12 | 1 | | |

Rewind starter, Hand guard

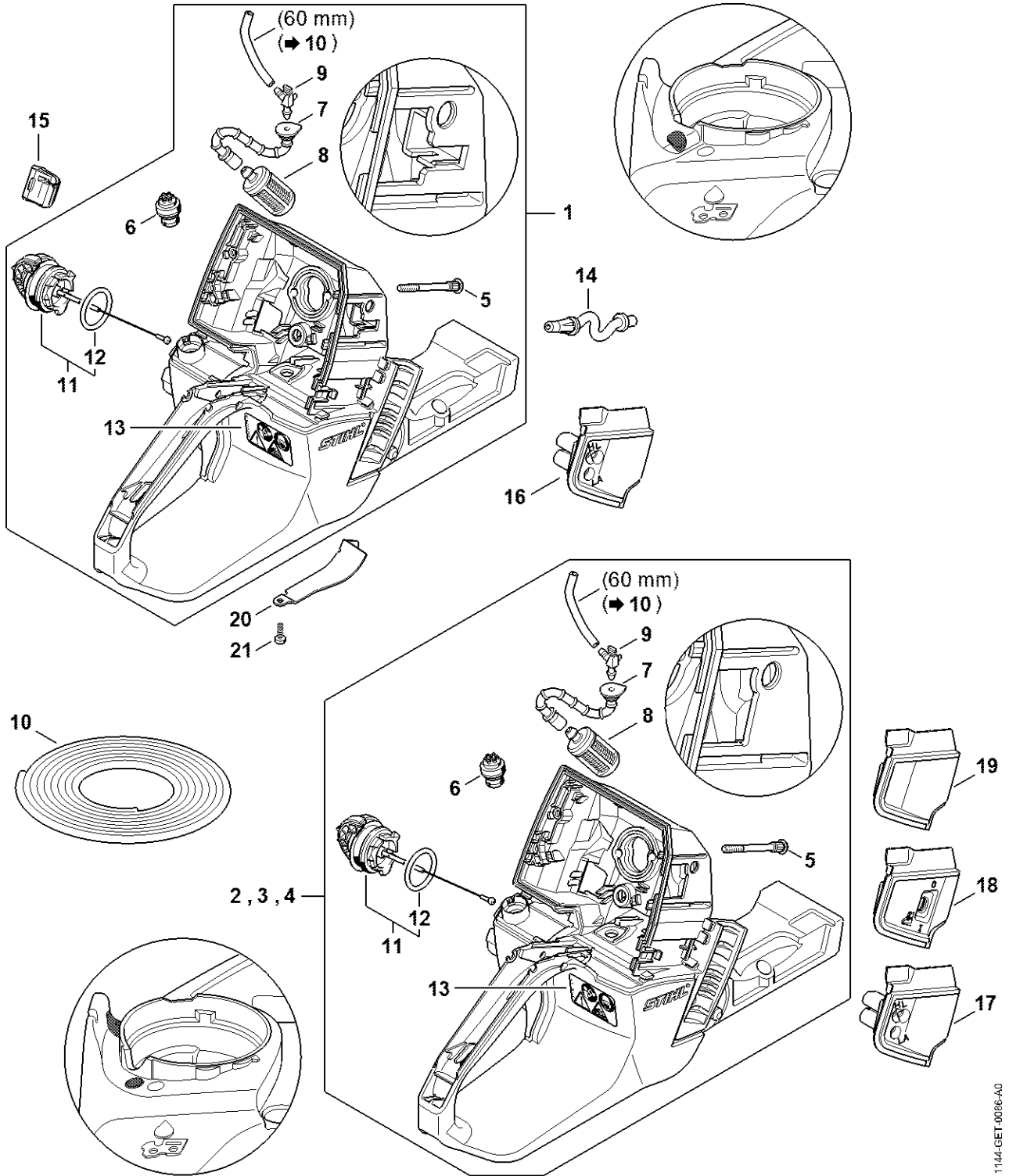


1144-GET-0025-A0

Rewind starter, Hand guard

| # | Part Number | Description | Quantity | Contains Item(s) | Remarks |
|----|---------------|-----------------------------------|----------|------------------|---------|
| 1 | 1144 080 2102 | Fan housing with rewind starter | 1 | 2 - 16 | |
| 2 | 1144 080 1801 | Fan housing | 1 | 3 - 7 | |
| 3 | 1122 084 6502 | Axle | 1 | | |
| 4 | 1110 084 9102 | Bushing | 1 | | |
| 5 | 0000 958 0607 | Washer | 1 | | |
| 6 | 9416 868 6530 | Hollow rivet 6.5x0.5x6.8 | 1 | | |
| 7 | 1144 084 7800 | Segment | 1 | | |
| 8 | 1135 190 0600 | Rewind spring | 1 | | |
| 9 | 1122 195 0400 | Rope rotor | 1 | | |
| 10 | 1124 195 7200 | Pawl | 2 | | |
| 11 | 1119 162 8925 | Washer Ø 12 mm | 1 | | |
| 12 | 1124 195 3500 | Spring | 1 | | |
| 13 | 1122 190 3400 | Starter grip ElastoStart Ø 4,5 mm | 1 | 14 | |
| 14 | 1122 190 2900 | Starter rope Ø 4.5 mm | 1 | | |
| 16 | 1144 967 1501 | Model plate MS 661 C | 1 | | |
| 17 | 0000 930 2268 | Starter rope Ø 4.5mm / 28 pieces | 1 | | |
| 18 | 9022 371 1020 | Spline screw IS-M5x20 | 3 | | |
| 19 | 1144 080 7500 | Cover plate | 1 | 20 | |
| 20 | 9022 313 0658 | Spline screw IS-M4x12 | 2 | | |
| 21 | 1144 790 9100 | Hand guard | 1 | 22 - 24 | |
| 22 | 1124 792 5500 | Bushing | 1 | | |
| 23 | 1124 792 5505 | Bushing | 1 | | |
| 24 | 9022 341 1090 | Spline screw IS-M5x40 | 1 | | |

Tank housing

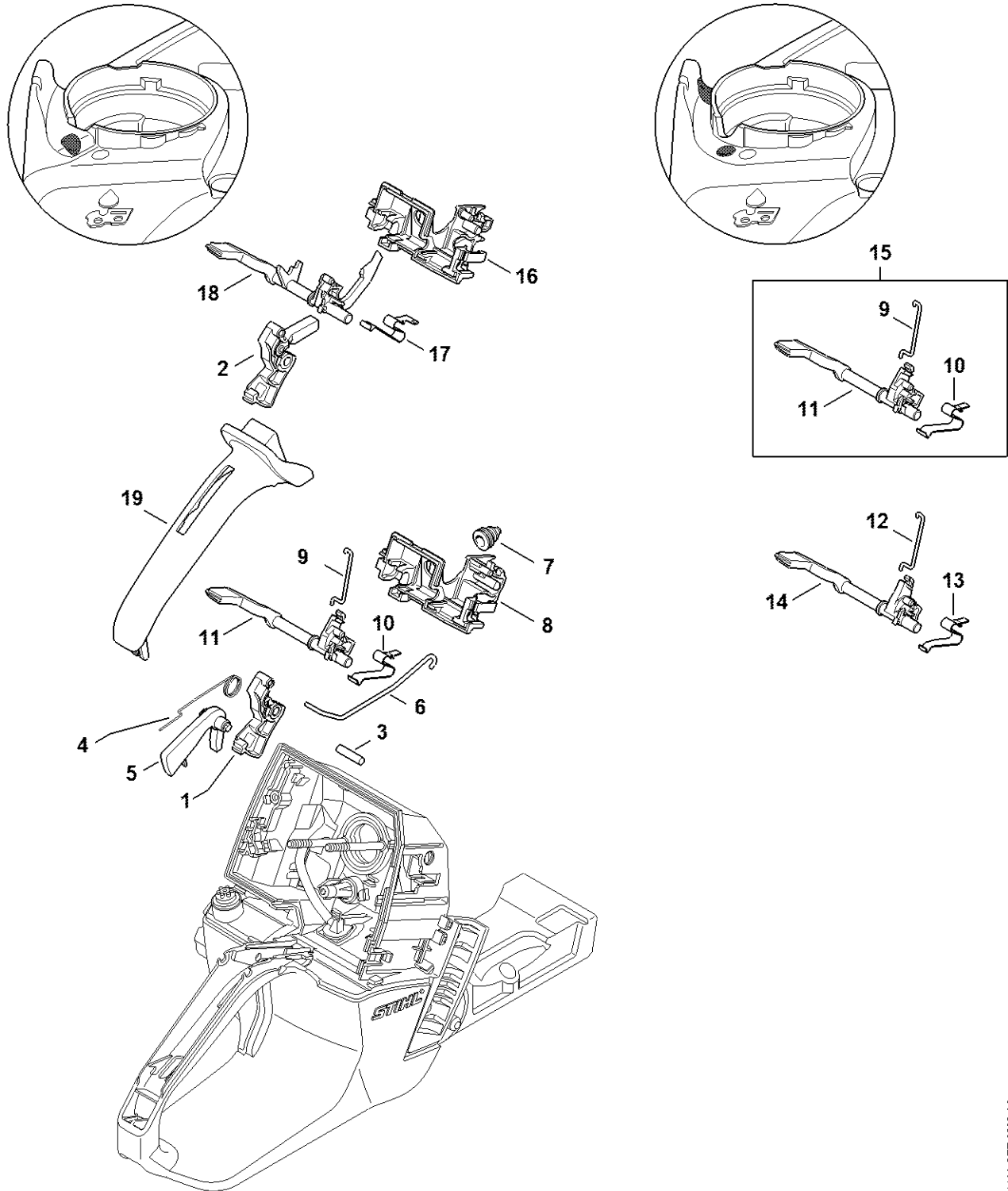


1144-GET-0086-A0

Tank housing

| # | Part Number | Description | Quantity | Contains Item(s) | Remarks |
|----|---------------|---------------------------|----------|------------------|---------|
| 3 | 1144 350 0801 | Tank housing | 1 | 5 - 13 | |
| 5 | 1122 122 6602 | Collar screw | 2 | | |
| 6 | 0000 350 5800 | Tank vent | 1 | | |
| 7 | 1140 358 7706 | Hose | 1 | | |
| 8 | 0000 350 3518 | Pickup body | 1 | | |
| 9 | 1139 122 3900 | Elbow connector | 1 | | |
| 10 | 0000 937 5004 | Hose 3.1x5.7 mm x 1 m, R5 | 1 | | |
| 11 | 0000 350 0533 | Filler cap | 1 | 12 | |
| 12 | 9645 948 7734 | O-ring 25x3.5 | 1 | | |
| 13 | 0000 967 7247 | Warning pictogram MS | 1 | | |
| 14 | 1144 141 8600 | Impulse hose | 1 | | |
| 15 | 1144 989 0800 | Grommet | 1 | | |
| 19 | 1144 123 7514 | Grommet | 1 | | |

Throttle control

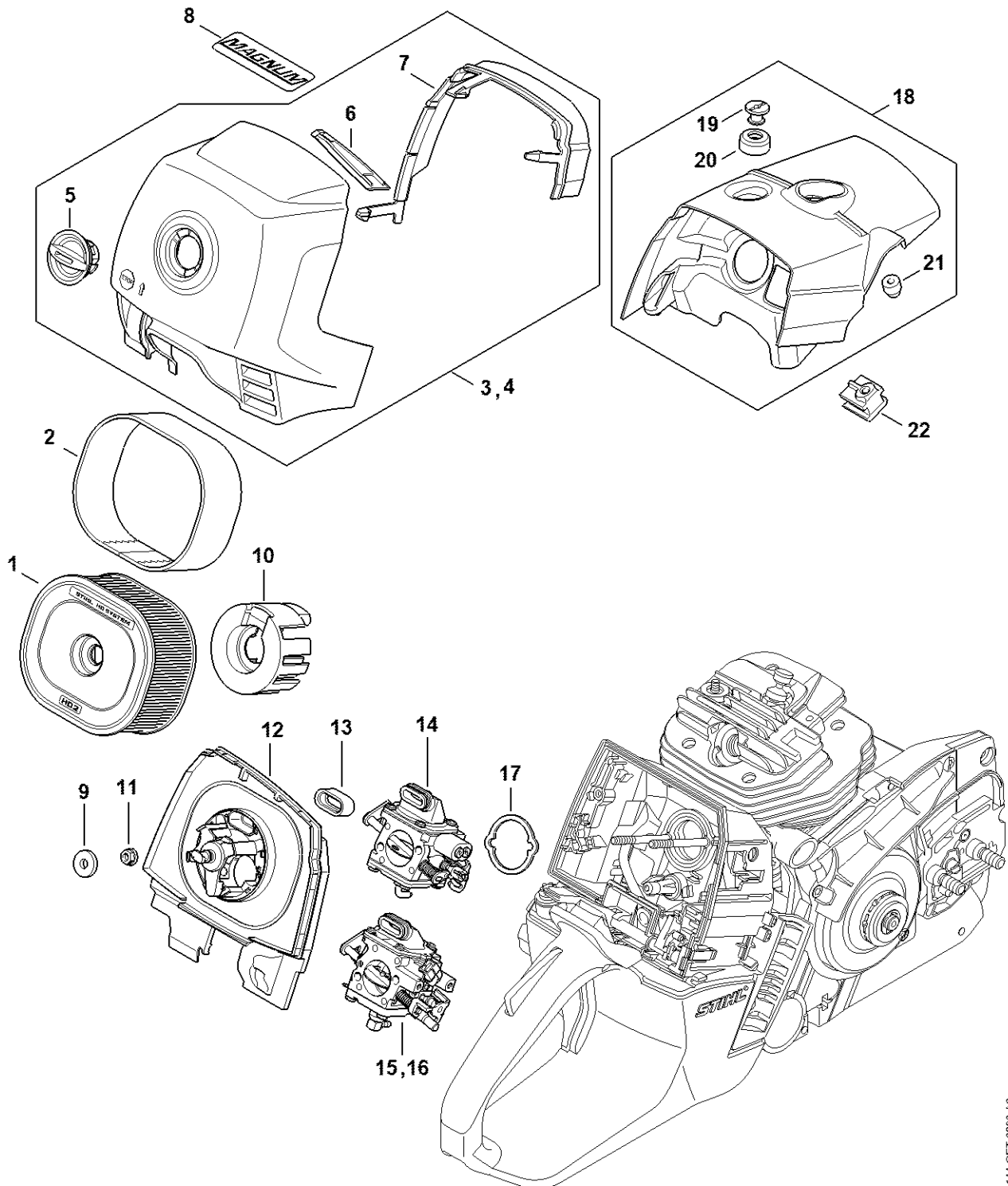


1144-GET-0089-A0

Throttle control

| # | Part Number | Description | Quantity | Contains Item(s) | Remarks |
|----|---------------|----------------------|----------|------------------|---------|
| 2 | 1144 180 1501 | Throttle trigger | 1 | | |
| 3 | 9371 470 2620 | Cylindrical pin 5x20 | 1 | | |
| 4 | 1117 182 4500 | Torsion spring | 1 | | |
| 5 | 1141 182 0800 | Lockout lever | 1 | | |
| 6 | 1144 182 1500 | Throttle rod | 1 | | |
| 7 | 1144 182 0700 | Grommet | 1 | | |
| 16 | 1144 182 2110 | Retainer | 1 | | |
| 17 | 1144 442 1610 | Contact spring | 1 | | |
| 18 | 1144 182 0910 | Switch shaft | 1 | | |
| 19 | 1144 791 0600 | Handle molding | 1 | | |

Air filter, Shroud

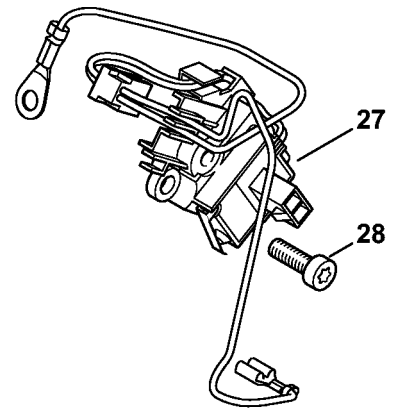
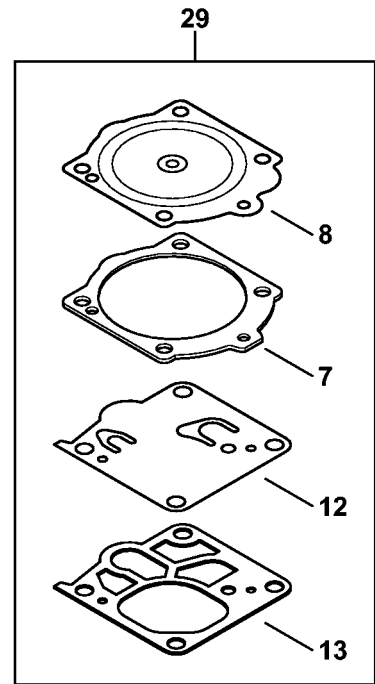
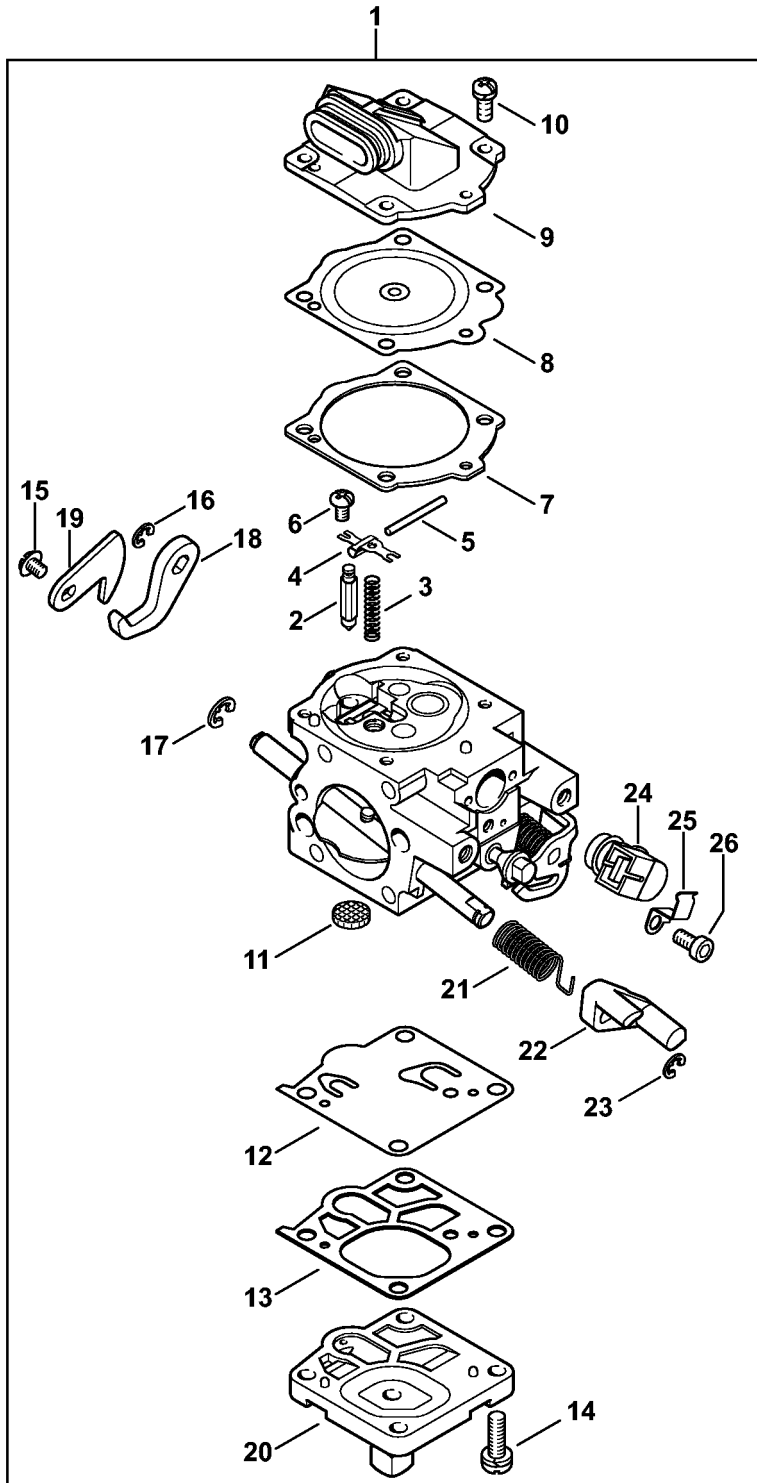


1144-GET-0090-A0

Air filter, Shroud

| # | Part Number | Description | Quantity | Contains Item(s) | Remarks |
|----|---------------|--|----------|------------------|---------|
| 1 | 1144 140 4402 | Air filter HD2 | 1 | | |
| 2 | 0000 141 0602 | Prefilter | 1 | | |
| 4 | 1144 140 1010 | Filter cover | 1 | 5 - 7 | |
| 5 | 1144 141 2300 | Twist lock | 1 | | |
| 6 | 1144 141 4000 | Slide | 1 | | |
| 7 | 1144 141 6300 | Air baffle | 1 | | |
| 8 | 0000 967 1593 | Model plate Magnum | 1 | | |
| 9 | 1144 129 0900 | Gasket | 1 | | |
| 10 | 1144 121 6900 | Baffle | 1 | | |
| 11 | 9216 261 0700 | Hexagon nut M5 | 2 | | |
| 12 | 1144 140 1200 | Filter base | 1 | | |
| 13 | 1124 121 9100 | Bushing | 1 | | |
| 15 | 1144 120 0612 | Carburetor WJ-140A Above Serial Number: 184316256 | 1 | | |
| 16 | 1144 120 0614 | Carburetor WJ-143A | 1 | | |
| 17 | 1128 121 8600 | Washer | 1 | | |
| 18 | 1144 080 1600 | Shroud | 1 | 19 - 21 | |
| 19 | 0000 084 7000 | Slotted nut | 1 | | |
| 20 | 0000 084 6900 | Insulator | 1 | | |
| 21 | 1121 084 7100 | Cap | 1 | | |
| 22 | 1135 028 1001 | Grommet | 1 | | |

Carburetor WJ-140



1144-GET-0022-A0

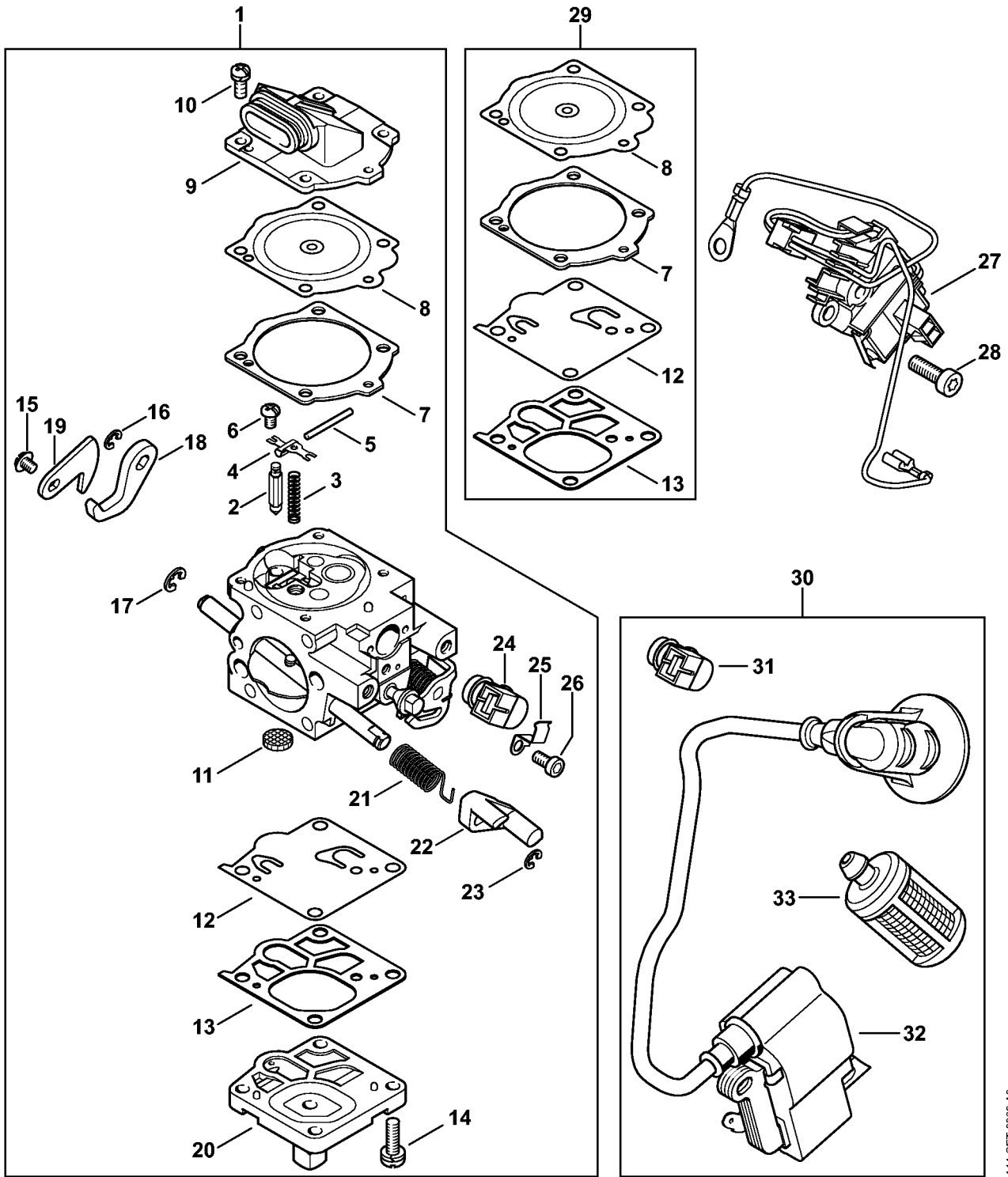
Carburetor WJ-140

| # | Part Number | Description | Quantity | Contains Item(s) | Remarks |
|----|---------------|--|----------|------------------|---------|
| 1 | 1144 120 0612 | Carburetor WJ-140A Above Serial Number: 184316256 | 1 | 2 - 26 | |
| 2 | 1110 121 5100 | Inlet needle | 1 | | |
| 3 | 1117 122 3005 | Spring | 1 | | |
| 4 | 1117 121 5000 | Inlet control lever | 1 | | |
| 5 | 1117 121 9200 | Spindle | 1 | | |
| 6 | 1114 122 7400 | Round head screw | 1 | | |
| 7 | 1116 129 0900 | Gasket | 1 | | |
| 8 | 1144 121 4700 | Metering diaphragm | 1 | | |
| 9 | 1144 121 0802 | End cover | 1 | | |
| 10 | 1121 122 7101 | Screw | 4 | | |
| 11 | 1114 121 7800 | Strainer | 1 | | |
| 12 | 1115 121 4800 | Pump diaphragm | 1 | | |
| 13 | 1115 129 1100 | Gasket | 1 | | |
| 14 | 1144 122 7100 | Screw | 4 | | |
| 15 | 1121 122 7102 | Round head screw | 1 | | |
| 16 | 1123 122 9000 | E-clip | 1 | | |
| 17 | 1117 122 9000 | E-clip | 1 | | |
| 18 | 1144 121 3501 | Throttle lever | 1 | | |
| 19 | 1144 121 6601 | Lever | 1 | | |
| 20 | 1144 121 0800 | End cover | 1 | | |
| 21 | 1144 122 3000 | Spring | 1 | | |
| 22 | 1144 121 6602 | Lever | 1 | | |
| 23 | 1123 122 9000 | E-clip | 1 | | |
| 24 | 0000 120 5104 | Solenoid valve | 1 | | |
| 25 | 0000 121 2300 | Support | 1 | | |
| 26 | 0000 122 7102 | Screw | 1 | | |

Carburetor WJ-140

| # | Part Number | Description | Quantity | Contains Item(s) | Remarks |
|----|---------------|-------------------------|----------|------------------|---------|
| 27 | 1144 430 1010 | Trigger unit | 1 | | |
| 28 | 9022 313 0658 | Spline screw IS-M4x12 | 2 | | |
| 29 | 1144 007 1700 | Set of carburetor parts | 1 | 7, 8, 12, 13 | |

Carburetor WJ-143



1144-GET-006S-A0

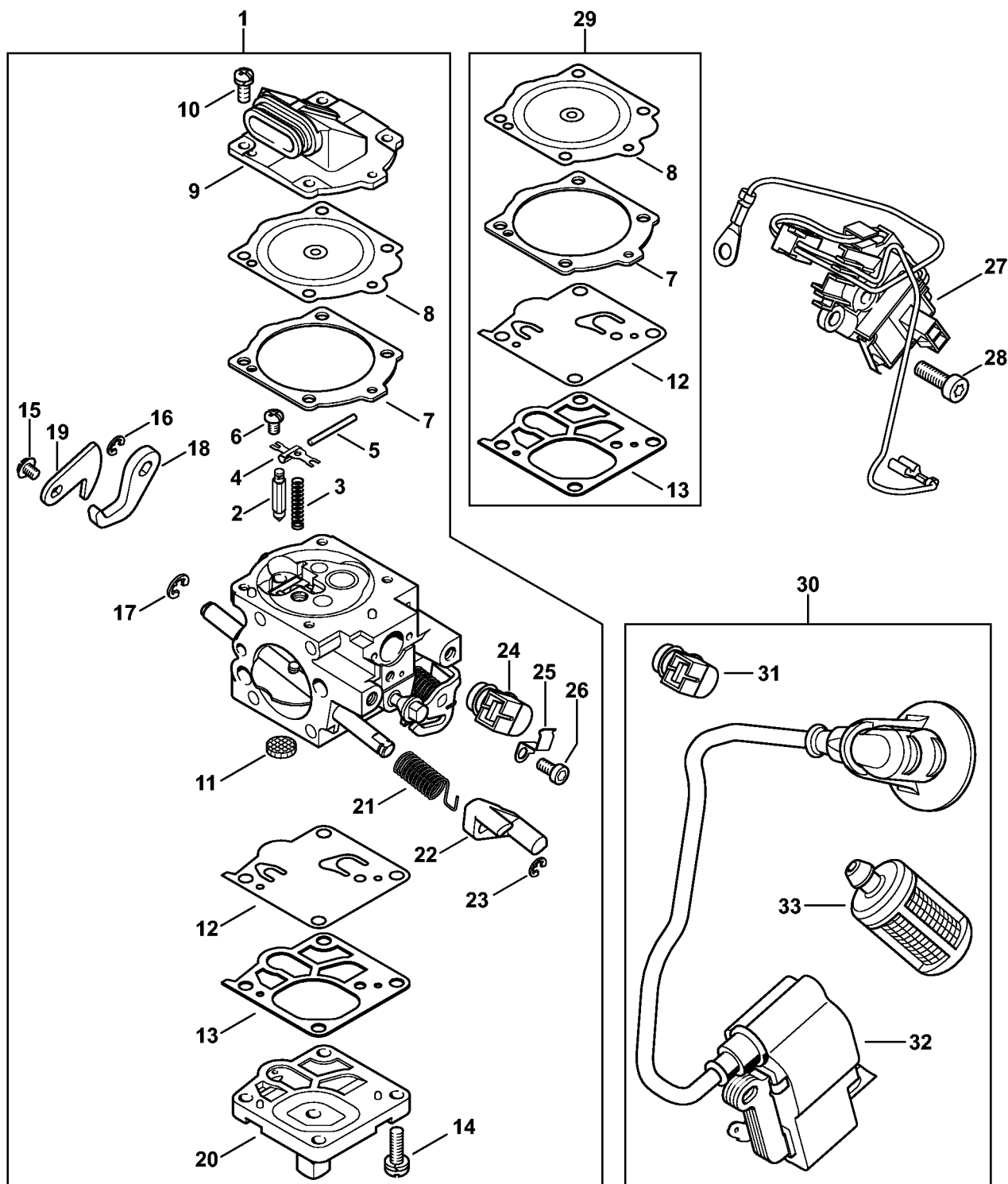
Carburetor WJ-143

| # | Part Number | Description | Quantity | Contains Item(s) | Remarks |
|----|---------------|---------------------|----------|------------------|---------|
| 1 | 1144 120 0614 | Carburetor WJ-143A | 1 | 2 - 26 | |
| 2 | 1110 121 5100 | Inlet needle | 1 | | |
| 3 | 1117 122 3005 | Spring | 1 | | |
| 4 | 1117 121 5000 | Inlet control lever | 1 | | |
| 5 | 1117 121 9200 | Spindle | 1 | | |
| 6 | 1114 122 7400 | Round head screw | 1 | | |
| 7 | 1116 129 0900 | Gasket | 1 | | |
| 8 | 1144 121 4700 | Metering diaphragm | 1 | | |
| 9 | 1144 121 0802 | End cover | 1 | | |
| 10 | 1121 122 7101 | Screw | 4 | | |
| 11 | 1114 121 7800 | Strainer | 1 | | |
| 12 | 1115 121 4800 | Pump diaphragm | 1 | | |
| 13 | 1115 129 1100 | Gasket | 1 | | |
| 14 | 1144 122 7100 | Screw | 4 | | |
| 15 | 1121 122 7102 | Round head screw | 1 | | |
| 16 | 1123 122 9000 | E-clip | 1 | | |
| 17 | 1117 122 9000 | E-clip | 1 | | |
| 18 | 1144 121 3501 | Throttle lever | 1 | | |
| 19 | 1144 121 6601 | Lever | 1 | | |
| 20 | 1144 121 0800 | End cover | 1 | | |
| 21 | 1144 122 3000 | Spring | 1 | | |
| 22 | 1144 121 6602 | Lever | 1 | | |
| 23 | 1123 122 9000 | E-clip | 1 | | |
| 24 | 0000 120 5111 | Solenoid valve | 1 | | |
| 25 | 0000 121 2300 | Support | 1 | | |
| 26 | 0000 122 7102 | Screw | 1 | | |
| 27 | 1144 430 1010 | Trigger unit | 1 | | |

Carburetor WJ-143

| # | Part Number | Description | Quantity | Contains Item(s) | Remarks |
|----|---------------|-------------------------|----------|------------------|---------|
| 28 | 9022 313 0658 | Spline screw IS-M4x12 | 2 | | |
| 29 | 1144 007 1700 | Set of carburetor parts | 1 | 7, 8, 12, 13 | |
| 30 | 1144 007 1801 | Service kit M-Tronic | 1 | 31 - 33 | |
| 31 | 0000 120 5104 | Solenoid valve | 1 | | |
| 32 | 1144 400 4704 | Control unit | 1 | | |
| 33 | 0000 350 3518 | Pickup body | 1 | | |

Carburetor WJ-134



1144-GET-0069-A0

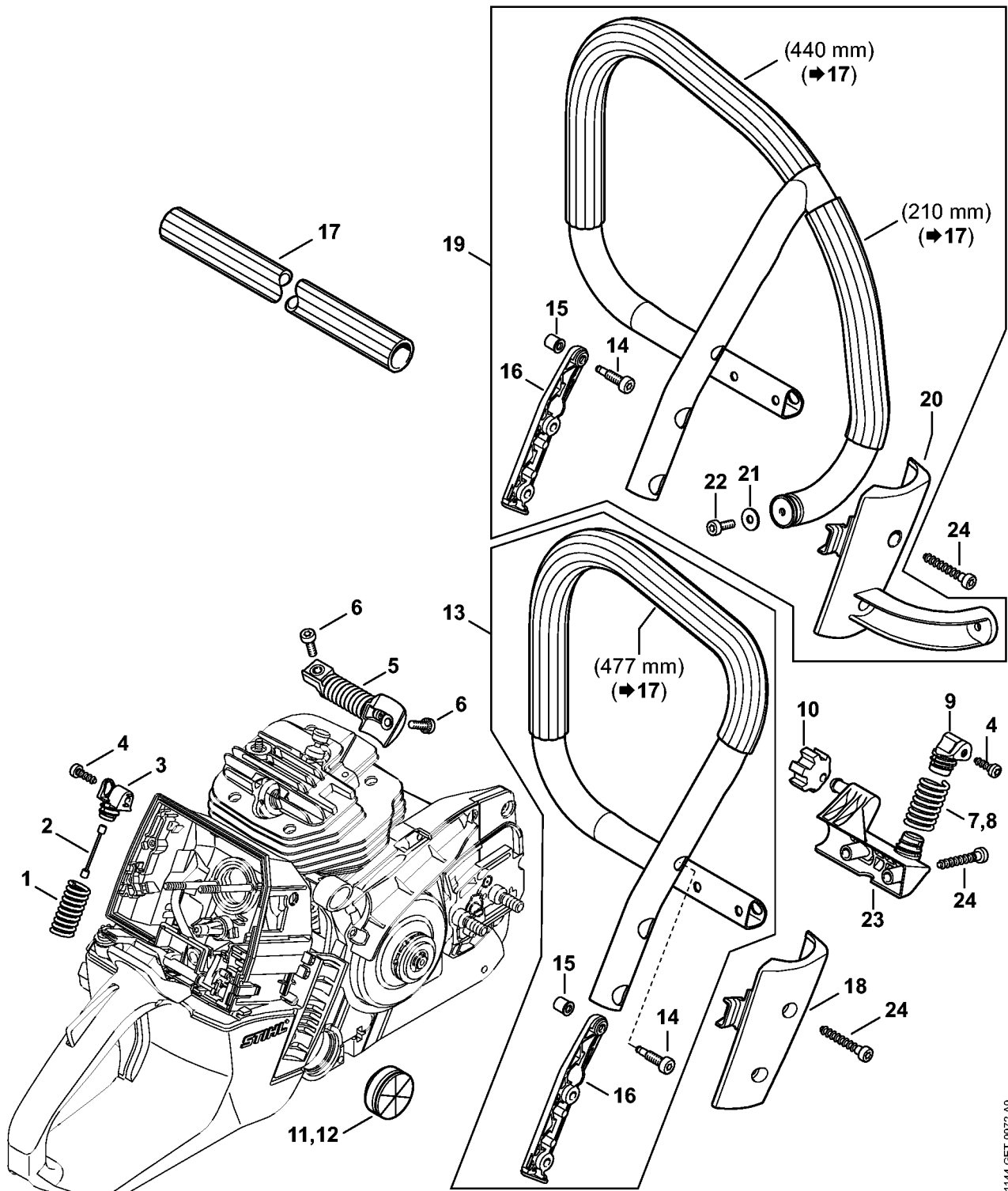
Carburetor WJ-134

| # | Part Number | Description | Quantity | Contains Item(s) | Remarks |
|----|---------------|---------------------|----------|------------------|---------|
| 1 | 1144 120 0610 | Carburetor WJ-134A | 1 | 2 - 26 | |
| 2 | 1110 121 5100 | Inlet needle | 1 | | |
| 3 | 1117 122 3005 | Spring | 1 | | |
| 4 | 1117 121 5000 | Inlet control lever | 1 | | |
| 5 | 1117 121 9200 | Spindle | 1 | | |
| 6 | 1114 122 7400 | Round head screw | 1 | | |
| 7 | 1116 129 0900 | Gasket | 1 | | |
| 8 | 1144 121 4700 | Metering diaphragm | 1 | | |
| 9 | 1144 121 0802 | End cover | 1 | | |
| 10 | 1121 122 7101 | Screw | 4 | | |
| 11 | 1114 121 7800 | Strainer | 1 | | |
| 12 | 1115 121 4800 | Pump diaphragm | 1 | | |
| 13 | 1115 129 1100 | Gasket | 1 | | |
| 14 | 1144 122 7100 | Screw | 4 | | |
| 15 | 1121 122 7102 | Round head screw | 1 | | |
| 16 | 1123 122 9000 | E-clip | 1 | | |
| 17 | 1117 122 9000 | E-clip | 1 | | |
| 18 | 1144 121 3501 | Throttle lever | 1 | | |
| 19 | 1144 121 6601 | Lever | 1 | | |
| 20 | 1144 121 0800 | End cover | 1 | | |
| 21 | 1144 122 3000 | Spring | 1 | | |
| 22 | 1144 121 6602 | Lever | 1 | | |
| 23 | 1123 122 9000 | E-clip | 1 | | |
| 24 | 0000 120 5111 | Solenoid valve | 1 | | |
| 25 | 0000 121 2300 | Support | 1 | | |
| 26 | 0000 122 7102 | Screw | 1 | | |
| 27 | 1144 430 1010 | Trigger unit | 1 | | |

Carburetor WJ-134

| # | Part Number | Description | Quantity | Contains Item(s) | Remarks |
|----|---------------|-------------------------|----------|------------------|---------|
| 28 | 9022 313 0658 | Spline screw IS-M4x12 | 2 | | |
| 29 | 1144 007 1700 | Set of carburetor parts | 1 | 7, 8, 12, 13 | |
| 30 | 1144 007 1801 | Service kit M-Tronic | 1 | 31 - 33 | |
| 31 | 0000 120 5104 | Solenoid valve | 1 | | |
| 32 | 1144 400 4704 | Control unit | 1 | | |
| 33 | 0000 350 3518 | Pickup body | 1 | | |

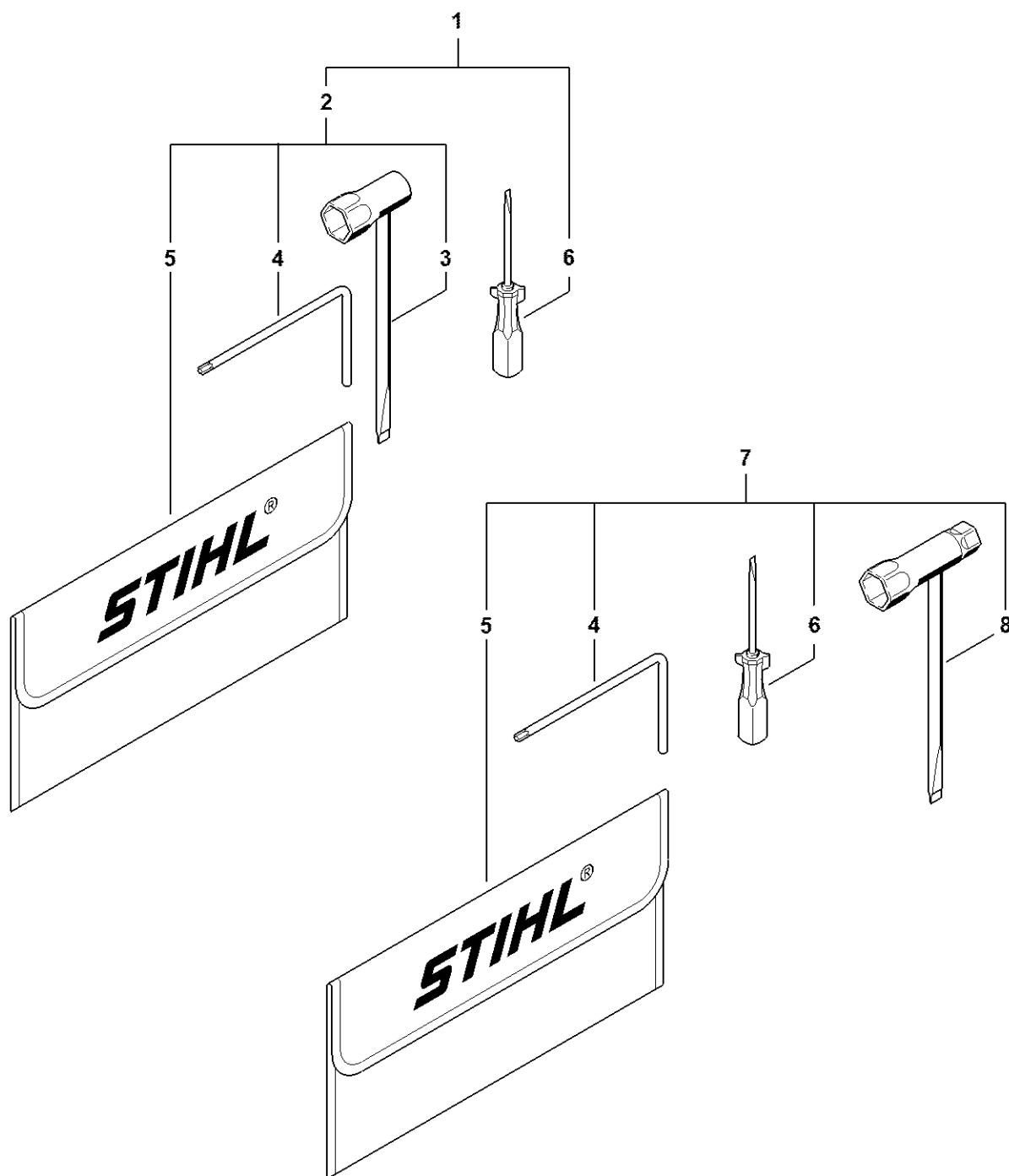
AV system, Handlebar



1144-GET-0072-A0

AV system, Handlebar

| # | Part Number | Description | Quantity | Contains Item(s) | Remarks |
|----|---------------|--------------------------------------|----------|------------------|---------|
| 1 | 1144 791 3100 | Spring | 1 | | |
| 2 | 1144 790 8100 | Retainer | 1 | | |
| 3 | 1144 792 2901 | AV mount | 1 | | |
| 4 | 9074 477 4130 | Pan head self-tapping screw IS-P5x16 | 2 | | |
| 5 | 1144 790 8301 | AV-Spring | 1 | | |
| 6 | 9022 341 0983 | Spline screw IS-M5x16 | 2 | | |
| 7 | 1144 791 3102 | Spring | 1 | | |
| 9 | 1144 792 2906 | AV mount | 1 | | |
| 10 | 1135 791 2800 | Annular buffer | 1 | | |
| 11 | 1138 791 5903 | Stop buffer | 1 | | |
| 13 | 1144 790 1702 | Handlebar | 1 | 14 - 16 | |
| 14 | 1141 791 6100 | Collar screw | 1 | | |
| 15 | 0000 791 7904 | Bushing | 1 | | |
| 16 | 1144 791 5100 | Handlebar stiffener | 1 | | |
| 17 | 0000 791 2009 | Handle hose Ø 19 mm x 5 m / 3/4x197" | 1 | | |
| 18 | 1144 791 7500 | Cover | 1 | | |
| 23 | 1144 791 1900 | Handlebar support | 1 | | |
| 24 | 9074 478 4705 | Pan head self-tapping screw IS-P6x40 | 4 | | |

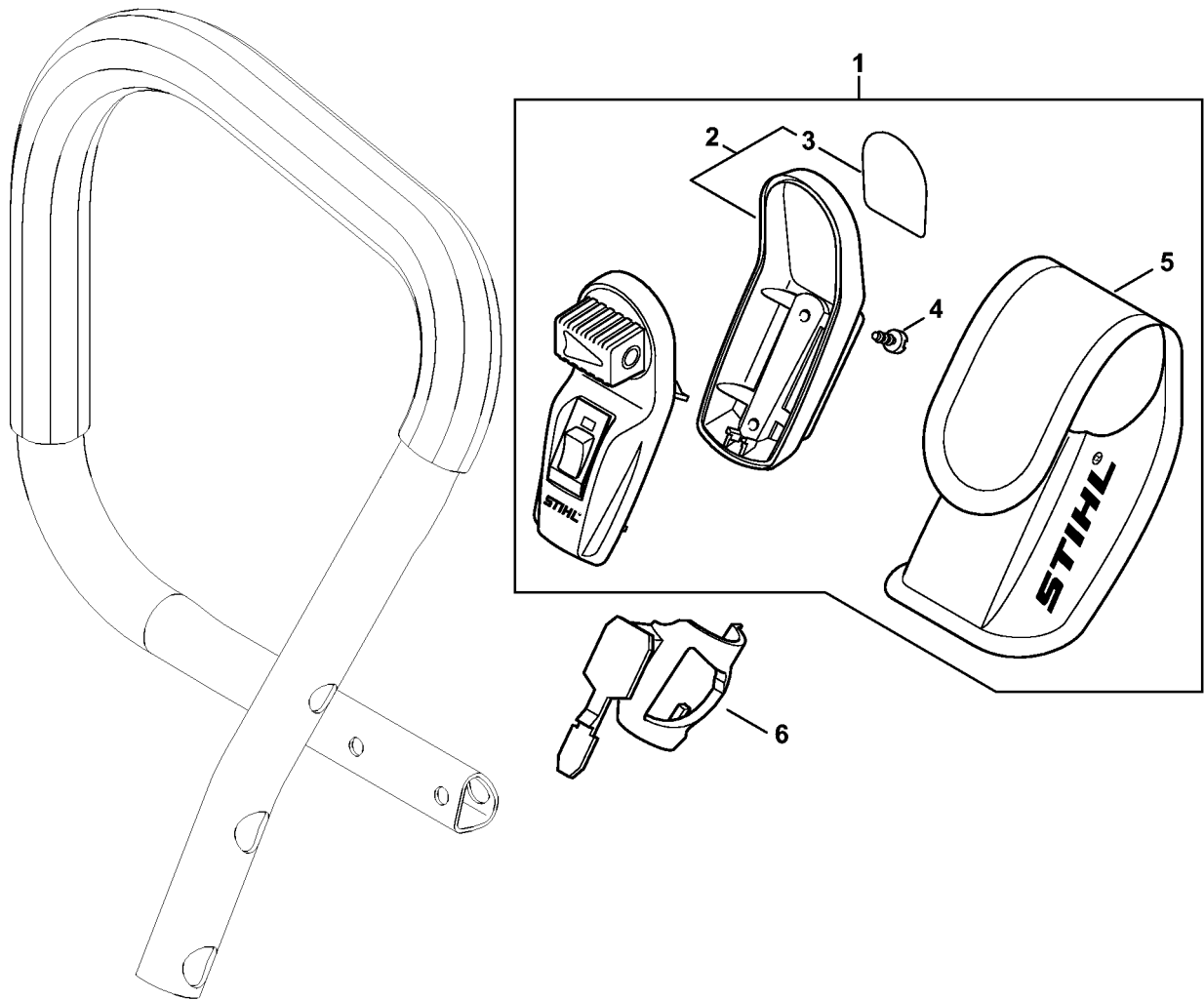


1144 GET 0094 AG

Tools, Extras

| # | Part Number | Description | Quantity | Contains Item(s) | Remarks |
|---|---------------|------------------------|----------|------------------|---------|
| 2 | 1144 890 1401 | Tool kit | 1 | 3 - 5 | |
| 3 | 1119 890 3405 | Combination wrench | 1 | | |
| 4 | 0812 370 1000 | Screwdriver T27x120x70 | 1 | | |
| 5 | 0000 891 0810 | Tool roll | 1 | | |
| 6 | 0000 890 2300 | Screwdriver | 1 | | |

2-in-1 laser

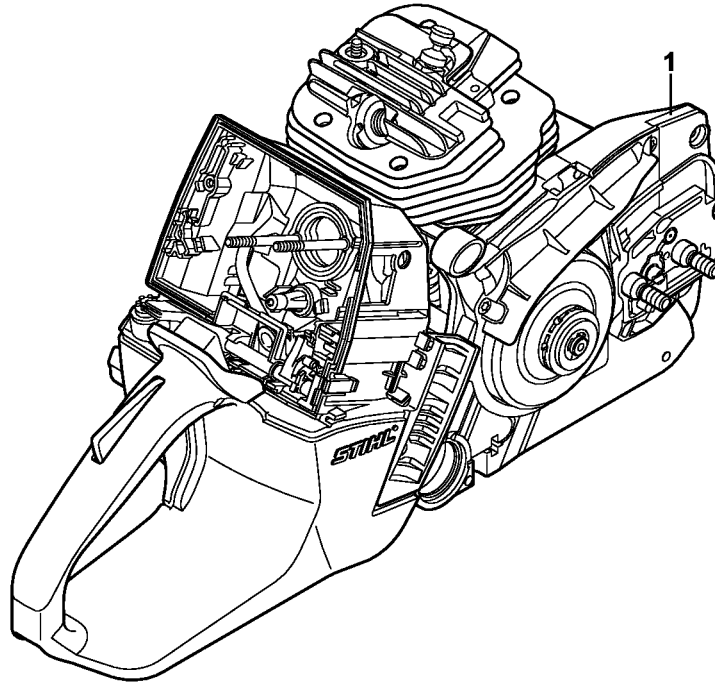


1144-GET-0038-A0

2-in-1 laser

| # | Part Number | Description | Quantity | Contains Item(s) | Remarks |
|---|---------------|--------------------------------------|----------|------------------|---------|
| 1 | 0000 400 0200 | Laser | 1 | 2 - 5 | |
| 2 | 0000 430 9900 | Handle molding, bottom | 1 | 3 | |
| 3 | 0000 967 7307 | Warning pictogram | 1 | | |
| 4 | 9074 478 2967 | Pan head self-tapping screw IS-P4x10 | 2 | | |
| 5 | 0000 491 0100 | Bag | 1 | | |
| 6 | 1144 791 5400 | Support | 1 | | |

Serial number

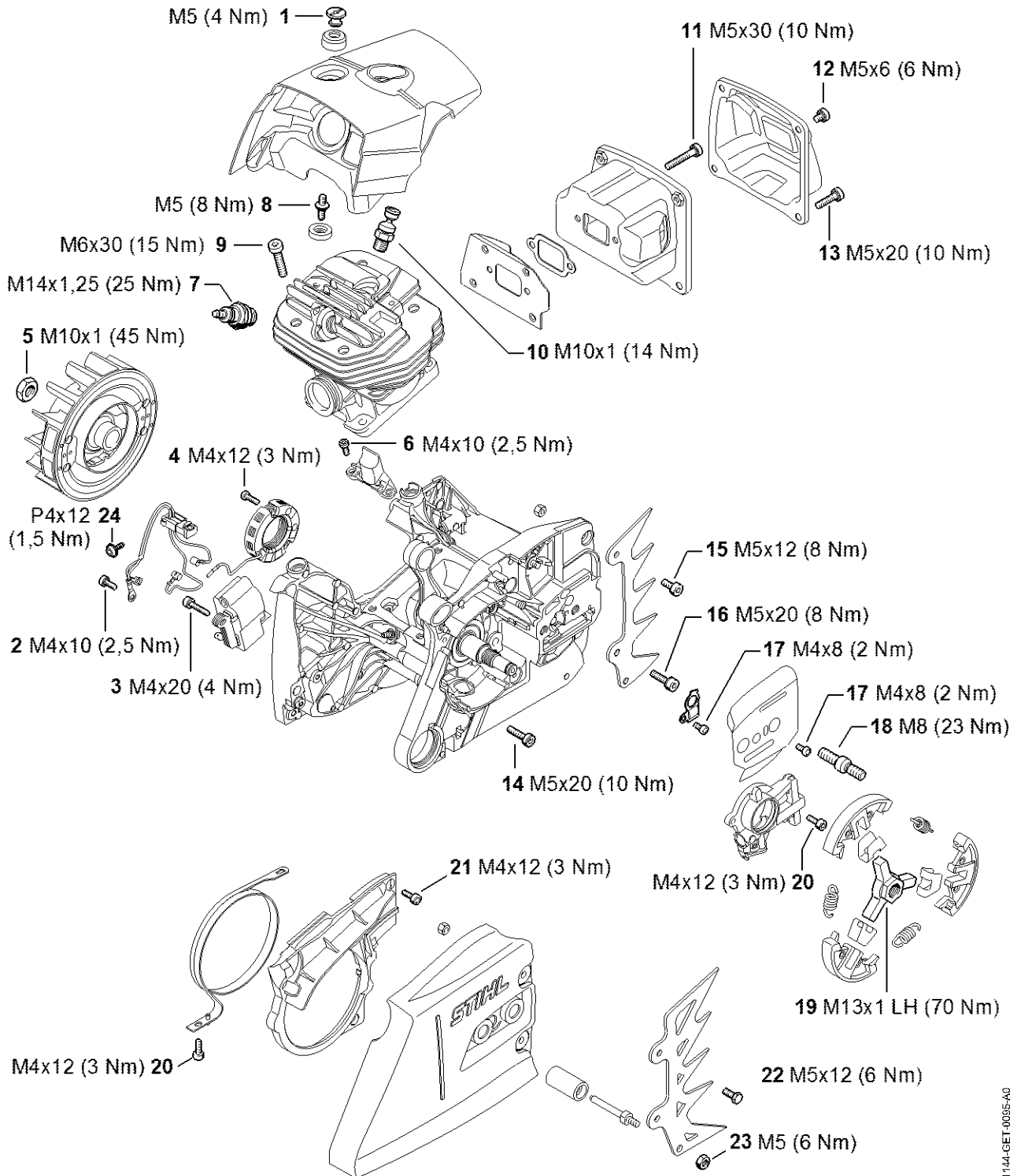


1166ET015 SC

Serial number

| # | Part Number | Description | Quantity | Contains Item(s) | Remarks |
|---|---------------|---------------------------|----------|------------------|---------|
| 1 | 0000 100 0919 | Position of serial number | 1 | | |

Tightening torques



1144-GET-0035-A0

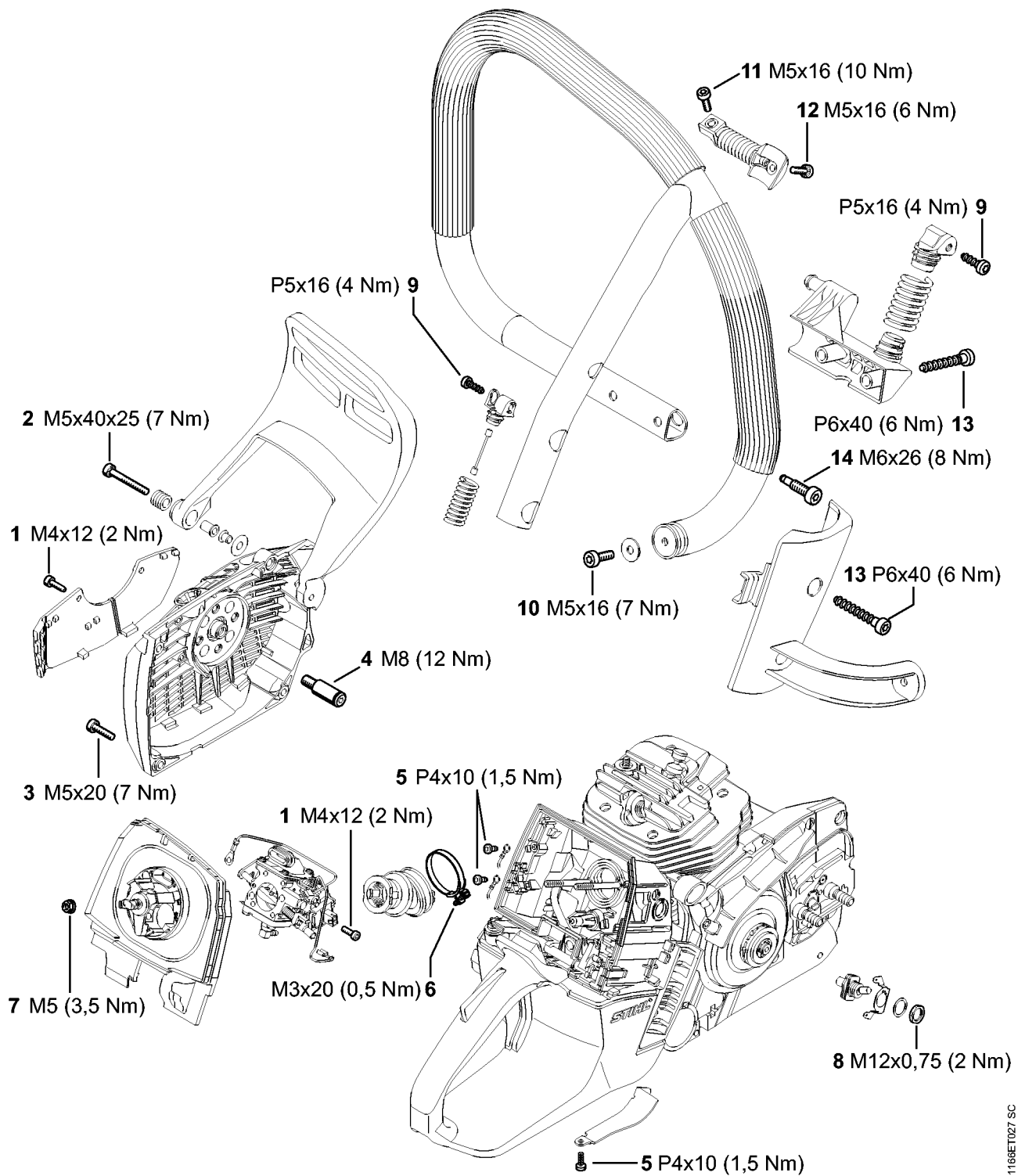
Tightening torques

| # | Part Number | Description | Quantity | Contains Item(s) | Remarks |
|----|---------------|-----------------------|----------|------------------|---|
| 1 | 0000 084 7000 | Slotted nut | 1 | | |
| 2 | 9022 341 0650 | Spline screw IS-M4x10 | 1 | | Micro-encapsulated with binding thread |
| 3 | 9022 341 0710 | Spline screw IS-M4x20 | 2 | | micro-encapsulated |
| 5 | 9211 260 1340 | Hexagon nut M10x1 | 1 | | |
| 6 | 9022 313 0651 | Spline screw IS-M4x10 | 2 | | micro-encapsulated |
| 7 | 0000 400 7000 | Spark plug NGK BPMR7A | 1 | | |
| 8 | 0000 953 0810 | Stud M5 | 1 | | |
| 9 | 9022 341 1370 | Spline screw IS-M6x30 | 4 | | Binding thread |
| 10 | 1124 020 9401 | Decompression valve | 1 | | |
| 11 | 9022 373 1070 | Spline screw IS-M5x30 | 2 | | High strength threadlocking adhesive |
| 12 | 9022 341 0911 | Spline screw IS-M5x6 | 2 | | Micro-encapsulated with binding thread |
| 13 | 9022 399 1020 | Spline screw IS-M5x20 | 2 | | Micro-encapsulated with binding thread |
| 14 | 9022 371 1020 | Spline screw IS-M5x20 | 6 | | Binding thread |
| 15 | 9022 341 0960 | Spline screw IS-M5x12 | 1 | | Binding thread |
| 16 | 9022 341 1019 | Spline screw IS-M5x20 | 1 | | micro-encapsulated |
| 17 | 9022 313 0633 | Spline screw IS-M4x8 | 2 | | Binding thread |
| 18 | 0000 664 2417 | Collar screw M8 | 2 | | Medium-high strength threadlocking adhesive |
| 19 | 1144 160 2001 | Clutch | 1 | | |

Tightening torques

| # | Part Number | Description | Quantity | Contains Item(s) | Remarks |
|----|---------------|--------------------------|----------|------------------|--|
| 20 | 9022 346 0658 | Spline screw IS-M4x12 | 3 | | Micro-encapsulated with binding thread |
| 21 | 9022 313 0660 | Spline screw IS-M4x12 | 3 | | Binding thread |
| 22 | 9008 345 0960 | Hexagon head screw M5x12 | 2 | | |
| 23 | 9214 320 0700 | Lock nut M5 | 1 | | |

Tightening torques

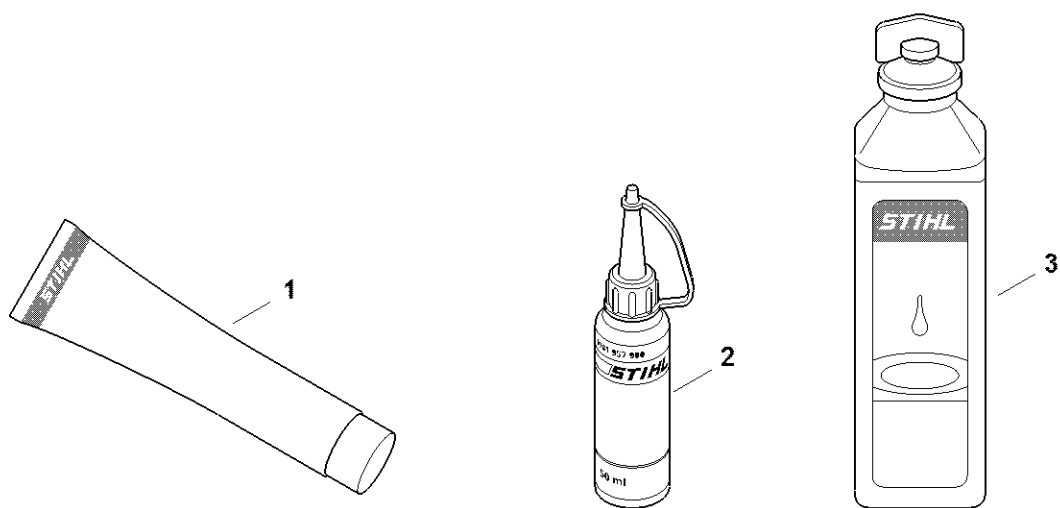


1168ET1027 SC

Tightening torques

| # | Part Number | Description | Quantity | Contains Item(s) | Remarks |
|----|---------------|--------------------------------------|----------|------------------|--|
| 1 | 9022 313 0658 | Spline screw IS-M4x12 | 4 | | micro-encapsulated |
| 2 | 9022 341 1090 | Spline screw IS-M5x40 | 1 | | Binding thread |
| 3 | 9022 371 1020 | Spline screw IS-M5x20 | 3 | | Binding thread |
| 4 | 1122 084 6502 | Axle | 1 | | micro-encapsulated |
| 5 | 9074 478 2970 | Pan head self-tapping screw IS-P4x10 | 3 | | |
| 6 | 9771 021 2620 | Hose clip Ø 36x5 | 1 | | |
| 7 | 9216 261 0700 | Hexagon nut M5 | 2 | | |
| 9 | 9074 477 4130 | Pan head self-tapping screw IS-P5x16 | 2 | | |
| 11 | 9022 341 0983 | Spline screw IS-M5x16 | 1 | | Micro-encapsulated with binding thread |
| 12 | 9022 341 0983 | Spline screw IS-M5x16 | 1 | | Micro-encapsulated with binding thread |
| 13 | 9074 478 4705 | Pan head self-tapping screw IS-P6x40 | 4 | | |
| 14 | 1141 791 6100 | Collar screw | 1 | | |

Miscellaneous lubricants and greases

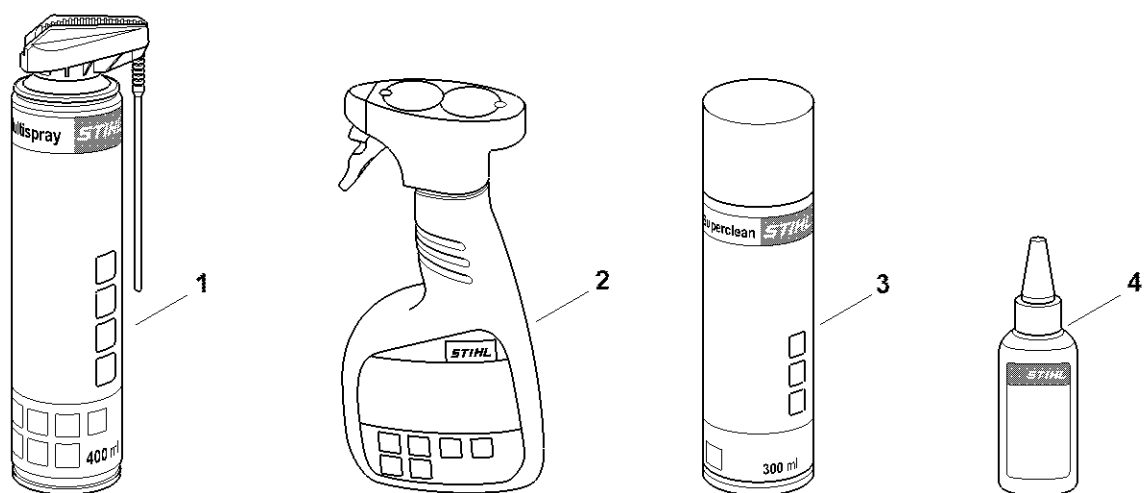


0000-GET-0170-A0

Miscellaneous lubricants and greases

| # | Part Number | Description | Quantity | Contains Item(s) | Remarks |
|---|---------------|---------------------------|----------|------------------|---------|
| 1 | 0781 120 1021 | STIHL Multilub 40g tube | 1 | | |
| 1 | 0781 120 1109 | Multipurpose grease 80 g | 1 | | |
| 1 | 0781 120 1110 | Multipurpose grease 225 g | 1 | | |
| 2 | 0781 957 9000 | Press fluid OH 723 | 1 | | |
| 3 | 0781 319 8401 | HP 100ml | 1 | | |
| 3 | 0781 319 8052 | HP Super 100ml | 1 | | |
| 3 | 0781 319 8060 | HP Ultra 100ml | 1 | | |

Cleaning products

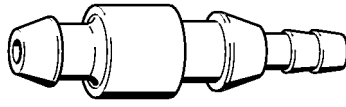


0000-GET-0171-A0

Cleaning products

| # | Part Number | Description | Quantity | Contains Item(s) | Remarks |
|---|---------------|----------------------|----------|------------------|---------|
| 1 | 0730 411 7002 | Multispray 50 ml | 1 | | |
| 1 | 0730 411 7000 | Multispray | 1 | | |
| 2 | 0000 881 9400 | Special cleaner | 1 | | |
| 2 | 0000 881 9409 | Special cleaner 5 l | 1 | | |
| 3 | 0782 420 1001 | Resin solvent 50 ml | 1 | | |
| 3 | 0782 420 1002 | Resin solvent 300 ml | 1 | | |
| 4 | 0782 516 8500 | Multioil Bio 50 ml | 1 | | |

Nipple



901SW008 GM

Nipple

| # | Part Number | Description | Quantity | Contains Item(s) | Remarks |
|---|---------------|-------------|----------|------------------|---------|
| | 0000 855 9200 | Nipple | 1 | | |

Installing tool

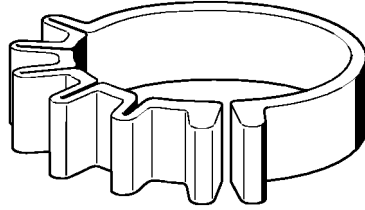


901SW009 GM

Installing tool

| # | Part Number | Description | Quantity | Contains Item(s) | Remarks |
|---|---------------|-----------------|----------|------------------|---------|
| | 0000 890 2201 | Installing tool | 1 | | |
| | 9210 319 0900 | Hexagon nut M6 | 1 | | |

Clamping strap



901SW011 GM

Clamping strap

| # | Part Number | Description | Quantity | Contains Item(s) | Remarks |
|---|---------------|----------------|----------|------------------|---------|
| | 0000 893 2600 | Clamping strap | 1 | | |

Puller

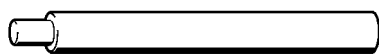


901SW017 GM

Puller

| # | Part Number | Description | Quantity | Contains Item(s) | Remarks |
|---|---------------|---------------------------|----------|------------------|---------|
| | 1106 890 4501 | Puller | 1 | | |
| | 0000 951 0920 | Hexagon head screw M10x55 | 1 | | |
| | 1107 894 1000 | Thrust piece | 1 | | |

Assembly drift

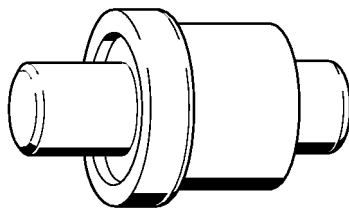


901SW023 GM

Assembly drift

| # | Part Number | Description | Quantity | Contains Item(s) | Remarks |
|---|---------------|----------------|----------|------------------|---------|
| | 1108 893 4700 | Assembly drift | 1 | | |

Press arbor

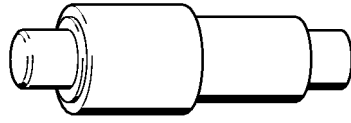


901 SW062 GM

Press arbor

| # | Part Number | Description | Quantity | Contains Item(s) | Remarks |
|---|---------------|-------------|----------|------------------|---------|
| | 1118 893 7200 | Press arbor | 1 | | |

Press arbor



901SW067 GM

Press arbor

| # | Part Number | Description | Quantity | Contains Item(s) | Remarks |
|---|---------------|-------------|----------|------------------|---------|
| | 1120 893 7200 | Press arbor | 1 | | |

Sealing plate

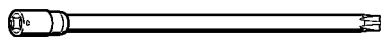


901 SW078 GM

Sealing plate

| # | Part Number | Description | Quantity | Contains Item(s) | Remarks |
|---|---------------|---------------|----------|------------------|---------|
| | 0000 855 8106 | Sealing plate | 1 | | |

Socket, T27x125



901SW091 GM

Socket, T27x125

| # | Part Number | Description | Quantity | Contains Item(s) | Remarks |
|---|---------------|--|----------|------------------|---------|
| | 0812 542 2104 | Driver bit, 1/4" square drive, T27x125 | 1 | | |

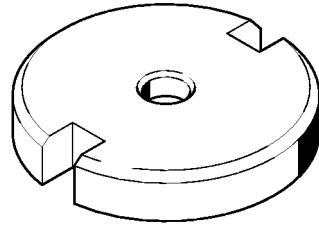
Hose 135 mm / 5 5/16"



901SW100 GM

Hose 135 mm / 5 5/16"

| # | Part Number | Description | Quantity | Contains Item(s) | Remarks |
|---|---------------|-----------------------|----------|------------------|---------|
| | 1110 141 8600 | Hose 135 mm / 5 5/16" | 1 | | |



901SW11 GM

Installing tool

| # | Part Number | Description | Quantity | Contains Item(s) | Remarks |
|---|---------------|-----------------|----------|------------------|---------|
| | 1116 893 4800 | Installing tool | 1 | | |

Assembly tube

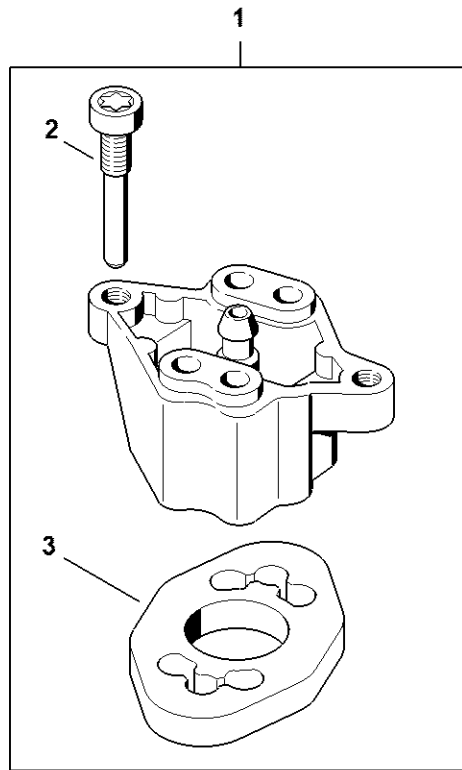


901SW112 GM

Assembly tube

| # | Part Number | Description | Quantity | Contains Item(s) | Remarks |
|---|---------------|---------------|----------|------------------|---------|
| | 1117 890 0900 | Assembly tube | 1 | | |

Flange

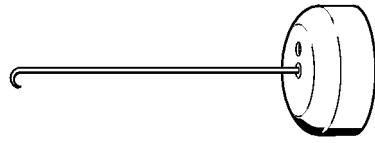


5910-GET-0183-A1

Flange

| # | Part Number | Description | Quantity | Contains Item(s) | Remarks |
|---|---------------|-------------|----------|------------------|---------|
| 1 | 5910 850 4207 | Flange | 1 | 2, 3 | |
| 2 | 1128 855 9000 | Screw M5x30 | 1 | | |
| 3 | 5910 851 9901 | Gasket | 1 | | |

Assembly hook

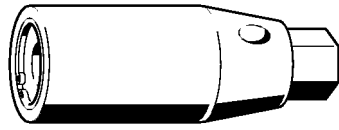


901SW205 GM

Assembly hook

| # | Part Number | Description | Quantity | Contains Item(s) | Remarks |
|---|---------------|---------------|----------|------------------|---------|
| | 5910 890 2800 | Assembly hook | 1 | | |

Stud puller, M8

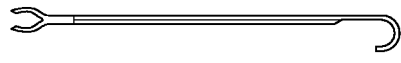


901SW209 GM

Stud puller, M8

| # | Part Number | Description | Quantity | Contains Item(s) | Remarks |
|---|---------------|-----------------|----------|------------------|---------|
| | 5910 893 0501 | Stud puller, M8 | 1 | | |

Assembly hook

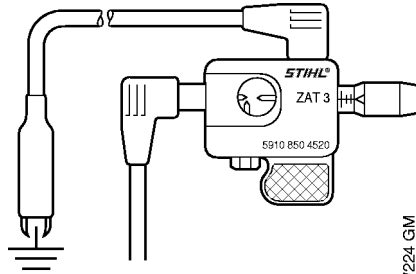


901SW221 GM

Assembly hook

| # | Part Number | Description | Quantity | Contains Item(s) | Remarks |
|---|---------------|---------------|----------|------------------|---------|
| | 5910 893 8800 | Assembly hook | 1 | | |

Ignition system tester, ZAT 3

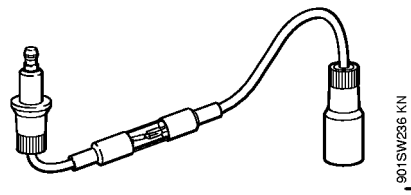


901 SW224 GM

Ignition system tester, ZAT 3

| # | Part Number | Description | Quantity | Contains Item(s) | Remarks |
|---|---------------|-------------------------------|----------|------------------|---------|
| | 5910 850 4520 | Ignition system tester, ZAT 3 | 1 | | |

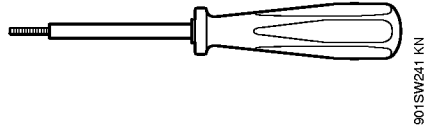
Ignition system tester, ZAT 4



Ignition system tester, ZAT 4

| # | Part Number | Description | Quantity | Contains Item(s) | Remarks |
|---|---------------|-------------------------------|----------|------------------|---------|
| | 5910 850 4503 | Ignition system tester, ZAT 4 | 1 | | |

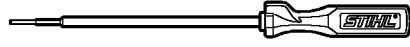
Puller



Puller

| # | Part Number | Description | Quantity | Contains Item(s) | Remarks |
|---|---------------|-------------|----------|------------------|---------|
| | 5910 890 4500 | Puller | 1 | | |

Screwdriver

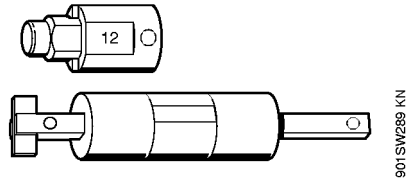


901SW282 KN

Screwdriver

| # | Part Number | Description | Quantity | Contains Item(s) | Remarks |
|---|---------------|-------------|----------|------------------|---------|
| | 5910 890 2304 | Screwdriver | 1 | | |

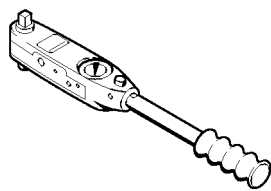
Installing tool, 12



Installing tool, 12

| # | Part Number | Description | Quantity | Contains Item(s) | Remarks |
|---|---------------|---------------------|----------|------------------|---------|
| | 5910 890 2212 | Installing tool, 12 | 1 | | |
| | 5910 893 1706 | Sleeve | 1 | | |

Torque wrench with optical/acoustic signal

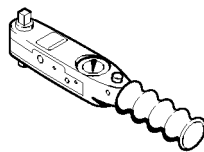


901SW290 KN

Torque wrench with optical/acoustic signal

| # | Part Number | Description | Quantity | Contains Item(s) | Remarks |
|---|---------------|--|----------|------------------|---------|
| | 5910 890 0312 | Torque wrench with optical/acoustic signal | 1 | | |

Torque wrench with optical/acoustic signal

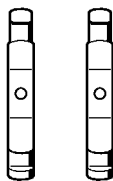


901SW292 KN

Torque wrench with optical/acoustic signal

| # | Part Number | Description | Quantity | Contains Item(s) | Remarks |
|---|---------------|--|----------|------------------|---------|
| | 5910 890 0302 | Torque wrench with optical/acoustic signal | 1 | | |

Jaw (profile No. 3.1 and 4)

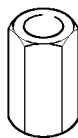


901 SW932 CM

Jaw (profile No. 3.1 and 4)

| # | Part Number | Description | Quantity | Contains Item(s) | Remarks |
|---|---------------|-----------------------------|----------|------------------|---------|
| | 0000 893 3706 | Jaw (profile No. 3.1 and 4) | 1 | | |

Screw sleeve



901 SW639 C/M

Screw sleeve

| # | Part Number | Description | Quantity | Contains Item(s) | Remarks |
|---|---------------|--------------|----------|------------------|---------|
| | 5910 893 2421 | Screw sleeve | 1 | | |

Plug

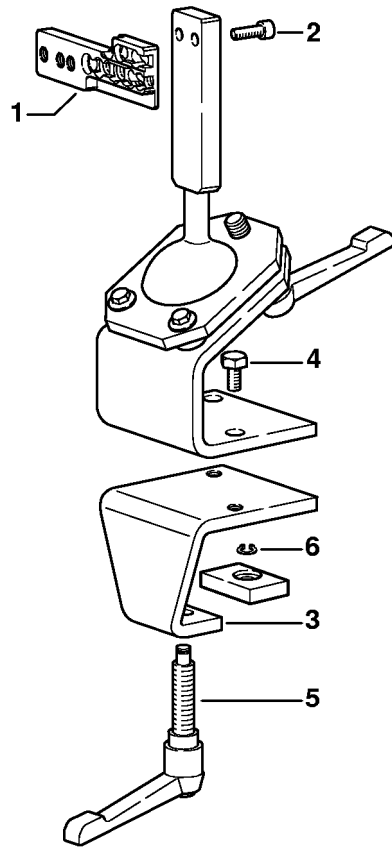


901SW357 GM

Plug

| # | Part Number | Description | Quantity | Contains Item(s) | Remarks |
|---|---------------|-------------|----------|------------------|---------|
| | 1122 025 2200 | Plug | 1 | | |

Assembly stand

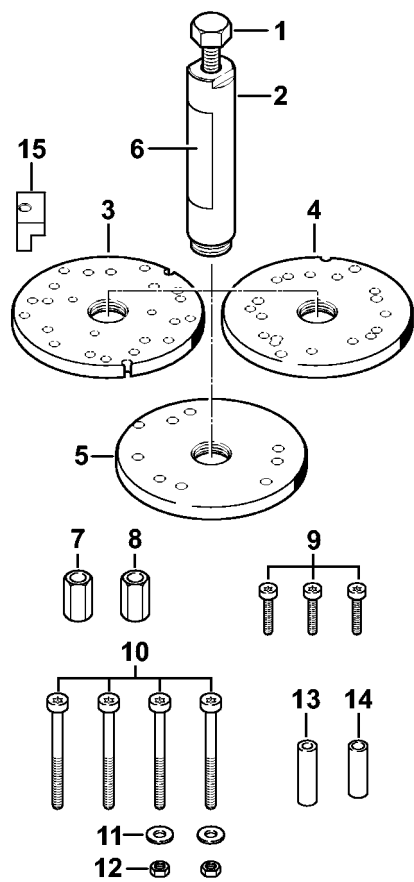


9015W363 SC

Assembly stand

| # | Part Number | Description | Quantity | Contains Item(s) | Remarks |
|---|---------------|---------------------------|----------|------------------|---------|
| | 5910 890 3101 | Assembly stand | 1 | 1 - 6 | |
| 1 | 5910 850 1651 | Support | 1 | | |
| 2 | 9045 319 2390 | Socket head screw M10x25 | 2 | | |
| 3 | 5910 850 2100 | Clamping plate | 1 | 4 - 6 | |
| 4 | 9008 319 2930 | Hexagon head screw M12x20 | 2 | | |
| 5 | 5910 890 1901 | Clamp lever | 1 | | |
| 6 | 9455 621 0850 | Circlip 10x1 | 1 | | |

Service tool ZS

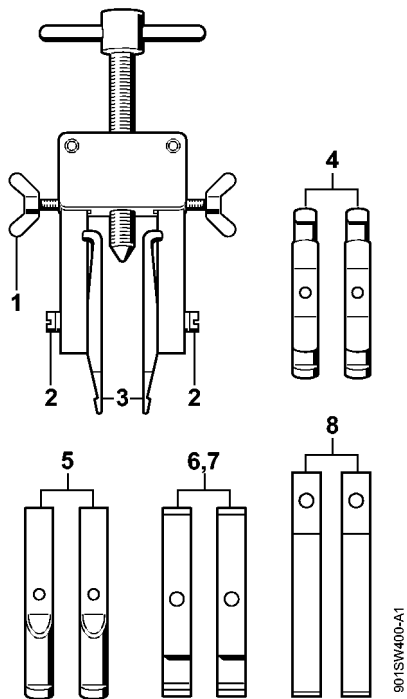


5910-GET-0121-A0

Service tool ZS

| # | Part Number | Description | Quantity | Contains Item(s) | Remarks |
|-----------|---------------|-----------------------|----------|------------------|---------|
| | 5910 007 2201 | Service tool ZS | 1 | 1 - 15 | |
| 1 | 5910 893 8505 | Spindle ZS | 1 | | |
| 2 | 5910 890 1800 | Screw sleeve | 1 | 1, 6 | |
| 3 | 5910 893 2101 | Drilled plate | 1 | | |
| 4 | 5910 893 2102 | Drilled plate | 1 | | |
| 5 | 5910 890 0550 | Drilled plate | 1 | 6 | |
| 6 | 5910 967 3500 | Instruction label | 1 | | |
| 7 | 5910 893 2420 | Screw sleeve | 1 | | |
| 8 | 5910 893 2421 | Screw sleeve | 1 | | |
| 9 | 9022 313 0740 | Spline screw IS-M4x25 | 3 | | |
| 10 | 9022 341 1190 | Spline screw IS-M5x72 | 4 | | |
| 11 | 9307 021 0120 | Washer 5.3 | 2 | | |
| 12 | 9210 260 0700 | Hexagon nut M5 | 2 | | |
| 13 | 5910 893 1702 | Sleeve | 1 | | |
| 14 | 5910 893 1701 | Sleeve | 1 | | |
| 15 | 5910 893 8700 | Thrust piece | 1 | | |

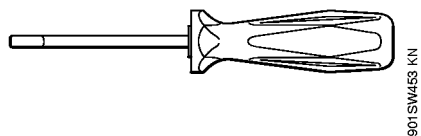
Puller



Puller

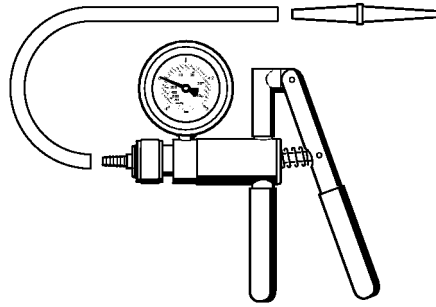
| # | Part Number | Description | Quantity | Contains Item(s) | Remarks |
|---|---------------|-----------------------------|----------|------------------|---------|
| | 5910 890 4400 | Puller | 1 | 1 - 8 | |
| 1 | 9157 691 0980 | Wing screw M5x16 | 2 | | |
| 2 | 9044 319 0980 | Pan head screw M5x16 | 2 | | |
| 3 | 0000 893 3700 | Jaw (profile No. 1 and 2) | 2 | | |
| 4 | 0000 893 3706 | Jaw (profile No. 3.1 and 4) | 2 | | |
| 5 | 0000 893 3711 | Jaw (profile No. 6) | 2 | | |
| 6 | 0000 893 3703 | Jaw (profile No. 7) | 2 | | |
| 7 | 0000 893 3704 | Jaw (profile No. 8) | 2 | | |
| 8 | 0000 893 3707 | Jaw (profile No. 9) | 2 | | |

Punchdown tool



Punchdown tool

| # | Part Number | Description | Quantity | Contains Item(s) | Remarks |
|---|---------------|----------------|----------|------------------|---------|
| | 5910 890 4000 | Punchdown tool | 1 | | |



901SW486 GM

Pump

| # | Part Number | Description | Quantity | Contains Item(s) | Remarks |
|---|---------------|-------------|----------|------------------|---------|
| | 0000 850 1300 | Pump | 1 | | |
| | 0000 855 9201 | Nipple | 1 | | |
| | 0000 855 0100 | Hose | 1 | | |

Stud puller, M8-9.5

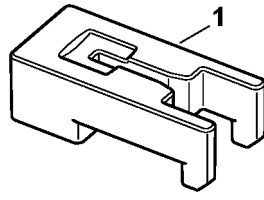


901SW503 GM

Stud puller, M8-9.5

| # | Part Number | Description | Quantity | Contains Item(s) | Remarks |
|---|---------------|--------------------|----------|------------------|---------|
| | 5910 890 3001 | Stud driver M8-9.5 | 1 | | |

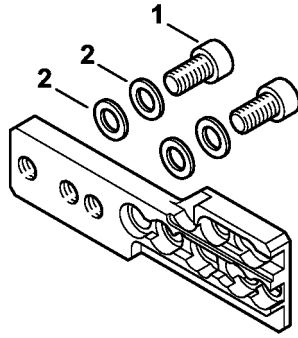
Piston support



5910-GET-0001-A0

Piston support

| # | Part Number | Description | Quantity | Contains Item(s) | Remarks |
|---|---------------|----------------|----------|------------------|---------|
| 1 | 5910 893 5301 | Piston support | 1 | | |

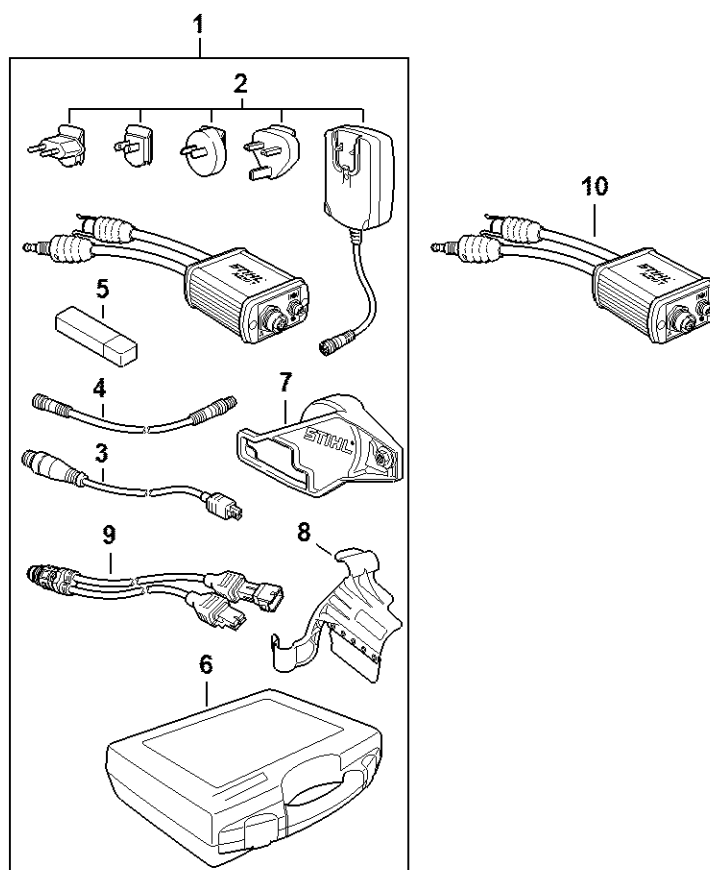


9015W547 SC

Support

| # | Part Number | Description | Quantity | Contains Item(s) | Remarks |
|----------|---------------|--------------------------|----------|------------------|---------|
| | 5910 850 1651 | Support | 1 | 1, 2 | |
| 1 | 9045 319 2390 | Socket head screw M10x25 | 2 | | |
| 2 | 9291 021 3870 | Washer 10.5x20x1.5 | 4 | | |

Diagnostic unit MDG 1

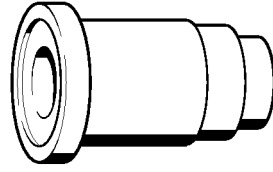


591D-GSW-0010-A4

Diagnostic unit MDG 1

| # | Part Number | Description | Quantity | Contains Item(s) | Remarks |
|---|---------------|--------------------------|----------|------------------|---------|
| 1 | 5910 840 0210 | Diagnostic unit MDG 1 | 1 | 2 - 9 | |
| 2 | 5910 840 1400 | Power supply | 1 | | |
| 3 | 5910 840 0408 | Diagnosis cable M-Tronic | 1 | | |
| 4 | 5910 440 2000 | Connecting cable | 1 | | |
| 5 | 5910 840 1501 | Bluetooth USB stick | 1 | | |
| 6 | 5910 900 4102 | Case | 1 | | |
| 7 | 5910 890 3201 | Cover | 1 | | |
| 8 | 5910 890 3200 | Cover | 1 | | |
| 9 | 5910 840 0405 | Diagnosis cable | 1 | | |

Press sleeve

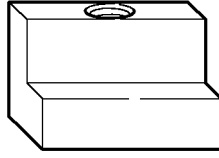


901SW568 KN

Press sleeve

| # | Part Number | Description | Quantity | Contains Item(s) | Remarks |
|---|---------------|--------------|----------|------------------|---------|
| | 1144 893 2400 | Press sleeve | 1 | | |

Thrust piece

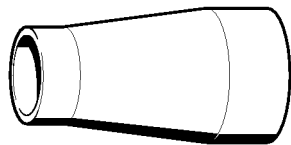


901SW570 KN

Thrust piece

| # | Part Number | Description | Quantity | Contains Item(s) | Remarks |
|---|---------------|--------------|----------|------------------|---------|
| | 5910 893 8700 | Thrust piece | 1 | | |

Installing sleeve

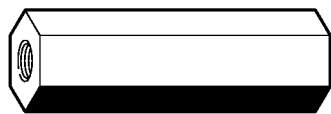


901SW571 KN

Installing sleeve

| # | Part Number | Description | Quantity | Contains Item(s) | Remarks |
|---|---------------|-------------------|----------|------------------|---------|
| | 1144 893 4600 | Installing sleeve | 1 | | |

Screw sleeve

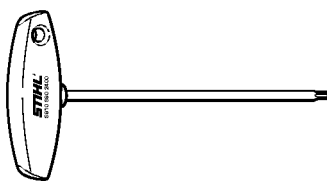


901SW572 KN

Screw sleeve

| # | Part Number | Description | Quantity | Contains Item(s) | Remarks |
|---|---------------|--------------|----------|------------------|---------|
| | 5910 893 2202 | Screw sleeve | 1 | | |

Screwdriver, T27x150

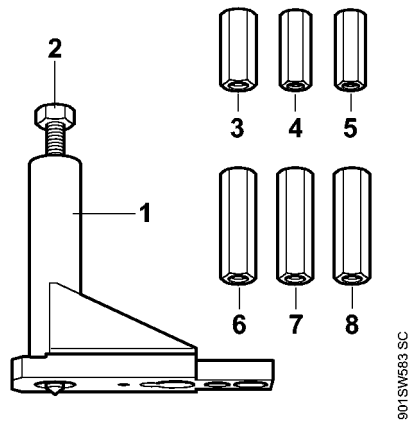


901SW575 KN

Screwdriver, T27x150

| # | Part Number | Description | Quantity | Contains Item(s) | Remarks |
|---|---------------|----------------------|----------|------------------|---------|
| | 5910 890 2400 | Screwdriver, T27x150 | 1 | | |

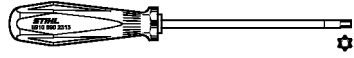
Service tool AS



Service tool AS

| # | Part Number | Description | Quantity | Contains Item(s) | Remarks |
|---|---------------|-----------------|----------|------------------|---------|
| | 5910 007 2222 | Service tool AS | 1 | 1 - 8 | |
| 1 | 5910 890 2222 | Service tool AS | 1 | 2 | |
| 2 | 5910 893 8500 | Spindle AS | 1 | | |
| 3 | 5910 893 2405 | Screw sleeve | 1 | | |
| 4 | 5910 893 2406 | Screw sleeve | 1 | | |
| 5 | 5910 893 2407 | Screw sleeve | 1 | | |
| 6 | 5910 893 2408 | Screw sleeve | 1 | | |
| 7 | 5910 893 2409 | Screw sleeve | 1 | | |
| 8 | 5910 893 2202 | Screw sleeve | 1 | | |

Screwdriver, T10

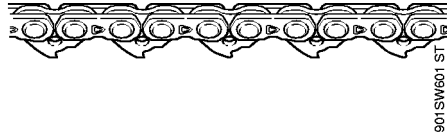


901SW691 SC

Screwdriver, T10

| # | Part Number | Description | Quantity | Contains Item(s) | Remarks |
|---|---------------|------------------|----------|------------------|---------|
| | 5910 890 2313 | Screwdriver, T10 | 1 | | |

Chain without cutters 3/8" 1.3 (45 cm / 18")



Chain without cutters 3/8" 1.3 (45 cm / 18")

| # | Part Number | Description | Quantity | Contains Item(s) | Remarks |
|---|---------------|--|----------|------------------|---------|
| | 3112 000 0066 | Chain without cutters 3/8" 1.3 (45 cm / 18") | 1 | | |

Chain without cutters 3/8" 1.3 (50 cm / 20")

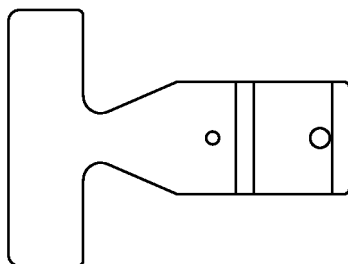


901SW602 ST

Chain without cutters 3/8" 1.3 (50 cm / 20")

| # | Part Number | Description | Quantity | Contains Item(s) | Remarks |
|---|---------------|--|----------|------------------|---------|
| | 3112 000 0072 | Chain without cutters 3/8" 1.3 (50 cm / 20") | 1 | | |

Setting gauge

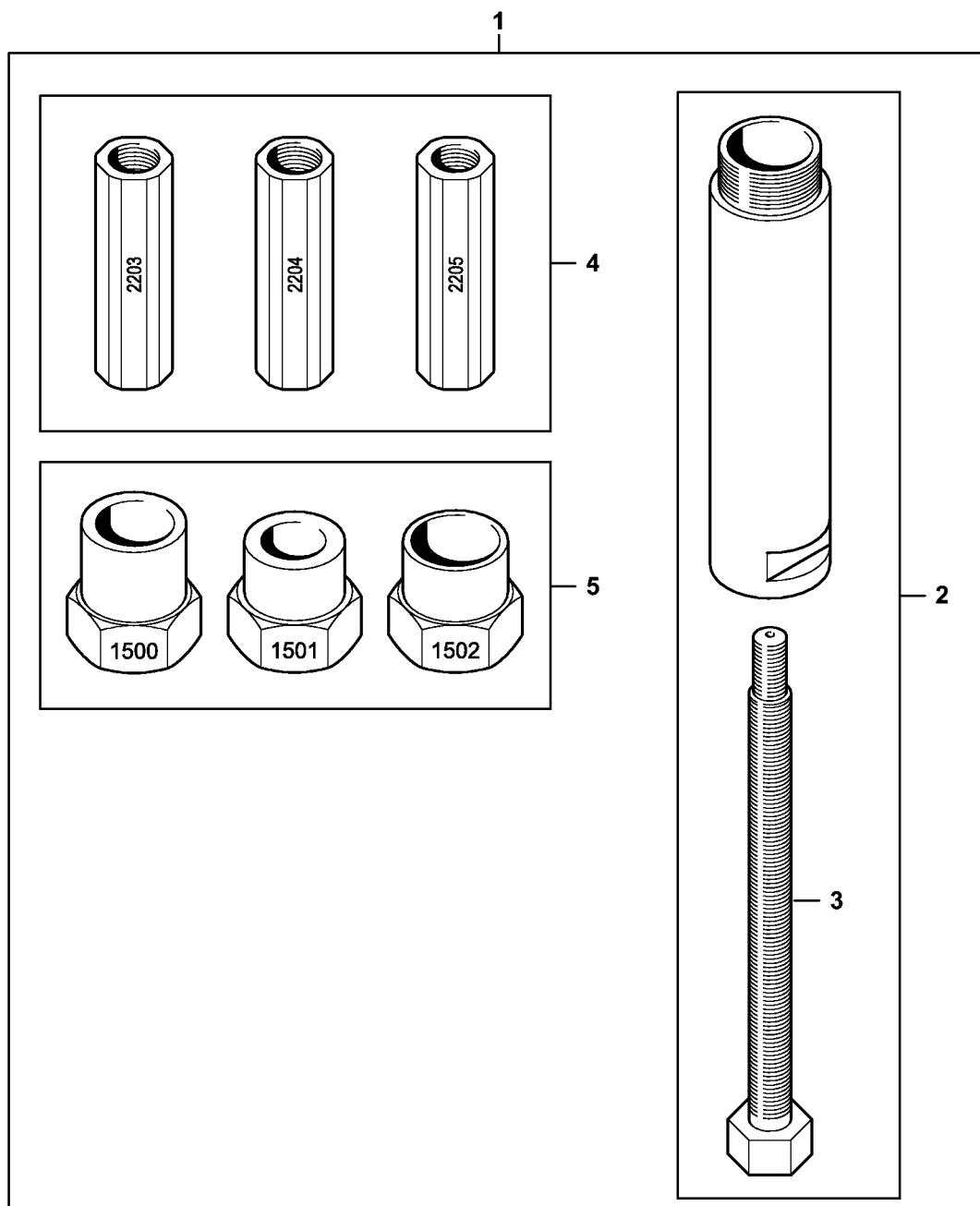


901SW605 SC

Setting gauge

| # | Part Number | Description | Quantity | Contains Item(s) | Remarks |
|---|---------------|---------------|----------|------------------|---------|
| | 0000 890 6401 | Setting gauge | 1 | | |

Installing tool AS

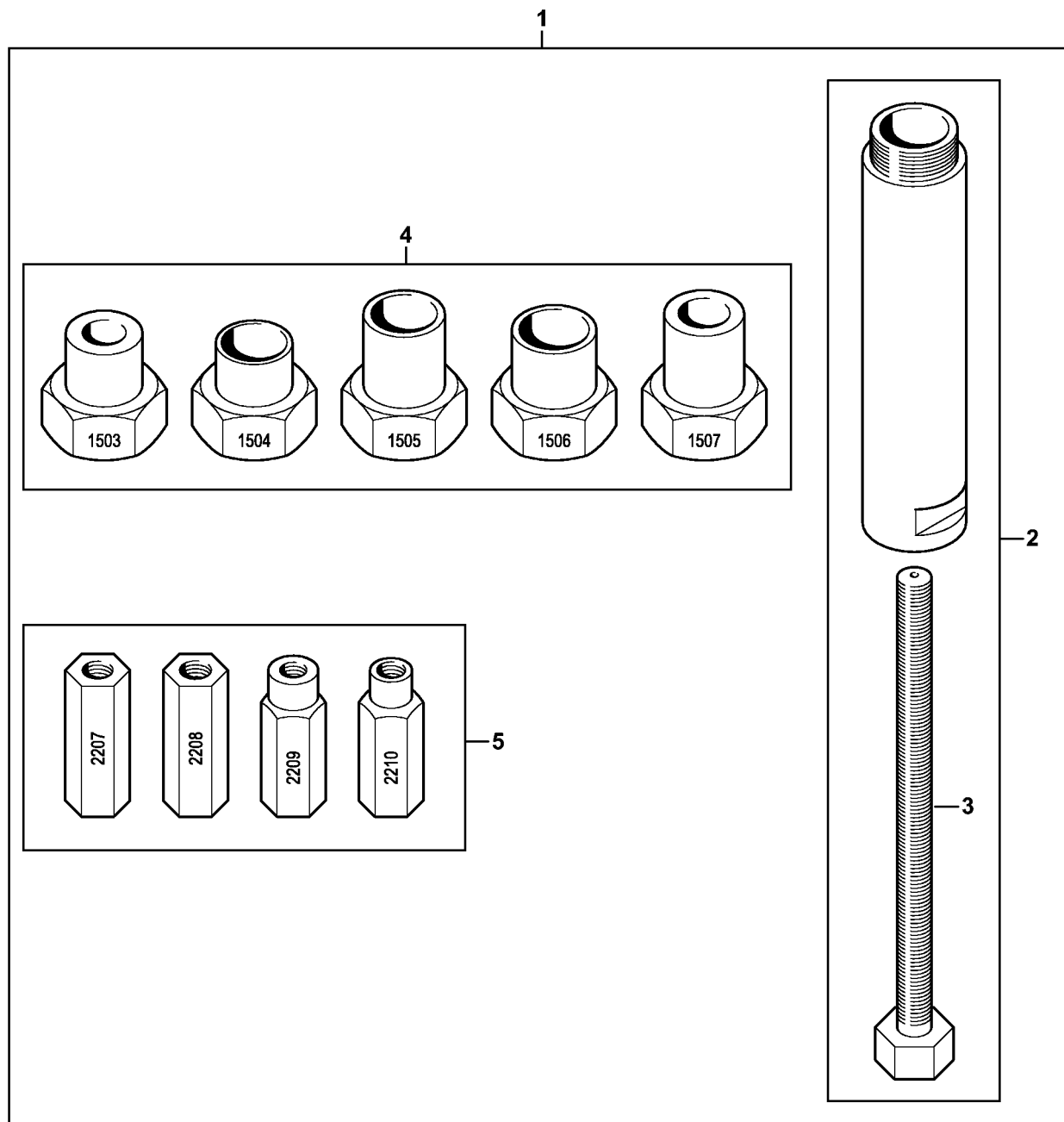


5610-GET-0129-A0

Installing tool AS

| # | Part Number | Description | Quantity | Contains Item(s) | Remarks |
|---|---------------|-------------------------|----------|------------------|---|
| 1 | 5910 850 5220 | Installing tool AS | 1 | 2 - 5 | http://stihl.com/sxyRs8 |
| 2 | 5910 890 8401 | Spindle AS | 1 | 3 | |
| 3 | 5910 893 8503 | Spindle M8x1-LH AS | 1 | | |
| 4 | 5910 007 1009 | Set of screw sleeves AS | 1 | | |
| 5 | 5910 007 1007 | Adapter kit AS | 1 | | |

Installing tool LS



9510-GET-0130-A0

Installing tool LS

| # | Part Number | Description | Quantity | Contains Item(s) | Remarks |
|---|---------------|-------------------------|----------|------------------|---|
| 1 | 5910 850 5221 | Installing tool LS | 1 | 2 - 5 | http://stihl.com/sxyRs8 |
| 2 | 5910 890 8402 | Spindle LS | 1 | 3 | |
| 3 | 5910 893 8504 | Spindle M8x1 LS | 1 | | |
| 4 | 5910 007 1010 | Set of screw sleeves LS | 1 | | |
| 5 | 5910 007 1008 | Adapter kit LS | 1 | | |