

MS 500I

Spare Parts List

01/31/2022

United Kingdom, English

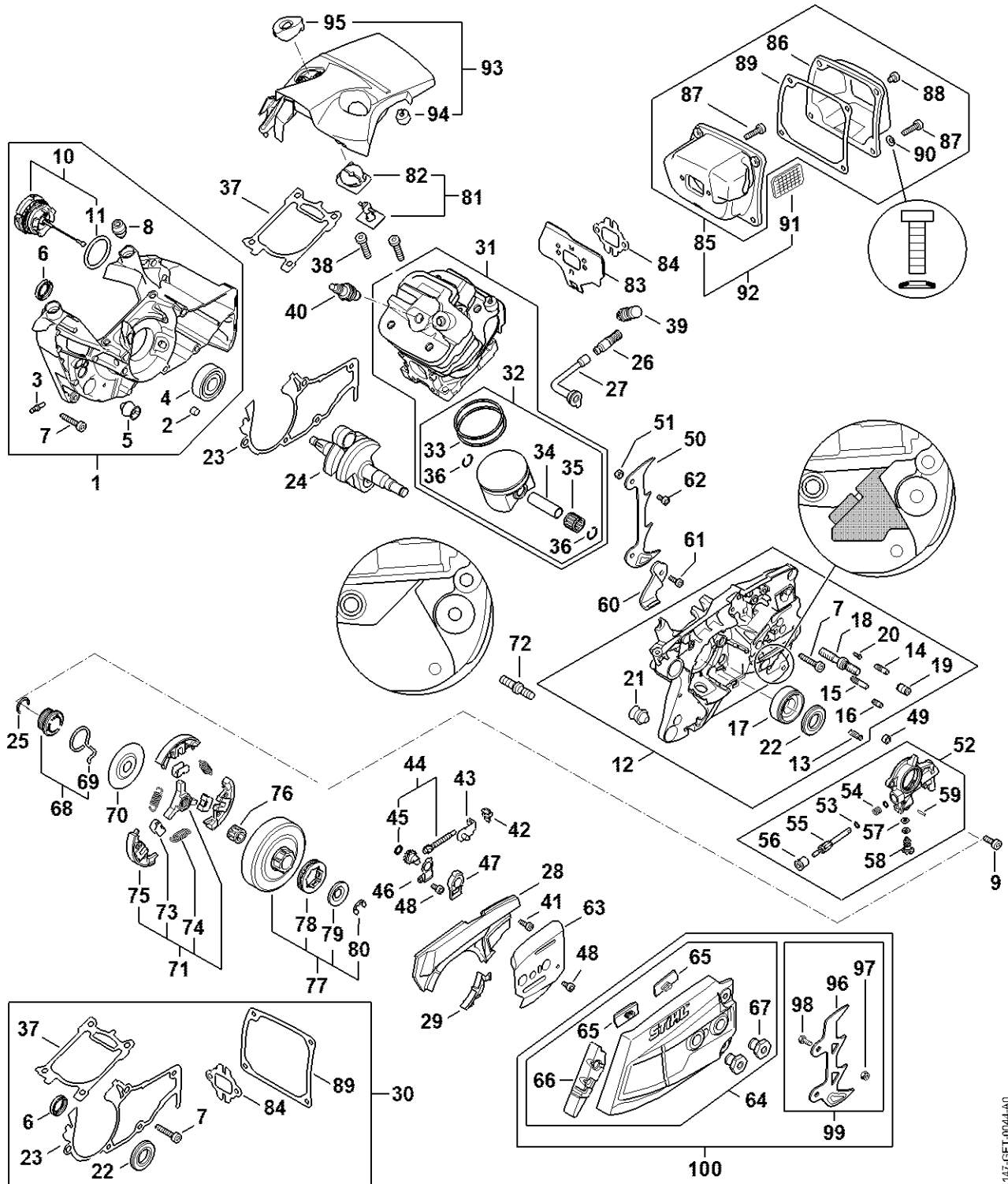
Contents

Engine	3	Jaw (profile No. 6)	65
Ignition system, Fan housing	8	Screwdriver	67
Fuel injection system, Tank housing, Handlebar MS 500i	11	Assembly stand	69
Serial number	15	Puller	71
Smart Connector	17	Installing sleeve	73
Tools	19	Puller	75
Miscellaneous lubricants and greases	21	Press sleeve	77
Cleaning products	23	Punchdown tool	79
Installing tool	25	Locking strip	81
Assembly drift	27	Cover	83
Press sleeve	29	Stud puller, M8-7,5	85
Socket, S19x12.5L	31	Service tool AS	87
Pliers A10	33	Piston support	89
Socket, T20x125	35	Diagnostic unit MDG 1	91
Socket, T27x125	37	Screwdriver, T27x200	93
Assembly tube	39	Service tool AS	95
Press sleeve	41	Screwdriver, T10	97
Assembly hook	43	Screwdriver, T20	99
Stud puller, M8	45	Screwdriver, Q-SW 8x200	101
Socket, 13 mm	47	Screwdriver, Q-4x150	103
Socket, 17 mm	49	Assembly hook	105
Assembly hook	51	Engine analyzer	107
Extension	53	Puller	109
Socket, 13 mm, long reach	55	Clamping strap	111
Installing tool, 12	57	Testing tool kit	113
Torque wrench with optical/acoustic signal	59	Nipple	115
Torque wrench with optical/acoustic signal	61	Hose clip	117
Jaw (profile No. 3.1 and 4)	63	Connector	119
		Flange	121

Contents

Installing tool AS	123
Installing tool LS	125

Engine



1147-GET-0044-A0

Engine

#	Part Number	Description	Quantity	Contains Item(s)	Remarks
1	1147 020 2601	Crankcase, fan side	1	2 - 8, 10, 11	
2	0000 988 8600	Sleeve	4		
3	0000 988 5211	Connector	1		
4	9523 003 4280	Grooved ball bearing 15x37,7x11	1		
5	1141 791 5902	Stop buffer	1		
6	9640 003 1560	Oil seal 15x22x4	1		
7	9022 500 1051	Spline screw IS-M5x27	5		
8	1147 080 1701	Grommet	2		
9	9022 346 0658	Spline screw IS-M4x12	2		
10	0000 350 0533	Filler cap	1	11	
11	9645 948 7734	O-ring 25x3.5	1		
12	1147 020 2905	Crankcase	1	7, 13 - 22	
13	1120 162 5200	Pin	1		
14	1121 162 5200	Pin	1		
15	1121 162 5205	Pin	1		
16	1128 162 5200	Pin	1		
17	9523 003 4282	Grooved ball bearing 15x37,7x13	1		
18	0000 664 2417	Collar screw M8	2		
19	1128 640 9100	Valve	1		
20	0000 974 1200	Notched pin 2.6x8	1		
21	1141 791 5902	Stop buffer	1		
22	9640 003 1604	Oil seal DIN3760-BS15x31,5x4	1		
23	1147 020 9700	Gasket	1	7	
24	1147 030 0405	Crankshaft	1	7	
25	9468 621 1520	Circlip 15x1	1		
26	1117 640 3800	Pickup body	1		
27	1122 647 9400	Hose	1		

Engine

#	Part Number	Description	Quantity	Contains Item(s)	Remarks
28	1147 021 1100	Cover	1		
29	1147 021 1101	Cover	1		
30	1147 007 1600	Set of gaskets	1	6, 7, 22, 23, 37, 84, 89	
31	1147 020 1200	Cylinder with piston Ø 54 mm	1	32 - 36	
32	1147 030 2003	Piston Ø 54 mm	1	33 - 36	
33	1147 034 3001	Piston ring Ø 54x1,2 mm	2		
34	1147 034 1501	Piston pin 12x8x39	1		
35	9512 003 3146	Needle cage 12x16.2x15	1		
36	9463 650 1200	Snap ring 12x1	2		
37	1147 029 2300	Cylinder gasket	1		
38	9022 341 1358	Spline screw IS-M6x28	4		
39	1143 020 9400	Decompression valve	1		
40	0000 400 7011	Spark plug NGK CMR6H	1		
41	9022 313 0660	Spline screw IS-M4x12	2		
42	1125 664 1400	Thrust pad	1		
43	1125 640 1900	Tensioner slide	1		
44	1125 007 1021	Spur gear / chain adjusting screw kit	1	45	
45	9646 945 0490	O-ring 7x1.5	1		
46	1122 664 2200	Cover plate	1		
47	1122 664 4500	Support	1		
48	9022 313 0633	Spline screw IS-M4x8	2		
49	1122 649 5000	Sealing ring B4x2	1		
50	1142 664 0500	Bumper spike	1		
51	9214 320 0700	Lock nut M5	1		
52	1142 640 3200	Oil pump	1	53 - 59	
53	0000 958 0518	Washer	2		

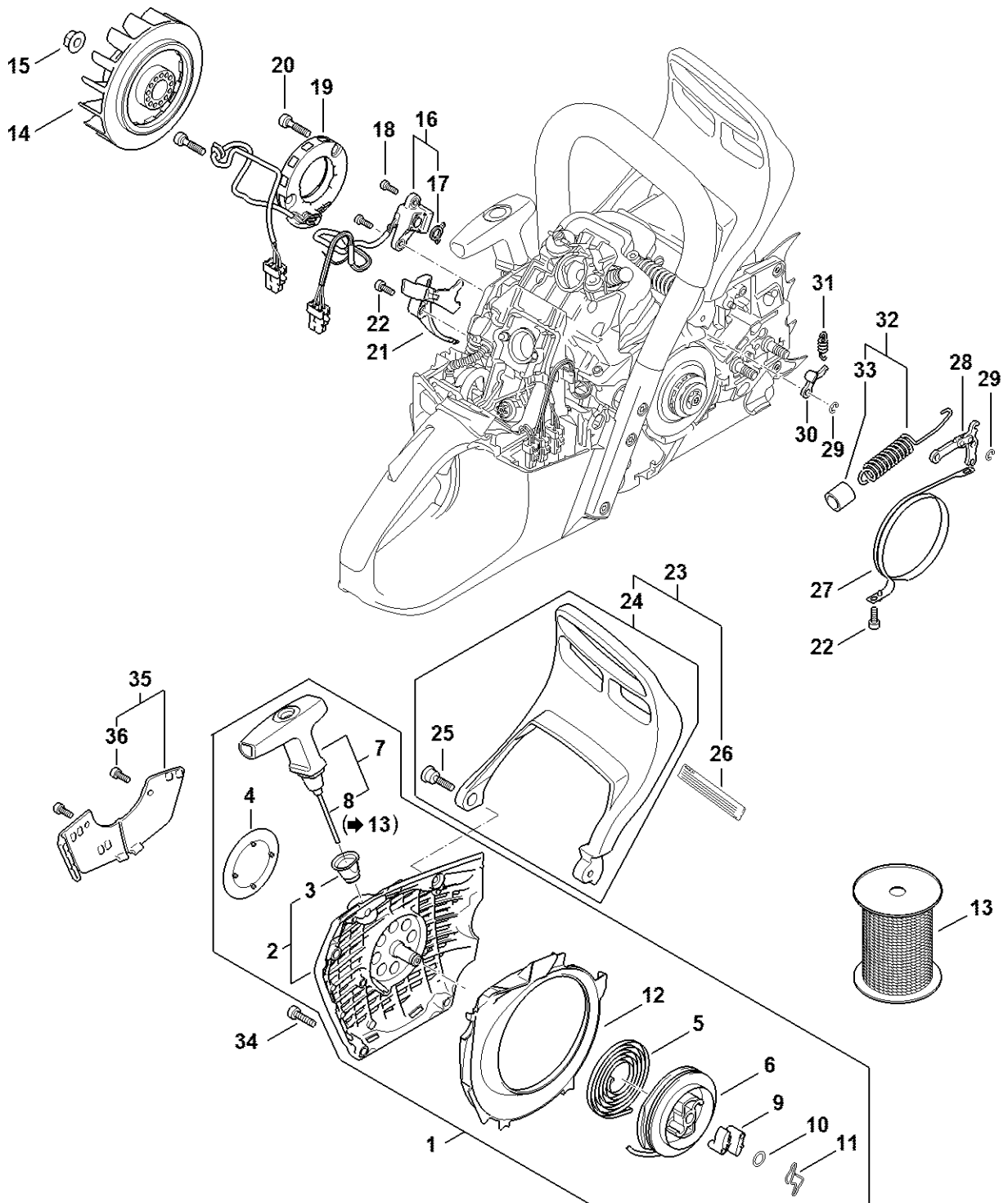
Engine

#	Part Number	Description	Quantity	Contains Item(s)	Remarks
54	0000 997 0615	Compression spring	1		
55	1142 647 0600	Pump piston	1		
56	1125 641 9400	Bearing bushing	1		
57	9646 945 0160	O-ring 4x2	2		
58	1142 647 4800	Control bolt	1		
59	9380 620 1090	Roll pin 2x10	1		
60	1147 656 7700	Chain catcher	1		
61	9022 341 0983	Spline screw IS-M5x16	1		
62	9022 341 0960	Spline screw IS-M5x12	1		
63	1128 664 1000	Inner side plate	1		
64	1142 640 1705	Chain sprocket cover	1	65 - 67	
65	1121 648 6610	Bumper strip	2		
66	1142 656 1502	Guard	1		
67	0000 995 0803	Collar nut M8	2		
68	1147 640 7110	Worm gear	1	69	
69	1128 647 2400	Spring	1		
70	1122 162 1000	Cover washer 52 mm	1		
71	1147 160 2002	Clutch	1	73 - 75	
72	0000 664 2406	Collar screw M8	1		
73	1128 162 3000	Retainer	3		
74	0000 997 5611	Tension spring	3		
75	1147 162 0801	Clutch shoe	3		
76	9512 933 2379	Needle cage 10x16x12	1		
77	1128 007 1017	Rim sprocket kit 3/8" 7T	1	78 - 80	
78	0000 642 1223	Rim sprocket 3/8" 7T	1		
79	0000 958 1032	Washer Ø 27 mm	1		
80	9460 624 0801	E-clip 8x1.3	1		

Engine

#	Part Number	Description	Quantity	Contains Item(s)	Remarks
81	1147 080 1501	Shroud lock	1	82	
82	1147 084 7401	Grommet	1		
83	1147 141 3200	Cooling plate	1		
84	1147 149 0600	Muffler gasket	1		
85	1147 140 0604	Muffler	1	86 - 90	
86	1147 145 0800	Exhaust casing	1		
87	9022 399 1020	Spline screw IS-M5x20	4		
88	9022 341 0911	Spline screw IS-M5x6	2		
89	1147 149 0500	Gasket	1		
90	9331 630 0120	Conical spring washer 5	1		
93	1147 080 1602	Shroud	1	94, 95	
94	1147 084 7100	Cap	1		
95	1147 084 2200	Guard	1		
96	1142 664 0501	Bumper spike	1		
97	9214 320 0700	Lock nut M5	2		
98	9008 345 0960	Hexagon head screw M5x12	2		
99	0000 660 0801	Bumper spike	1	96 - 98	

Ignition system, Fan housing



1147-GET-0043-AD

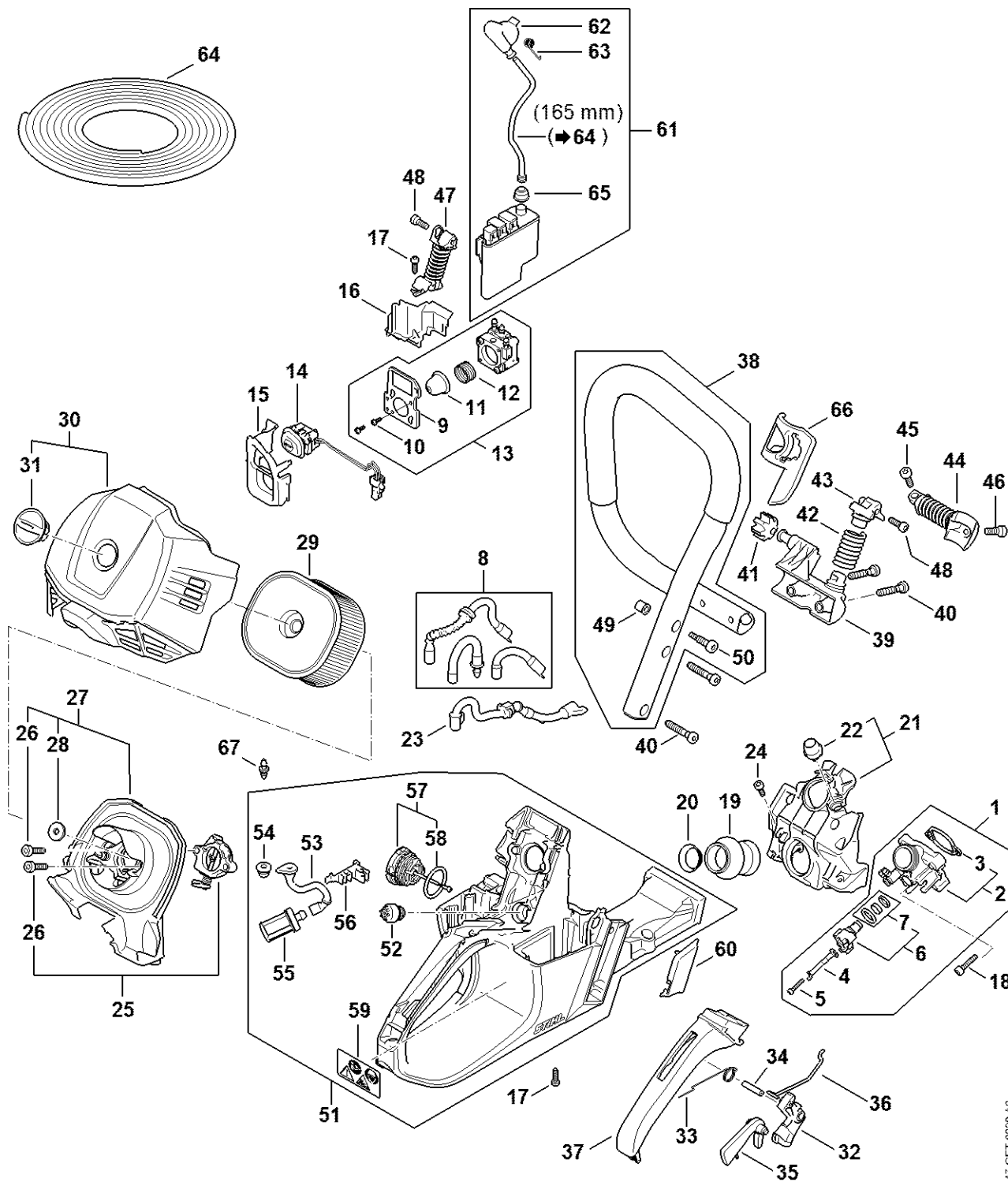
Ignition system, Fan housing

#	Part Number	Description	Quantity	Contains Item(s)	Remarks
1	1147 080 2101	Fan housing with rewind starter	1	2 - 12	
2	1147 080 1800	Fan housing	1	3	
3	1110 084 9102	Bushing	1		
4	1147 967 1500	Model plate MS 500i	1		
5	1135 190 0600	Rewind spring	1		
6	1128 195 0400	Rope rotor	1		
7	1128 190 3400	Starter grip ElastoStart Ø 3,5 mm	1	8	
8	1128 190 2900	Starter rope Ø 3.5 mm	1		
9	1125 195 7200	Pawl	2		
10	0000 958 0923	Washer	1		
11	1128 195 3500	Spring	1		
13	0000 930 2267	Starter rope Ø 3.5 mm / 28 pieces	1		
12	1147 084 7800	Segment	1		
14	1147 400 1201	Flywheel	1		
15	0000 955 0802	Collar nut M8x1	1		
16	1147 400 5801	Sensor	1	17	
17	1147 139 0101	Gasket	1		
18	9022 313 0658	Spline screw IS-M4x12	2		
19	1147 400 4000	Generator	1		
20	1147 404 7800	Screw M5	2		
21	1147 141 6301	Air baffle	1		
22	9022 346 0658	Spline screw IS-M4x12	2		
24	1147 790 9100	Hand guard	1	25	
25	1141 790 6100	Screw assy. M5	1		
27	1147 160 5400	Brake band	1		
28	1121 160 5000	Lever	1		
29	9460 624 0400	E-clip 4	2		

Ignition system, Fan housing

#	Part Number	Description	Quantity	Contains Item(s)	Remarks
30	1121 162 5010	Lever	1		
31	0000 997 0628	Spring	1		
32	1141 160 5502	Tension spring	1	33	
33	1141 162 8000	Hose	1		
34	9022 371 1020	Spline screw IS-M5x20	3		
35	1147 080 7501	Cover plate	1	36	
36	9022 313 0660	Spline screw IS-M4x12	2		

Fuel injection system, Tank housing, Handlebar MS 500i



1147-GET-0029-AD

Fuel injection system, Tank housing, Handlebar MS 500i

#	Part Number	Description	Quantity	Contains Item(s)	Remarks
1	1147 130 0102	Injection module	1	2 - 8	
2	1147 130 4504	Injection housing	1	3, 8	
3	1147 139 0100	Gasket	1		
4	1147 431 7002	Contact plate	1		
5	9074 477 2311	Pan head self-tapping screw IS P3x16	1		
6	0000 130 3307	Injection valve	1	7, 8	
7	1147 007 1001	Sealing ring kit	1		
8	1147 007 2000	Hose kit	1		
9	1147 131 3801	Support	1		
10	1147 132 0100	Screw	2		
11	0000 121 2702	Cap	1		
12	0000 132 0200	Spring	1		
13	1147 130 0302	Injection pump	1	8 - 12	
14	1147 430 0512	Switch	1		
15	1147 432 1700	Cover	1		
16	1147 131 3800	Support	1		
17	9074 477 2995	Pan head self-tapping screw IS-P4x12	2		
18	9022 371 0710	Spline screw IS-M4x20	4		
19	1147 141 2200	Manifold	1		
20	1147 141 1805	Sleeve	1		
21	1147 080 0901	Air guide shroud	1	22	
22	1147 080 1700	Grommet	1		
23	1147 141 8600	Impulse hose	1		
24	9022 313 0660	Spline screw IS-M4x12	1		
25	1147 120 6901	Throttle shutter housing	1	26	
26	9022 500 1020	Screw IS-M5x22	2		
27	1147 140 1202	Air filter base	1	26, 28	

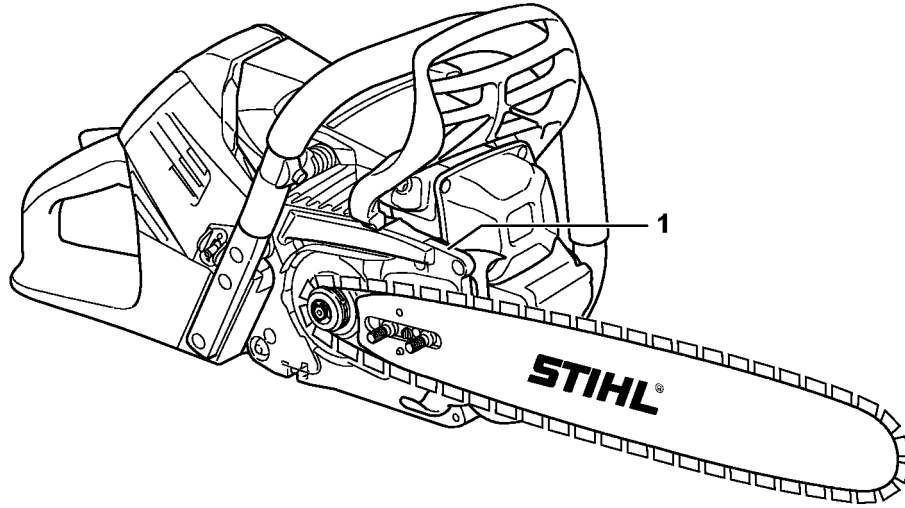
Fuel injection system, Tank housing, Handlebar MS 500i

#	Part Number	Description	Quantity	Contains Item(s)	Remarks
28	1144 129 0900	Gasket	1		
29	1144 140 4402	Air filter HD2	1		
30	1147 140 1000	Filter cover	1	31	
31	1144 141 2300	Twist lock	1		
32	1147 182 1000	Throttle trigger	1		
33	1138 182 4500	Torsion spring	1		
34	9371 470 2630	Cylindrical pin (DIN7)-5m6x22	1		
35	1141 182 0800	Lockout lever	1		
36	1147 182 1500	Throttle rod	1		
37	1147 791 0600	Handle molding	1		
38	1147 790 1700	Handlebar	1		
39	1147 791 1900	Handlebar support	1		
40	9074 478 4675	Pan head self-tapping screw IS-P6x32.5	4		
41	1141 791 2802	Stop buffer	1		
42	1144 791 3102	Spring	1		
43	1147 792 2904	AV mount	1		
44	1147 790 8301	AV spring	1		
45	9022 341 0983	Spline screw IS-M5x16	1		
46	9022 371 1020	Spline screw IS-M5x20	1		
47	1147 790 8300	AV spring	1		
48	9074 477 4130	Pan head self-tapping screw IS-P5x16	1		
49	0000 791 7904	Bushing	1		
50	1141 791 6100	Collar screw	1		
51	1147 350 0801	Tank housing	1	8, 52 - 59	
52	0000 350 5800	Tank vent	1		
53	1139 358 7700	Hose	1		
54	1141 989 0600	Grommet	1		

Fuel injection system, Tank housing, Handlebar MS 500i

#	Part Number	Description	Quantity	Contains Item(s)	Remarks
55	0000 350 3518	Pickup body	1		
56	1147 448 1200	Lead retainer	1		
57	0000 350 0533	Filler cap	1	58	
58	9645 948 7734	O-ring 25x3.5	1		
59	0000 967 7247	Warning pictogram MS	1		
60	1147 435 2700	Cover	1		
61	1147 400 4702	Control unit	1	62 - 65	
62	1147 405 1000	Spark plug boot	1		
63	0000 998 0618	Torsion spring	1		
64	0000 405 0600	Ignition lead 1 m	1		
64	0000 930 2251	Ignition lead 10 m	1		
65	0000 989 1002	Grommet	1		
66	1147 798 3600	Deflector	1		
67	4148 353 2700	Connector	1		

Serial number

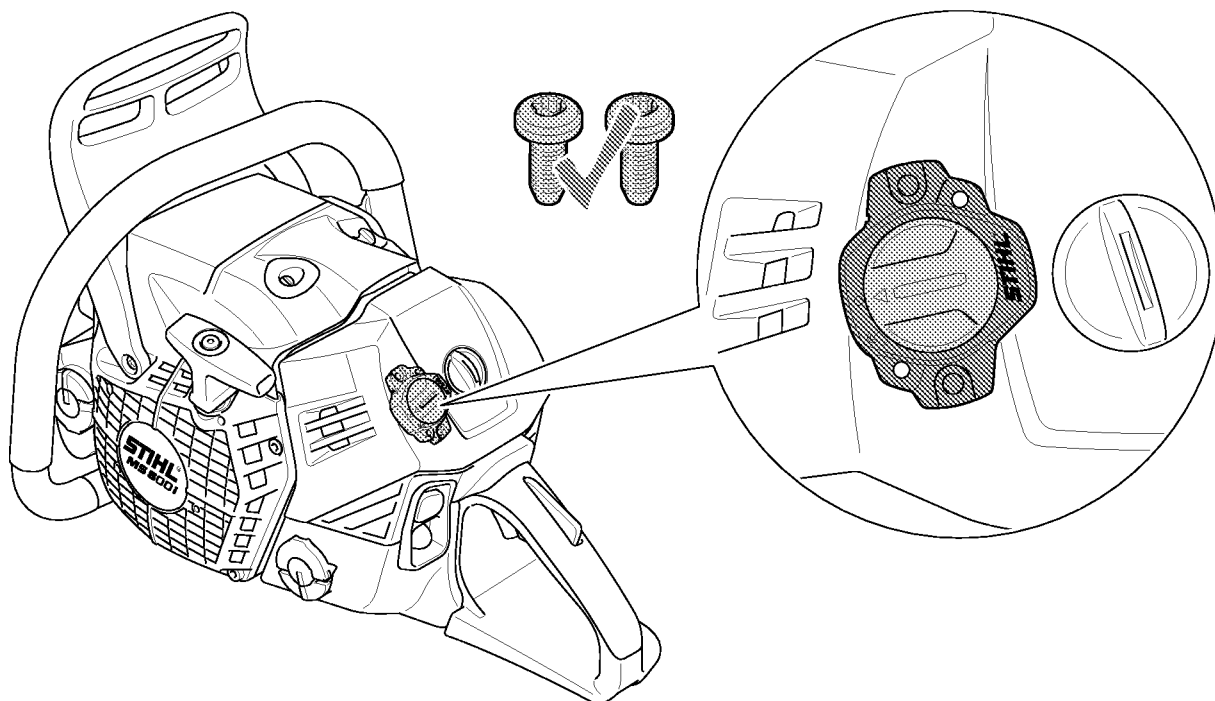


1147-GET-0018-A0

Serial number

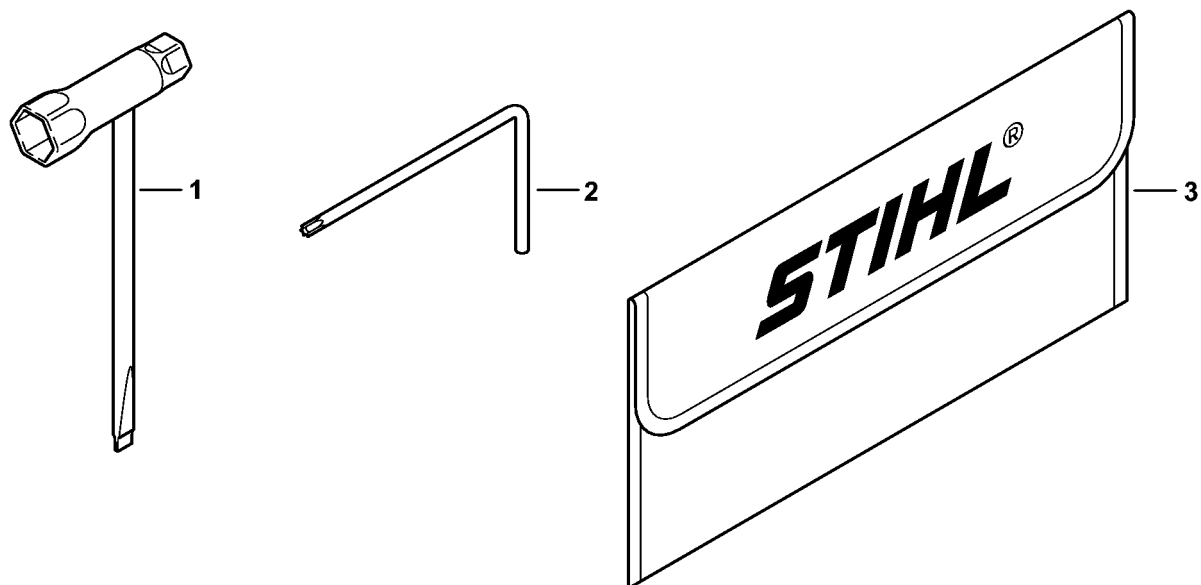
#	Part Number	Description	Quantity	Contains Item(s)	Remarks
1	0000 100 0919	Position of serial number	1		

Smart Connector



Smart Connector

#	Part Number	Description	Quantity	Contains Item(s)	Remarks
	0000 100 1572	Position of Smart Connector	1		

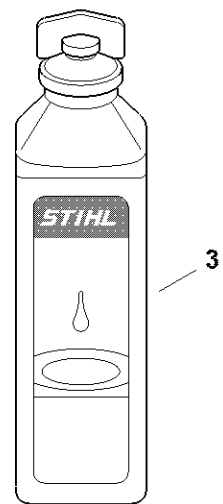
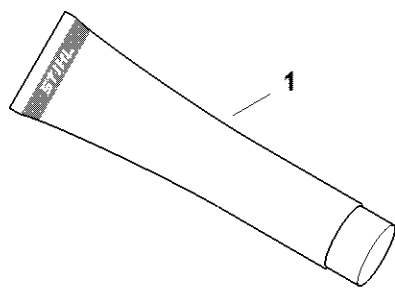


1147-GET-0025-A0

Tools

#	Part Number	Description	Quantity	Contains Item(s)	Remarks
1	1142 890 3401	Combination wrench	1		
2	0812 370 1000	Screwdriver T27x120x70	1		
3	0000 891 0810	Tool roll	1		

Miscellaneous lubricants and greases

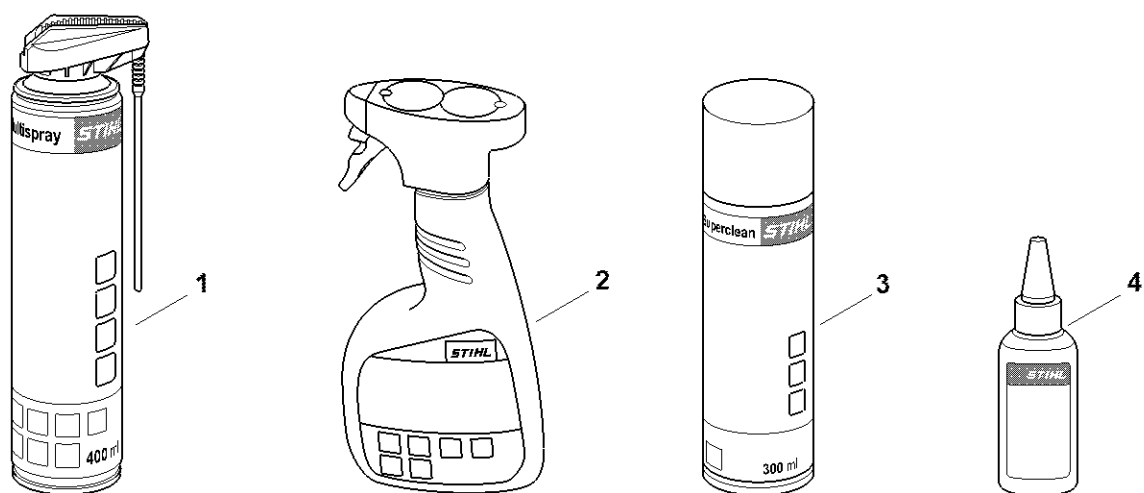


0000-GET-0170-A0

Miscellaneous lubricants and greases

#	Part Number	Description	Quantity	Contains Item(s)	Remarks
1	0781 120 1021	STIHL Multilub 40g tube	1		
1	0781 120 1109	Multipurpose grease 80 g	1		
1	0781 120 1110	Multipurpose grease 225 g	1		
2	0781 957 9000	Press fluid OH 723	1		
3	0781 319 8401	HP 100ml	1		
3	0781 319 8052	HP Super 100ml	1		
3	0781 319 8060	HP Ultra 100ml	1		

Cleaning products

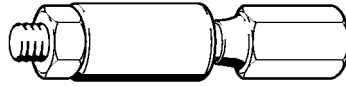


0000-GET-0171-A0

Cleaning products

#	Part Number	Description	Quantity	Contains Item(s)	Remarks
1	0730 411 7002	Multispray 50 ml	1		
1	0730 411 7000	Multispray	1		
2	0000 881 9400	Special cleaner	1		
2	0000 881 9409	Special cleaner 5 l	1		
3	0782 420 1001	Resin solvent 50 ml	1		
3	0782 420 1002	Resin solvent 300 ml	1		
4	0782 516 8500	Multioil Bio 50 ml	1		

Installing tool

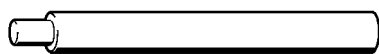


901SW009 GM

Installing tool

#	Part Number	Description	Quantity	Contains Item(s)	Remarks
	0000 890 2201	Installing tool	1		
	9210 319 0900	Hexagon nut M6	1		

Assembly drift

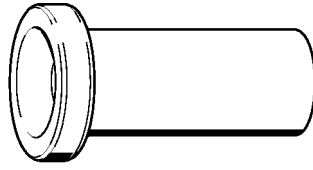


901SW023 GM

Assembly drift

#	Part Number	Description	Quantity	Contains Item(s)	Remarks
	1108 893 4700	Assembly drift	1		

Press sleeve

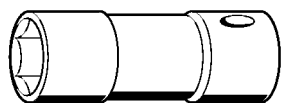


901SW044 GM

Press sleeve

#	Part Number	Description	Quantity	Contains Item(s)	Remarks
	1113 893 4600	Press sleeve	1		

Socket, S19x12.5L

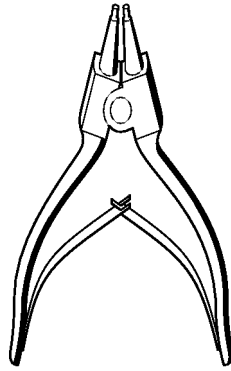


901SW073 GM

Socket, S19x12.5L

#	Part Number	Description	Quantity	Contains Item(s)	Remarks
	5910 893 5613	Socket, S19x12.5L	1		

Pliers A10

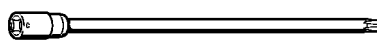


901 SW085 GM

Pliers A10

#	Part Number	Description	Quantity	Contains Item(s)	Remarks
	0811 611 8200	Pliers A10	1		

Socket, T20x125

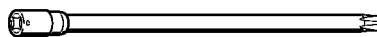


901SW090 GM

Socket, T20x125

#	Part Number	Description	Quantity	Contains Item(s)	Remarks
	0812 542 2041	Driver bit, 1/4" square drive, T20x125	1		

Socket, T27x125



901SW091 GM

Socket, T27x125

#	Part Number	Description	Quantity	Contains Item(s)	Remarks
	0812 542 2104	Driver bit, 1/4" square drive, T27x125	1		

Assembly tube

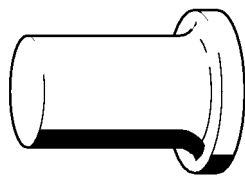


901SW112 GM

Assembly tube

#	Part Number	Description	Quantity	Contains Item(s)	Remarks
	1117 890 0900	Assembly tube	1		

Press sleeve

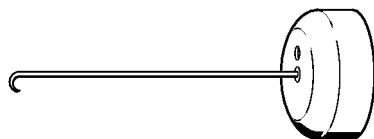


901SW166 GM

Press sleeve

#	Part Number	Description	Quantity	Contains Item(s)	Remarks
	4119 893 2400	Press sleeve	1		

Assembly hook

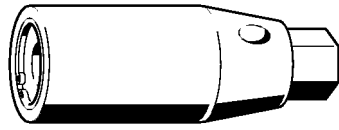


901SW205 GM

Assembly hook

#	Part Number	Description	Quantity	Contains Item(s)	Remarks
	5910 890 2800	Assembly hook	1		

Stud puller, M8

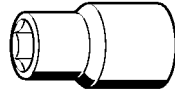


901SW209 GM

Stud puller, M8

#	Part Number	Description	Quantity	Contains Item(s)	Remarks
	5910 893 0501	Stud puller, M8	1		

Socket, 13 mm



901SW217 GM

Socket, 13 mm

#	Part Number	Description	Quantity	Contains Item(s)	Remarks
	5910 893 5608	Socket, 13 mm	1		

Socket, 17 mm

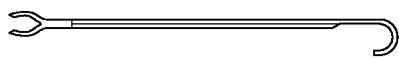


901SW218 GM

Socket, 17 mm

#	Part Number	Description	Quantity	Contains Item(s)	Remarks
	5910 893 5610	Socket, 17 mm	1		

Assembly hook

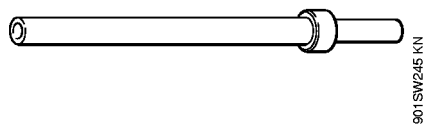


901SW221 GM

Assembly hook

#	Part Number	Description	Quantity	Contains Item(s)	Remarks
	5910 893 8800	Assembly hook	1		

Extension

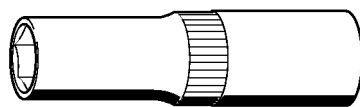


901SW245 KN

Extension

#	Part Number	Description	Quantity	Contains Item(s)	Remarks
	4180 893 4400	Extension	1		

Socket, 13 mm, long reach

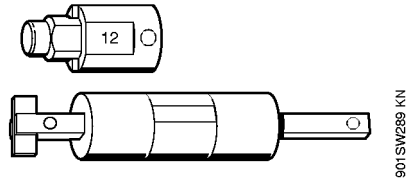


901SW265 KN

Socket, 13 mm, long reach

#	Part Number	Description	Quantity	Contains Item(s)	Remarks
	5910 893 2804	Socket, 13 mm, long reach	1		

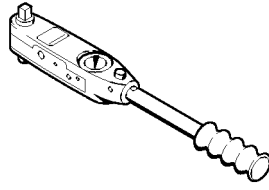
Installing tool, 12



Installing tool, 12

#	Part Number	Description	Quantity	Contains Item(s)	Remarks
	5910 890 2212	Installing tool, 12	1		
	5910 893 1706	Sleeve	1		

Torque wrench with optical/acoustic signal

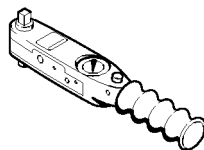


901SW290 KN

Torque wrench with optical/acoustic signal

#	Part Number	Description	Quantity	Contains Item(s)	Remarks
	5910 890 0312	Torque wrench with optical/acoustic signal	1		

Torque wrench with optical/acoustic signal

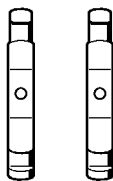


901SW292 KN

Torque wrench with optical/acoustic signal

#	Part Number	Description	Quantity	Contains Item(s)	Remarks
	5910 890 0302	Torque wrench with optical/acoustic signal	1		

Jaw (profile No. 3.1 and 4)

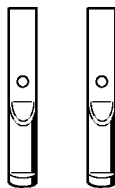


901 SW932 GIM

Jaw (profile No. 3.1 and 4)

#	Part Number	Description	Quantity	Contains Item(s)	Remarks
	0000 893 3706	Jaw (profile No. 3.1 and 4)	1		

Jaw (profile No. 6)

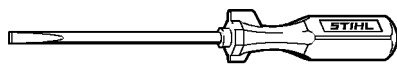


901 SW933 CIM

Jaw (profile No. 6)

#	Part Number	Description	Quantity	Contains Item(s)	Remarks
	0000 893 3711	Jaw (profile No. 6)	1		

Screwdriver

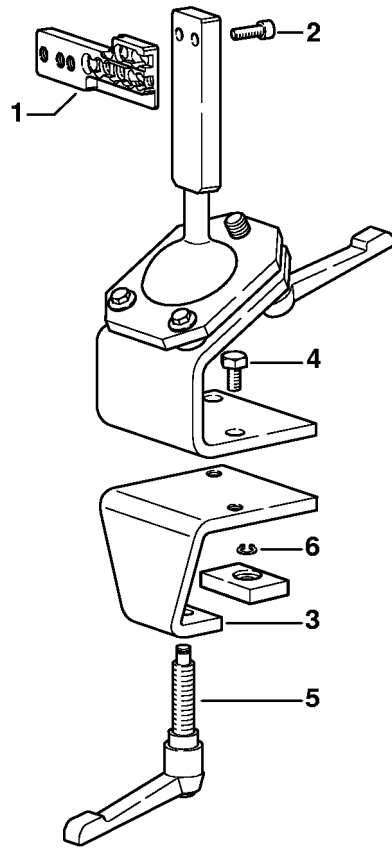


901 SW/558 CM

Screwdriver

#	Part Number	Description	Quantity	Contains Item(s)	Remarks
	0000 890 2300	Screwdriver	1		

Assembly stand

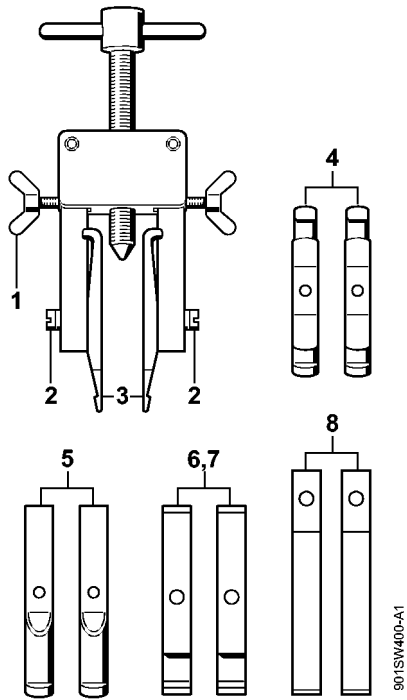


9015W363 SC

Assembly stand

#	Part Number	Description	Quantity	Contains Item(s)	Remarks
	5910 890 3101	Assembly stand	1	1 - 6	
1	5910 850 1651	Support	1		
2	9045 319 2390	Socket head screw M10x25	2		
3	5910 850 2100	Clamping plate	1	4 - 6	
4	9008 319 2930	Hexagon head screw M12x20	2		
5	5910 890 1901	Clamp lever	1		
6	9455 621 0850	Circlip 10x1	1		

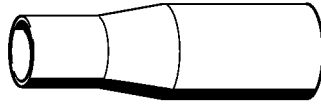
Puller



Puller

#	Part Number	Description	Quantity	Contains Item(s)	Remarks
	5910 890 4400	Puller	1	1 - 8	
1	9157 691 0980	Wing screw M5x16	2		
2	9044 319 0980	Pan head screw M5x16	2		
3	0000 893 3700	Jaw (profile No. 1 and 2)	2		
4	0000 893 3706	Jaw (profile No. 3.1 and 4)	2		
5	0000 893 3711	Jaw (profile No. 6)	2		
6	0000 893 3703	Jaw (profile No. 7)	2		
7	0000 893 3704	Jaw (profile No. 8)	2		
8	0000 893 3707	Jaw (profile No. 9)	2		

Installing sleeve

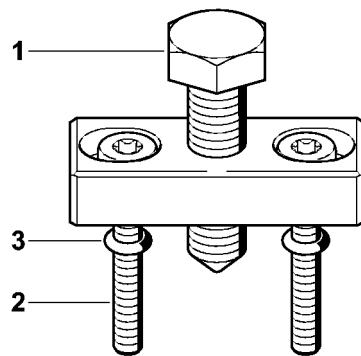


901SW431 KN

Installing sleeve

#	Part Number	Description	Quantity	Contains Item(s)	Remarks
	1141 893 4600	Installing sleeve	1		

Puller



901 SW448 GM

Puller

#	Part Number	Description	Quantity	Contains Item(s)	Remarks
	5910 890 4504	Puller	1		
1	0000 951 0900	Hexagon head screw	1		
2	9022 341 1080	Spline screw IS-M5x35	2		
3	9646 945 0160	O-ring 4x2	2		

Press sleeve

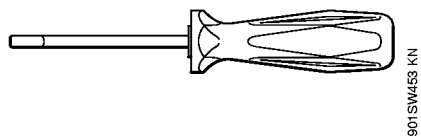


901SW452 KN

Press sleeve

#	Part Number	Description	Quantity	Contains Item(s)	Remarks
	1143 893 2400	Press sleeve	1		

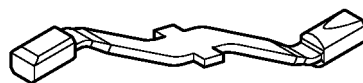
Punchdown tool



Punchdown tool

#	Part Number	Description	Quantity	Contains Item(s)	Remarks
	5910 890 4000	Punchdown tool	1		

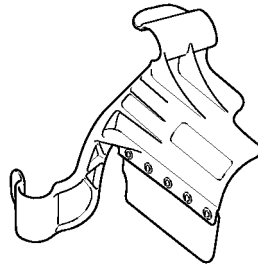
Locking strip



901SW474 SC

Locking strip

#	Part Number	Description	Quantity	Contains Item(s)	Remarks
	0000 893 5904	Locking strip	1		

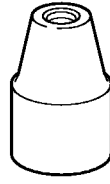


901SW484 GM

Cover

#	Part Number	Description	Quantity	Contains Item(s)	Remarks
	5910 890 3200	Cover	1		

Stud puller, M8-7,5

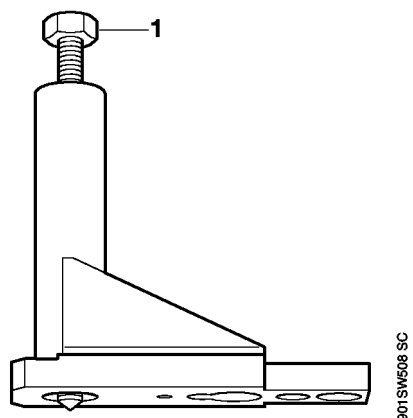


901SW502 GM

Stud puller, M8-7,5

#	Part Number	Description	Quantity	Contains Item(s)	Remarks
	5910 890 3000	Stud driver M8-7.5	1		

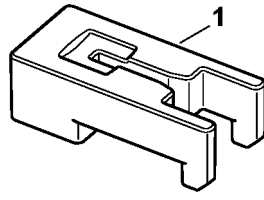
Service tool AS



Service tool AS

#	Part Number	Description	Quantity	Contains Item(s)	Remarks
	5910 890 2222	Service tool AS	1	1	
1	5910 893 8500	Spindle AS	1		

Piston support

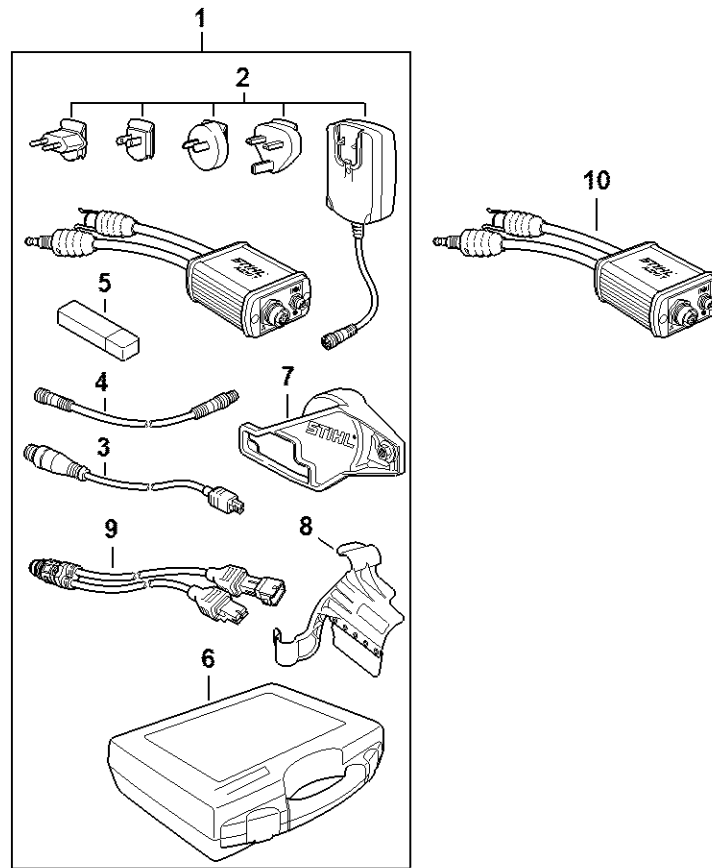


5910-GET-0001-A0

Piston support

#	Part Number	Description	Quantity	Contains Item(s)	Remarks
1	5910 893 5301	Piston support	1		

Diagnostic unit MDG 1

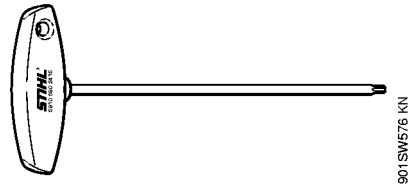


591D-GSW-0010-A4

Diagnostic unit MDG 1

#	Part Number	Description	Quantity	Contains Item(s)	Remarks
1	5910 840 0210	Diagnostic unit MDG 1	1	2 - 9	
2	5910 840 1400	Power supply	1		
3	5910 840 0408	Diagnosis cable M-Tronic	1		
4	5910 440 2000	Connecting cable	1		
5	5910 840 1501	Bluetooth USB stick	1		
6	5910 900 4102	Case	1		
7	5910 890 3201	Cover	1		
8	5910 890 3200	Cover	1		
9	5910 840 0405	Diagnosis cable	1		

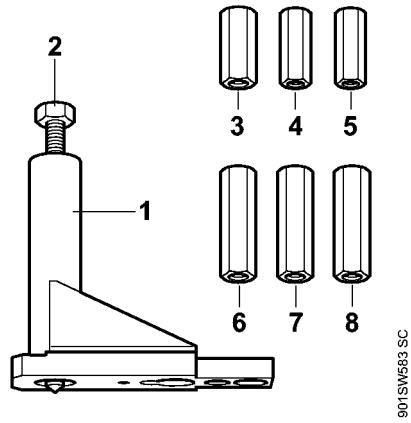
Screwdriver, T27x200



Screwdriver, T27x200

#	Part Number	Description	Quantity	Contains Item(s)	Remarks
	5910 890 2415	Screwdriver, T27x200	1		

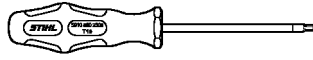
Service tool AS



Service tool AS

#	Part Number	Description	Quantity	Contains Item(s)	Remarks
	5910 007 2222	Service tool AS	1	1 - 8	
1	5910 890 2222	Service tool AS	1	2	
2	5910 893 8500	Spindle AS	1		
3	5910 893 2405	Screw sleeve	1		
4	5910 893 2406	Screw sleeve	1		
5	5910 893 2407	Screw sleeve	1		
6	5910 893 2408	Screw sleeve	1		
7	5910 893 2409	Screw sleeve	1		
8	5910 893 2202	Screw sleeve	1		

Screwdriver, T10

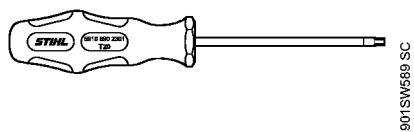


901SW687 SC

Screwdriver, T10

#	Part Number	Description	Quantity	Contains Item(s)	Remarks
	5910 890 2308	Screwdriver, T10	1		

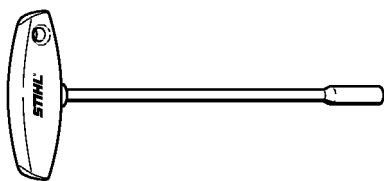
Screwdriver, T20



Screwdriver, T20

#	Part Number	Description	Quantity	Contains Item(s)	Remarks
	5910 890 2301	Screwdriver, T20	1		

Screwdriver, Q-SW 8x200



901SW692 SC

Screwdriver, Q-SW 8x200

#	Part Number	Description	Quantity	Contains Item(s)	Remarks
	5910 890 2420	Screwdriver, Q-SW 8x200	1		

Screwdriver, Q-4x150

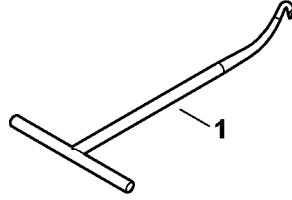


901SW693 SC

Screwdriver, Q-4x150

#	Part Number	Description	Quantity	Contains Item(s)	Remarks
	5910 890 2405	Screwdriver, Q-4x150	1		

Assembly hook

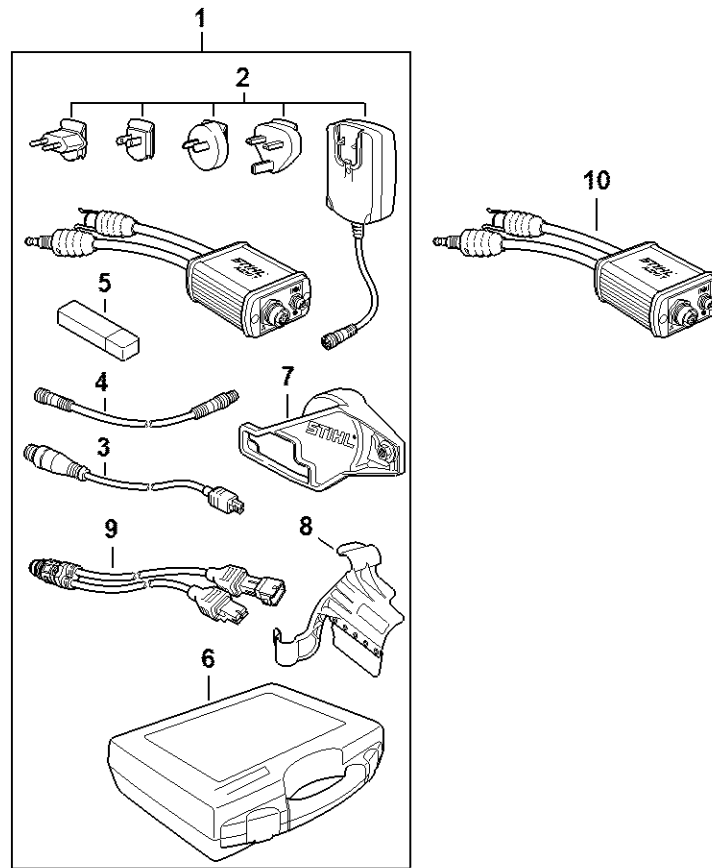


5910-GET-0002-A0

Assembly hook

#	Part Number	Description	Quantity	Contains Item(s)	Remarks
1	0000 890 2800	Installation hook	1		

Engine analyzer

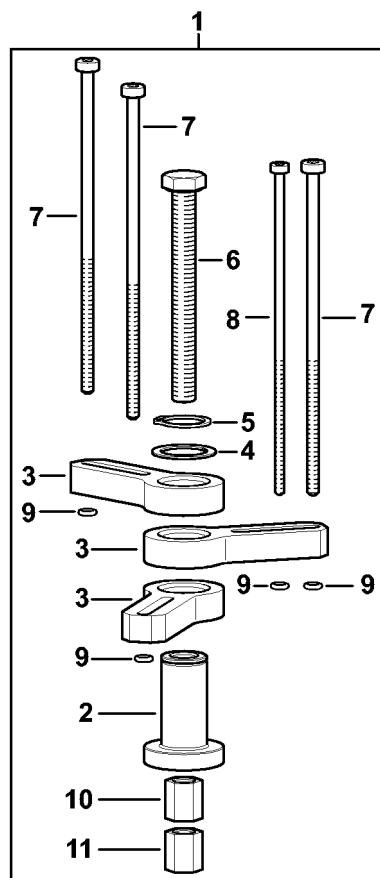


591D-GSW-0010-A4

Engine analyzer

#	Part Number	Description	Quantity	Contains Item(s)	Remarks
1	5910 840 0210	Diagnostic unit MDG 1	1	2 - 9	
2	5910 840 1400	Power supply	1		
3	5910 840 0408	Diagnosis cable M-Tronic	1		
4	5910 440 2000	Connecting cable	1		
5	5910 840 1501	Bluetooth USB stick	1		
6	5910 900 4102	Case	1		
7	5910 890 3201	Cover	1		
8	5910 890 3200	Cover	1		
9	5910 840 0405	Diagnosis cable	1		
10	5910 840 0251	Diagnostic unit MDG1 - R	1		used and refurbished

Puller

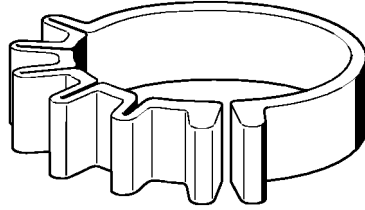


5910-GET-009-A1

Puller

#	Part Number	Description	Quantity	Contains Item(s)	Remarks
1	5910 890 4505	Puller	1	2 - 11	
2	5910 893 1712	Sleeve	1		
3	5910 895 0700	Extension arm	3		
4	0000 958 0206	Washer	1		
5	9455 621 2150	Circlip 20x1.2	1		
6	9010 346 2545	Hexagon head screw DIN933-M10x1x95-10.9	1		
7	9022 346 1200	Spline screw IS-M5x145x60-10.9	3		
8	9022 346 0852	Spline screw IS-M4x145x60-10.9	1		
9	9646 945 0160	O-ring 4x2	4		
10	5910 895 0900	Guide piece D8	1		
11	5910 895 0901	Guide piece D10	1		

Clamping strap

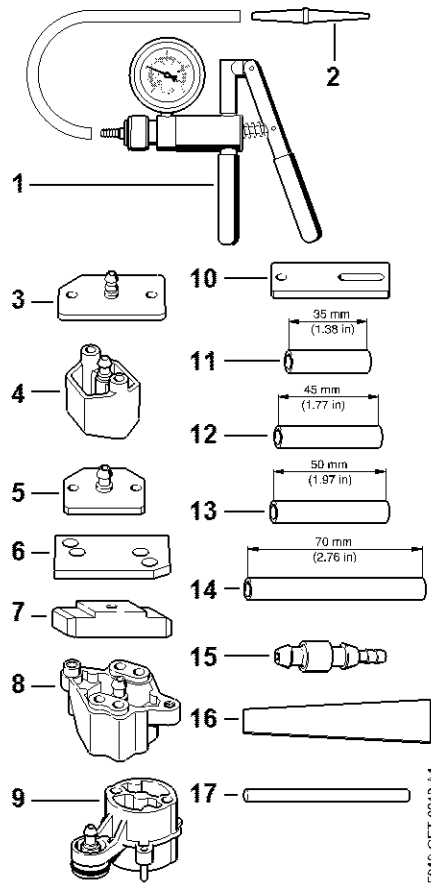


901SW011 GM

Clamping strap

#	Part Number	Description	Quantity	Contains Item(s)	Remarks
	0000 893 2600	Clamping strap	1		

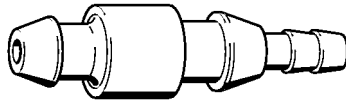
Testing tool kit



Testing tool kit

#	Part Number	Description	Quantity	Contains Item(s)	Remarks
	0000 890 1701	Testing tool kit	1	1 - 17	
1	0000 850 1300	Pump	1	2	
2	0000 855 9201	Nipple	1		
3	1106 850 4201	Flange	1		
4	1118 850 4200	Flange	1		
5	1119 850 4201	Test flange	1		
6	1123 855 4200	Flange	1		
7	1124 850 4205	Flange	1		
8	5910 850 4207	Flange	1		
9	4224 890 1200	Flange	1		
10	5910 855 4206	Flange	1		
11	5910 893 1702	Sleeve	2		
12	1123 851 8300	Sleeve	2		
13	1124 893 7100	Sleeve	2		
14	1127 851 8300	Sleeve	2		
15	0000 855 9200	Nipple	1		
16	0000 855 8106	Sealing plate	1		
17	1110 141 8600	Hose 135 mm / 5 5/16"	1		

Nipple

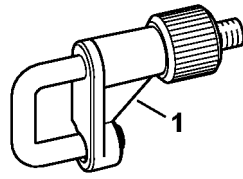


901SW008 GM

Nipple

#	Part Number	Description	Quantity	Contains Item(s)	Remarks
	0000 855 9200	Nipple	1		

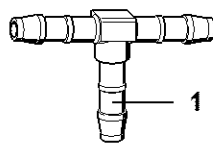
Hose clip



5910-GSN-0009-A0

Hose clip

#	Part Number	Description	Quantity	Contains Item(s)	Remarks
1	5910 988 9100	Hose clip	1		

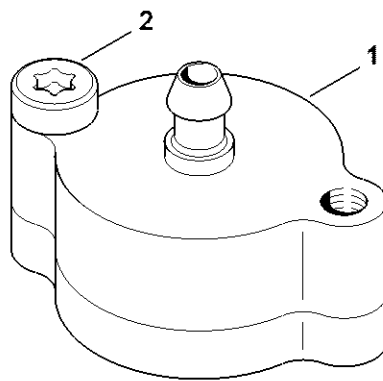


5910-GET-0126-A0

Connector

#	Part Number	Description	Quantity	Contains Item(s)	Remarks
1	5910 895 0200	Connector	1		

Flange

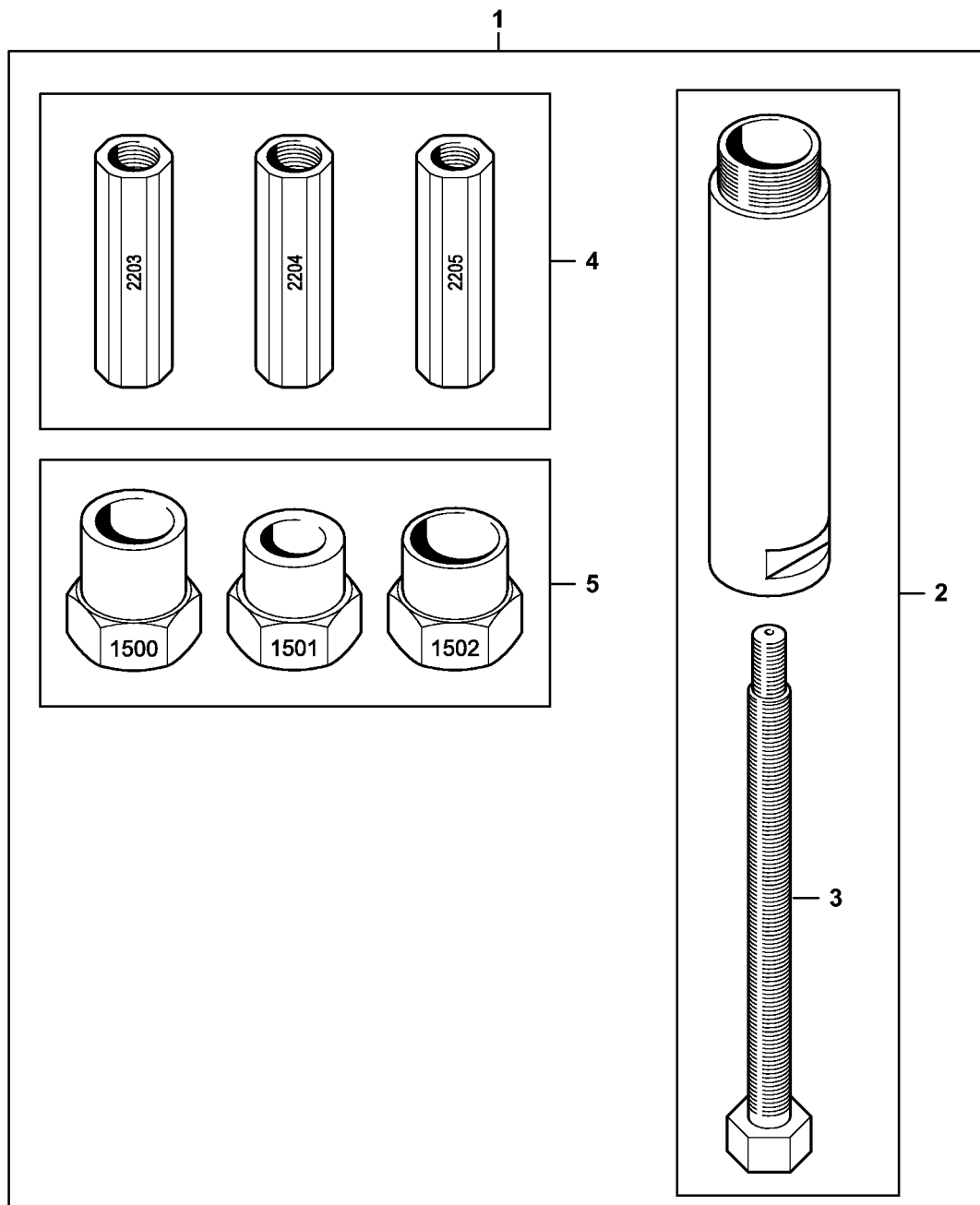


5910-GET-0127-A0

Flange

#	Part Number	Description	Quantity	Contains Item(s)	Remarks
1	5910 850 4204	Flange	1	2	
2	9022 371 1020	Spline screw IS-M5x20	1		

Installing tool AS

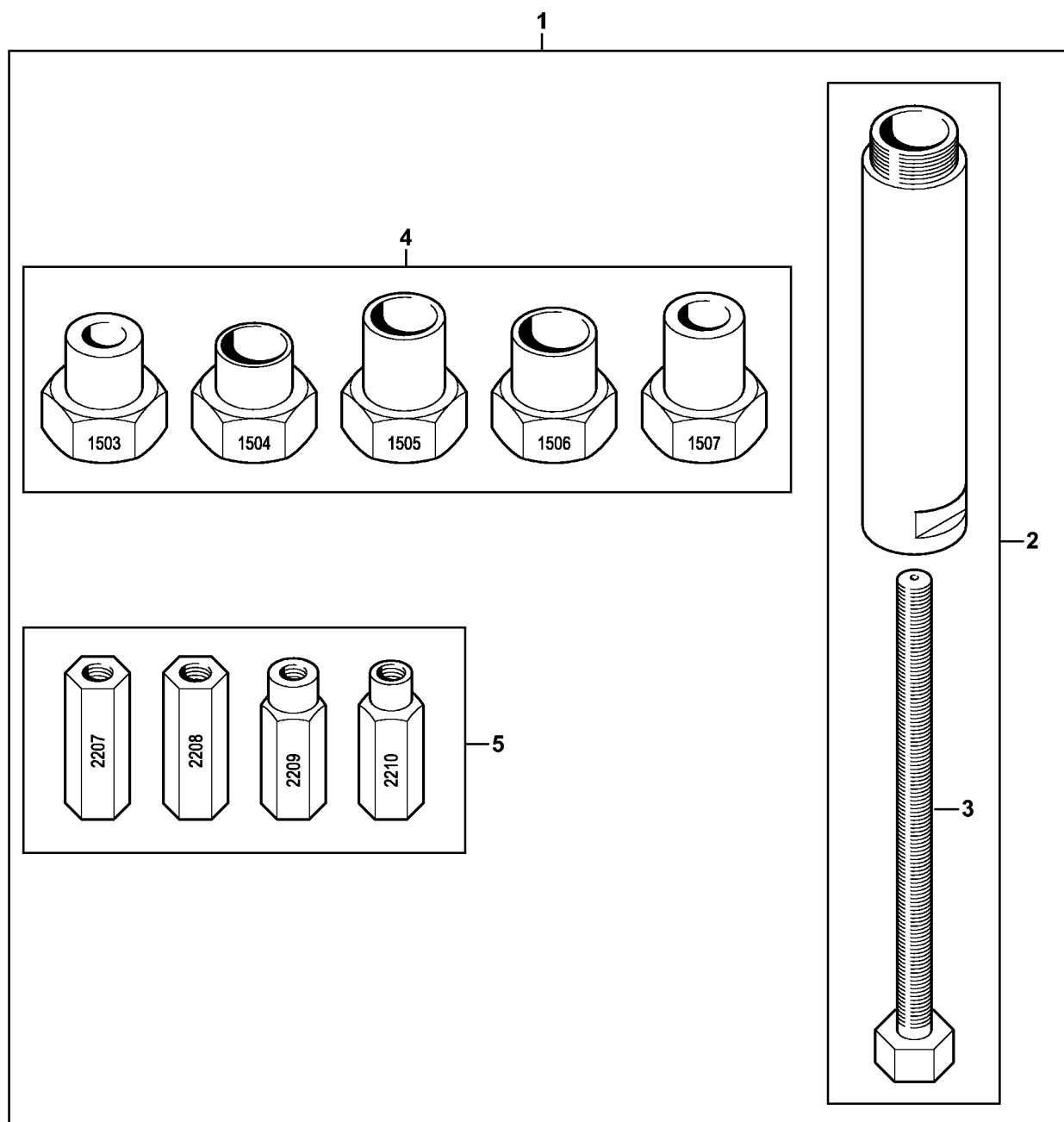


9510-GET-0129-A0

Installing tool AS

#	Part Number	Description	Quantity	Contains Item(s)	Remarks
1	5910 850 5220	Installing tool AS	1	2 - 5	http://stihl.com/sxyRs8
2	5910 890 8401	Spindle AS	1	3	
3	5910 893 8503	Spindle M8x1-LH AS	1		
4	5910 007 1009	Set of screw sleeves AS	1		
5	5910 007 1007	Adapter kit AS	1		

Installing tool LS



9510-GET-0130-A0

Installing tool LS

#	Part Number	Description	Quantity	Contains Item(s)	Remarks
1	5910 850 5221	Installing tool LS	1	2 - 5	http://stihl.com/sxyRs8
2	5910 890 8402	Spindle LS	1	3	
3	5910 893 8504	Spindle M8x1 LS	1		
4	5910 007 1010	Set of screw sleeves LS	1		
5	5910 007 1008	Adapter kit LS	1		