

MS 261

Spare Parts List

02/01/2022

United Kingdom, English

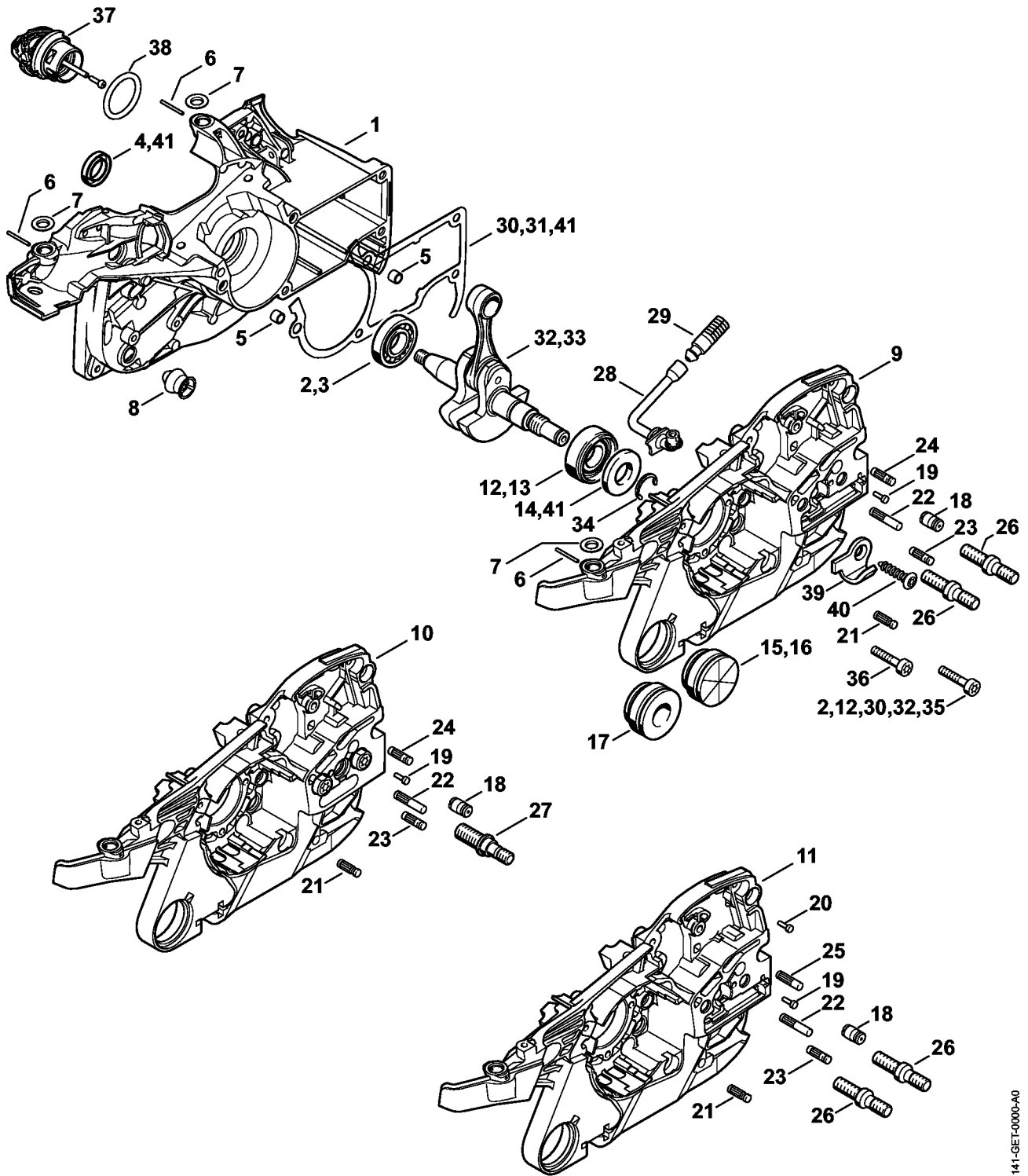
Contents

| | | | |
|--|----|--|-----|
| Crankcase | 3 | Setting gauge | 64 |
| Cylinder, Muffler | 6 | Installing tool | 66 |
| Oil pump, Clutch | 8 | Assembly tube | 68 |
| Chain brake | 11 | Test flange | 70 |
| Chain tensioner, Chain sprocket cover | 13 | Assembly hook | 72 |
| Ignition system, Wiring harness | 15 | Stud puller, M8 | 74 |
| Rewind starter, Hand guard | 17 | Assembly hook | 76 |
| Tank housing | 19 | Ignition system tester, ZAT 3 | 78 |
| AV system, Handlebar | 21 | Ignition system tester, ZAT 4 | 80 |
| Shroud, Air baffle | 23 | Socket, 13 mm, long reach | 82 |
| Carburetor bracket, Air filter | 25 | Locking strip | 84 |
| Carburetor 1141/46, CIQ-S211, CIQ-S178 | 27 | Setting disk | 86 |
| Throttle control | 30 | Torque wrench with optical/acoustic signal | 88 |
| Tools, Extras | 32 | Torque wrench with optical/acoustic signal | 90 |
| 2-in-1 laser | 34 | Jaw (profile No. 3.1 and 4) | 92 |
| Serial number | 36 | Screw sleeve | 94 |
| Smart Connector | 38 | Sleeve | 96 |
| Miscellaneous lubricants and greases | 40 | Screw sleeve | 98 |
| Cleaning products | 42 | Plug | 100 |
| Nipple | 44 | Assembly stand | 102 |
| Installing tool | 46 | Installing tool, 10 | 104 |
| Clamping strap | 48 | Puller | 106 |
| Assembly drift | 50 | Drilled plate | 108 |
| Press sleeve | 52 | Press sleeve | 110 |
| Press arbor | 54 | Installing sleeve | 112 |
| Sealing plate | 56 | Screwdriver | 114 |
| Pliers A19 | 58 | Puller | 116 |
| Socket, T27x125 | 60 | Puller | 118 |
| Hose 135 mm / 5 5/16" | 62 | Punchdown tool | 120 |

Contents

| | |
|---|-----|
| Cover | 122 |
| Nipple | 124 |
| Pump | 126 |
| Screwdriver, T8 | 128 |
| Collar screw | 130 |
| Support | 132 |
| Adapter, battery-to-analyzer AAD 1 | 134 |
| Diagnostic unit MDG 1 | 136 |
| Screwdriver, T27x150 | 138 |
| Service tool AS | 140 |
| Puller | 142 |
| Screwdriver, T10 | 144 |
| Screwdriver, T10 | 146 |
| Chain without cutters .325" 1.3 (40 cm / 16") | 148 |
| Socket, 8 mm, long reach | 150 |
| Setting gauge | 152 |
| Installing tool AS | 154 |
| Installing tool LS | 156 |

Crankcase



1141-GET-0000-A0

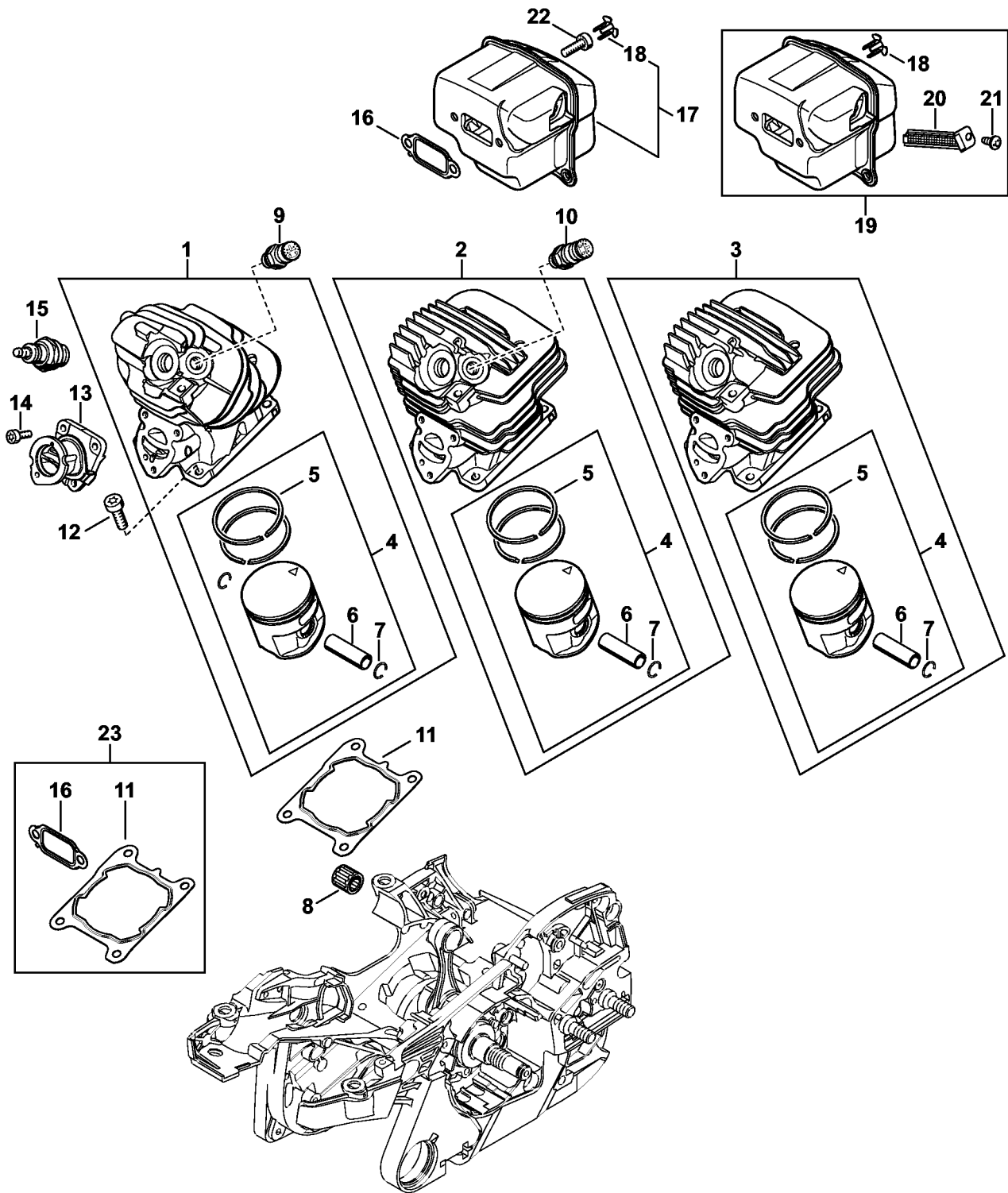
Crankcase

| # | Part Number | Description | Quantity | Contains Item(s) | Remarks |
|----|---------------|-------------------------------|----------|-----------------------------------|---------|
| 1 | 1141 020 2616 | Crankcase, fan side | 1 | 3 - 8, 35, 37, 38 | |
| 2 | 1141 007 1010 | Ball bearing kit | 1 | 3, 35 | |
| 3 | 9503 003 0322 | Grooved ball bearing 15x32x8 | 1 | | |
| 4 | 9640 003 1560 | Oil seal 15x22x4 | 1 | | |
| 5 | 0000 988 8600 | Sleeve | 2 | | |
| 6 | 9371 470 1058 | Cylindrical pin 1,8x19 | 3 | | |
| 7 | 0000 963 0902 | Bushing | 3 | | |
| 8 | 1141 791 5902 | Stop buffer | 1 | | |
| 9 | 1141 020 2910 | Crankcase, clutch side | 1 | 6, 7, 13, 14, 18, 19, 21 - 24, 26 | |
| 12 | 1141 007 1011 | Ball bearing kit | 1 | 13, 35 | |
| 13 | 9523 003 4262 | Grooved ball bearing 15x35x13 | 1 | | |
| 14 | 9640 003 1600 | Oil seal 15x29.6x4 | 1 | | |
| 17 | 1141 791 5908 | Stop buffer | 1 | | |
| 18 | 1128 640 9100 | Valve | 1 | | |
| 19 | 0000 974 1200 | Notched pin 2.6x8 | 1 | | |
| 21 | 1120 162 5200 | Pin | 1 | | |
| 22 | 1121 162 5205 | Pin | 1 | | |
| 23 | 1121 162 5200 | Pin | 1 | | |
| 24 | 1121 162 5200 | Pin | 1 | | |
| 26 | 0000 664 2406 | Collar screw M8 | 2 | | |
| 28 | 1141 647 9400 | Hose | 1 | | |
| 29 | 1117 640 3800 | Pickup body | 1 | | |
| 30 | 1141 007 1009 | Gasket kit | 1 | 31, 35 | |
| 31 | 1141 029 0500 | Gasket | 1 | | |
| 32 | 1141 030 0407 | Crankshaft | 1 | 33, 35 | |
| 33 | 1141 030 0400 | Crankshaft | 1 | | |

Crankcase

| # | Part Number | Description | Quantity | Contains Item(s) | Remarks |
|----|---------------|--------------------------------------|----------|------------------|---------|
| 34 | 9468 621 1520 | Circlip 15x1 | 1 | | |
| 35 | 9022 500 1051 | Spline screw IS-M5x27 | 5 | | |
| 36 | 9022 371 1050 | Spline screw IS-M5x25 | 5 | | |
| 37 | 0000 350 0537 | Oil filler cap | 1 | 38 | |
| 38 | 9645 948 2470 | O-ring 23x3 | 1 | | |
| 39 | 1141 656 7700 | Chain catcher | 1 | | |
| 40 | 9074 477 4438 | Pan head self-tapping screw IS-P6x30 | 1 | | |
| 41 | 1141 007 1000 | Set of gaskets | 1 | 4, 14, 31, 35 | |

Cylinder, Muffler

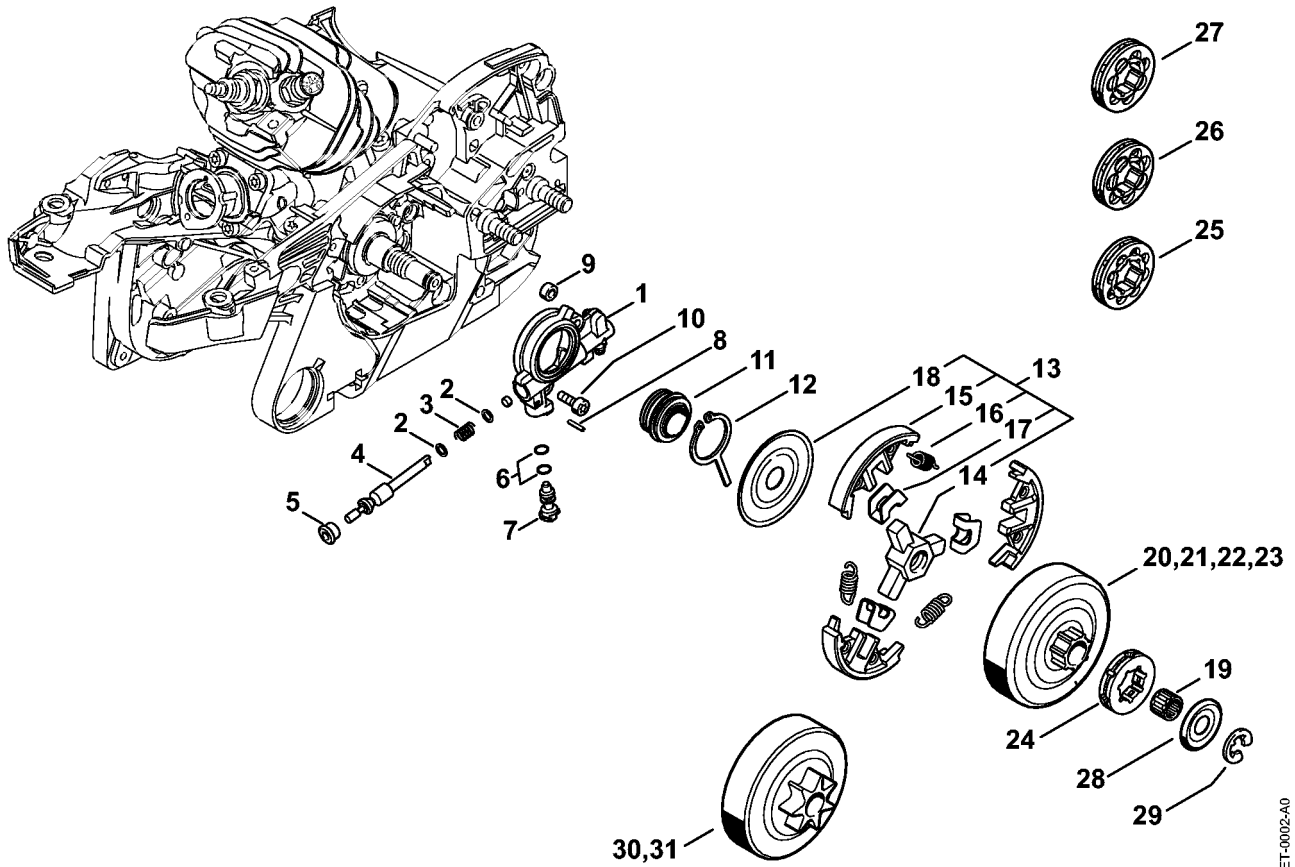


1141-GET-0034-A1

Cylinder, Muffler

| # | Part Number | Description | Quantity | Contains Item(s) | Remarks |
|----|---------------|--------------------------------|----------|------------------|---------|
| 2 | 1141 020 1200 | Cylinder with piston Ø 44.7 mm | 1 | 4 - 7 | |
| 4 | 1141 030 2031 | Piston Ø 44,7 mm | 1 | 5 - 7 | |
| 5 | 1141 034 3000 | Piston ring Ø 44.7x1.2 mm | 2 | | |
| 6 | 1141 034 1502 | Piston pin 10x6x32 | 1 | | |
| 7 | 9463 650 1000 | Snap ring 10 | 2 | | |
| 8 | 9512 003 2334 | Needle cage 10x14x13,5 | 1 | | |
| 10 | 1141 020 9400 | Decompression valve | 1 | | |
| 11 | 1141 029 2302 | Cylinder gasket | 1 | | |
| 12 | 9022 371 1020 | Spline screw IS-M5x20 | 4 | | |
| 13 | 1141 140 2530 | Manifold | 1 | | |
| 14 | 9022 313 0660 | Spline screw IS-M4x12 | 3 | | |
| 15 | 0000 400 7000 | Spark plug NGK BPMR7A | 1 | | |
| 15 | 1110 400 7005 | Spark plug Bosch WSR 6 F | 1 | | |
| 16 | 1141 149 0600 | Muffler gasket | 1 | | |
| 17 | 1141 140 0631 | Muffler | 1 | 18 | |
| 18 | 1141 145 9002 | Plug | 2 | | |
| 22 | 9022 341 0983 | Spline screw IS-M5x16 | 4 | | |
| 23 | 1141 007 1000 | Set of gaskets | 1 | 11, 16 | |

Oil pump, Clutch



1141-GET-0002-A0

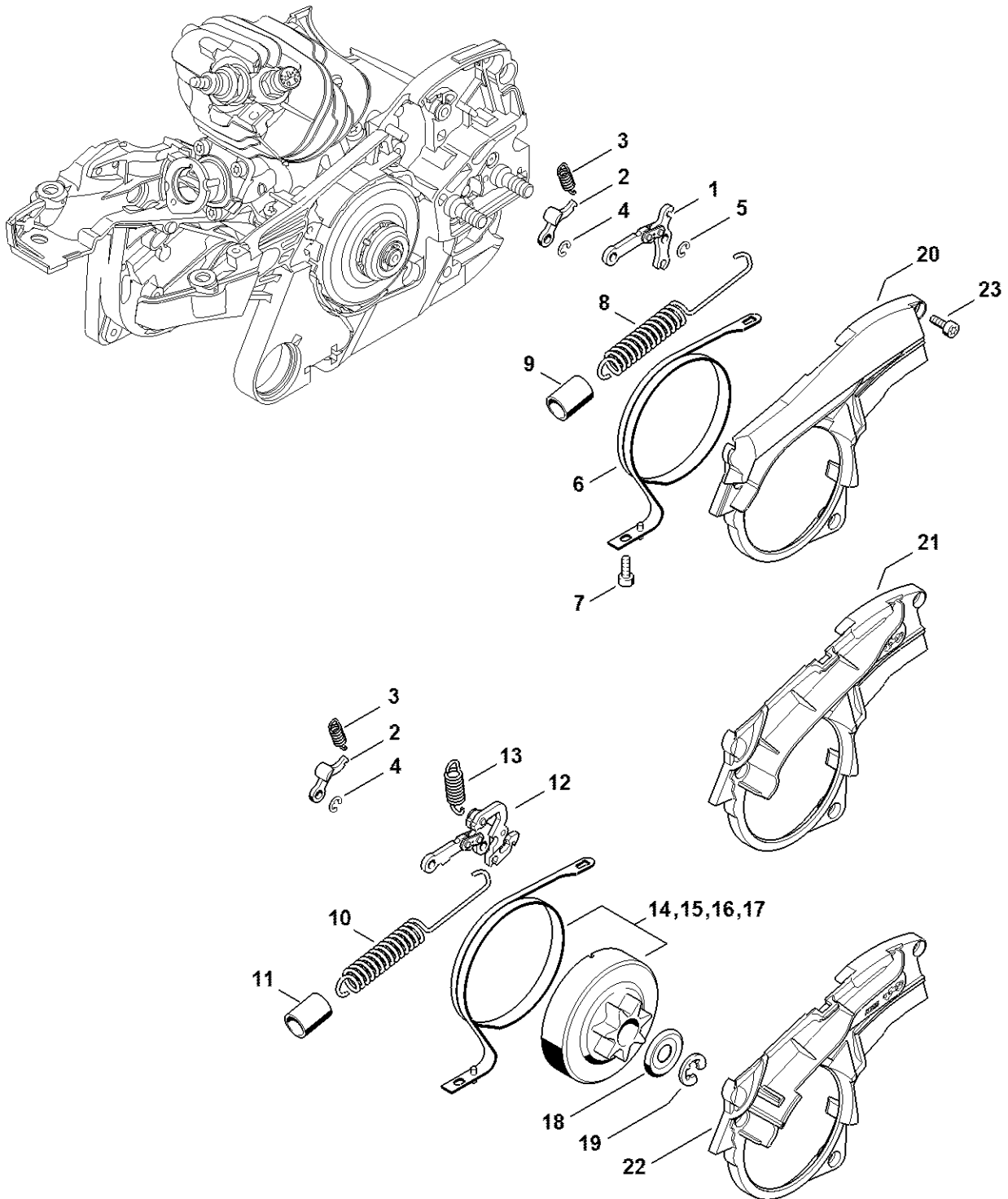
Oil pump, Clutch

| # | Part Number | Description | Quantity | Contains Item(s) | Remarks |
|----|---------------|----------------------------|----------|------------------|---------|
| 1 | 1141 640 3200 | Oil pump | 1 | 2 - 8 | |
| 2 | 0000 958 0408 | Washer | 2 | | |
| 3 | 0000 997 2002 | Compression spring | 1 | | |
| 4 | 1121 647 0603 | Pump piston | 1 | | |
| 5 | 1121 641 9400 | Bearing bushing | 1 | | |
| 6 | 9646 945 0160 | O-ring 4x2 | 2 | | |
| 7 | 1128 647 4806 | Control bolt | 1 | | |
| 8 | 9380 620 1090 | Roll pin 2x10 | 1 | | |
| 9 | 1122 649 5000 | Sealing ring B4x2 | 1 | | |
| 10 | 9022 313 0660 | Spline screw IS-M4x12 | 2 | | |
| 11 | 1121 640 7111 | Worm | 1 | 12 | |
| 12 | 1121 647 3100 | Carrier | 1 | | |
| 13 | 1121 160 2051 | Clutch | 1 | 14 - 18 | |
| 14 | 1121 162 3201 | Carrier | 1 | | |
| 15 | 1121 162 0802 | Clutch shoe | 3 | | |
| 16 | 0000 997 5600 | Tension spring | 3 | | |
| 17 | 1127 162 3000 | Retainer | 3 | | |
| 18 | 1121 162 1001 | Cover washer | 1 | | |
| 19 | 9512 933 2260 | Needle cage 10x13x10 | 1 | | |
| 20 | 1141 007 1002 | Rim sprocket kit 0.325" 7T | 1 | 24, 28, 29 | |
| 21 | 1141 007 1003 | Rim sprocket kit 0.325" 8T | 1 | 25, 28, 29 | |
| 22 | 1141 007 1001 | Rim sprocket kit 3/8" 7T | 1 | 26, 28, 29 | |
| 23 | 1141 007 1007 | Rim sprocket kit 3/8" P 7T | 1 | 27 - 29 | |
| 24 | 0000 642 1236 | Rim sprocket 0.325" 7T | 1 | | |
| 25 | 0000 642 1234 | Rim sprocket 0.325" 8T | 1 | | |
| 26 | 0000 642 1231 | Rim sprocket 3/8" 7T | 1 | | |
| 27 | 0000 642 1240 | Rim sprocket 3/8" Picco 7T | 1 | | |

Oil pump, Clutch

| # | Part Number | Description | Quantity | Contains Item(s) | Remarks |
|----|---------------|--------------------------|----------|------------------|---------|
| 28 | 0000 958 1022 | Washer Ø 27 mm | 1 | | |
| 29 | 9460 624 0801 | E-clip 8x1.3 | 1 | | |
| 30 | 1141 640 2001 | Chain sprocket 0.325" 7T | 1 | | |
| 31 | 1141 640 2003 | Chain sprocket 3/8" 7T | 1 | | |

Chain brake

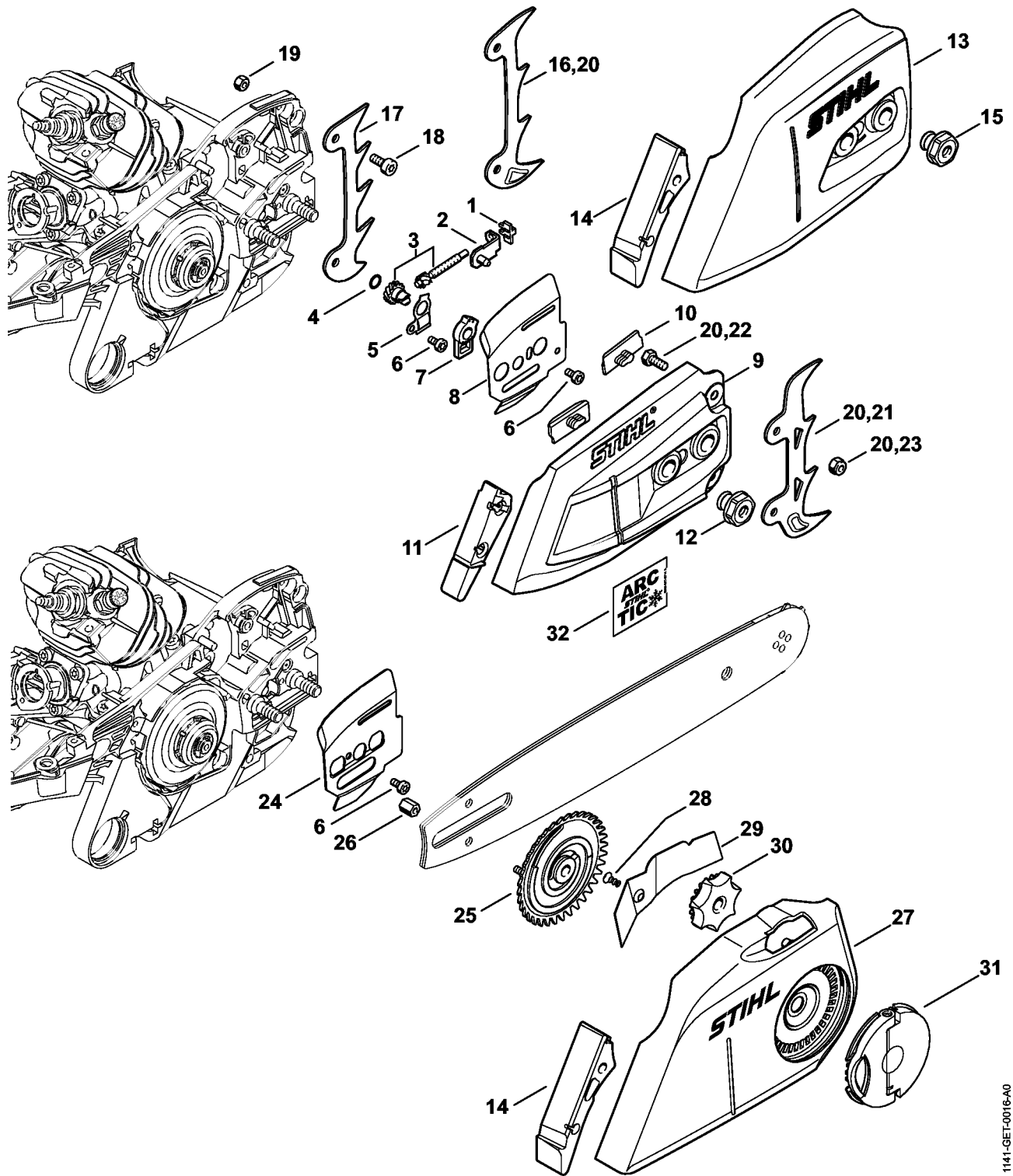


1141-GET-0003-A1

Chain brake

| # | Part Number | Description | Quantity | Contains Item(s) | Remarks |
|----|---------------|-----------------------|----------|------------------|---------|
| 1 | 1128 160 5000 | Lever | 1 | | |
| 2 | 1121 162 5010 | Lever | 1 | | |
| 3 | 0000 997 0628 | Spring | 1 | | |
| 4 | 9460 624 0400 | E-clip 4 | 1 | | |
| 5 | 9460 624 0400 | E-clip 4 | 1 | | |
| 6 | 1141 160 5400 | Brake band | 1 | | |
| 7 | 9022 346 0658 | Spline screw IS-M4x12 | 1 | | |
| 8 | 1141 160 5500 | Tension spring | 1 | 9 | |
| 9 | 1141 162 8001 | Hose | 1 | | |
| 21 | 1141 021 1100 | Cover | 1 | | |
| 23 | 9022 313 0660 | Spline screw IS-M4x12 | 3 | | |

Chain tensioner, Chain sprocket cover

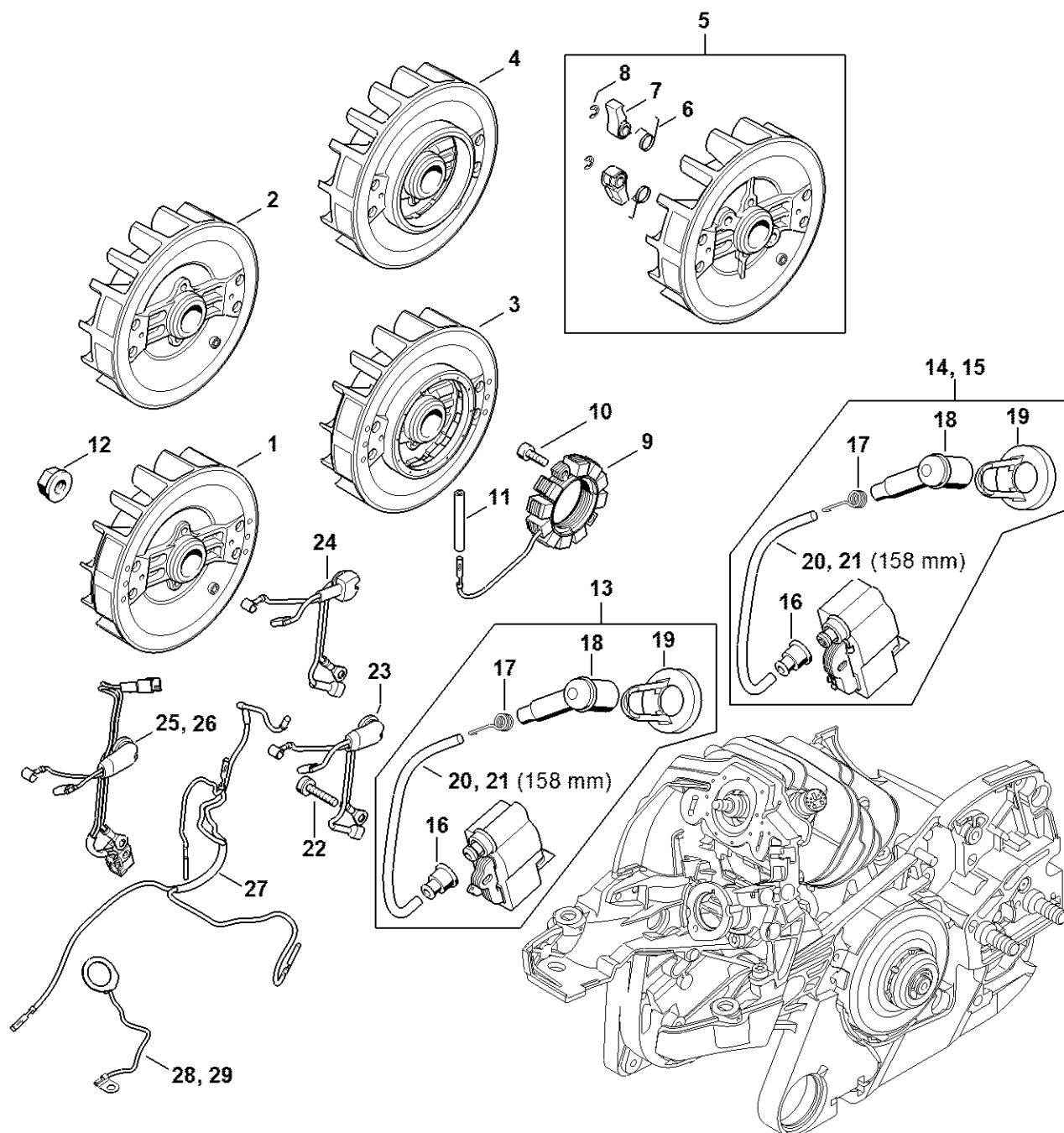


1141-GET-0016-A0

Chain tensioner, Chain sprocket cover

| # | Part Number | Description | Quantity | Contains Item(s) | Remarks |
|----|---------------|---------------------------------------|----------|------------------|---------|
| 1 | 1125 664 1400 | Thrust pad | 1 | | |
| 2 | 1125 640 1900 | Tensioner slide | 1 | | |
| 3 | 1125 007 1021 | Spur gear / chain adjusting screw kit | 1 | 4 | |
| 4 | 9646 945 0490 | O-ring 7x1.5 | 1 | | |
| 5 | 1122 664 2200 | Cover plate | 1 | | |
| 6 | 9022 313 0633 | Spline screw IS-M4x8 | 1 | | |
| 7 | 1122 664 4500 | Support | 1 | | |
| 8 | 1141 664 1030 | Inner side plate | 1 | | |
| 10 | 1121 648 6610 | Bumper strip | 2 | | |
| 13 | 1141 640 1700 | Chain sprocket cover | 1 | 10, 14, 15 | |
| 14 | 1135 656 1500 | Guard | 1 | | |
| 15 | 0000 995 0806 | Collar nut M8 | 2 | | |
| 16 | 1142 664 0500 | Bumper spike | 1 | | |
| 18 | 9022 341 0983 | Spline screw IS-M5x16 | 2 | | |
| 19 | 9214 320 0700 | Lock nut M5 | 1 | | |
| 20 | 0000 660 0800 | Bumper spike | 1 | 16, 21 - 23 | |
| 21 | 1141 664 0501 | Bumper spike | 1 | | |
| 22 | 9008 345 0960 | Hexagon head screw M5x12 | 2 | | |
| 23 | 9214 320 0700 | Lock nut M5 | 2 | | |

Ignition system, Wiring harness

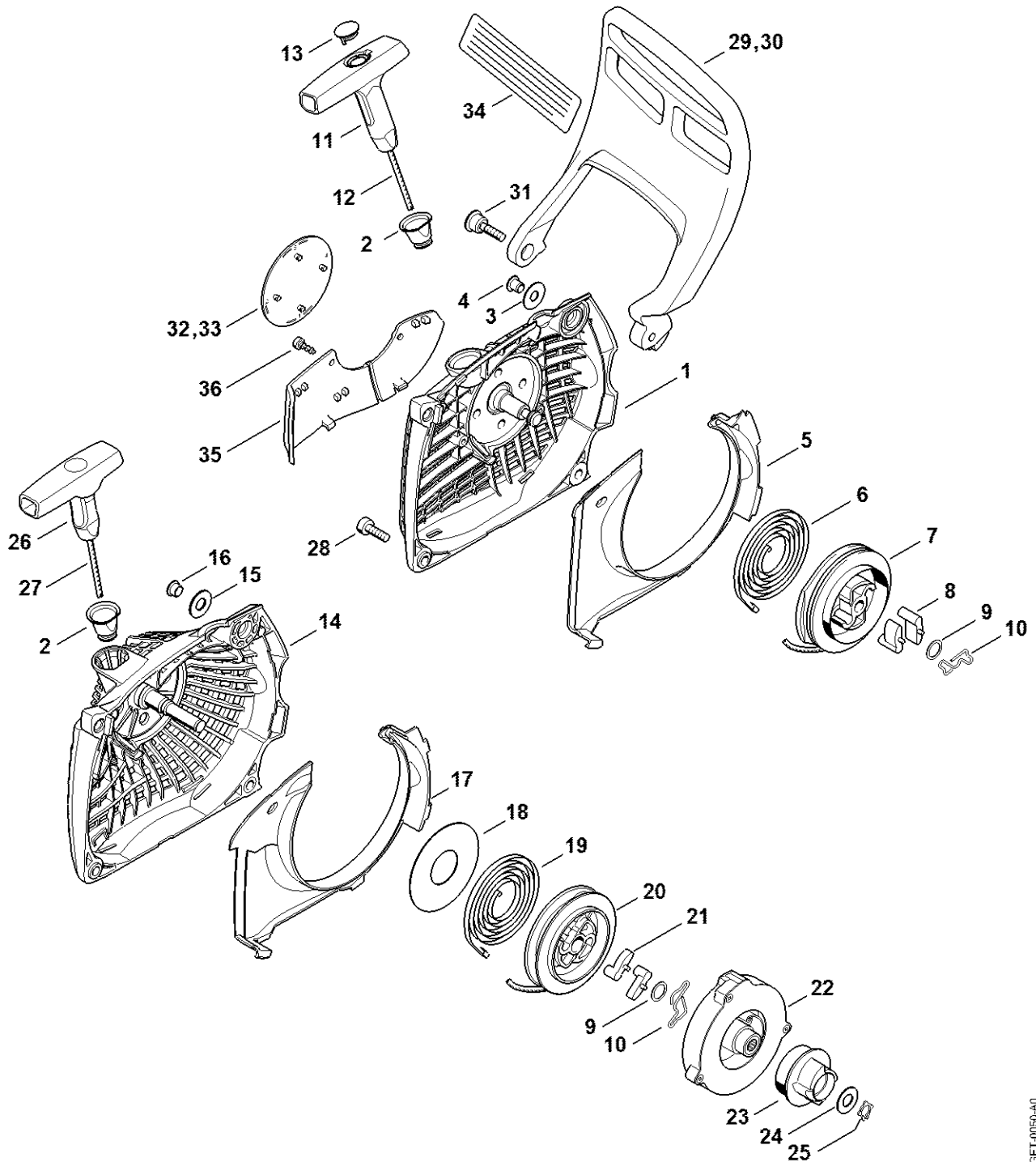


1141-BET-0042-A0

Ignition system, Wiring harness

| # | Part Number | Description | Quantity | Contains Item(s) | Remarks |
|----|---------------|-----------------------|----------|------------------|---------|
| 1 | 1141 400 1200 | Flywheel | 1 | | |
| 12 | 0000 955 0802 | Collar nut M8x1 | 1 | | |
| 13 | 1141 400 1331 | Ignition module | 1 | 16 - 20 | |
| 16 | 0000 989 1002 | Grommet | 1 | | |
| 17 | 0000 998 0603 | Torsion spring | 1 | | |
| 18 | 1106 405 1000 | Spark plug boot | 1 | | |
| 19 | 1128 084 1400 | Spark plug boot cover | 1 | | |
| 20 | 0000 405 0600 | Ignition lead 1 m | 1 | | |
| 21 | 0000 930 2251 | Ignition lead 10 m | 1 | | |
| 22 | 9022 341 0710 | Spline screw IS-M4x20 | 2 | | |
| 23 | 1141 440 3004 | Wiring harness | 1 | | |

Rewind starter, Hand guard

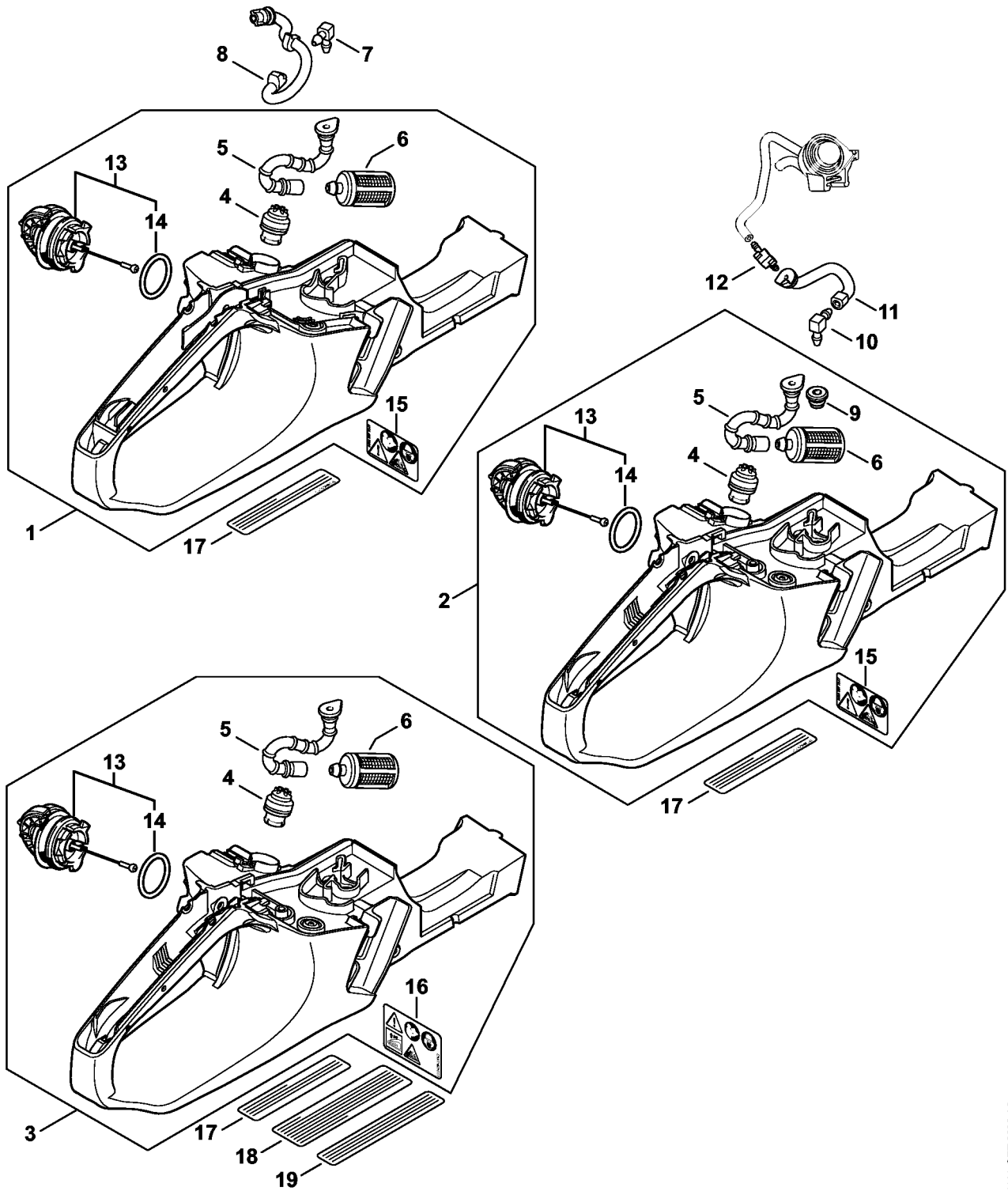


1141-GET-0050-A0

Rewind starter, Hand guard

| # | Part Number | Description | Quantity | Contains Item(s) | Remarks |
|-----------|---------------|--------------------------------------|----------|------------------|---------|
| | 1141 080 2104 | Fan housing with rewind starter | 1 | 1 - 13 | |
| 1 | 1141 080 1806 | Fan housing | 1 | 2 - 4 | |
| 2 | 1110 084 9102 | Bushing | 1 | | |
| 3 | 0000 958 0607 | Washer | 1 | | |
| 4 | 1141 084 0700 | Rivet | 1 | | |
| 5 | 1141 084 7800 | Segment | 1 | | |
| 6 | 1135 190 0600 | Rewind spring | 1 | | |
| 7 | 1128 195 0400 | Rope rotor | 1 | | |
| 8 | 1125 195 7200 | Pawl | 2 | | |
| 9 | 0000 958 0923 | Washer | 1 | | |
| 10 | 1128 195 3500 | Spring | 1 | | |
| 11 | 0000 190 3401 | Starter grip ElastoStart Ø 3.5 mm | 1 | 12, 13 | |
| 12 | 1113 195 8200 | Starter rope Ø 3.5x960 mm | 1 | | |
| 13 | 0000 195 7001 | Cap | 1 | | |
| 28 | 9022 341 0980 | Spline screw IS-M5x16 | 3 | | |
| 30 | 1141 792 9100 | Hand guard | 1 | | |
| 31 | 1141 790 6100 | Screw assy. M5 | 1 | | |
| 32 | 1141 967 1500 | Model plate MS 261 | 1 | | |
| 35 | 1141 007 1004 | Cover plate kit | 1 | 36 | |
| 36 | 9075 478 3015 | Pan head self-tapping screw IS-D4x15 | 2 | | |

Tank housing

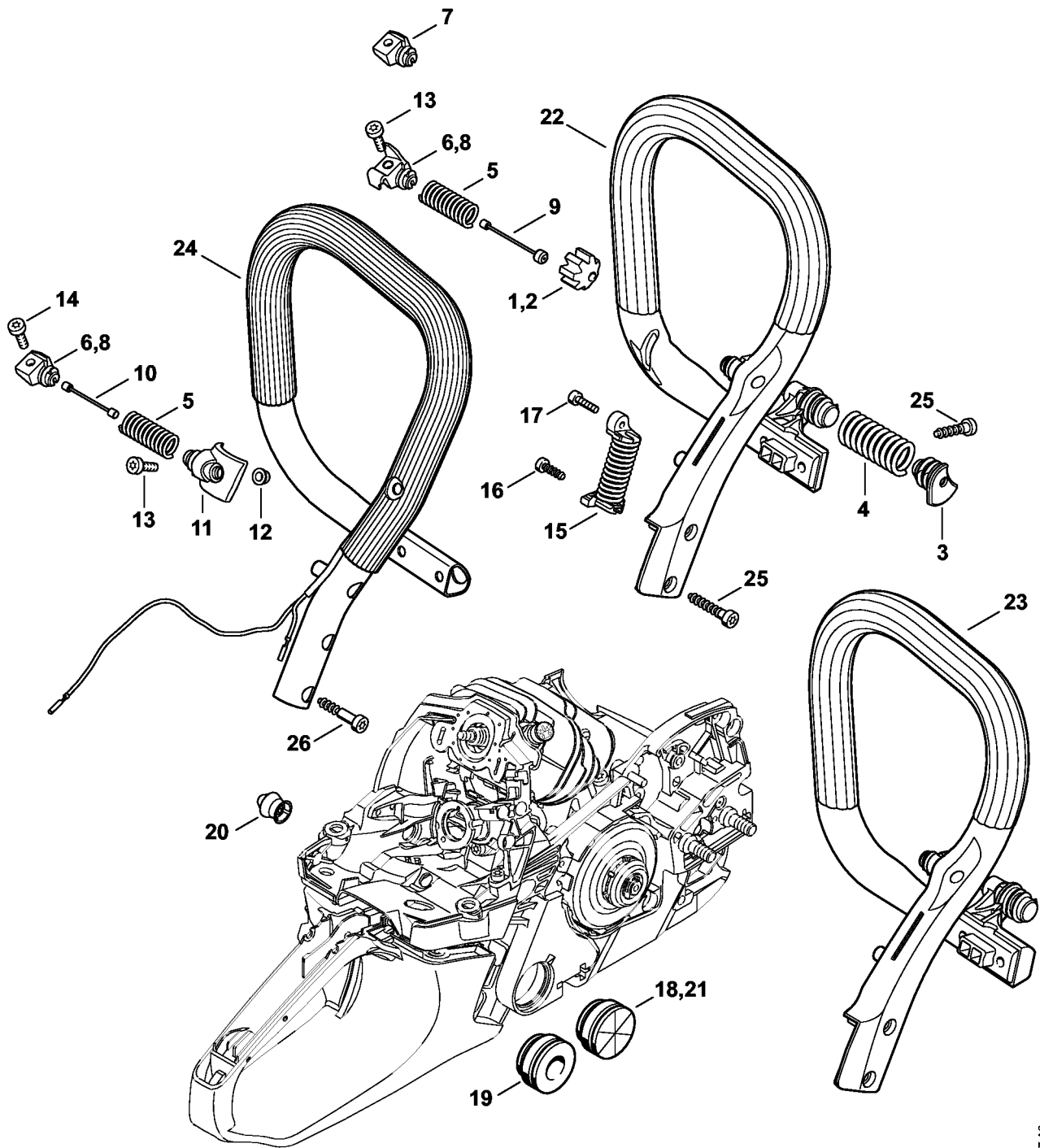


1141-GET-0038-A0

Tank housing

| # | Part Number | Description | Quantity | Contains Item(s) | Remarks |
|----|---------------|-----------------------------|----------|------------------|---------|
| 1 | 1141 350 0824 | Tank housing | 1 | 4 - 6, 13 - 15 | |
| 4 | 0000 350 5800 | Tank vent | 1 | | |
| 5 | 1141 358 7708 | Hose | 1 | | |
| 6 | 0000 350 3518 | Pickup body | 1 | | |
| 7 | 4224 122 3900 | Elbow connector | 1 | | |
| 8 | 1141 358 7710 | Hose | 1 | | |
| 13 | 0000 350 0532 | Filler cap | 1 | 14 | |
| 14 | 9645 948 7734 | O-ring 25x3.5 | 1 | | |
| 15 | 0000 967 7247 | Warning pictogram MS | 1 | | |
| 17 | 0000 967 3579 | Instruction label (Spanish) | 1 | | USA |
| 19 | 0000 967 4019 | Instruction label | 1 | | CDN |

AV system, Handlebar

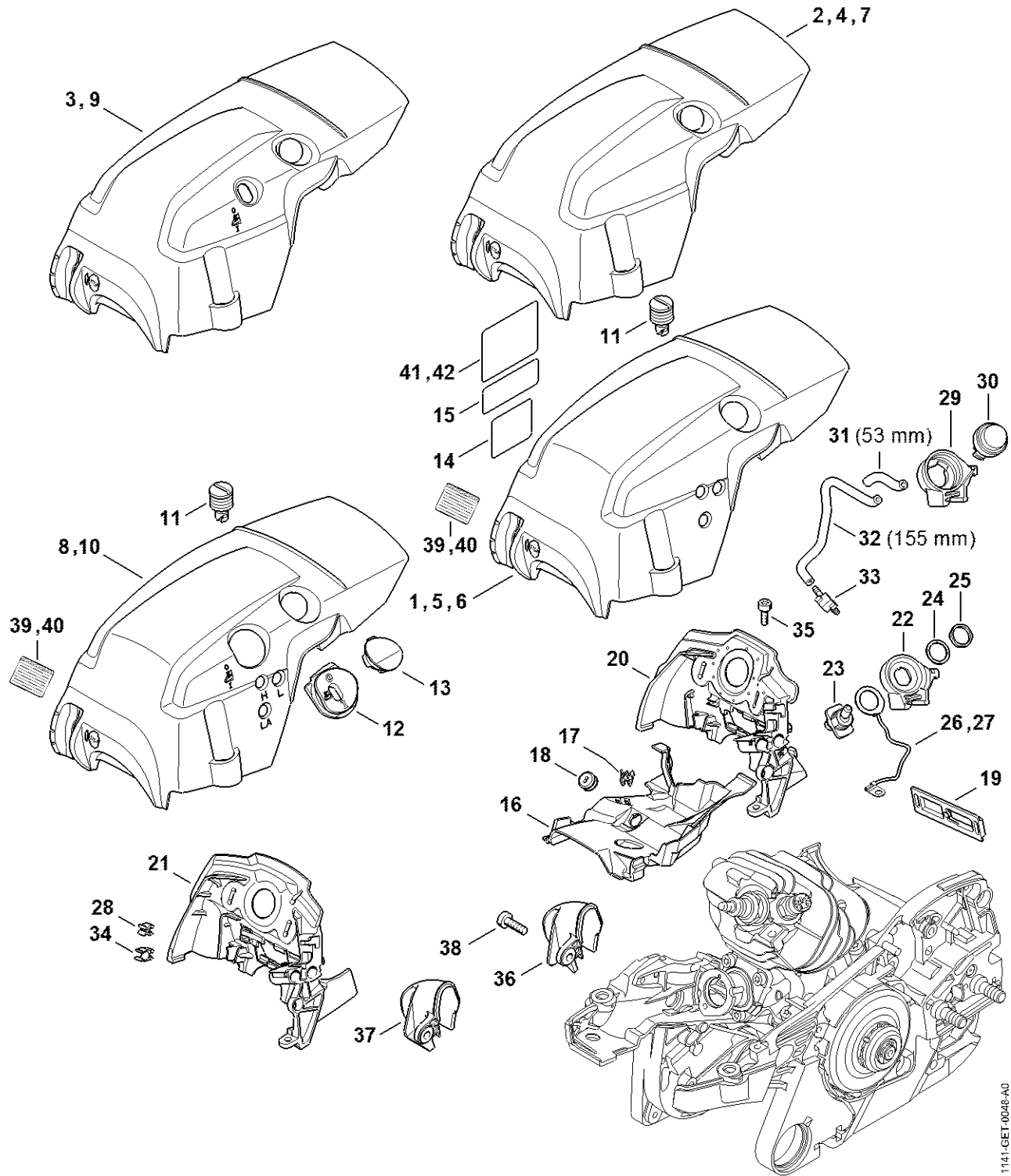


1141-GET-0007-A0

AV system, Handlebar

| # | Part Number | Description | Quantity | Contains Item(s) | Remarks |
|----|---------------|--|----------|------------------|---------|
| 1 | 1141 791 2802 | Stop buffer | 1 | | |
| 3 | 1141 792 2900 | AV mount | 1 | | |
| 4 | 1141 791 3112 | Spring | 1 | | |
| 5 | 1141 791 3102 | Spring | 1 | | |
| 6 | 1141 792 2902 | AV mount | 1 | | |
| 7 | 1141 792 2910 | AV mount | 1 | | |
| 9 | 1135 790 8100 | Retainer | 1 | | |
| 14 | 9022 341 0983 | Spline screw IS-M5x16 | 1 | | |
| 15 | 1141 790 8304 | AV-Spring | 1 | | |
| 16 | 9074 477 4130 | Pan head self-tapping screw IS-P5x16 | 1 | | |
| 17 | 9022 313 0680 | Pan head screw IS M4x16 | 1 | | |
| 19 | 1141 791 5908 | Stop buffer | 1 | | |
| 20 | 1141 791 5902 | Stop buffer | 1 | | |
| 22 | 1141 791 1706 | Handlebar | 1 | | |
| 25 | 9074 478 4675 | Pan head self-tapping screw IS-P6x32.5 | 4 | | |

Shroud, Air baffle

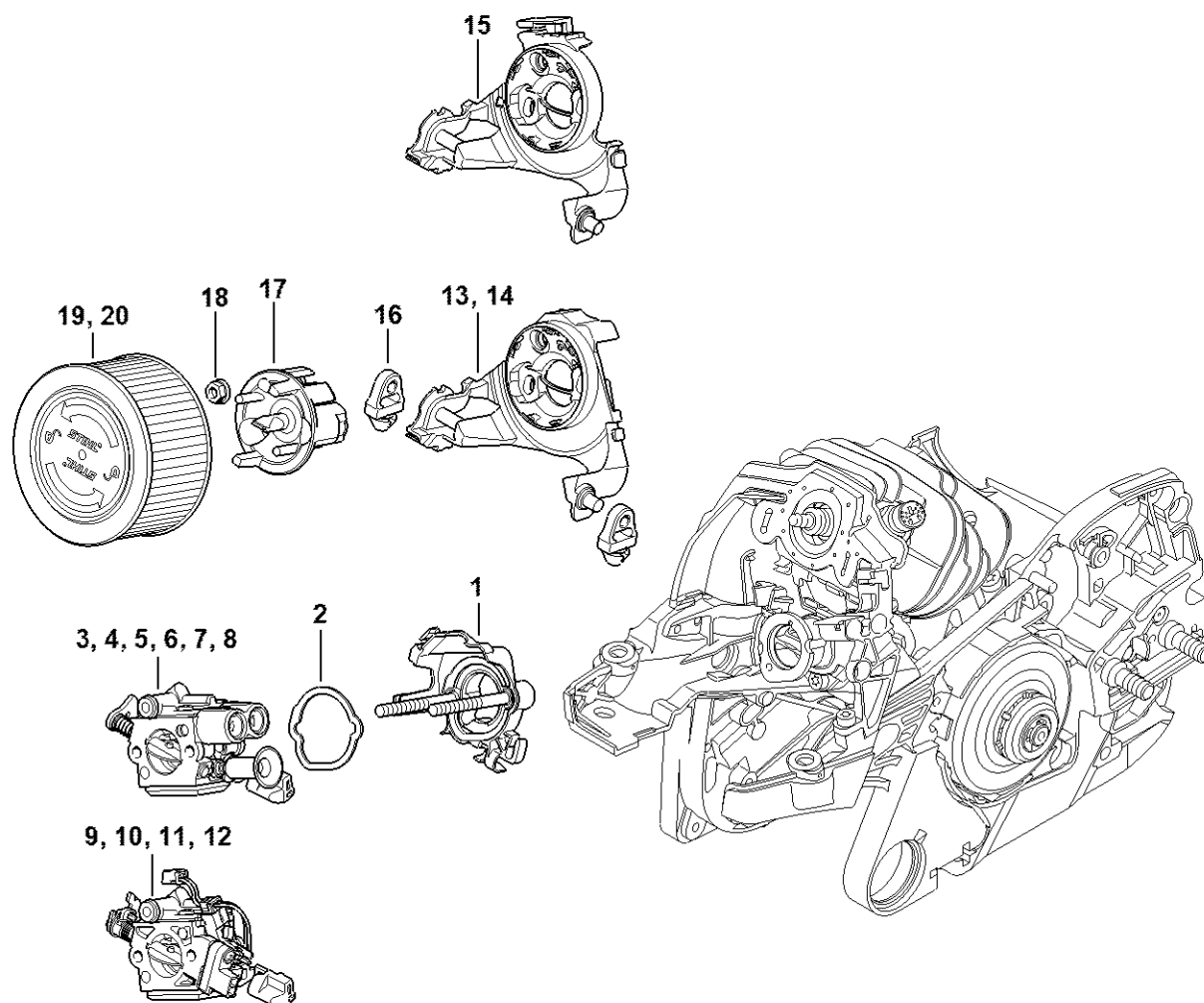


1141-GET-0048-A0

Shroud, Air baffle

| # | Part Number | Description | Quantity | Contains Item(s) | Remarks |
|----|---------------|-----------------------|----------|------------------|---------|
| 6 | 1141 080 1600 | Shroud | 1 | 11 | |
| 11 | 1140 140 9200 | Twist lock | 3 | | |
| 16 | 1141 087 3032 | Air guide shroud | 1 | | |
| 19 | 1141 084 4100 | Shutter | 1 | | |
| 21 | 1141 087 3004 | Air guide shroud | 1 | | |
| 35 | 9022 346 0658 | Spline screw IS-M4x12 | 1 | | |
| 37 | 1141 141 7520 | Pre-separator | 1 | | |
| 38 | 9022 341 0980 | Spline screw IS-M5x16 | 1 | | |

Carburetor bracket, Air filter

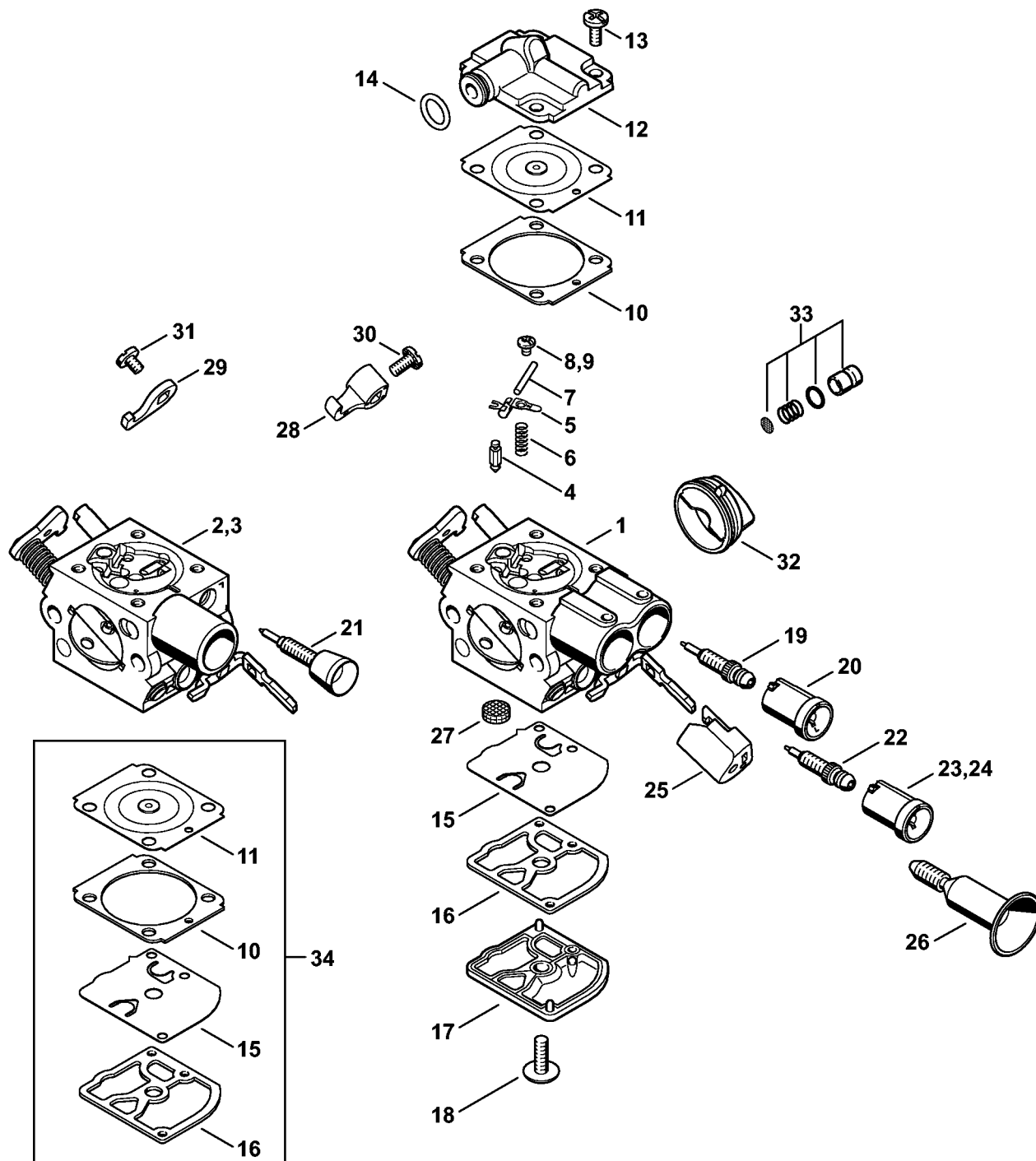


1141-GET-0044-A0

Carburetor bracket, Air filter

| # | Part Number | Description | Quantity | Contains Item(s) | Remarks |
|----|---------------|----------------------|----------|------------------|---------|
| 1 | 1141 120 0901 | Carburetor bracket | 1 | | |
| 2 | 1141 121 8600 | Washer | 1 | | |
| 3 | 1141 120 0646 | Carburetor 1141/46 | 1 | | |
| 4 | 1141 120 0606 | Carburetor C1Q-S211B | 1 | | |
| 15 | 1141 141 0920 | Filter base | 1 | | |
| 16 | 1141 122 9903 | Buffer | 2 | | |
| 17 | 1141 121 6930 | Intake baffle | 1 | | |
| 18 | 9216 261 0700 | Hexagon nut M5 | 2 | | |
| 19 | 1141 140 4400 | Air filter HD2 | 1 | | |

Carburetor 1141/46, C1Q-S211, C1Q-S178



1141-GET-0019-A0

Carburetor 1141/46, C1Q-S211, C1Q-S178

| # | Part Number | Description | Quantity | Contains Item(s) | Remarks |
|----|---------------|----------------------|----------|---|---------|
| 1 | 1141 120 0646 | Carburetor 1141/46 | 1 | 4 - 8, 10 - 20, 22, 23, 25 - 28, 30, 32, 33 | |
| 2 | 1141 120 0606 | Carburetor C1Q-S211B | 1 | 4 - 8, 10 - 18, 21 - 23, 25 - 27, 29, 31 - 33 | |
| 3 | 1141 120 0600 | Carburetor C1Q-S178D | 1 | 4 - 7, 9 - 18, 21, 22, 24 - 27, 29, 31, 32 | |
| 4 | Z000 018 Z000 | Inlet needle | 1 | | |
| 5 | 1125 121 5000 | Inlet control lever | 1 | | |
| 6 | 1128 122 3000 | Spring | 1 | | |
| 7 | 1120 121 9200 | Spindle | 1 | | |
| 8 | 0000 122 7101 | Screw | 1 | | |
| 9 | 4241 122 6600 | Collar screw | 1 | | |
| 10 | 1141 129 0900 | Metering gasket | 1 | | |
| 11 | 1141 121 4730 | Metering diaphragm | 1 | | |
| 12 | 1141 121 0800 | End cover | 1 | | |
| 13 | 1120 122 6601 | Collar screw | 4 | | |
| 14 | 9646 945 0490 | O-ring 7x1.5 | 1 | | |
| 15 | 1129 121 4800 | Pump diaphragm | 1 | | |
| 16 | 1123 129 0905 | Pump gasket | 1 | | |
| 17 | 1139 121 0800 | End cover | 1 | | |
| 18 | 1120 122 7800 | Oval head screw | 1 | | |
| 19 | 1141 120 6800 | Low speed screw | 1 | 20 | |
| 20 | 0000 121 2704 | Cap | 1 | | |
| 21 | 1141 122 6800 | Low speed screw | 1 | | |
| 22 | 1141 122 6700 | High speed screw | 1 | | |
| 23 | 1141 121 2704 | Cap | 1 | | |
| 24 | 1141 121 2702 | Cap | 1 | | |

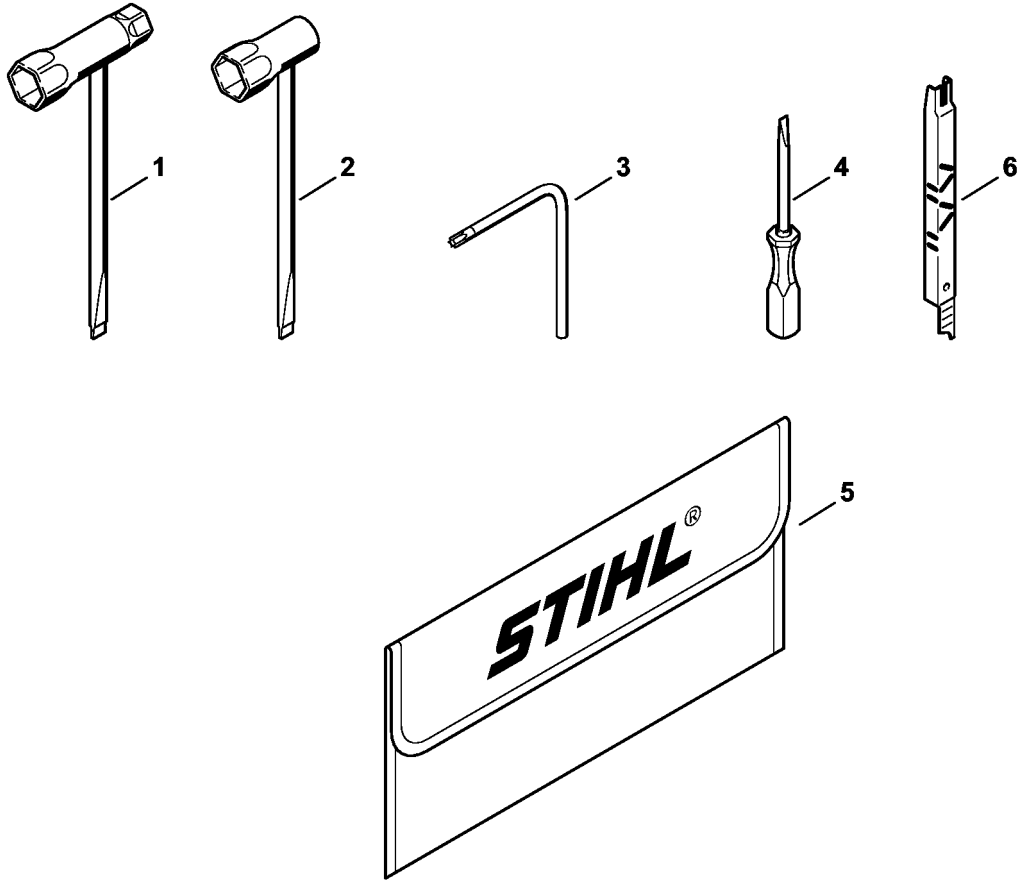
Carburetor 1141/46, C1Q-S211, C1Q-S178

| # | Part Number | Description | Quantity | Contains Item(s) | Remarks |
|----|---------------|-------------------------|----------|------------------|---------|
| 25 | 1141 121 2703 | Cap | 1 | | |
| 26 | 1141 122 6200 | Idle speed screw | 1 | | |
| 27 | 1123 121 7800 | Strainer | 1 | | |
| 28 | 1141 121 6630 | Lever | 1 | | |
| 29 | 1141 121 6600 | Lever | 1 | | |
| 30 | 4132 122 6600 | Collar screw | 1 | | |
| 31 | 9079 319 0280 | Flat head screw M3x3.5 | 1 | | |
| 32 | 1141 121 9402 | Ring | 1 | | |
| 33 | 1143 120 9701 | Pump piston kit | 1 | | |
| 34 | 1141 007 1030 | Set of carburetor parts | 1 | 10, 11, 15, 16 | |

Throttle control

| # | Part Number | Description | Quantity | Contains Item(s) | Remarks |
|----|---------------|----------------------|----------|------------------|---------|
| 1 | 1141 182 1000 | Throttle trigger | 1 | | |
| 2 | 1138 182 4500 | Torsion spring | 1 | | |
| 3 | 1141 182 0800 | Lockout lever | 1 | | |
| 4 | 1141 791 0600 | Handle molding | 1 | | |
| 5 | 9371 470 2640 | Cylindrical pin 5x24 | 1 | | |
| 6 | 1141 182 1500 | Throttle rod | 1 | | |
| 7 | 1141 182 0900 | Switch shaft | 1 | | |
| 10 | 1141 442 1620 | Contact spring | 1 | | |
| 11 | 1141 185 1900 | Choke rod | 1 | | |

Tools, Extras

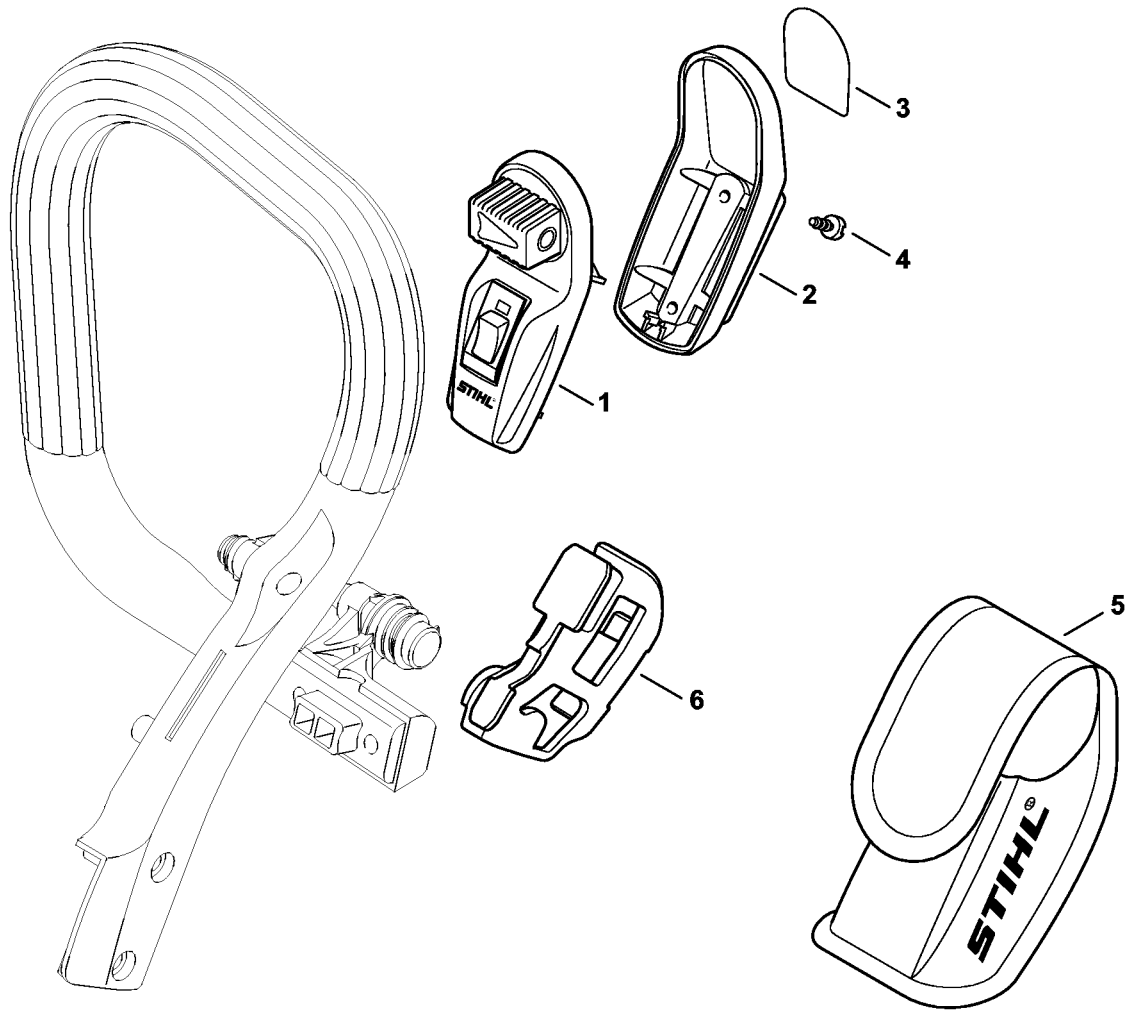


5902ET043 SC

Tools, Extras

| # | Part Number | Description | Quantity | Contains Item(s) | Remarks |
|----------|---------------|------------------------|----------|------------------|---------|
| | 1144 890 1400 | Tool kit | 1 | 2 - 5 | |
| 2 | 1119 890 3405 | Combination wrench | 1 | | |
| 3 | 0812 370 1000 | Screwdriver T27x120x70 | 1 | | |
| 4 | 0000 890 2300 | Screwdriver | 1 | | |
| 5 | 0000 891 0810 | Tool roll | 1 | | |
| 6 | 1110 893 4000 | Filing gauge | 1 | | |

2-in-1 laser

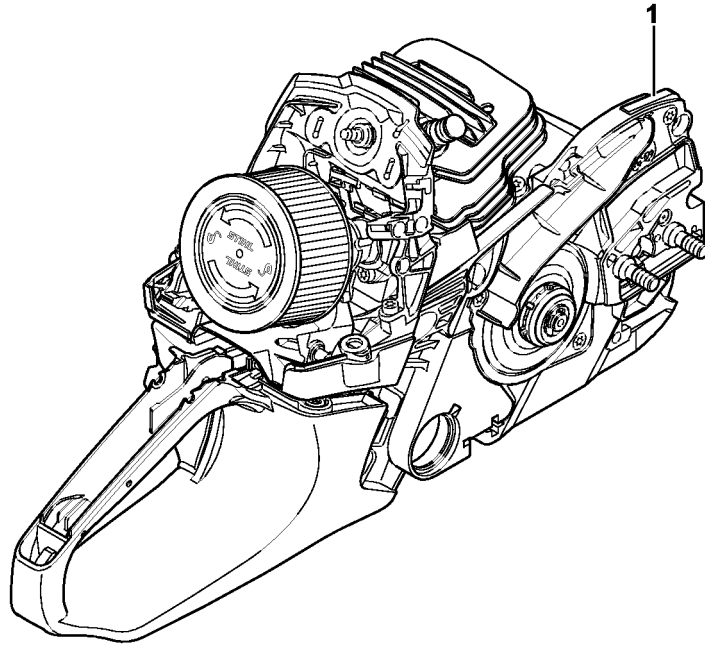


5902ET020 SC

2-in-1 laser

| # | Part Number | Description | Quantity | Contains Item(s) | Remarks |
|---|---------------|--------------------------------------|----------|------------------|---------|
| 1 | 0000 400 0200 | Laser | 1 | 2 - 5 | |
| 2 | 0000 430 9900 | Handle molding, bottom | 1 | 3 | |
| 3 | 0000 967 7307 | Warning pictogram | 1 | | |
| 4 | 9074 478 2967 | Pan head self-tapping screw IS-P4x10 | 2 | | |
| 5 | 0000 491 0100 | Bag | 1 | | |
| 6 | 1141 791 5400 | Support | 1 | | |

Serial number

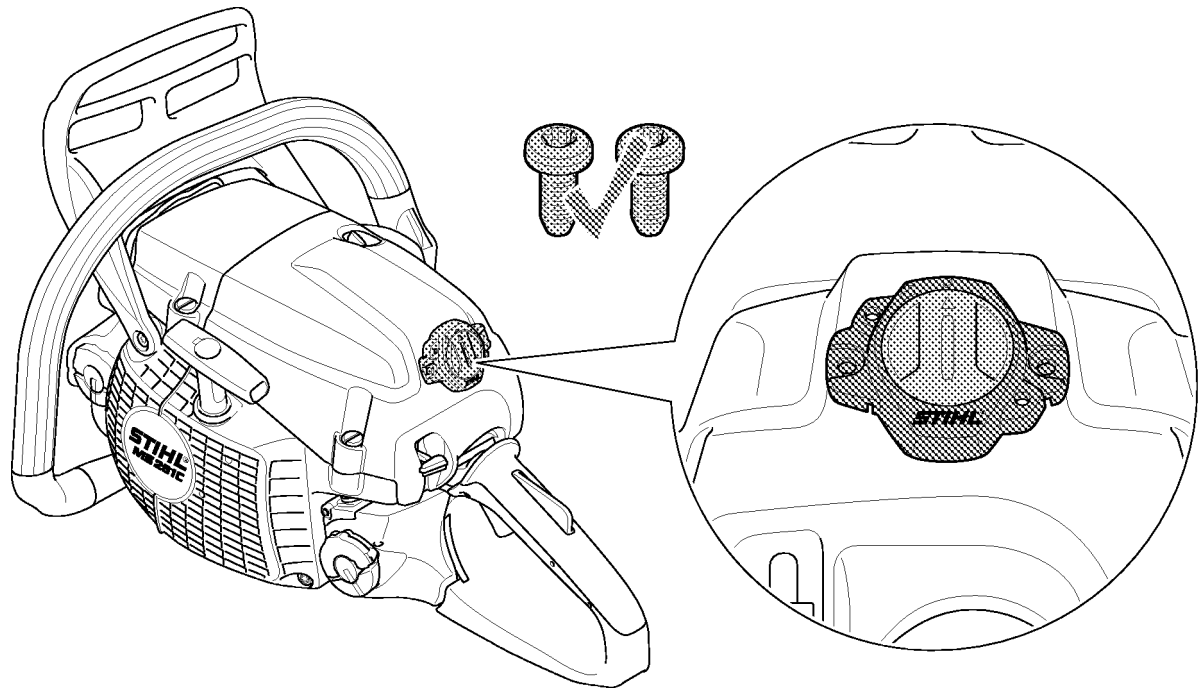


5902ET030 SC

Serial number

| # | Part Number | Description | Quantity | Contains Item(s) | Remarks |
|---|---------------|---------------------------|----------|------------------|---------|
| 1 | 0000 100 0919 | Position of serial number | 1 | | |

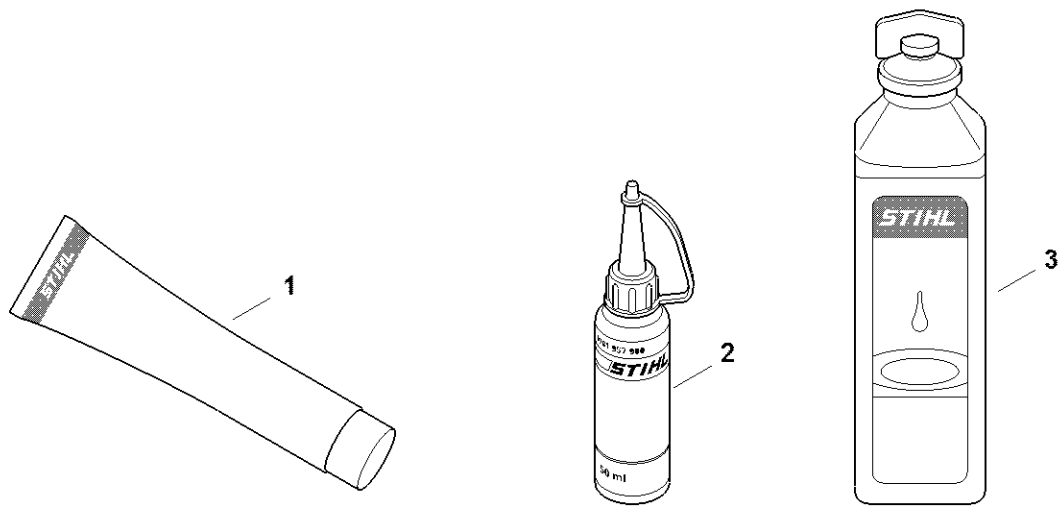
Smart Connector



Smart Connector

| # | Part Number | Description | Quantity | Contains Item(s) | Remarks |
|---|---------------|-----------------------------|----------|------------------|---------|
| | 0000 100 1572 | Position of Smart Connector | 1 | | |

Miscellaneous lubricants and greases

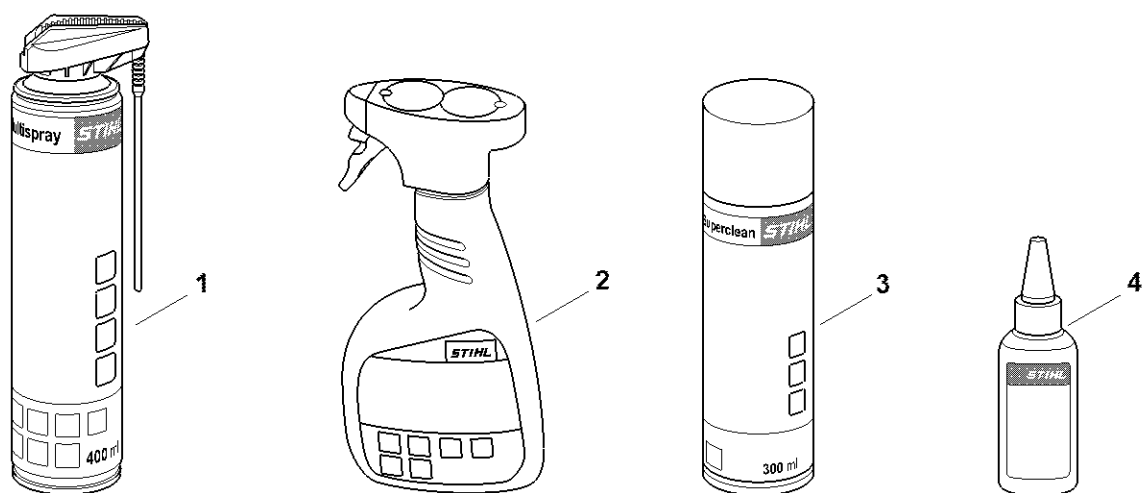


0000-GET-0170-A0

Miscellaneous lubricants and greases

| # | Part Number | Description | Quantity | Contains Item(s) | Remarks |
|---|---------------|---------------------------|----------|------------------|---------|
| 1 | 0781 120 1021 | STIHL Multilub 40g tube | 1 | | |
| 1 | 0781 120 1109 | Multipurpose grease 80 g | 1 | | |
| 1 | 0781 120 1110 | Multipurpose grease 225 g | 1 | | |
| 2 | 0781 957 9000 | Press fluid OH 723 | 1 | | |
| 3 | 0781 319 8401 | HP 100ml | 1 | | |
| 3 | 0781 319 8052 | HP Super 100ml | 1 | | |
| 3 | 0781 319 8060 | HP Ultra 100ml | 1 | | |

Cleaning products

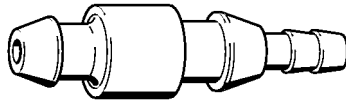


0000-GET-0171-A0

Cleaning products

| # | Part Number | Description | Quantity | Contains Item(s) | Remarks |
|---|---------------|----------------------|----------|------------------|---------|
| 1 | 0730 411 7002 | Multispray 50 ml | 1 | | |
| 1 | 0730 411 7000 | Multispray | 1 | | |
| 2 | 0000 881 9400 | Special cleaner | 1 | | |
| 2 | 0000 881 9409 | Special cleaner 5 l | 1 | | |
| 3 | 0782 420 1001 | Resin solvent 50 ml | 1 | | |
| 3 | 0782 420 1002 | Resin solvent 300 ml | 1 | | |
| 4 | 0782 516 8500 | Multioil Bio 50 ml | 1 | | |

Nipple



901SW008 GM

Nipple

| # | Part Number | Description | Quantity | Contains Item(s) | Remarks |
|---|---------------|-------------|----------|------------------|---------|
| | 0000 855 9200 | Nipple | 1 | | |

Installing tool

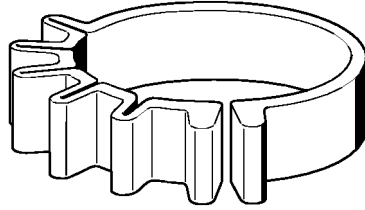


901SW009 GM

Installing tool

| # | Part Number | Description | Quantity | Contains Item(s) | Remarks |
|---|---------------|-----------------|----------|------------------|---------|
| | 0000 890 2201 | Installing tool | 1 | | |
| | 9210 319 0900 | Hexagon nut M6 | 1 | | |

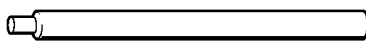
Clamping strap



901SW011 GM

Clamping strap

| # | Part Number | Description | Quantity | Contains Item(s) | Remarks |
|---|---------------|----------------|----------|------------------|---------|
| | 0000 893 2600 | Clamping strap | 1 | | |

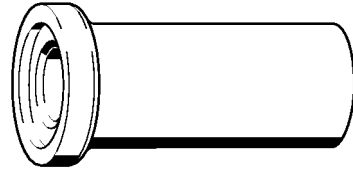


901SW036 GM

Assembly drift

| # | Part Number | Description | Quantity | Contains Item(s) | Remarks |
|---|---------------|----------------|----------|------------------|---------|
| | 1110 893 4700 | Assembly drift | 1 | | |

Press sleeve

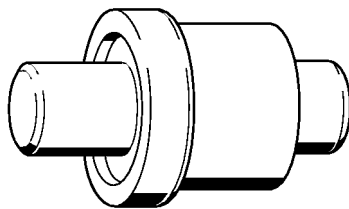


901SW059 GM

Press sleeve

| # | Part Number | Description | Quantity | Contains Item(s) | Remarks |
|---|---------------|--------------|----------|------------------|---------|
| | 1118 893 2401 | Press sleeve | 1 | | |

Press arbor



901 SW062 GM

Press arbor

| # | Part Number | Description | Quantity | Contains Item(s) | Remarks |
|---|---------------|-------------|----------|------------------|---------|
| | 1118 893 7200 | Press arbor | 1 | | |

Sealing plate

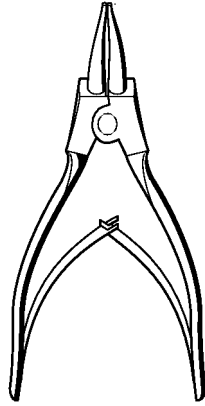


901 SW078 GM

Sealing plate

| # | Part Number | Description | Quantity | Contains Item(s) | Remarks |
|---|---------------|---------------|----------|------------------|---------|
| | 0000 855 8106 | Sealing plate | 1 | | |

Pliers A19

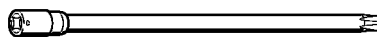


901 SW086 GM

Pliers A19

| # | Part Number | Description | Quantity | Contains Item(s) | Remarks |
|---|---------------|-------------|----------|------------------|---------|
| | 0811 611 8380 | Pliers A19 | 1 | | |

Socket, T27x125



901SW091 GM

Socket, T27x125

| # | Part Number | Description | Quantity | Contains Item(s) | Remarks |
|---|---------------|--|----------|------------------|---------|
| | 0812 542 2104 | Driver bit, 1/4" square drive, T27x125 | 1 | | |

Hose 135 mm / 5 5/16"

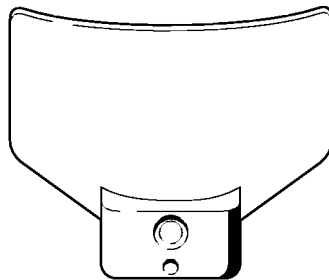


901SW100 GM

Hose 135 mm / 5 5/16"

| # | Part Number | Description | Quantity | Contains Item(s) | Remarks |
|---|---------------|-----------------------|----------|------------------|---------|
| | 1110 141 8600 | Hose 135 mm / 5 5/16" | 1 | | |

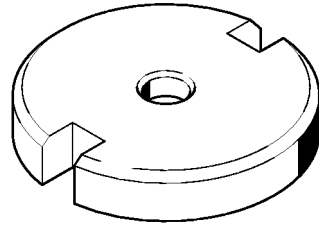
Setting gauge



901SW107 GM

Setting gauge

| # | Part Number | Description | Quantity | Contains Item(s) | Remarks |
|---|---------------|---------------|----------|------------------|---------|
| | 1111 890 6400 | Setting gauge | 1 | | |



901SW111 GM

Installing tool

| # | Part Number | Description | Quantity | Contains Item(s) | Remarks |
|---|---------------|-----------------|----------|------------------|---------|
| | 1116 893 4800 | Installing tool | 1 | | |

Assembly tube

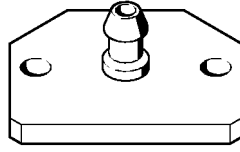


901SW112 GM

Assembly tube

| # | Part Number | Description | Quantity | Contains Item(s) | Remarks |
|---|---------------|---------------|----------|------------------|---------|
| | 1117 890 0900 | Assembly tube | 1 | | |

Test flange

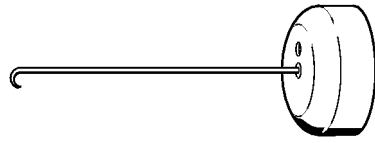


901SW117 GM

Test flange

| # | Part Number | Description | Quantity | Contains Item(s) | Remarks |
|---|---------------|-------------|----------|------------------|---------|
| | 1119 850 4201 | Test flange | 1 | | |

Assembly hook

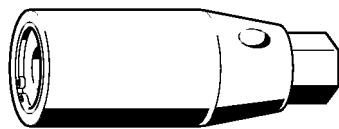


901SW205 GM

Assembly hook

| # | Part Number | Description | Quantity | Contains Item(s) | Remarks |
|---|---------------|---------------|----------|------------------|---------|
| | 5910 890 2800 | Assembly hook | 1 | | |

Stud puller, M8

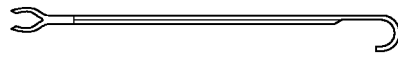


901SW209 GM

Stud puller, M8

| # | Part Number | Description | Quantity | Contains Item(s) | Remarks |
|---|---------------|-----------------|----------|------------------|---------|
| | 5910 893 0501 | Stud puller, M8 | 1 | | |

Assembly hook

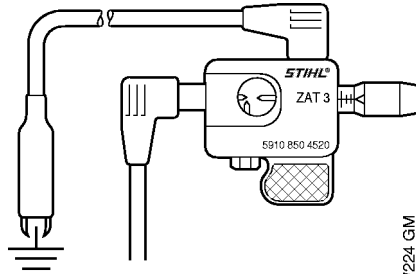


901SW221 GM

Assembly hook

| # | Part Number | Description | Quantity | Contains Item(s) | Remarks |
|---|---------------|---------------|----------|------------------|---------|
| | 5910 893 8800 | Assembly hook | 1 | | |

Ignition system tester, ZAT 3

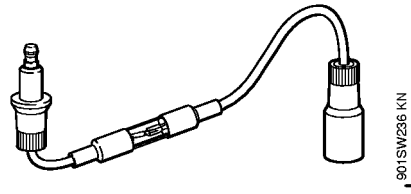


901 SW224 GM

Ignition system tester, ZAT 3

| # | Part Number | Description | Quantity | Contains Item(s) | Remarks |
|---|---------------|-------------------------------|----------|------------------|---------|
| | 5910 850 4520 | Ignition system tester, ZAT 3 | 1 | | |

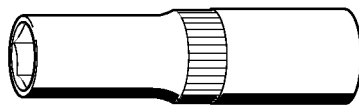
Ignition system tester, ZAT 4



Ignition system tester, ZAT 4

| # | Part Number | Description | Quantity | Contains Item(s) | Remarks |
|---|---------------|-------------------------------|----------|------------------|---------|
| | 5910 850 4503 | Ignition system tester, ZAT 4 | 1 | | |

Socket, 13 mm, long reach



901SW265 KN

Socket, 13 mm, long reach

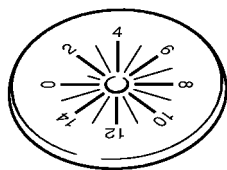
| # | Part Number | Description | Quantity | Contains Item(s) | Remarks |
|---|---------------|---------------------------|----------|------------------|---------|
| | 5910 893 2804 | Socket, 13 mm, long reach | 1 | | |

Locking strip

Locking strip

| # | Part Number | Description | Quantity | Contains Item(s) | Remarks |
|---|---------------|---------------|----------|------------------|---------|
| 1 | 0000 893 5903 | Locking strip | 1 | | |

Setting disk

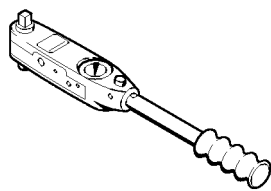


901SW287 KN

Setting disk

| # | Part Number | Description | Quantity | Contains Item(s) | Remarks |
|---|---------------|--------------|----------|------------------|---------|
| | 5910 893 6600 | Setting disk | 1 | | |

Torque wrench with optical/acoustic signal

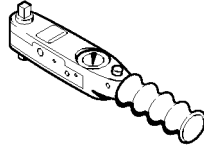


901SW290 KN

Torque wrench with optical/acoustic signal

| # | Part Number | Description | Quantity | Contains Item(s) | Remarks |
|---|---------------|--|----------|------------------|---------|
| | 5910 890 0312 | Torque wrench with optical/acoustic signal | 1 | | |

Torque wrench with optical/acoustic signal

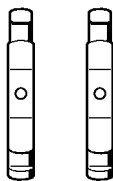


901SW292 KN

Torque wrench with optical/acoustic signal

| # | Part Number | Description | Quantity | Contains Item(s) | Remarks |
|---|---------------|--|----------|------------------|---------|
| | 5910 890 0302 | Torque wrench with optical/acoustic signal | 1 | | |

Jaw (profile No. 3.1 and 4)

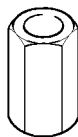


901 SW932 GIM

Jaw (profile No. 3.1 and 4)

| # | Part Number | Description | Quantity | Contains Item(s) | Remarks |
|---|---------------|-----------------------------|----------|------------------|---------|
| | 0000 893 3706 | Jaw (profile No. 3.1 and 4) | 1 | | |

Screw sleeve

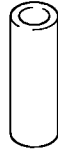


901 SW338 CIM

Screw sleeve

| # | Part Number | Description | Quantity | Contains Item(s) | Remarks |
|---|---------------|--------------|----------|------------------|---------|
| | 5910 893 2420 | Screw sleeve | 1 | | |

Sleeve

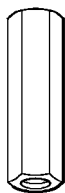


901SW841 GIM

Sleeve

| # | Part Number | Description | Quantity | Contains Item(s) | Remarks |
|---|---------------|-------------|----------|------------------|---------|
| | 5910 893 1701 | Sleeve | 1 | | |

Screw sleeve



901 SW948 CIM

Screw sleeve

| # | Part Number | Description | Quantity | Contains Item(s) | Remarks |
|---|---------------|--------------|----------|------------------|---------|
| | 5910 893 2409 | Screw sleeve | 1 | | |

Plug

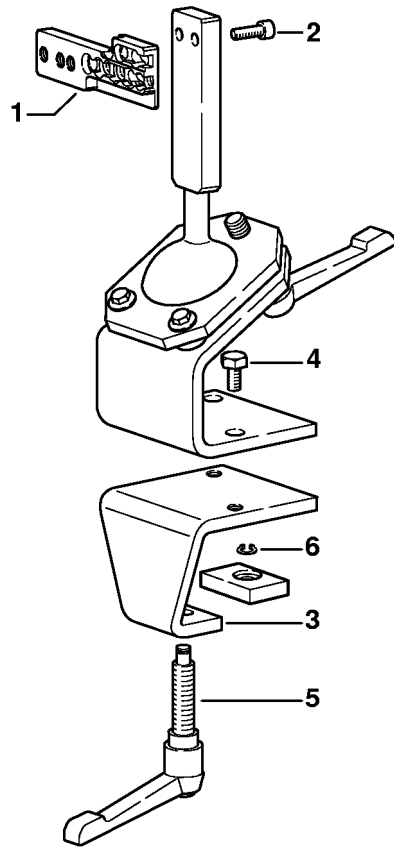


901SW357 GM

Plug

| # | Part Number | Description | Quantity | Contains Item(s) | Remarks |
|---|---------------|-------------|----------|------------------|---------|
| | 1122 025 2200 | Plug | 1 | | |

Assembly stand

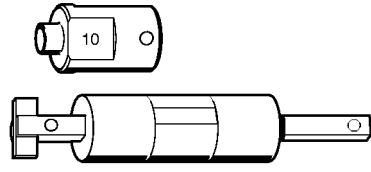


9015W363 SC

Assembly stand

| # | Part Number | Description | Quantity | Contains Item(s) | Remarks |
|---|---------------|---------------------------|----------|------------------|---------|
| | 5910 890 3101 | Assembly stand | 1 | 1 - 6 | |
| 1 | 5910 850 1651 | Support | 1 | | |
| 2 | 9045 319 2390 | Socket head screw M10x25 | 2 | | |
| 3 | 5910 850 2100 | Clamping plate | 1 | 4 - 6 | |
| 4 | 9008 319 2930 | Hexagon head screw M12x20 | 2 | | |
| 5 | 5910 890 1901 | Clamp lever | 1 | | |
| 6 | 9455 621 0850 | Circlip 10x1 | 1 | | |

Installing tool, 10

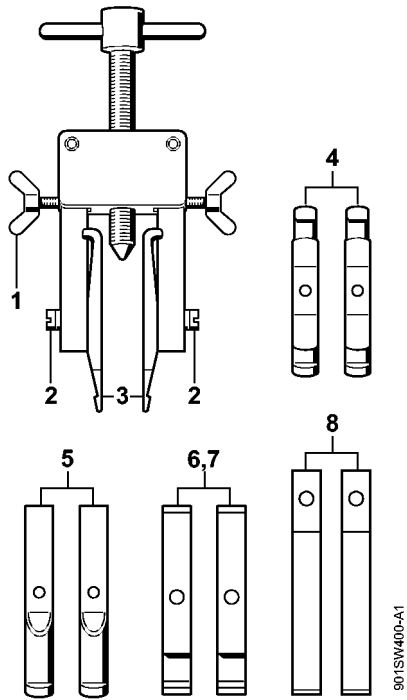


901SW369 KN

Installing tool, 10

| # | Part Number | Description | Quantity | Contains Item(s) | Remarks |
|---|---------------|---------------------|----------|------------------|---------|
| | 5910 890 2210 | Installing tool, 10 | 1 | | |
| | 5910 893 1707 | Sleeve | 1 | | |

Puller

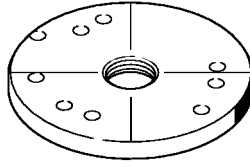


901SW400-A1

Puller

| # | Part Number | Description | Quantity | Contains Item(s) | Remarks |
|----------|---------------|-----------------------------|----------|------------------|---------|
| | 5910 890 4400 | Puller | 1 | 1 - 8 | |
| 1 | 9157 691 0980 | Wing screw M5x16 | 2 | | |
| 2 | 9044 319 0980 | Pan head screw M5x16 | 2 | | |
| 3 | 0000 893 3700 | Jaw (profile No. 1 and 2) | 2 | | |
| 4 | 0000 893 3706 | Jaw (profile No. 3.1 and 4) | 2 | | |
| 5 | 0000 893 3711 | Jaw (profile No. 6) | 2 | | |
| 6 | 0000 893 3703 | Jaw (profile No. 7) | 2 | | |
| 7 | 0000 893 3704 | Jaw (profile No. 8) | 2 | | |
| 8 | 0000 893 3707 | Jaw (profile No. 9) | 2 | | |

Drilled plate

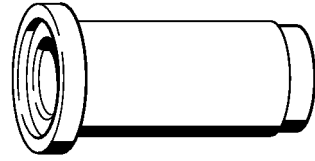


901SW408 KN

Drilled plate

| # | Part Number | Description | Quantity | Contains Item(s) | Remarks |
|---|---------------|---------------|----------|------------------|---------|
| | 5910 893 2103 | Drilled plate | 1 | | |

Press sleeve

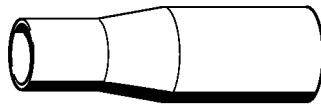


901SW429 KN

Press sleeve

| # | Part Number | Description | Quantity | Contains Item(s) | Remarks |
|---|---------------|--------------|----------|------------------|---------|
| | 1141 893 2400 | Press sleeve | 1 | | |

Installing sleeve

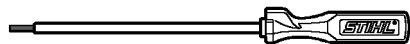


901SW431 KN

Installing sleeve

| # | Part Number | Description | Quantity | Contains Item(s) | Remarks |
|---|---------------|-------------------|----------|------------------|---------|
| | 1141 893 4600 | Installing sleeve | 1 | | |

Screwdriver

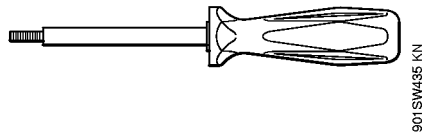


901SW634 KN

Screwdriver

| # | Part Number | Description | Quantity | Contains Item(s) | Remarks |
|---|---------------|-------------|----------|------------------|---------|
| | 5910 890 2306 | Screwdriver | 1 | | |

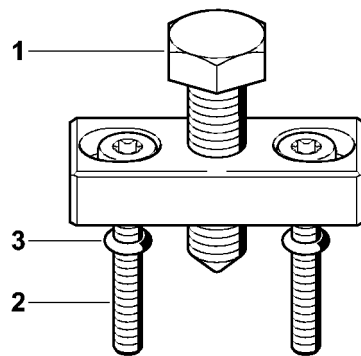
Puller



Puller

| # | Part Number | Description | Quantity | Contains Item(s) | Remarks |
|---|---------------|-------------|----------|------------------|---------|
| | 5910 890 4502 | Puller | 1 | | |

Puller

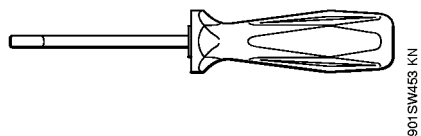


901 SW448 GM

Puller

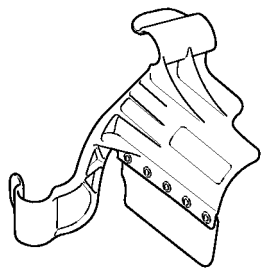
| # | Part Number | Description | Quantity | Contains Item(s) | Remarks |
|----------|---------------|-----------------------|----------|------------------|---------|
| | 5910 890 4504 | Puller | 1 | | |
| 1 | 0000 951 0900 | Hexagon head screw | 1 | | |
| 2 | 9022 341 1080 | Spline screw IS-M5x35 | 2 | | |
| 3 | 9646 945 0160 | O-ring 4x2 | 2 | | |

Punchdown tool



Punchdown tool

| # | Part Number | Description | Quantity | Contains Item(s) | Remarks |
|---|---------------|----------------|----------|------------------|---------|
| | 5910 890 4000 | Punchdown tool | 1 | | |

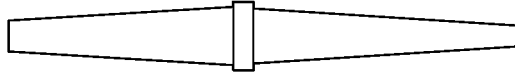


901SW484 GM

Cover

| # | Part Number | Description | Quantity | Contains Item(s) | Remarks |
|---|---------------|-------------|----------|------------------|---------|
| | 5910 890 3200 | Cover | 1 | | |

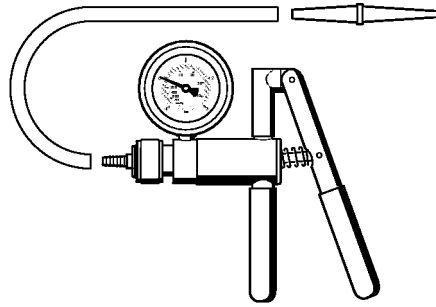
Nipple



901SW496 GM

Nipple

| # | Part Number | Description | Quantity | Contains Item(s) | Remarks |
|---|---------------|-------------|----------|------------------|---------|
| | 0000 855 9201 | Nipple | 1 | | |

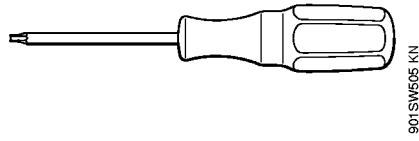


901 SW486 GM

Pump

| # | Part Number | Description | Quantity | Contains Item(s) | Remarks |
|---|---------------|-------------|----------|------------------|---------|
| | 0000 850 1300 | Pump | 1 | | |
| | 0000 855 9201 | Nipple | 1 | | |
| | 0000 855 0100 | Hose | 1 | | |

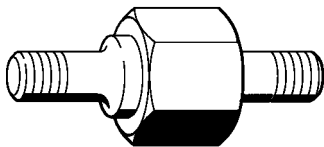
Screwdriver, T8



Screwdriver, T8

| # | Part Number | Description | Quantity | Contains Item(s) | Remarks |
|---|---------------|-----------------|----------|------------------|---------|
| | 5910 890 2310 | Screwdriver, T8 | 1 | | |

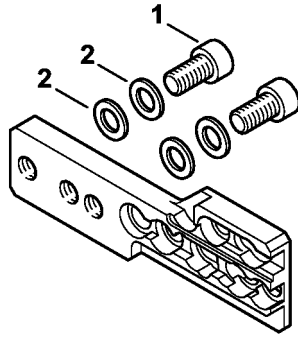
Collar screw



901SW521 KN

Collar screw

| # | Part Number | Description | Quantity | Contains Item(s) | Remarks |
|---|---------------|--------------|----------|------------------|---------|
| | 5910 893 9600 | Collar screw | 1 | | |
| | 5910 893 9601 | Collar screw | 1 | | |

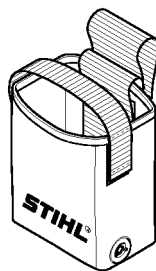


9015W547 SC

Support

| # | Part Number | Description | Quantity | Contains Item(s) | Remarks |
|----------|---------------|--------------------------|----------|------------------|---------|
| | 5910 850 1651 | Support | 1 | 1, 2 | |
| 1 | 9045 319 2390 | Socket head screw M10x25 | 2 | | |
| 2 | 9291 021 3870 | Washer 10.5x20x1.5 | 4 | | |

Adapter, battery-to-analyzer AAD 1

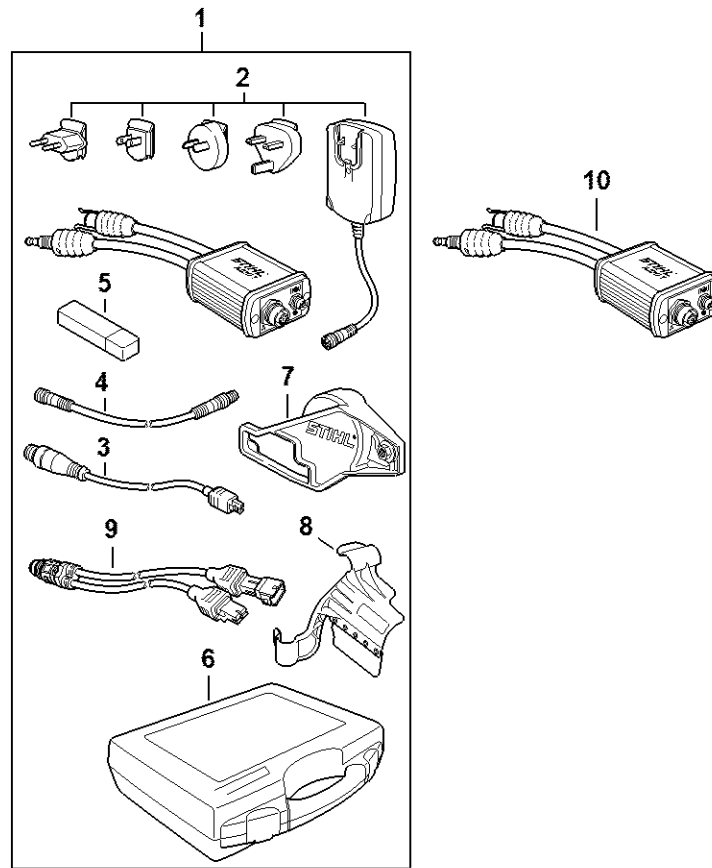


901SW657 SC

Adapter, battery-to-analyzer AAD 1

| # | Part Number | Description | Quantity | Contains Item(s) | Remarks |
|---|---------------|------------------------------------|----------|------------------|---------|
| | 5910 840 2300 | Adapter, battery-to-analyzer AAD 1 | 1 | | |

Diagnostic unit MDG 1

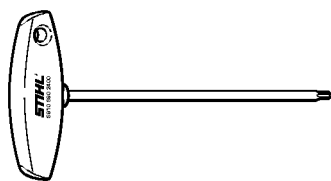


591D-GSW-0010-A4

Diagnostic unit MDG 1

| # | Part Number | Description | Quantity | Contains Item(s) | Remarks |
|---|---------------|--------------------------|----------|------------------|---------|
| 1 | 5910 840 0210 | Diagnostic unit MDG 1 | 1 | 2 - 9 | |
| 2 | 5910 840 1400 | Power supply | 1 | | |
| 3 | 5910 840 0408 | Diagnosis cable M-Tronic | 1 | | |
| 4 | 5910 440 2000 | Connecting cable | 1 | | |
| 5 | 5910 840 1501 | Bluetooth USB stick | 1 | | |
| 6 | 5910 900 4102 | Case | 1 | | |
| 7 | 5910 890 3201 | Cover | 1 | | |
| 8 | 5910 890 3200 | Cover | 1 | | |
| 9 | 5910 840 0405 | Diagnosis cable | 1 | | |

Screwdriver, T27x150

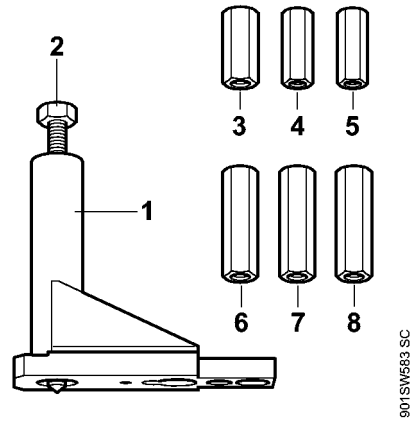


901SW575 KN

Screwdriver, T27x150

| # | Part Number | Description | Quantity | Contains Item(s) | Remarks |
|---|---------------|----------------------|----------|------------------|---------|
| | 5910 890 2400 | Screwdriver, T27x150 | 1 | | |

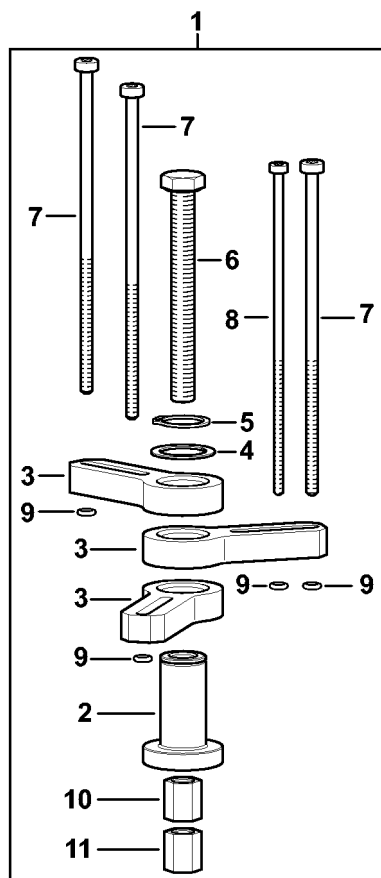
Service tool AS



Service tool AS

| # | Part Number | Description | Quantity | Contains Item(s) | Remarks |
|---|---------------|-----------------|----------|------------------|---------|
| | 5910 007 2222 | Service tool AS | 1 | 1 - 8 | |
| 1 | 5910 890 2222 | Service tool AS | 1 | 2 | |
| 2 | 5910 893 8500 | Spindle AS | 1 | | |
| 3 | 5910 893 2405 | Screw sleeve | 1 | | |
| 4 | 5910 893 2406 | Screw sleeve | 1 | | |
| 5 | 5910 893 2407 | Screw sleeve | 1 | | |
| 6 | 5910 893 2408 | Screw sleeve | 1 | | |
| 7 | 5910 893 2409 | Screw sleeve | 1 | | |
| 8 | 5910 893 2202 | Screw sleeve | 1 | | |

Puller

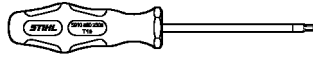


5910-GE1-009-A1

Puller

| # | Part Number | Description | Quantity | Contains Item(s) | Remarks |
|----|---------------|---|----------|------------------|---------|
| 1 | 5910 890 4505 | Puller | 1 | 2 - 11 | |
| 2 | 5910 893 1712 | Sleeve | 1 | | |
| 3 | 5910 895 0700 | Extension arm | 3 | | |
| 4 | 0000 958 0206 | Washer | 1 | | |
| 5 | 9455 621 2150 | Circlip 20x1.2 | 1 | | |
| 6 | 9010 346 2545 | Hexagon head screw DIN933-M10x1x95-10.9 | 1 | | |
| 7 | 9022 346 1200 | Spline screw IS-M5x145x60-10.9 | 3 | | |
| 8 | 9022 346 0852 | Spline screw IS-M4x145x60-10.9 | 1 | | |
| 9 | 9646 945 0160 | O-ring 4x2 | 4 | | |
| 10 | 5910 895 0900 | Guide piece D8 | 1 | | |
| 11 | 5910 895 0901 | Guide piece D10 | 1 | | |

Screwdriver, T10

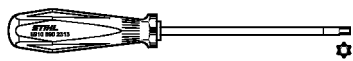


901SW687 SC

Screwdriver, T10

| # | Part Number | Description | Quantity | Contains Item(s) | Remarks |
|---|---------------|------------------|----------|------------------|---------|
| | 5910 890 2308 | Screwdriver, T10 | 1 | | |

Screwdriver, T10

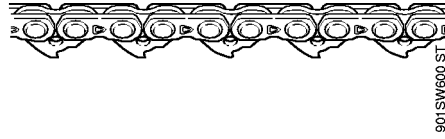


901SW691 SC

Screwdriver, T10

| # | Part Number | Description | Quantity | Contains Item(s) | Remarks |
|---|---------------|------------------|----------|------------------|---------|
| | 5910 890 2313 | Screwdriver, T10 | 1 | | |

Chain without cutters .325" 1.3 (40 cm / 16")



Chain without cutters .325" 1.3 (40 cm / 16")

| # | Part Number | Description | Quantity | Contains Item(s) | Remarks |
|---|---------------|---|----------|------------------|---------|
| | 3111 000 0067 | Chain without cutters .325" 1.3 (40 cm / 16") | 1 | | |

Socket, 8 mm, long reach

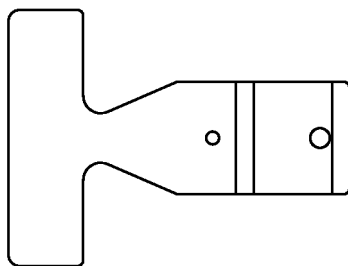


901SW604 SC

Socket, 8 mm, long reach

| # | Part Number | Description | Quantity | Contains Item(s) | Remarks |
|---|---------------|--------------------------|----------|------------------|---------|
| 1 | 5910 893 2807 | Socket, 8 mm, long reach | 1 | | |

Setting gauge

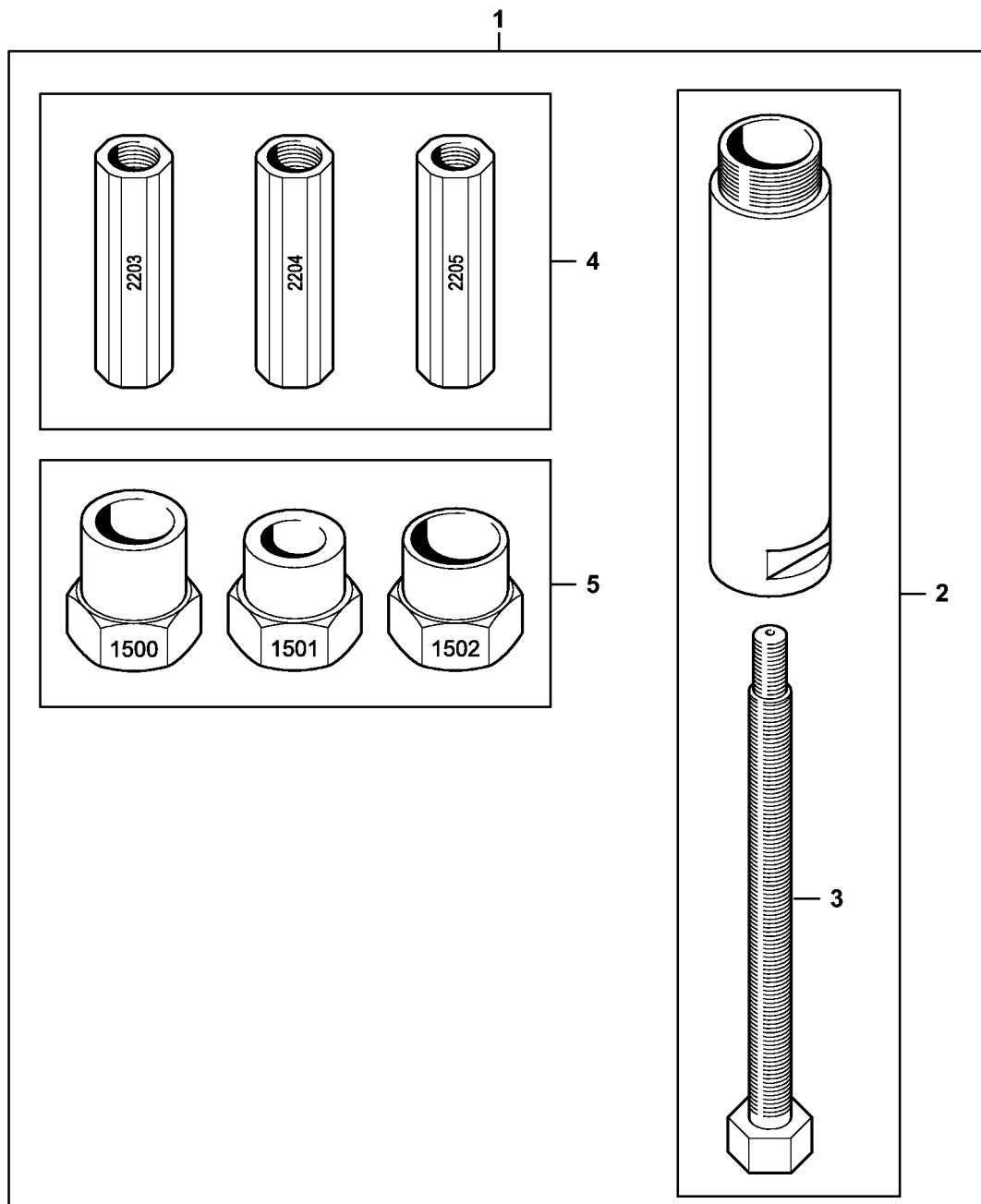


901SW605 SC

Setting gauge

| # | Part Number | Description | Quantity | Contains Item(s) | Remarks |
|---|---------------|---------------|----------|------------------|---------|
| | 0000 890 6401 | Setting gauge | 1 | | |

Installing tool AS

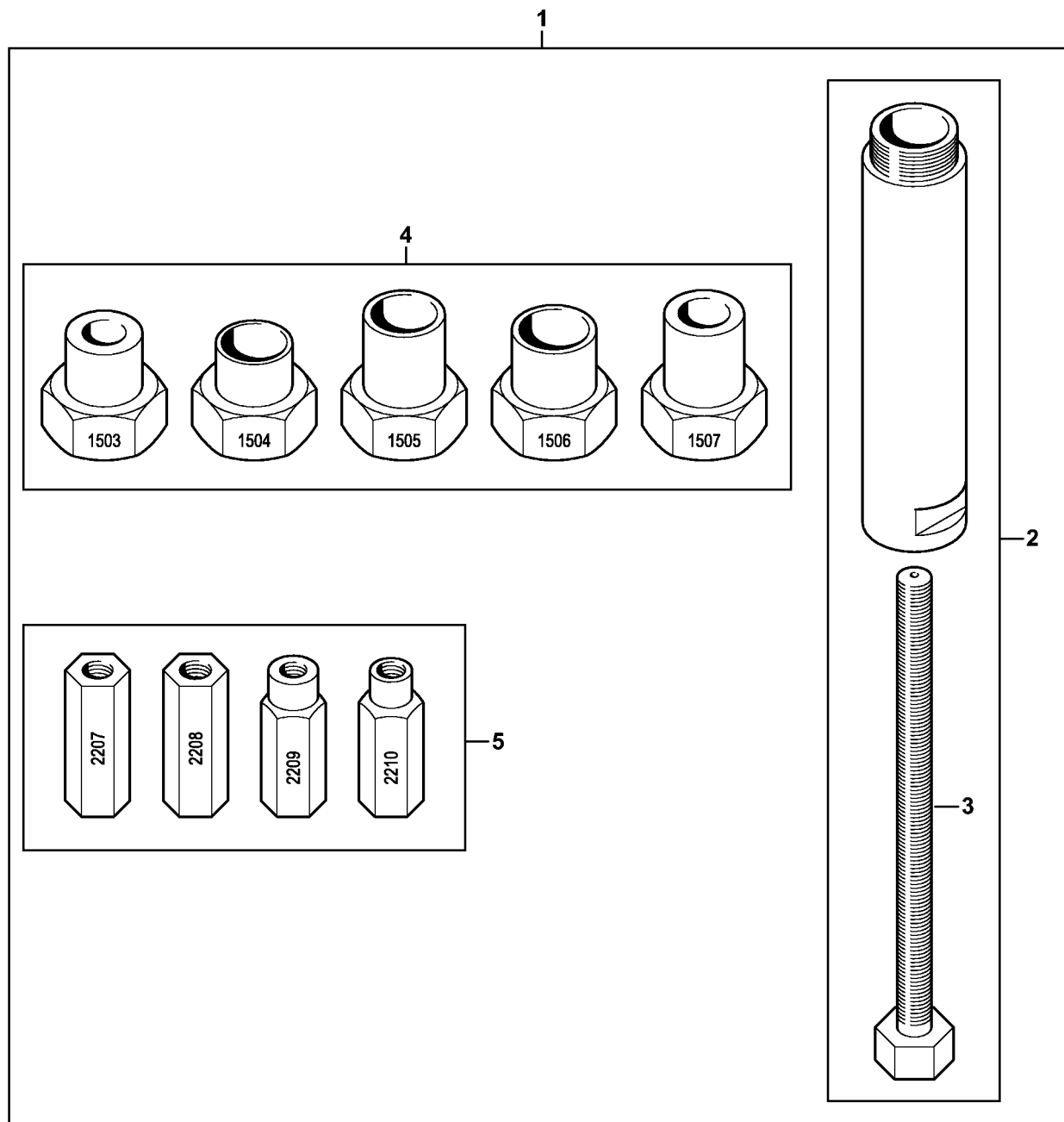


9510-GET-0129-A0

Installing tool AS

| # | Part Number | Description | Quantity | Contains Item(s) | Remarks |
|---|---------------|-------------------------|----------|------------------|---|
| 1 | 5910 850 5220 | Installing tool AS | 1 | 2 - 5 | http://stihl.com/sxyRs8 |
| 2 | 5910 890 8401 | Spindle AS | 1 | 3 | |
| 3 | 5910 893 8503 | Spindle M8x1-LH AS | 1 | | |
| 4 | 5910 007 1009 | Set of screw sleeves AS | 1 | | |
| 5 | 5910 007 1007 | Adapter kit AS | 1 | | |

Installing tool LS



9510-GET-0130-A0

Installing tool LS

| # | Part Number | Description | Quantity | Contains Item(s) | Remarks |
|---|---------------|-------------------------|----------|------------------|---|
| 1 | 5910 850 5221 | Installing tool LS | 1 | 2 - 5 | http://stihl.com/sxyRs8 |
| 2 | 5910 890 8402 | Spindle LS | 1 | 3 | |
| 3 | 5910 893 8504 | Spindle M8x1 LS | 1 | | |
| 4 | 5910 007 1010 | Set of screw sleeves LS | 1 | | |
| 5 | 5910 007 1008 | Adapter kit LS | 1 | | |