

MS 201 TC-M

Spare Parts List

02/01/2022

United Kingdom, English

STIHL M-Tronic

Tophandle

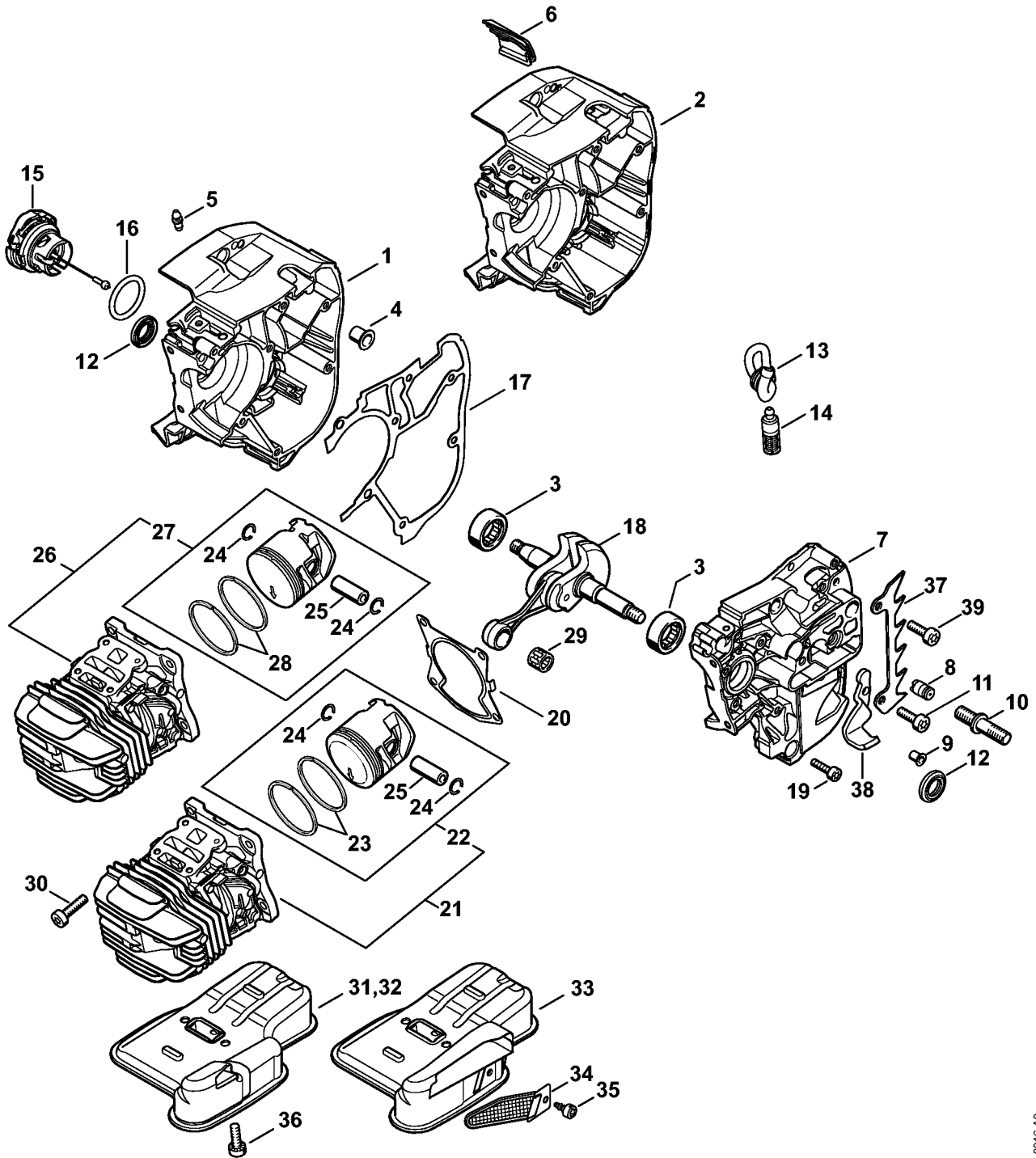
Contents

Crankcase, Cylinder, Muffler	3	Setting gauge	58
Oil pump, Clutch	6	Assembly tube	60
Tank housing	9	Installing tool, 9	62
Chain sprocket cover, Hand guard	11	Assembly hook	64
Ignition system	13	Stud puller, M8	66
Rewind starter	15	Socket, 13 mm	68
Handle housing, Handlebar M-Tronic	17	Assembly hook	70
Air filter, Carburetor box cover M-Tronic	19	Ignition system tester, ZAT 3	72
Carburetor 1145/22, 1145/27, C1Q-S274	21	Ignition system tester, ZAT 4	74
Tools, Extras	24	Setting disk	76
Serial number	26	Torque wrench with optical/acoustic signal	78
Smart Connector	28	Torque wrench	80
Tightening torques	30	Torque wrench with optical/acoustic signal	82
Tightening torques	32	Torque wrench	84
Miscellaneous lubricants and greases	34	Jaw (profile No. 3.1 and 4)	86
Cleaning products	36	Assembly stand	88
Nipple	38	Tachometer EDT 9	90
Installing tool	40	Puller	92
Clamping strap	42	Flange	94
Wooden assembly block	44	Screwdriver	96
Assembly drift	46	Puller	98
Press sleeve	48	Puller	100
Sealing plate	50	Punchdown tool	102
Socket, T20x125	52	Installing sleeve	104
Socket, T27x125	54	Locking strip	106
Hose 135 mm / 5 5/16"	56	Flange	108

Contents

Cover	110
Nipple	112
Pump	114
Screwdriver, T8	116
Collar screw	118
Support	120
Adapter, battery-to-analyzer AAD 1	122
Diagnostic unit MDG 1	124
Screwdriver, T27x150	126
Service tool AS	128
Screwdriver, T10	130
Screwdriver, T20	132
Screwdriver, T27x150	134
Socket, T20x140	136
Chain without cutters 3/8" P 1.1 (30 cm / 12")	138
Setting gauge	140

Crankcase, Cylinder, Muffler



1145-GET-0016-A0

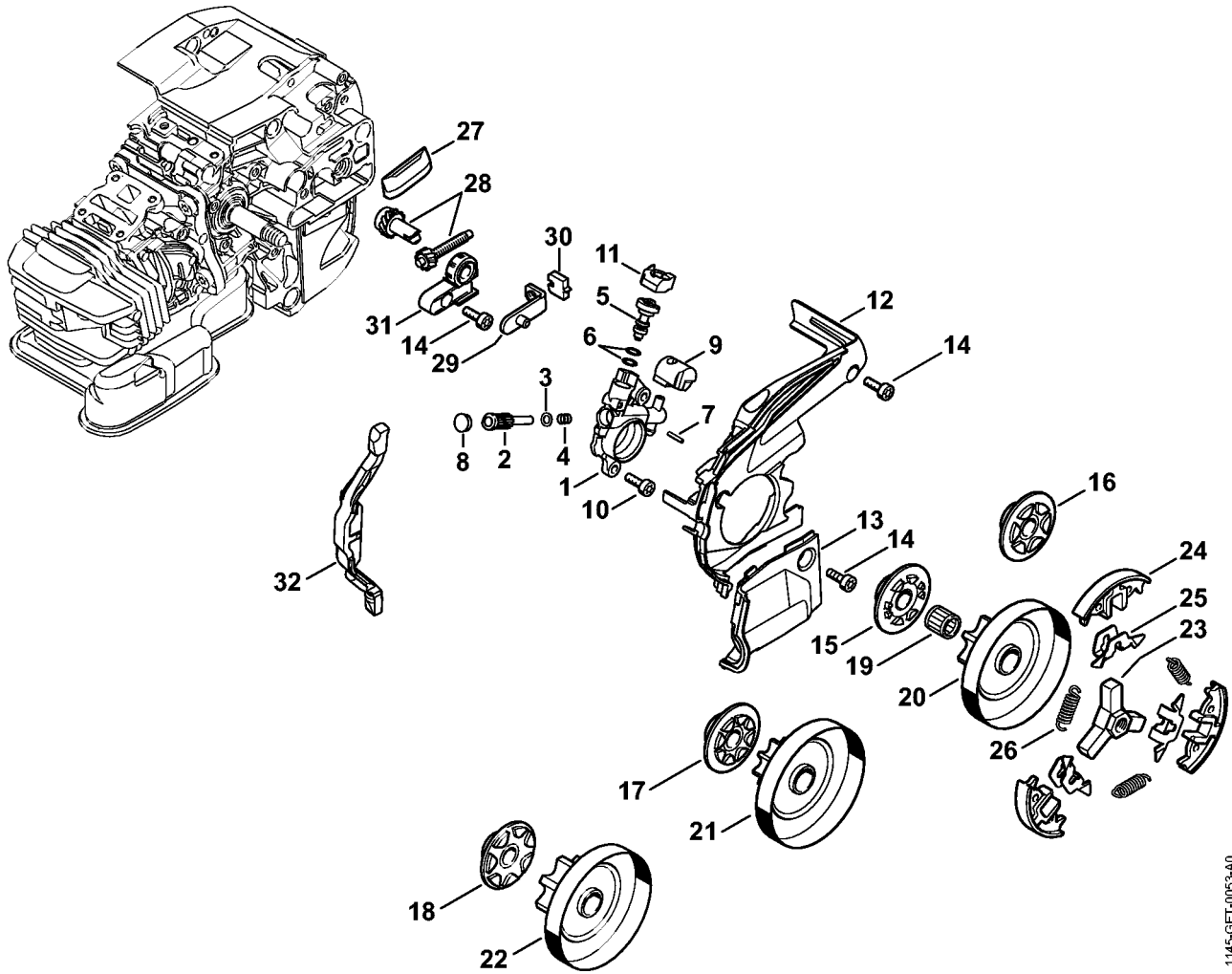
Crankcase, Cylinder, Muffler

#	Part Number	Description	Quantity	Contains Item(s)	Remarks
2	1145 020 2603	Crankcase, fan side	1	3 - 5, 12	
3	9531 003 0105	Roller bearing 12x24.5x8.8	2		
4	1129 792 5500	Bushing	1		
5	0000 988 5218	Connector	1		
6	1145 021 1701	Cover	1		
7	1145 020 2902	Crankcase	1	3, 8 - 12	
8	1128 640 9100	Valve	1		
9	9416 868 5631	Hollow rivet 5.5x0.5x6.8	1		
10	1143 664 2400	Collar screw M8	1		
11	1143 664 2402	Collar screw M5	1		
12	9640 003 1180	Oil seal 12x20x4	2		
13	1129 647 9400	Hose	1		
14	1123 640 3800	Pickup body	1		
15	0000 350 0536	Filler cap	1	16	
16	9645 948 2470	O-ring 23x3	1		
17	1145 029 0500	Gasket	1		
18	1145 030 0400	Crankshaft	1		
19	9022 313 0680	Pan head screw IS M4x16	7		
20	1145 029 2302	Cylinder gasket	1		
24	9463 650 0900	Snap ring 9x0.8	2		
25	1145 034 1501	Piston pin 9x5.6x23	1		
26	1145 020 1200	Cylinder with piston Ø 40 mm	1	24, 25, 27, 28	
27	1145 030 2001	Piston Ø 40 mm	1	24, 25, 28	
28	4147 034 3003	Piston ring Ø 40x1.2 mm	2		
29	9512 003 2032	Needle cage 9x12x10	1		
30	9022 371 1020	Spline screw IS-M5x20	4		
32	1145 140 0601	Muffler	1		

Crankcase, Cylinder, Muffler

#	Part Number	Description	Quantity	Contains Item(s)	Remarks
36	9022 341 0983	Spline screw IS-M5x16	2		
37	1129 664 0500	Bumper spike	1		
38	1145 656 7700	Chain catcher	1		
39	9022 341 0980	Spline screw IS-M5x16	2		
	1145 007 1601	Set of gaskets	1	12, 17, 20	

Oil pump, Clutch



1145-GET-0053-A0

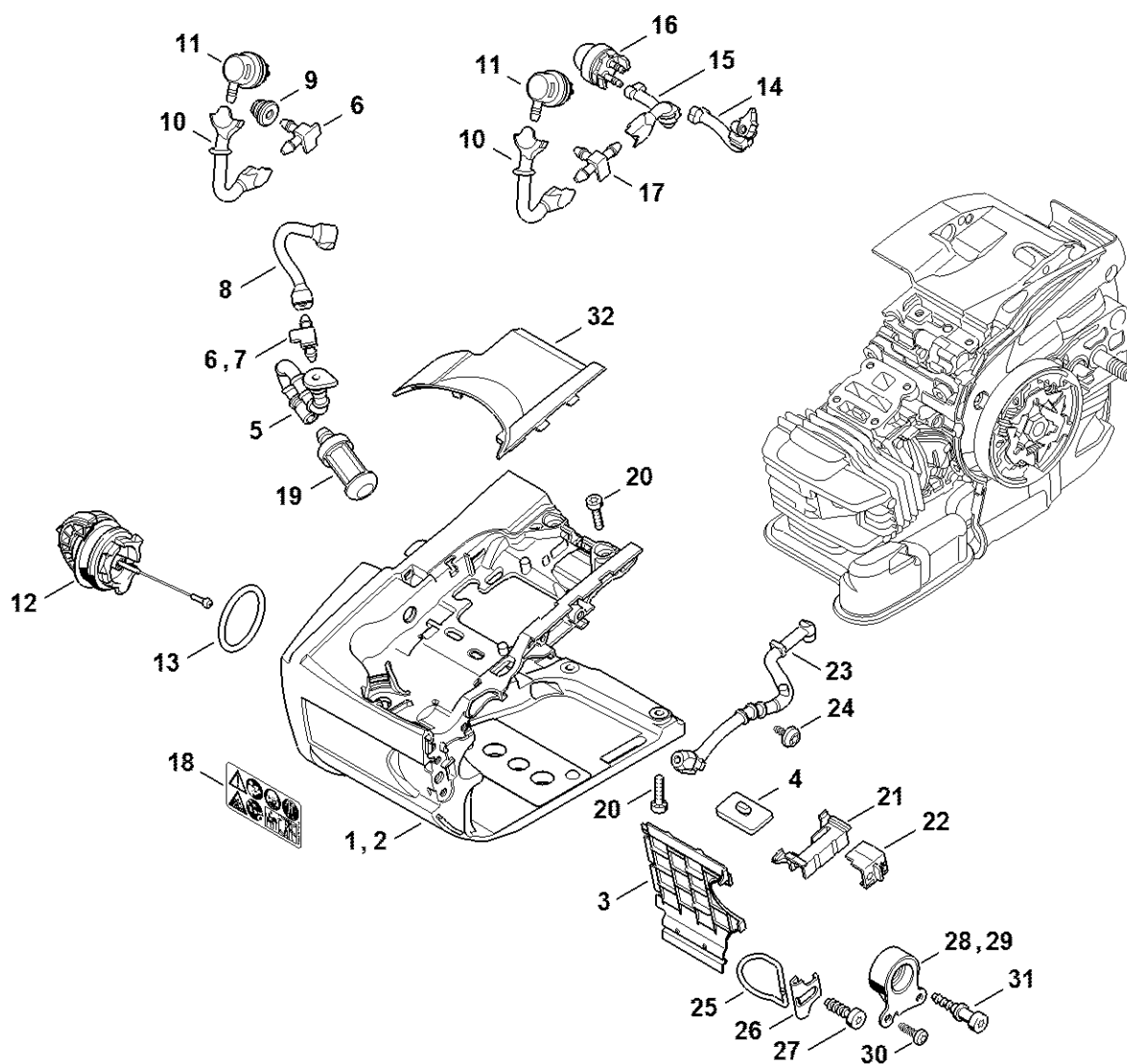
Oil pump, Clutch

#	Part Number	Description	Quantity	Contains Item(s)	Remarks
1	1145 640 3200	Oil pump	1	2 - 9	
2	1129 647 0600	Pump piston	1		
3	0000 958 0407	Washer	1		
4	0000 997 0617	Compression spring	1		
5	1145 647 4800	Control bolt	1		
6	9646 945 0160	O-ring 4x2	2		
7	9380 620 1090	Roll pin 2x10	1		
8	1129 647 7000	Plug	1		
9	1129 647 5701	Connector	1		
10	9022 346 0658	Spline screw IS-M4x12	2		
11	1145 647 9100	Grommet	1		
12	1145 021 1100	Cover	1		
13	1145 021 1102	Cover	1		
14	9022 313 0660	Spline screw IS-M4x12	4		
15	1146 640 7102	Worm gear 1/4"Picco / 3/8"Picco	1		
19	9512 933 2270	Needle cage 10x13x13	1		
20	1145 640 2010	Chain sprocket 3/8" Picco 6T	1	32	
21	1145 640 2050	Set of spur sprocket/worm 3/8" Picco 7T	1	17, 32	
	1145 640 2051	Set of spur sprocket/worm 1/4" 8T	1	18, 22, 32	
22	1145 640 2011	Chain sprocket 1/4" 8T	1	32	
23	1137 160 2001	Clutch	1	24 - 26	
24	1137 162 0800	Clutch shoe	3		
25	1121 162 3000	Retainer	3		
26	0000 997 5605	Tension spring	3		
27	1123 648 6600	Bumper strip	2		
28	1129 007 1000	Spur gear / chain adjusting screw kit	1		
29	1129 640 1900	Tensioner slide	1		

Oil pump, Clutch

#	Part Number	Description	Quantity	Contains Item(s)	Remarks
30	1123 664 1400	Thrust pad	1		
31	1123 664 2200	Cover	1		
32	1145 893 5900	Locking strip	1		

Tank housing

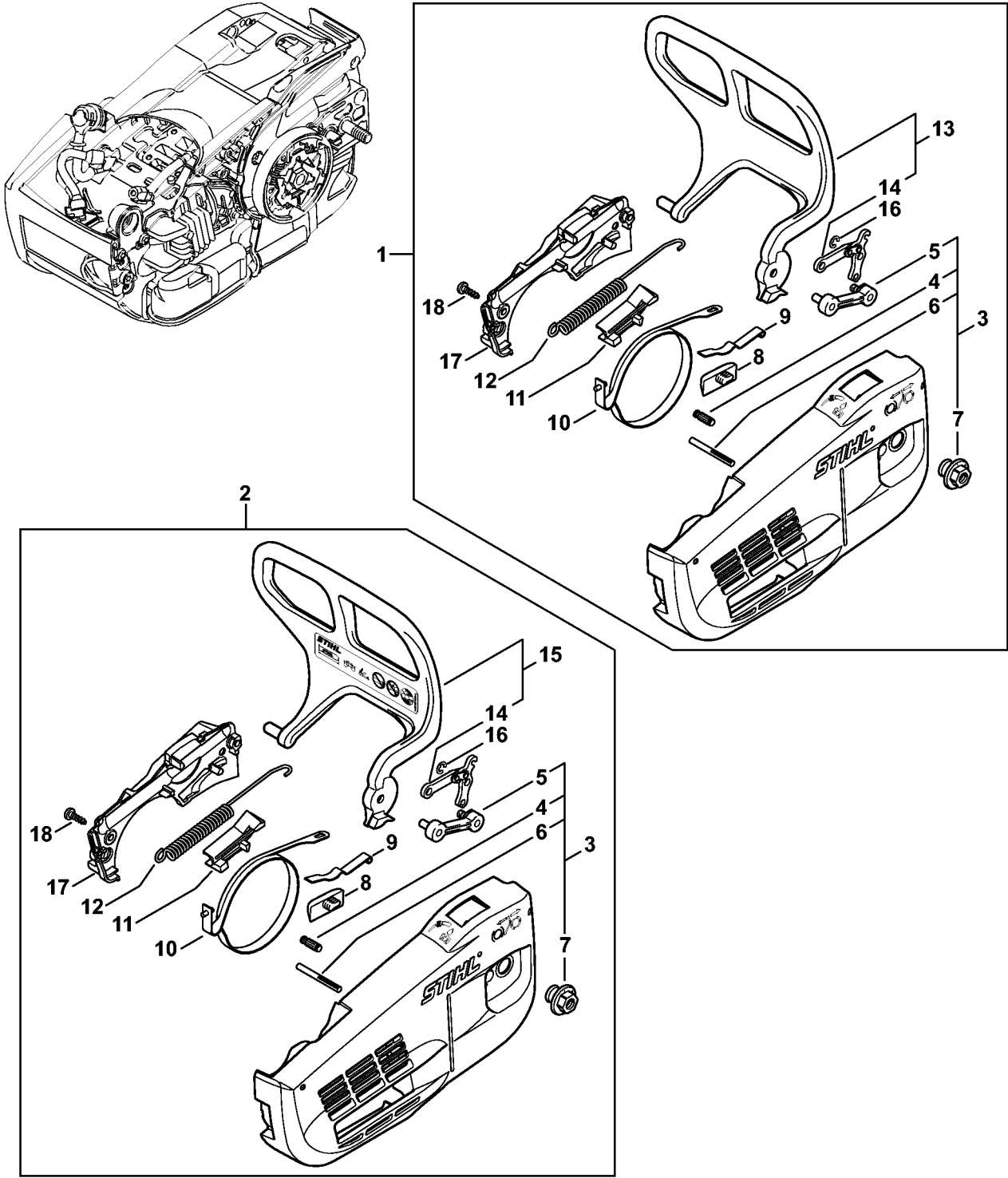


1145 GET 0055 A1

Tank housing

#	Part Number	Description	Quantity	Contains Item(s)	Remarks
1	1145 350 0811	Tank housing	1	3 - 6, 8 - 13, 18, 19	
3	1145 351 4000	Insulating plate	1		
4	1129 352 5500	Clamp	1		
5	1141 358 7708	Hose	1		
6	1145 122 3900	Elbow connector	2		
8	1145 358 7704	Hose	1		
9	1141 989 0600	Grommet	1		
10	1145 358 7706	Hose	1		
11	0000 350 5802	Tank vent	1		
12	0000 350 0534	Filler cap	1	13	
13	9645 948 7734	O-ring 25x3.5	1		
18	0000 967 7280	Warning pictogram	1		
19	0000 350 3522	Pickup body	1		
20	9022 313 0680	Pan head screw IS M4x16	4		
21	1145 793 3000	Slide	1		
22	1145 793 3002	Slide	1		
23	1145 141 8600	Hose	1		
24	9104 003 2960	Self-tapping screw P4x10	1		
25	1129 352 5000	Loop	1		
26	1129 352 7700	Bracket	1		
27	9074 478 4435	Pan head self-tapping screw IS-P6x19	1		
29	1145 790 9903	Annular buffer	1		
30	9104 003 3004	Self-tapping screw P4x14	2		
31	1129 791 6100	Screw	1		
32	1145 352 3000	Cover	1		

Chain sprocket cover, Hand guard

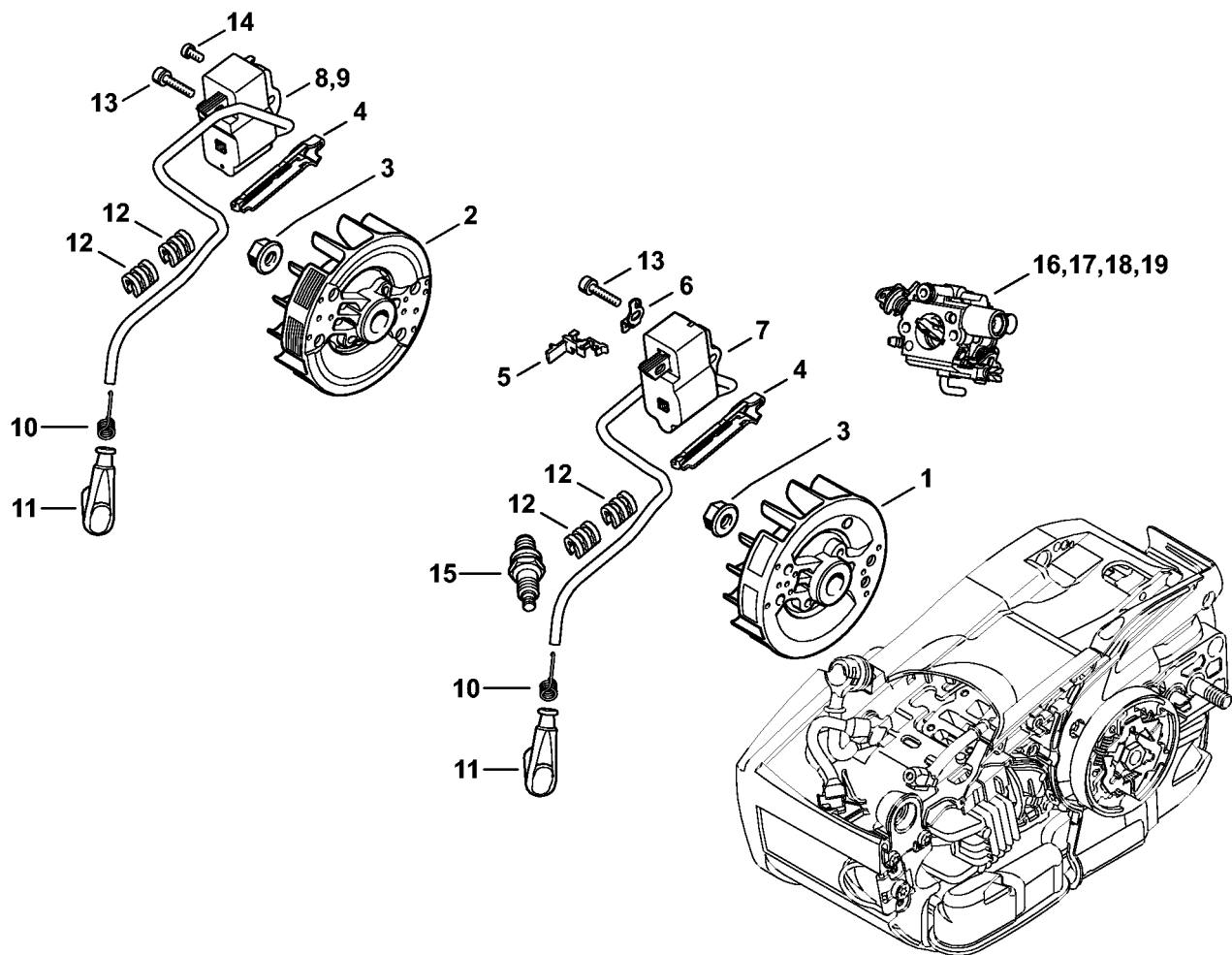


1145-GET-0012-A0

Chain sprocket cover, Hand guard

#	Part Number	Description	Quantity	Contains Item(s)	Remarks
1	1145 640 1700	Chain sprocket cover	1	3 - 14	
3	1145 640 1704	Chain sprocket cover	1	4 - 7	
4	1120 162 5200	Pin	1		
5	1129 640 5000	Insert	1		
6	9378 543 2220	Notched pin 4x40	1		
7	0000 995 0800	Collar nut M8	1		
8	1123 648 6600	Bumper strip	1		
9	1129 162 7800	Flat spring	1		
10	1145 160 5400	Brake band	1		
11	1145 162 6600	Limit stop	1		
12	1145 162 7900	Tension spring	1		
13	1145 790 9100	Hand guard	1	14	
14	1128 160 5000	Lever	1		
16	9460 624 0400	E-clip 4	1		
17	1145 648 7700	Cover	1		
18	9104 003 3004	Self-tapping screw P4x14	2		

Ignition system

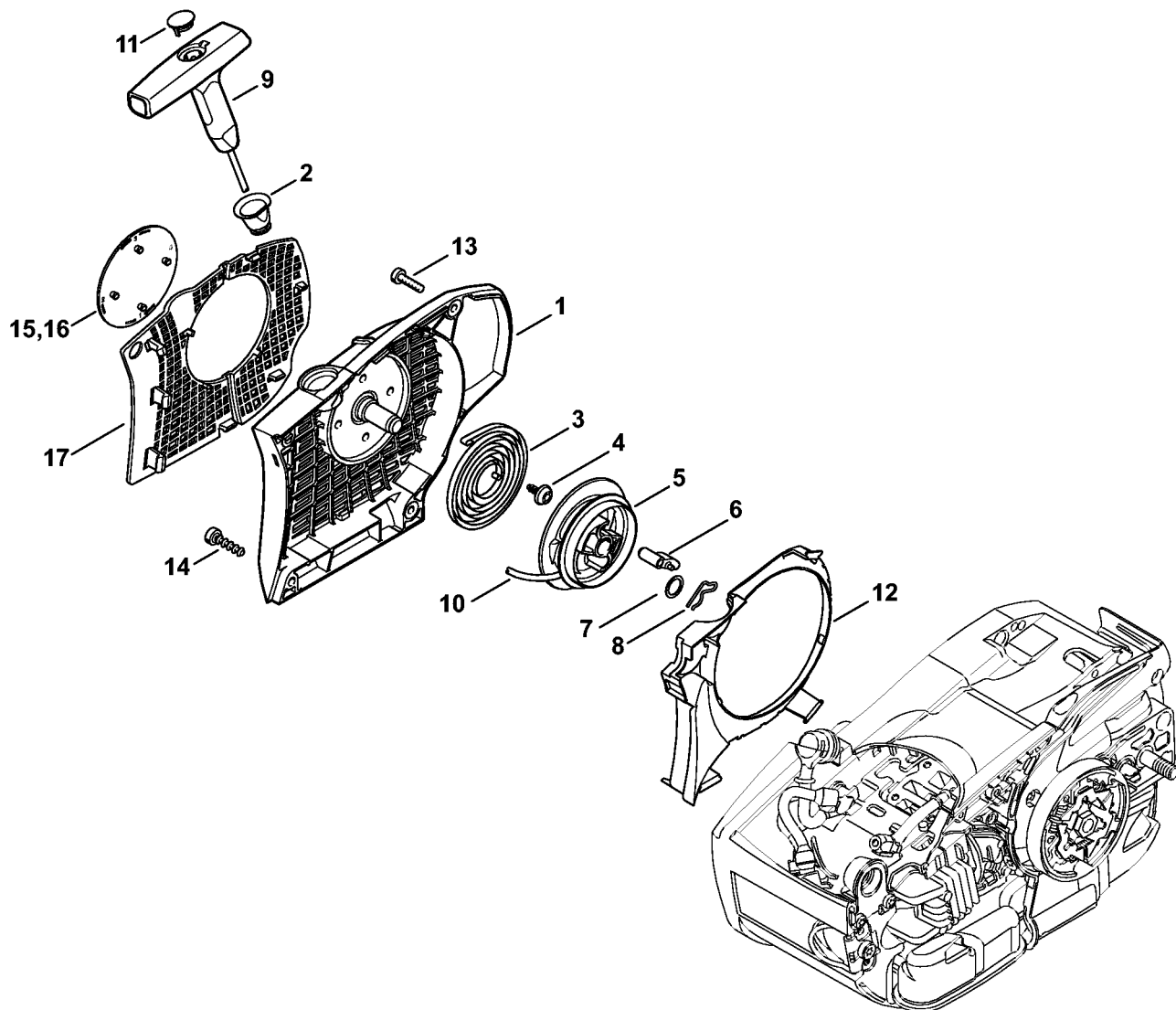


1145-GET-0021-A0

Ignition system

#	Part Number	Description	Quantity	Contains Item(s)	Remarks
2	1145 400 1201	Flywheel	1		
3	0000 955 0802	Collar nut M8x1	1		
4	1145 021 1700	Cover	1		
9	1145 400 4702	Control unit	1	10 - 12	
10	0000 998 0604	Spark plug contact spring	1		
11	0000 405 1007	Spark plug boot	1		
12	1130 448 1201	Lead retainer	2		
13	9022 341 0710	Spline screw IS-M4x20	2		
14	9022 313 0633	Spline screw IS-M4x8	1		
15	0000 400 7011	Spark plug NGK CMR6H	1		

Rewind starter

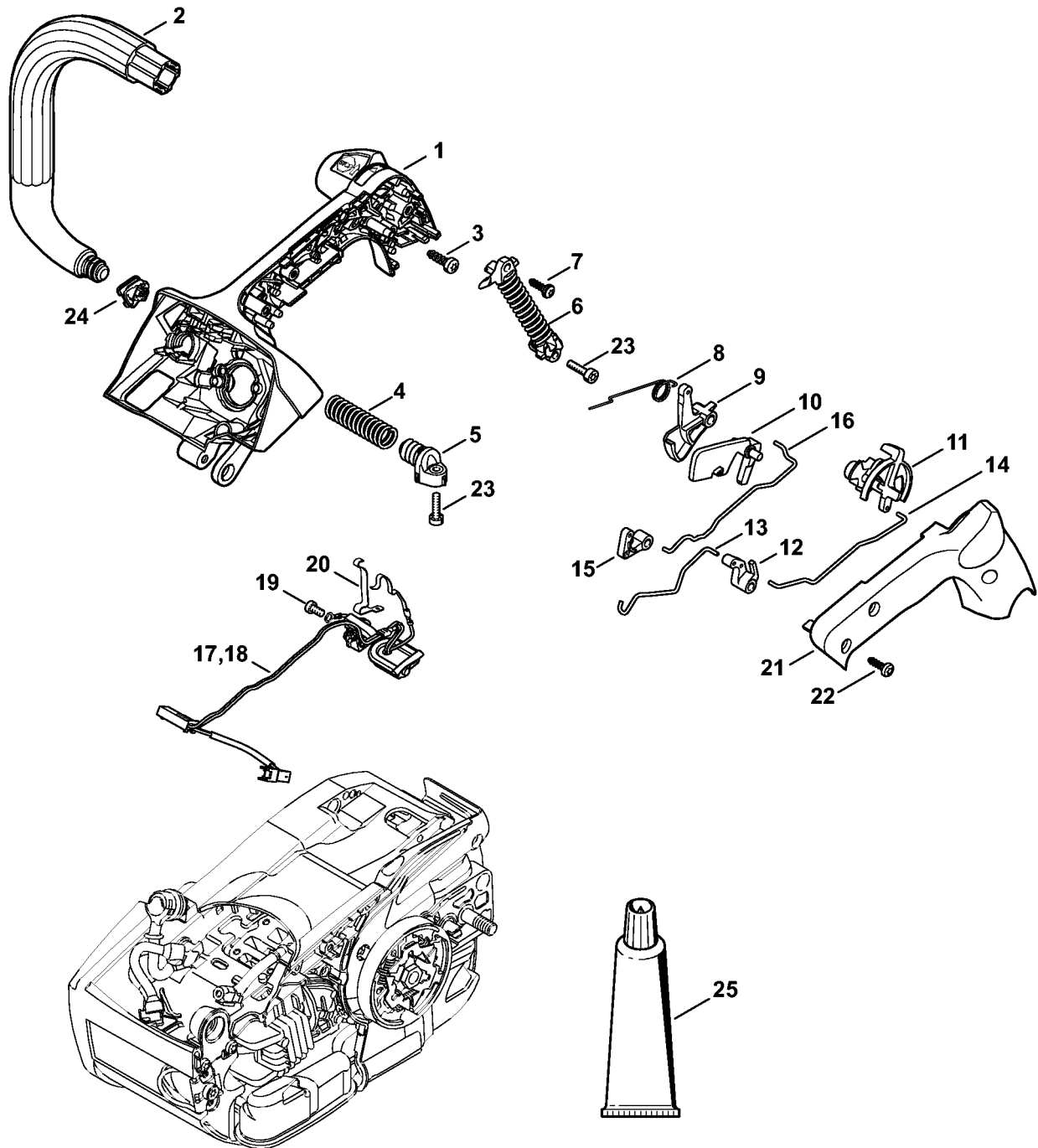


7012ET038 SC

Rewind starter

#	Part Number	Description	Quantity	Contains Item(s)	Remarks
	1145 080 2100	Fan housing with rewind starter	1	1 - 12	
1	1145 080 1800	Fan housing	1	2	
2	1110 084 9102	Bushing	1		
3	1123 190 0600	Rewind spring	1		
4	9104 003 2960	Self-tapping screw P4x10	1		
5	1123 195 0400	Rope rotor	1		
6	1125 195 7200	Pawl	1		
7	0000 958 0923	Washer	1		
8	1118 195 3500	Spring	1		
9	0000 190 3409	Starter grip ElastoStart Ø 3 mm	1	10, 11	
10	0000 195 8205	Starter rope Ø 3x750 mm	1		
	0000 930 2208	Starter rope Ø 3 mm x 30.5 m	1		
	0000 930 2211	Starter rope Ø 3 mm x 60.8 m	1		
11	0000 195 7001	Cap	1		
12	1145 084 7800	Segment	1		
13	9022 313 0680	Pan head screw IS M4x16	2		
14	9074 477 4130	Pan head self-tapping screw IS-P5x16	2		
16	1145 967 1502	Model plate MS 201 TC	1		
17	1145 084 1200	Fan screen	1		

Handle housing, Handlebar M-Tronic

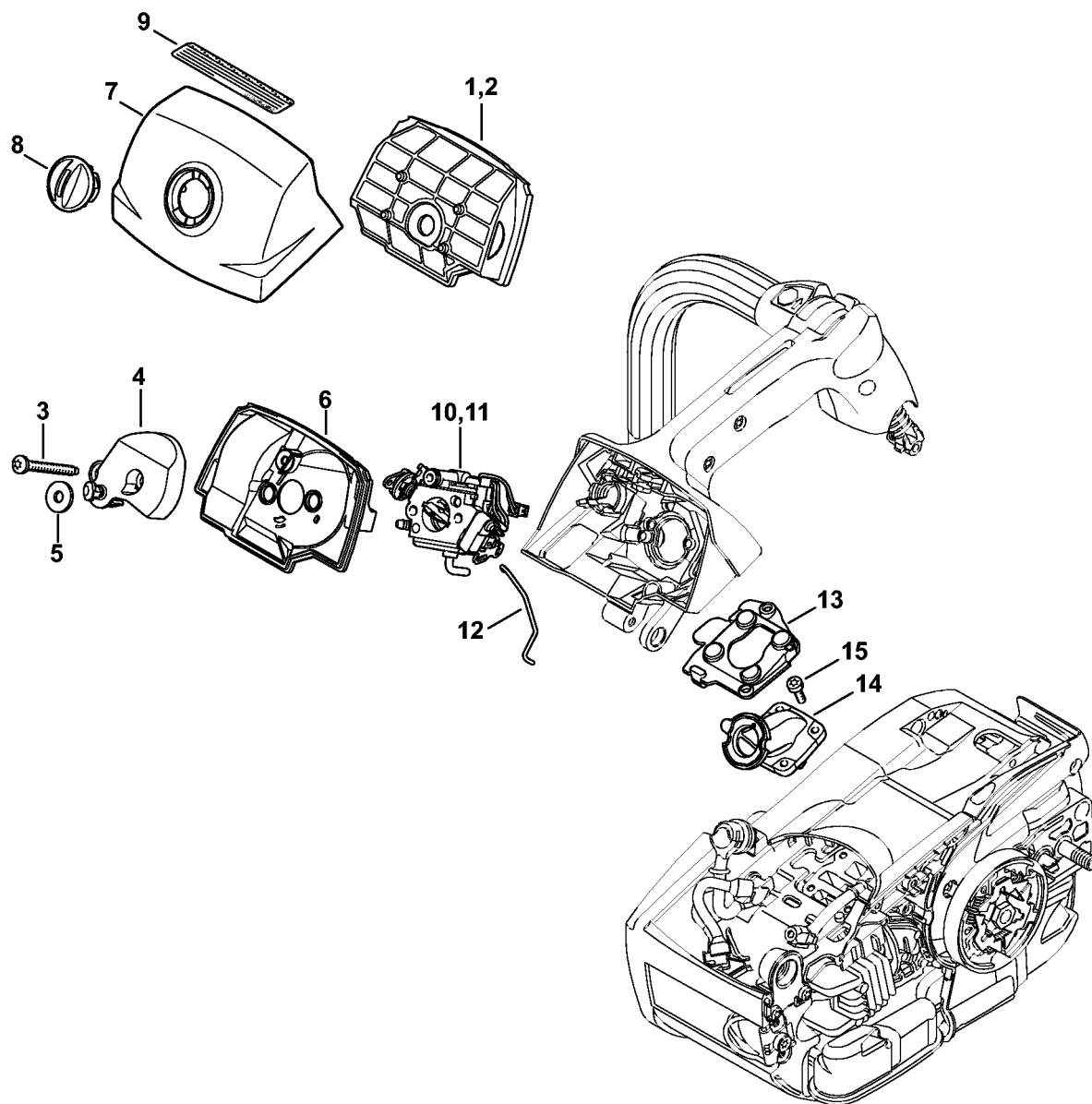


1145-GET-004&A0

Handle housing, Handlebar M-Tronic

#	Part Number	Description	Quantity	Contains Item(s)	Remarks
	1145 790 1024	Handle housing	1	1 - 17, 19 - 22	
	1145 790 1008	Handle housing	1	1 - 16, 18 - 22	
1	1145 790 1006	Handle housing	1		
2	1145 791 1700	Handlebar	1		
3	9074 478 4425	Pan head self-tapping screw IS-P6x19	1		
4	1137 791 3101	Spring	1		
5	1145 790 3800	AV mount	1		
6	1145 790 8302	AV-Spring	1		
7	9074 477 4130	Pan head self-tapping screw IS-P5x16	1		
8	1129 182 4500	Torsion spring	1		
9	1145 182 1002	Throttle trigger	1		
10	1129 182 0801	Lockout lever	1		
11	1145 180 0902	Switch shaft	1		
12	1145 182 0402	Double lever	1		
13	1145 185 1904	Choke rod	1		
14	1145 185 1906	Choke rod	1		
15	1145 182 0400	Double lever	1		
16	1145 182 1502	Throttle rod	1		
17	1145 440 3006	Wiring harness	1	19, 20	
18	1145 440 3002	Wiring harness	1	19, 20	
19	9022 319 0340	Screw IS-M3x8	1		
20	1137 442 1600	Contact spring	1		
21	1145 791 0602	Handle molding	1		
22	9104 003 3004	Self-tapping screw P4x14	3		
23	9022 313 0679	Spline screw IS-M4x16	2		
24	1145 647 9102	Grommet	1		
25	0781 120 1109	Multipurpose grease 80 g	1		

Air filter, Carburetor box cover M-Tronic

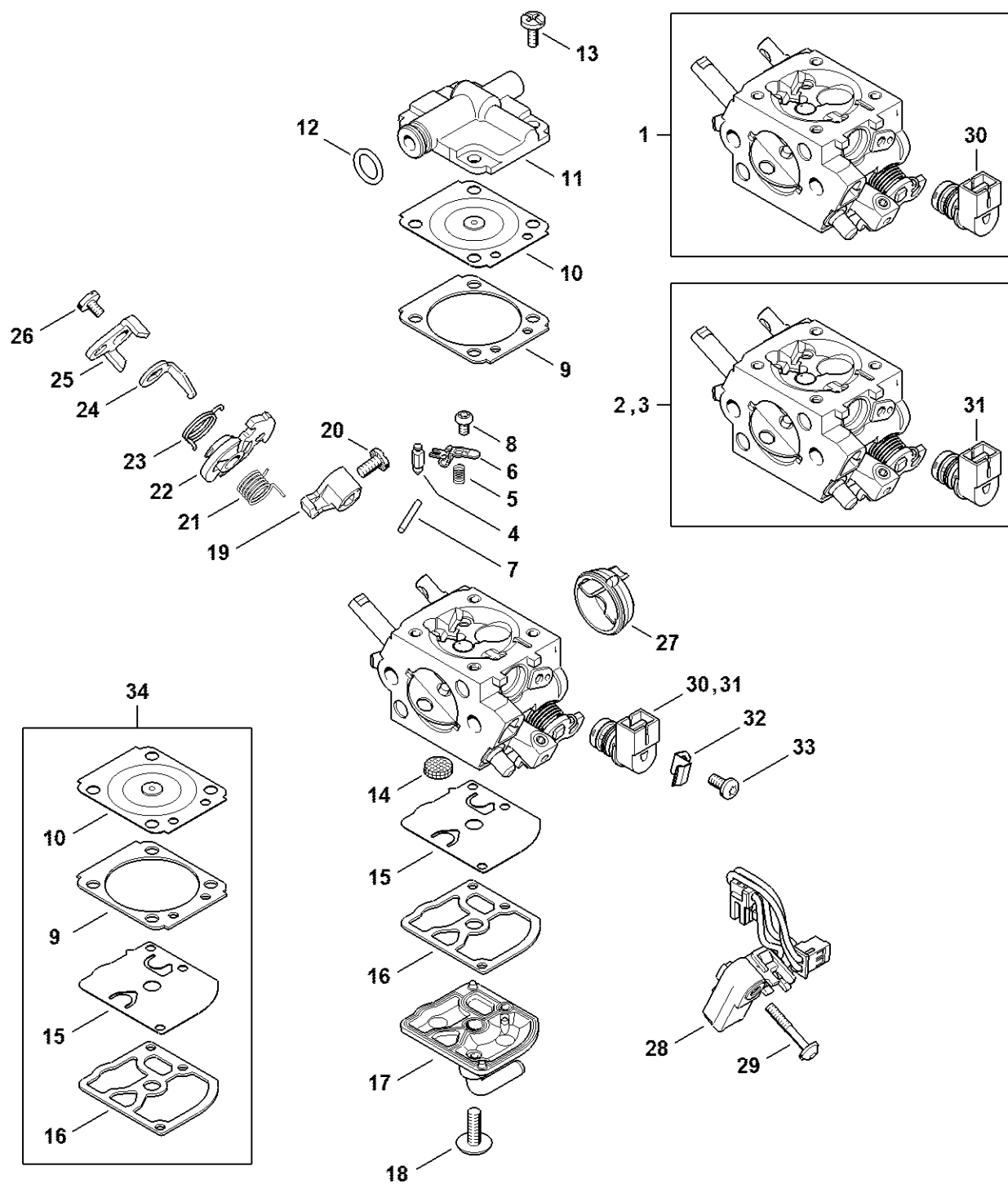


1145-GET-0018-A0

Air filter, Carburetor box cover M-Tronic

#	Part Number	Description	Quantity	Contains Item(s)	Remarks
1	1145 140 4404	Air filter, fleece	1		
2	1145 140 4406	Air filter PA	1		
3	9022 500 1093	Spline screw IS-M5x44	2		
4	1145 120 4105	Baffle	1	5	
5	1145 129 0901	Gasket	1		
6	1145 141 0902	Filter base	1		
7	1145 140 1904	Carburetor box cover	1	8	
8	1137 141 2301	Twist lock	1		
11	1145 120 0627	Carburetor 1145/27	1		
12	1145 182 1506	Throttle rod	1		
13	1145 353 7000	Cover	1		
14	1145 140 2502	Manifold	1		
15	9022 313 0660	Spline screw IS-M4x12	4		

Carburetor 1145/22, 1145/27, C1Q-S274



1145-GET-0050-A0

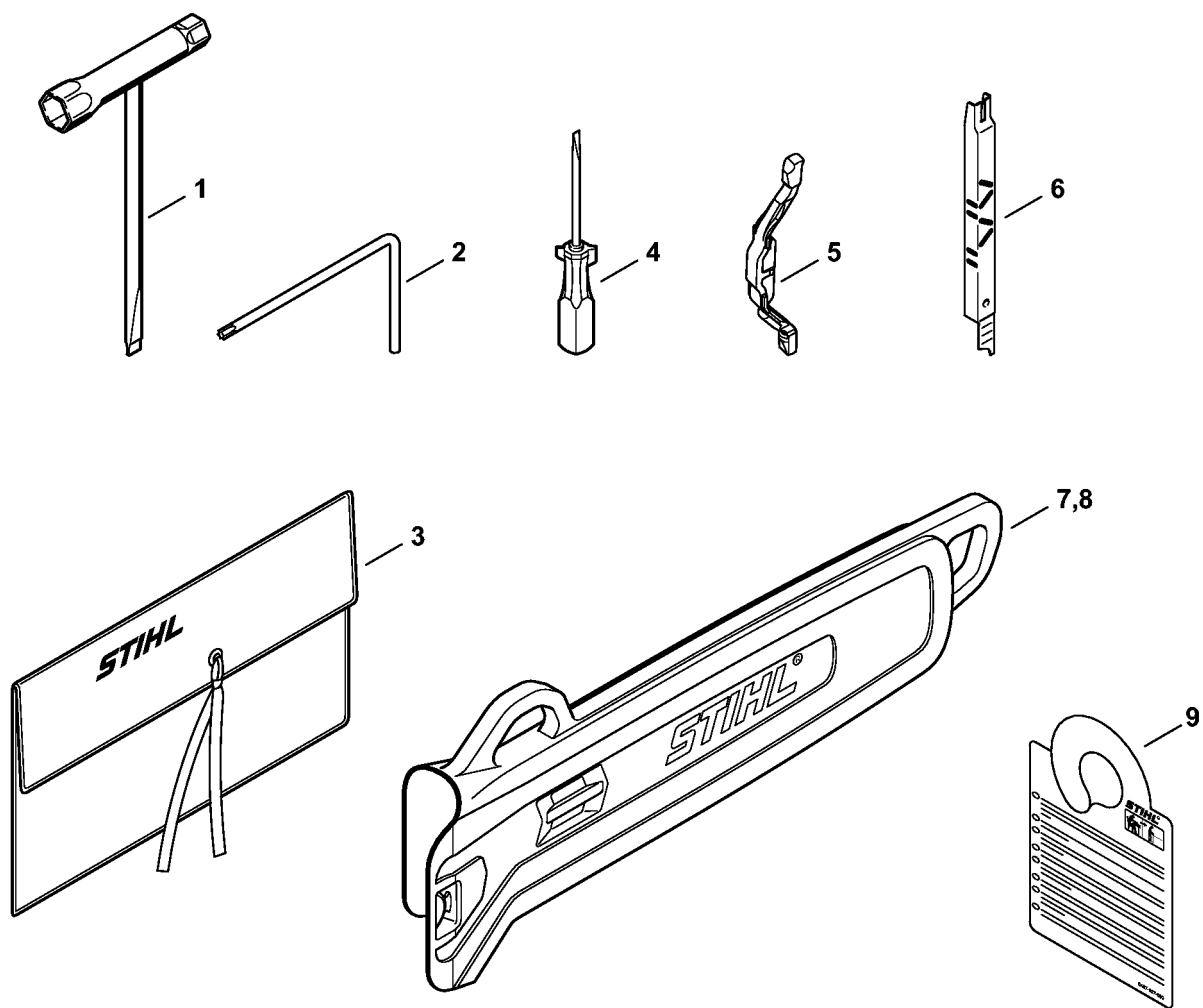
Carburetor 1145/22, 1145/27, C1Q-S274

#	Part Number	Description	Quantity	Contains Item(s)	Remarks
2	1145 120 0627	Carburetor 1145/27	1	4 - 29, 31 - 33	
3	1145 120 0616	Carburetor C1Q-S274C	1	4 - 29, 31 - 33	
4	Z000 018 Z000	Inlet needle	1		
5	1145 122 3000	Spring	1		
6	1125 121 5000	Inlet control lever	1		
7	1120 121 9200	Spindle	1		
8	0000 122 7101	Screw	1		
9	1145 129 0900	Metering gasket	1		
10	1145 121 4700	Metering diaphragm	1		
11	1145 126 0700	Metering cover	1		
12	9646 945 0490	O-ring 7x1.5	1		
13	1120 122 6601	Collar screw	4		
14	1123 121 7800	Strainer	1		
15	1129 121 4800	Pump diaphragm	1		
16	1123 129 0905	Pump gasket	1		
17	1145 120 2601	Pump cover	1		
18	1120 122 7800	Oval head screw	1		
19	1145 121 3501	Throttle lever	1		
20	4132 122 6600	Collar screw	1		
21	1145 122 3202	Torsion spring	1		
22	1145 123 0801	Detent lever	1		
23	1145 122 3203	Torsion spring	1		
24	1145 121 6602	Lever	1		
25	1145 121 6603	Lever	1		
26	1139 122 7101	Screw	1		
27	1145 141 1801	Sleeve	1		
28	1145 430 1000	Trigger unit	1		

Carburetor 1145/22, 1145/27, C1Q-S274

#	Part Number	Description	Quantity	Contains Item(s)	Remarks
29	9076 478 0210	Pan head self-tapping screw IS-A2.5x16	1		
31	0000 120 5111	Solenoid valve Up to Serial Number: 186642778	1		
32	0000 121 2301	Support	1		
33	0000 122 7103	Screw	1		
34	1145 007 1700	Set of carburetor parts	1	9, 10, 15, 16	

Tools, Extras

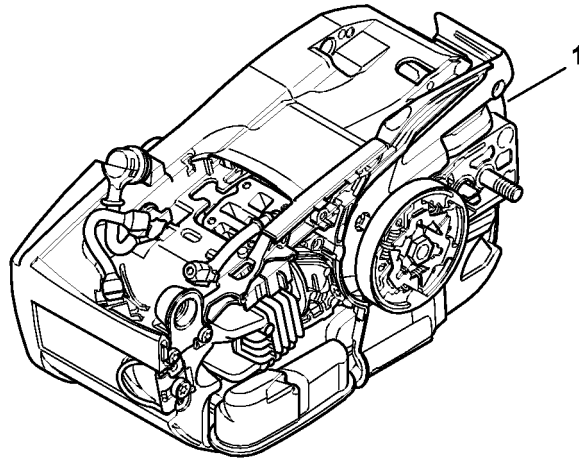


1145-GET-0014-A0

Tools, Extras

#	Part Number	Description	Quantity	Contains Item(s)	Remarks
	1145 890 1401	Tool kit	1	1 - 3	
1	0000 890 3402	Combination wrench	1		
2	0812 370 1000	Screwdriver T27x120x70	1		
3	0000 891 0810	Tool roll	1		
5	1145 893 5900	Locking strip	1		
6	1110 893 4000	Filing gauge	1		
7	0000 792 9160	Chain scabbard Tophandle 35 cm	1		
8	0000 792 9161	Chain scabbard Tophandle 40 cm	1		
9	0457 927 0002	Hang tag	1		

Serial number

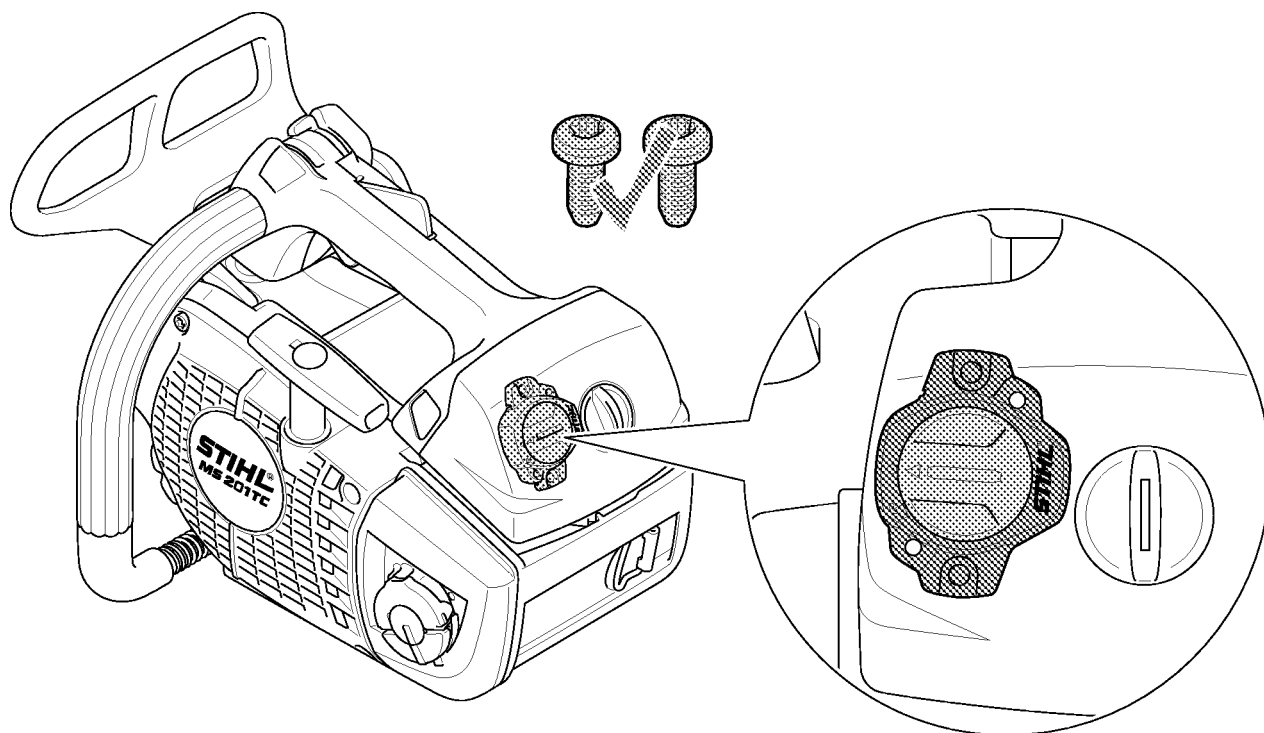


7012ET018 SC

Serial number

#	Part Number	Description	Quantity	Contains Item(s)	Remarks
1	0000 100 0919	Position of serial number	1		

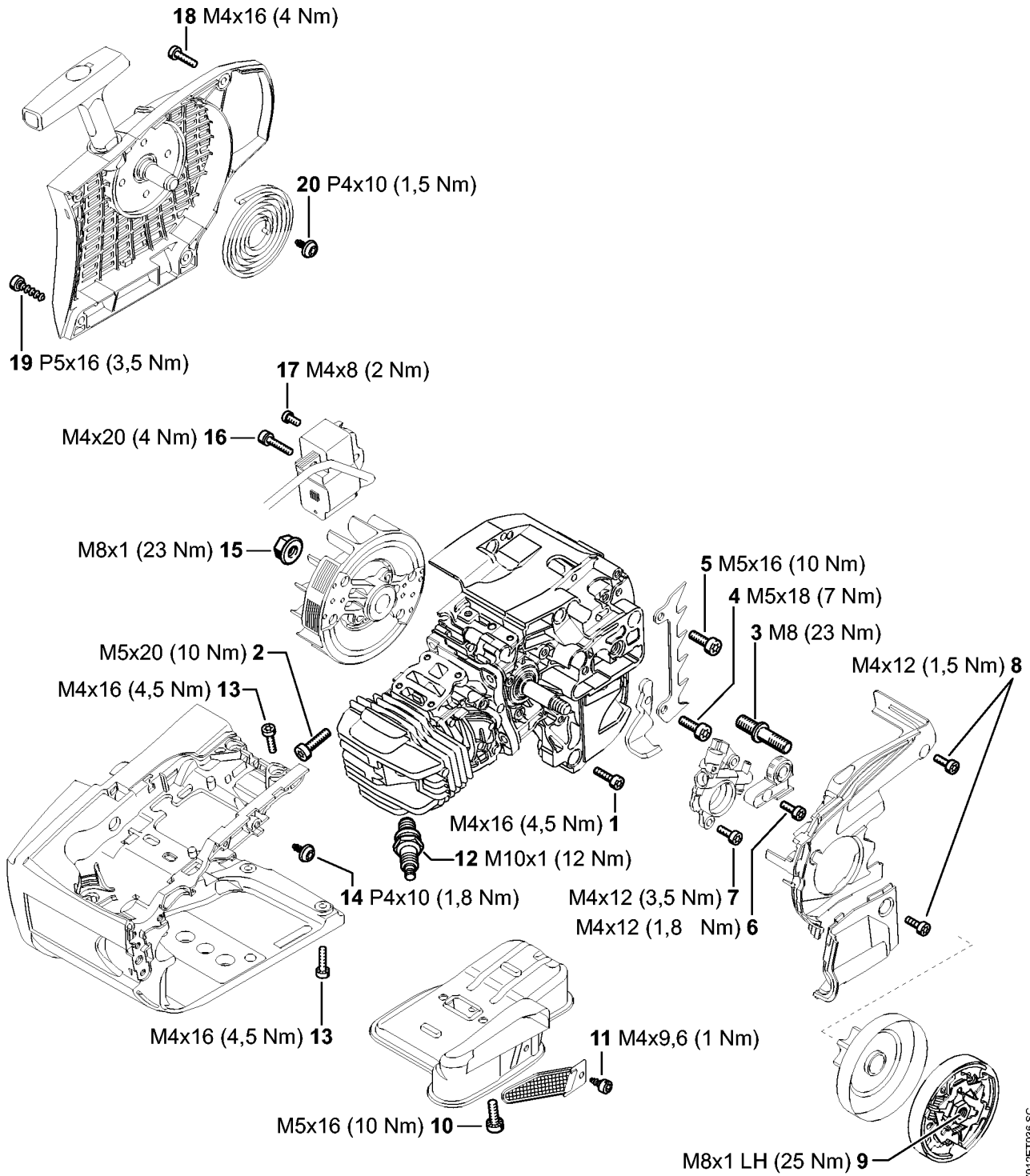
Smart Connector



Smart Connector

#	Part Number	Description	Quantity	Contains Item(s)	Remarks
	0000 100 1572	Position of Smart Connector	1		

Tightening torques

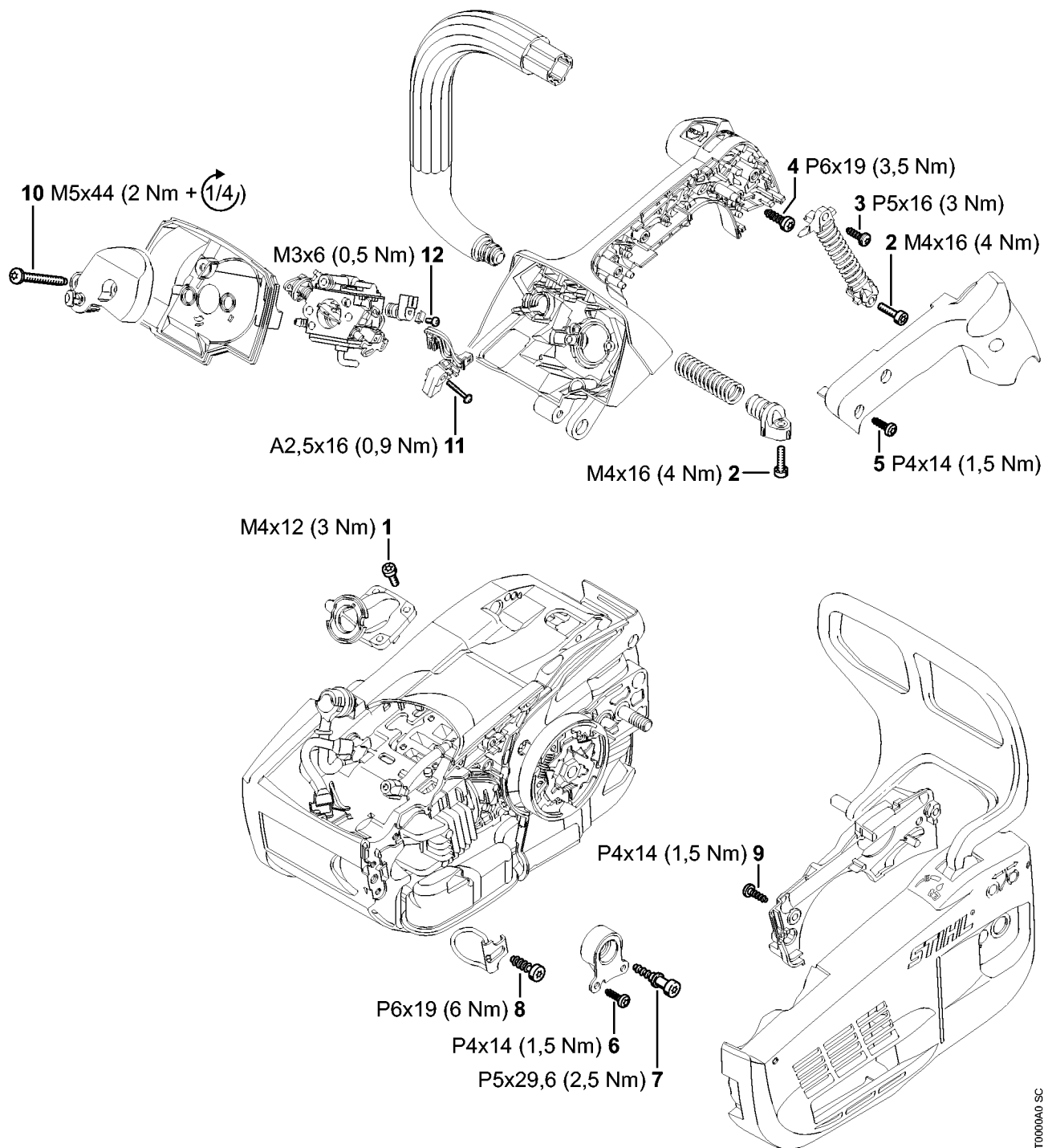


7012ET036 SC

Tightening torques

#	Part Number	Description	Quantity	Contains Item(s)	Remarks
1	9022 313 0680	Pan head screw IS M4x16	7		Binding thread
2	9022 371 1020	Spline screw IS-M5x20	4		Binding thread
3	1143 664 2400	Collar screw M8	1		High strength threadlocking adhesive
4	1143 664 2402	Collar screw M5	2		Micro-encapsulated with binding thread
5	9022 341 0980	Spline screw IS-M5x16	2		Binding thread
6	9022 313 0660	Spline screw IS-M4x12	1		Binding thread
7	9022 346 0658	Spline screw IS-M4x12	2		Micro-encapsulated with binding thread
8	9022 313 0660	Spline screw IS-M4x12	3		Binding thread
9	1137 160 2000	Clutch	1		
10	9022 341 0983	Spline screw IS-M5x16	2		Micro-encapsulated with binding thread
11	9039 475 0656	Self-tapping screw M4x9.6	1		
12	0000 400 7011	Spark plug NGK CMR6H	1		
13	9022 313 0680	Pan head screw IS M4x16	4		Binding thread
14	9104 003 2960	Self-tapping screw P4x10	1		
15	0000 955 0802	Collar nut M8x1	1		
16	9022 341 0710	Spline screw IS-M4x20	2		micro-encapsulated
17	9022 313 0633	Spline screw IS-M4x8	1		Binding thread
18	9022 313 0680	Pan head screw IS M4x16	2		Binding thread
19	9074 477 4130	Pan head self-tapping screw IS-P5x16	2		
20	9104 003 2960	Self-tapping screw P4x10	1		

Tightening torques

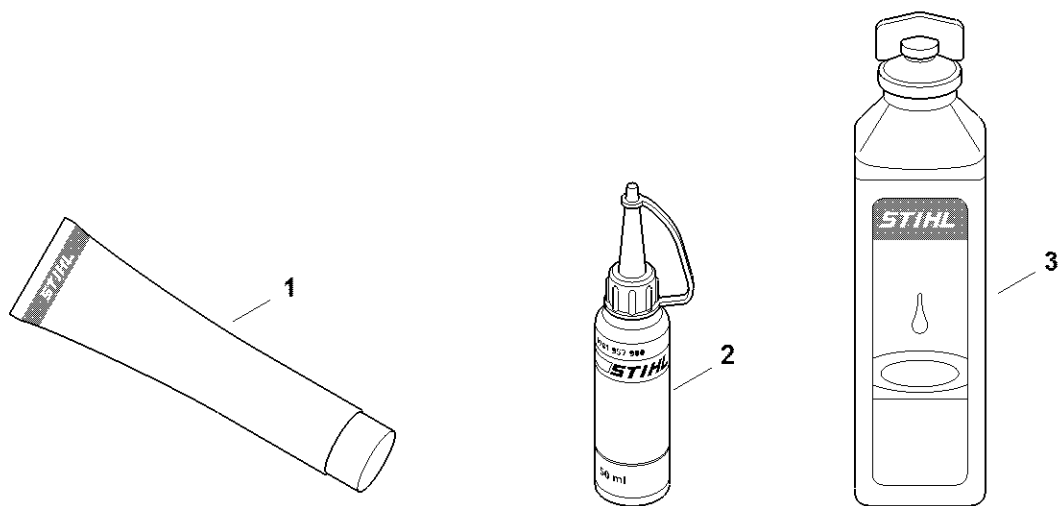


1145ET0000A0 SC

Tightening torques

#	Part Number	Description	Quantity	Contains Item(s)	Remarks
1	9022 313 0660	Spline screw IS-M4x12	4		Binding thread
2	9022 313 0679	Spline screw IS-M4x16	2		micro-encapsulated
3	9074 477 4130	Pan head self-tapping screw IS-P5x16	1		
4	9074 478 4425	Pan head self-tapping screw IS-P6x19	1		
5	9104 003 3004	Self-tapping screw P4x14	3		
6	9104 003 3004	Self-tapping screw P4x14	2		
7	1129 791 6100	Screw	1		
8	9074 478 4435	Pan head self-tapping screw IS-P6x19	1		
9	9104 003 3004	Self-tapping screw P4x14	2		
10	9022 500 1093	Spline screw IS-M5x44	2		
11	9076 478 0210	Pan head self-tapping screw IS-A2.5x16	1		
12	0000 122 7103	Screw	1		

Miscellaneous lubricants and greases

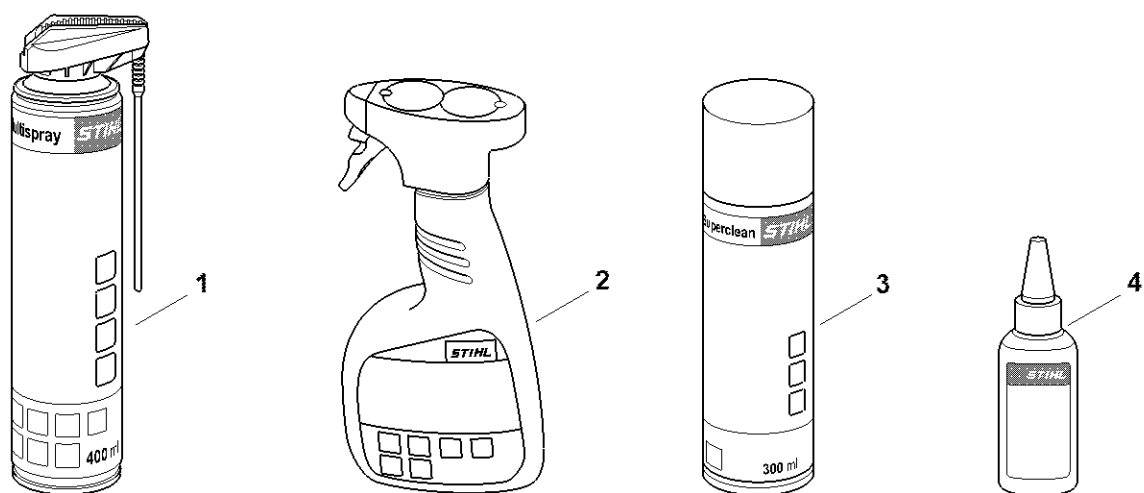


0000-GET-0170-A0

Miscellaneous lubricants and greases

#	Part Number	Description	Quantity	Contains Item(s)	Remarks
1	0781 120 1021	STIHL Multilub 40g tube	1		
1	0781 120 1109	Multipurpose grease 80 g	1		
1	0781 120 1110	Multipurpose grease 225 g	1		
2	0781 957 9000	Press fluid OH 723	1		
3	0781 319 8401	HP 100ml	1		
3	0781 319 8052	HP Super 100ml	1		
3	0781 319 8060	HP Ultra 100ml	1		

Cleaning products

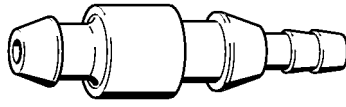


0000-GET-0171-A0

Cleaning products

#	Part Number	Description	Quantity	Contains Item(s)	Remarks
1	0730 411 7002	Multispray 50 ml	1		
1	0730 411 7000	Multispray	1		
2	0000 881 9400	Special cleaner	1		
2	0000 881 9409	Special cleaner 5 l	1		
3	0782 420 1001	Resin solvent 50 ml	1		
3	0782 420 1002	Resin solvent 300 ml	1		
4	0782 516 8500	Multioil Bio 50 ml	1		

Nipple



901SW008 GM

Nipple

#	Part Number	Description	Quantity	Contains Item(s)	Remarks
	0000 855 9200	Nipple	1		

Installing tool

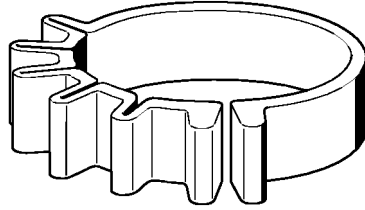


901SW009 GM

Installing tool

#	Part Number	Description	Quantity	Contains Item(s)	Remarks
	0000 890 2201	Installing tool	1		
	9210 319 0900	Hexagon nut M6	1		

Clamping strap

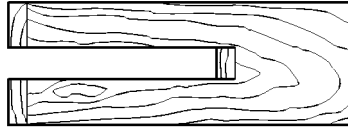


901SW011 GM

Clamping strap

#	Part Number	Description	Quantity	Contains Item(s)	Remarks
	0000 893 2600	Clamping strap	1		

Wooden assembly block

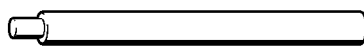


901SW022 GM

Wooden assembly block

#	Part Number	Description	Quantity	Contains Item(s)	Remarks
	1108 893 4800	Wooden assembly block	1		

Assembly drift



901SW047 GM

Assembly drift

#	Part Number	Description	Quantity	Contains Item(s)	Remarks
	1114 893 4700	Assembly drift	1		

Press sleeve



901SW066 GM

Press sleeve

#	Part Number	Description	Quantity	Contains Item(s)	Remarks
	1120 893 2400	Press sleeve	1		

Sealing plate

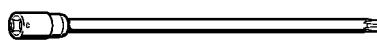


901 SW078 GM

Sealing plate

#	Part Number	Description	Quantity	Contains Item(s)	Remarks
	0000 855 8106	Sealing plate	1		

Socket, T20x125

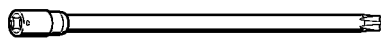


901SW090 GM

Socket, T20x125

#	Part Number	Description	Quantity	Contains Item(s)	Remarks
	0812 542 2041	Driver bit, 1/4" square drive, T20x125	1		

Socket, T27x125



901SW091 GM

Socket, T27x125

#	Part Number	Description	Quantity	Contains Item(s)	Remarks
	0812 542 2104	Driver bit, 1/4" square drive, T27x125	1		

Hose 135 mm / 5 5/16"

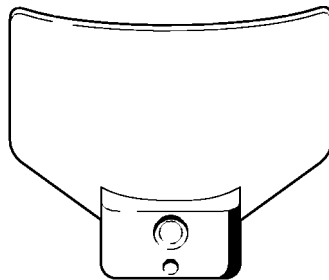


901SW100 GM

Hose 135 mm / 5 5/16"

#	Part Number	Description	Quantity	Contains Item(s)	Remarks
	1110 141 8600	Hose 135 mm / 5 5/16"	1		

Setting gauge



901SW107 GM

Setting gauge

#	Part Number	Description	Quantity	Contains Item(s)	Remarks
	1111 890 6400	Setting gauge	1		

Assembly tube

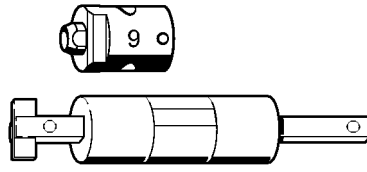


901SW112 GM

Assembly tube

#	Part Number	Description	Quantity	Contains Item(s)	Remarks
	1117 890 0900	Assembly tube	1		

Installing tool, 9

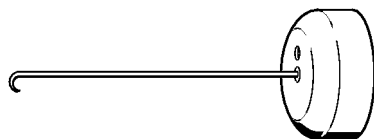


5910-GSN-0002-A0

Installing tool, 9

#	Part Number	Description	Quantity	Contains Item(s)	Remarks
	5910 890 2209	Installing tool, 9	1		
	5910 893 1713	Sleeve	1		

Assembly hook

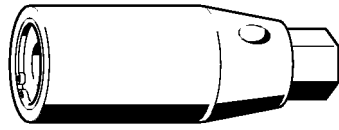


901SW205 GM

Assembly hook

#	Part Number	Description	Quantity	Contains Item(s)	Remarks
	5910 890 2800	Assembly hook	1		

Stud puller, M8

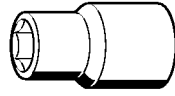


901SW209 GM

Stud puller, M8

#	Part Number	Description	Quantity	Contains Item(s)	Remarks
	5910 893 0501	Stud puller, M8	1		

Socket, 13 mm



901SW217 GM

Socket, 13 mm

#	Part Number	Description	Quantity	Contains Item(s)	Remarks
	5910 893 5608	Socket, 13 mm	1		

Assembly hook

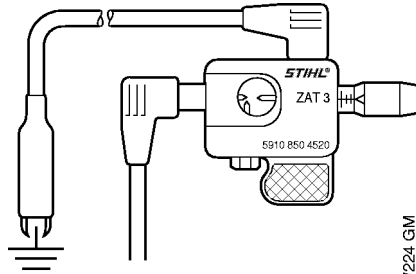


901SW221 GM

Assembly hook

#	Part Number	Description	Quantity	Contains Item(s)	Remarks
	5910 893 8800	Assembly hook	1		

Ignition system tester, ZAT 3

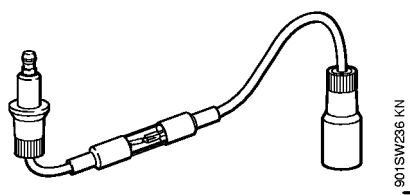


901 SW224 GM

Ignition system tester, ZAT 3

#	Part Number	Description	Quantity	Contains Item(s)	Remarks
	5910 850 4520	Ignition system tester, ZAT 3	1		

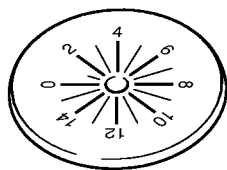
Ignition system tester, ZAT 4



Ignition system tester, ZAT 4

#	Part Number	Description	Quantity	Contains Item(s)	Remarks
	5910 850 4503	Ignition system tester, ZAT 4	1		

Setting disk

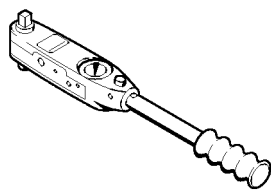


901SW287 KN

Setting disk

#	Part Number	Description	Quantity	Contains Item(s)	Remarks
	5910 893 6600	Setting disk	1		

Torque wrench with optical/acoustic signal

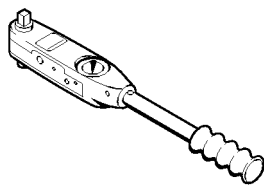


901SW290 KN

Torque wrench with optical/acoustic signal

#	Part Number	Description	Quantity	Contains Item(s)	Remarks
	5910 890 0312	Torque wrench with optical/acoustic signal	1		

Torque wrench

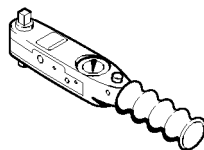


901SW291 KN

Torque wrench

#	Part Number	Description	Quantity	Contains Item(s)	Remarks
	5910 890 0311	Torque wrench	1		

Torque wrench with optical/acoustic signal

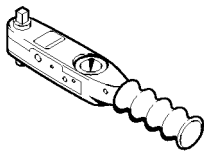


901SW292 KN

Torque wrench with optical/acoustic signal

#	Part Number	Description	Quantity	Contains Item(s)	Remarks
	5910 890 0302	Torque wrench with optical/acoustic signal	1		

Torque wrench

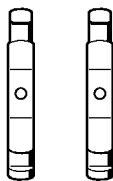


901SW293 KN

Torque wrench

#	Part Number	Description	Quantity	Contains Item(s)	Remarks
	5910 890 0301	Torque wrench	1		

Jaw (profile No. 3.1 and 4)

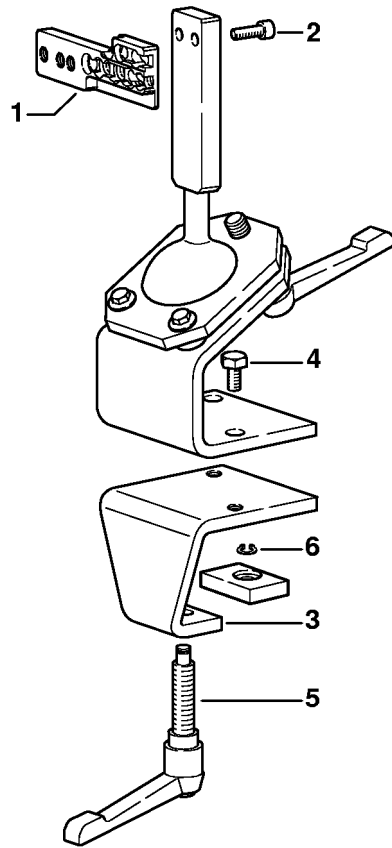


901 SW932 GIM

Jaw (profile No. 3.1 and 4)

#	Part Number	Description	Quantity	Contains Item(s)	Remarks
	0000 893 3706	Jaw (profile No. 3.1 and 4)	1		

Assembly stand

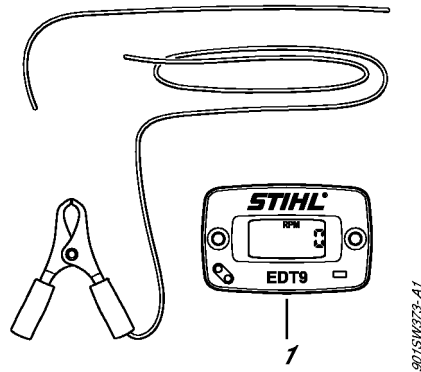


9015W363 SC

Assembly stand

#	Part Number	Description	Quantity	Contains Item(s)	Remarks
	5910 890 3101	Assembly stand	1	1 - 6	
1	5910 850 1651	Support	1		
2	9045 319 2390	Socket head screw M10x25	2		
3	5910 850 2100	Clamping plate	1	4 - 6	
4	9008 319 2930	Hexagon head screw M12x20	2		
5	5910 890 1901	Clamp lever	1		
6	9455 621 0850	Circlip 10x1	1		

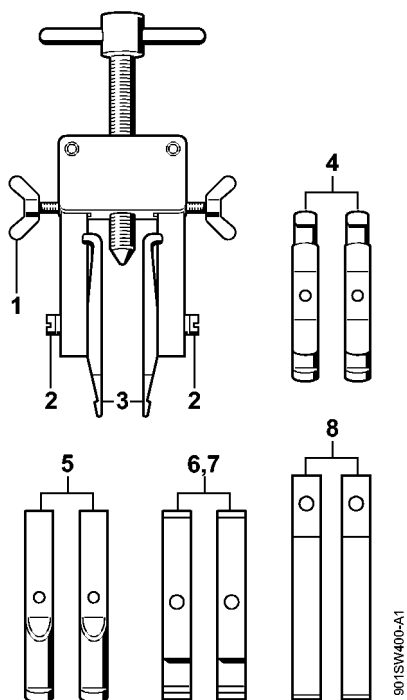
Tachometer EDT 9



Tachometer EDT 9

#	Part Number	Description	Quantity	Contains Item(s)	Remarks
1	5910 850 1100	Tachometer EDT 9	1		

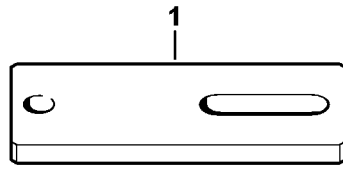
Puller



Puller

#	Part Number	Description	Quantity	Contains Item(s)	Remarks
	5910 890 4400	Puller	1	1 - 8	
1	9157 691 0980	Wing screw M5x16	2		
2	9044 319 0980	Pan head screw M5x16	2		
3	0000 893 3700	Jaw (profile No. 1 and 2)	2		
4	0000 893 3706	Jaw (profile No. 3.1 and 4)	2		
5	0000 893 3711	Jaw (profile No. 6)	2		
6	0000 893 3703	Jaw (profile No. 7)	2		
7	0000 893 3704	Jaw (profile No. 8)	2		
8	0000 893 3707	Jaw (profile No. 9)	2		

Flange

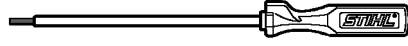


5610-GET-0013-A1

Flange

#	Part Number	Description	Quantity	Contains Item(s)	Remarks
	5910 855 4206	Flange	1		

Screwdriver

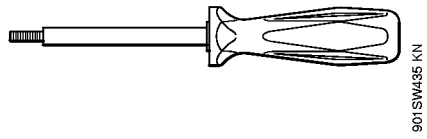


901SW634 KN

Screwdriver

#	Part Number	Description	Quantity	Contains Item(s)	Remarks
	5910 890 2306	Screwdriver	1		

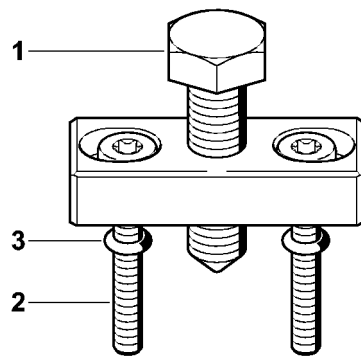
Puller



Puller

#	Part Number	Description	Quantity	Contains Item(s)	Remarks
	5910 890 4502	Puller	1		

Puller

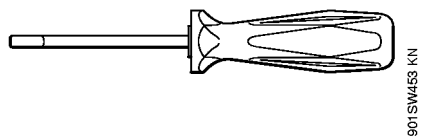


901 SW448 GM

Puller

#	Part Number	Description	Quantity	Contains Item(s)	Remarks
	5910 890 4504	Puller	1		
1	0000 951 0900	Hexagon head screw	1		
2	9022 341 1080	Spline screw IS-M5x35	2		
3	9646 945 0160	O-ring 4x2	2		

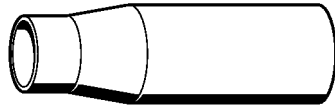
Punchdown tool



Punchdown tool

#	Part Number	Description	Quantity	Contains Item(s)	Remarks
	5910 890 4000	Punchdown tool	1		

Installing sleeve

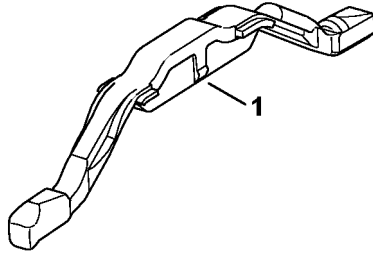


901SW471 GM

Installing sleeve

#	Part Number	Description	Quantity	Contains Item(s)	Remarks
	1145 893 4600	Installing sleeve	1		

Locking strip

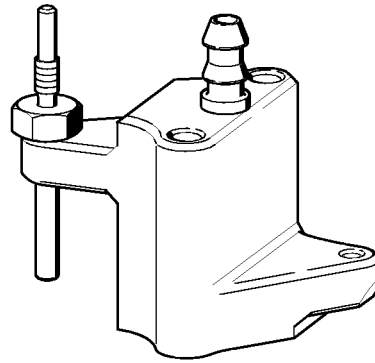


5910-5ET-0122-A0

Locking strip

#	Part Number	Description	Quantity	Contains Item(s)	Remarks
1	1145 893 5900	Locking strip	1		

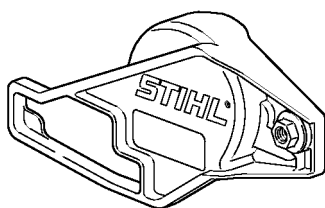
Flange



901 SW475 KN

Flange

#	Part Number	Description	Quantity	Contains Item(s)	Remarks
	5910 850 4203	Flange	1		

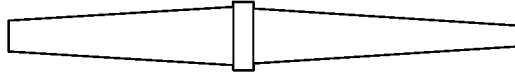


901SW485 GM

Cover

#	Part Number	Description	Quantity	Contains Item(s)	Remarks
	5910 890 3201	Cover	1		

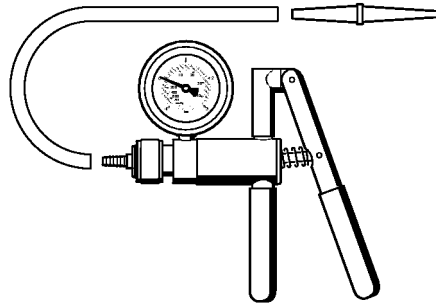
Nipple



9015W496 GM

Nipple

#	Part Number	Description	Quantity	Contains Item(s)	Remarks
	0000 855 9201	Nipple	1		

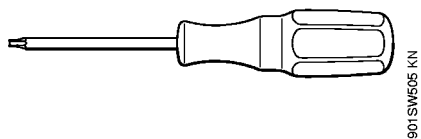


901SW486 GM

Pump

#	Part Number	Description	Quantity	Contains Item(s)	Remarks
	0000 850 1300	Pump	1		
	0000 855 9201	Nipple	1		
	0000 855 0100	Hose	1		

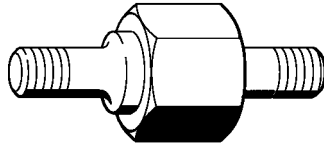
Screwdriver, T8



Screwdriver, T8

#	Part Number	Description	Quantity	Contains Item(s)	Remarks
	5910 890 2310	Screwdriver, T8	1		

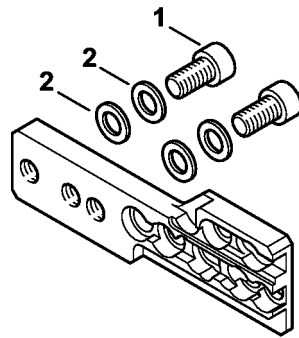
Collar screw



901SW521 KN

Collar screw

#	Part Number	Description	Quantity	Contains Item(s)	Remarks
	5910 893 9600	Collar screw	1		
	5910 893 9601	Collar screw	1		

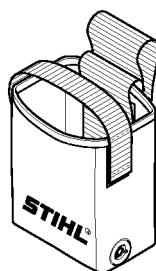


9015W547 SC

Support

#	Part Number	Description	Quantity	Contains Item(s)	Remarks
	5910 850 1651	Support	1	1, 2	
1	9045 319 2390	Socket head screw M10x25	2		
2	9291 021 3870	Washer 10.5x20x1.5	4		

Adapter, battery-to-analyzer AAD 1

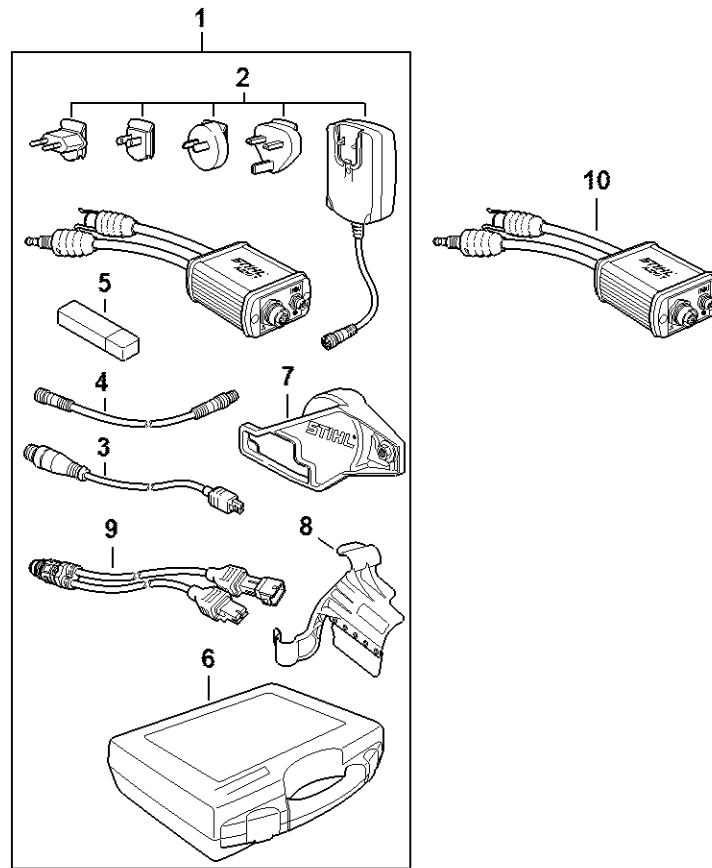


901SW657 SC

Adapter, battery-to-analyzer AAD 1

#	Part Number	Description	Quantity	Contains Item(s)	Remarks
	5910 840 2300	Adapter, battery-to-analyzer AAD 1	1		

Diagnostic unit MDG 1

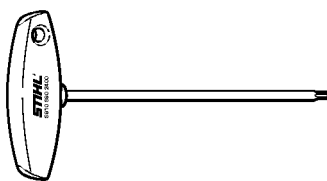


591D-GSW-0010-A4

Diagnostic unit MDG 1

#	Part Number	Description	Quantity	Contains Item(s)	Remarks
1	5910 840 0210	Diagnostic unit MDG 1	1	2 - 9	
2	5910 840 1400	Power supply	1		
3	5910 840 0408	Diagnosis cable M-Tronic	1		
4	5910 440 2000	Connecting cable	1		
5	5910 840 1501	Bluetooth USB stick	1		
6	5910 900 4102	Case	1		
7	5910 890 3201	Cover	1		
8	5910 890 3200	Cover	1		
9	5910 840 0405	Diagnosis cable	1		

Screwdriver, T27x150

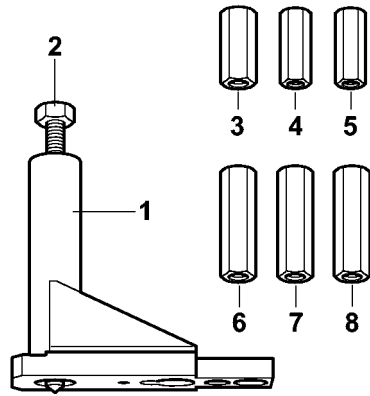


901SW575 KN

Screwdriver, T27x150

#	Part Number	Description	Quantity	Contains Item(s)	Remarks
	5910 890 2400	Screwdriver, T27x150	1		

Service tool AS

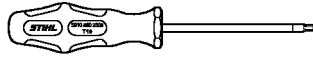


9015W663 SC

Service tool AS

#	Part Number	Description	Quantity	Contains Item(s)	Remarks
	5910 007 2222	Service tool AS	1	1 - 8	
1	5910 890 2222	Service tool AS	1	2	
2	5910 893 8500	Spindle AS	1		
3	5910 893 2405	Screw sleeve	1		
4	5910 893 2406	Screw sleeve	1		
5	5910 893 2407	Screw sleeve	1		
6	5910 893 2408	Screw sleeve	1		
7	5910 893 2409	Screw sleeve	1		
8	5910 893 2202	Screw sleeve	1		

Screwdriver, T10

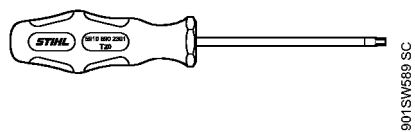


901SW687 SC

Screwdriver, T10

#	Part Number	Description	Quantity	Contains Item(s)	Remarks
	5910 890 2308	Screwdriver, T10	1		

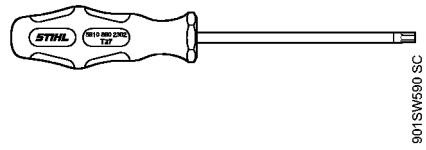
Screwdriver, T20



Screwdriver, T20

#	Part Number	Description	Quantity	Contains Item(s)	Remarks
	5910 890 2301	Screwdriver, T20	1		

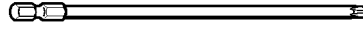
Screwdriver, T27x150



Screwdriver, T27x150

#	Part Number	Description	Quantity	Contains Item(s)	Remarks
	5910 890 2302	Screwdriver, T27x150	1		

Socket, T20x140

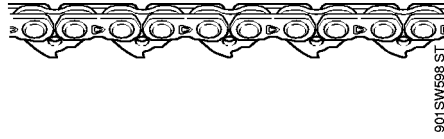


901SW696 SC

Socket, T20x140

#	Part Number	Description	Quantity	Contains Item(s)	Remarks
	0812 540 1016	Driver bit, 1/4" hex drive, T20x140	1		

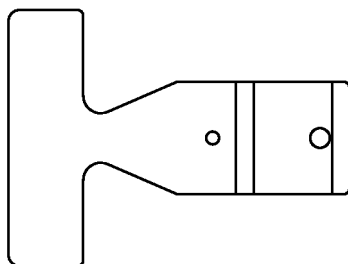
Chain without cutters 3/8" P 1.1 (30 cm / 12")



Chain without cutters 3/8" P 1.1 (30 cm / 12")

#	Part Number	Description	Quantity	Contains Item(s)	Remarks
	3110 000 0044	Chain without cutters 3/8" P 1.1 (30 cm / 12")	1		

Setting gauge



901SW605 SC

Setting gauge

#	Part Number	Description	Quantity	Contains Item(s)	Remarks
	0000 890 6401	Setting gauge	1		