

# **HUSQVARNA - SPARE PARTS CATALOGUE**

## **CHAIN SAWS: HUSQVARNA 592 XP®**

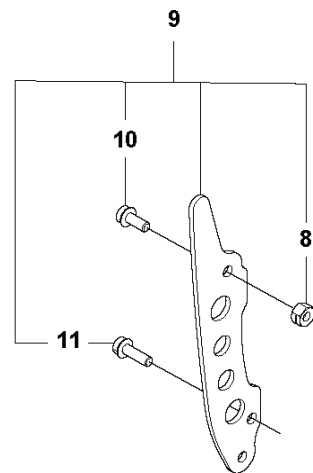
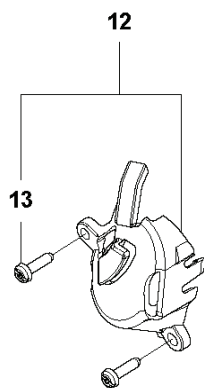
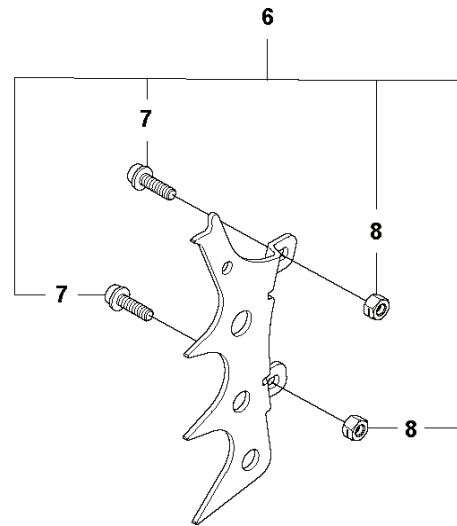
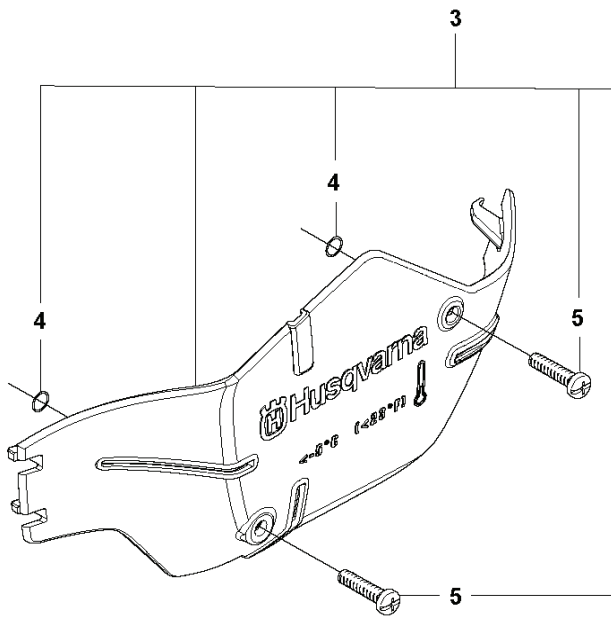
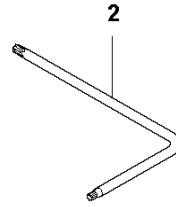
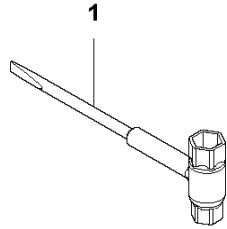
Spare parts list

# **SPARE PARTS LIST**

CHAIN SAWS

HUSQVARNA 592 XP®

**V** 592 XP®, 592 XP® G  
ACCESSORIES

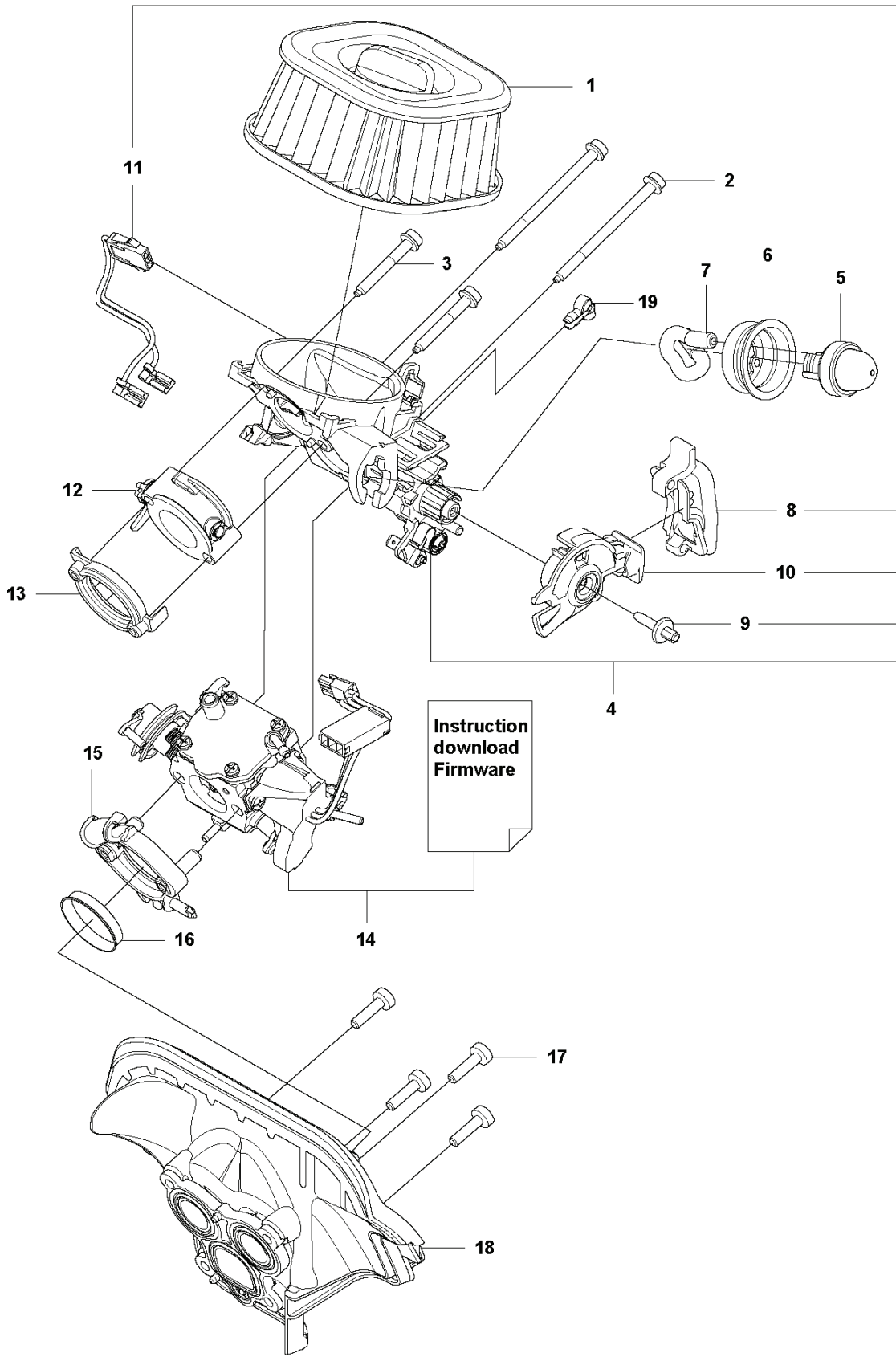


## CHAIN SAWS

---

PXM_REF	PXM_PARTNO	DESCRIPTION	PXM_REMARK	QTY.
1	599289601	COMBINATION WRENCH		1
2	575880701	WRENCH		1
3	599634601	WINTER KIT		1
4	740420100	O-RING		2 3
5	503217016	SCREW CCRPANT		1 3
6	529592601	SPIKE		1
7	525755101	SCREW ITXSCFM		2 6
8	503222401	LOCK NUT		2 6.9
9	529717501	BUMPER		1
10	525755105	SCREW ITXSCFM		1 9
11	525755101	SCREW ITXSCFM		1 9
12	529597401	HOLDER	Connectivity device kit	1
13	525887401	SCREW CITXPANT		1 12

**G** 592 XP®, 592 XP® G  
CARBURETOR & AIRFILTER

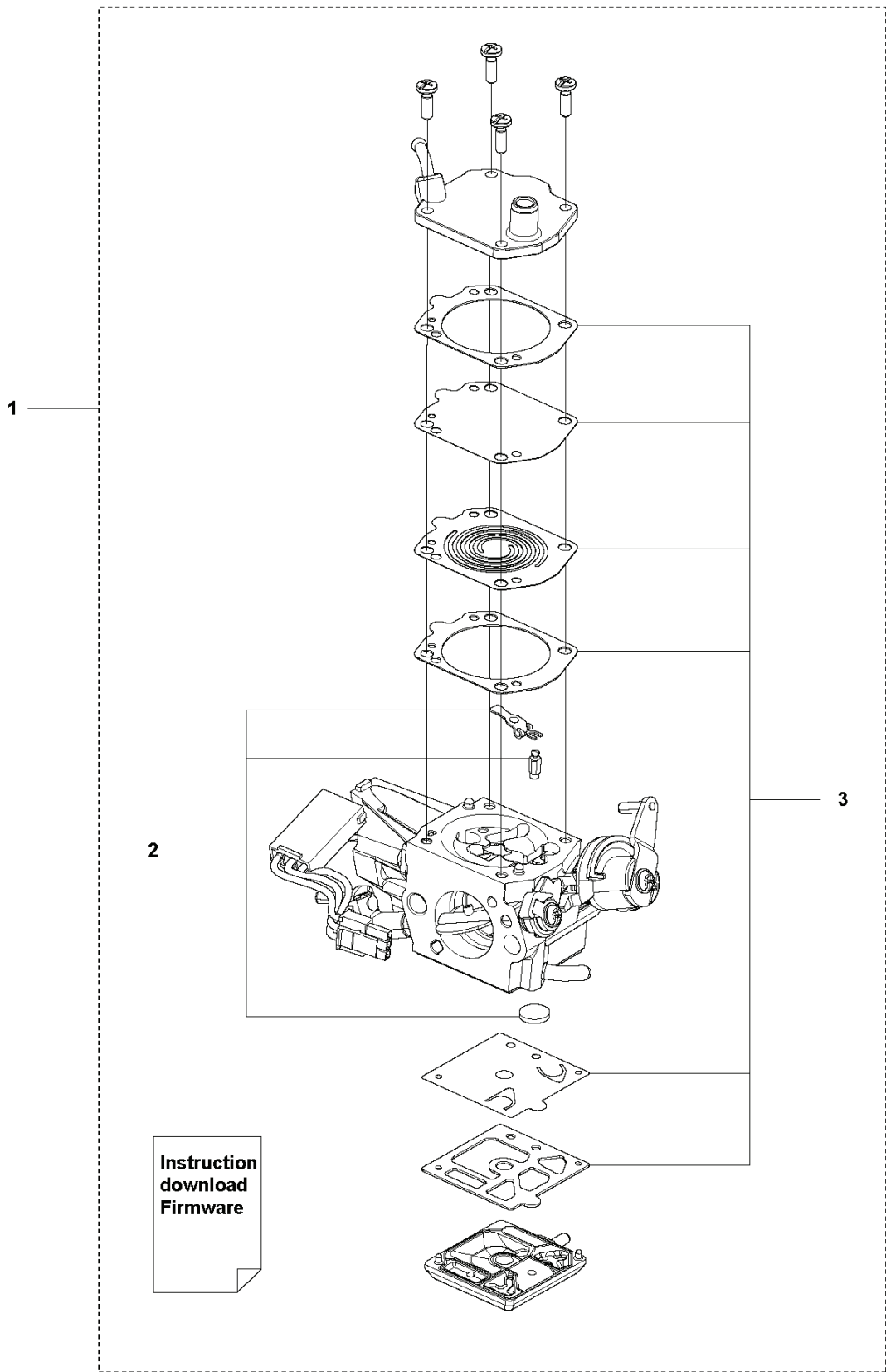


## CHAIN SAWS

---

PXM_REF	PXM_PARTNO	DESCRIPTION	PXM_REMARK	QTY.
1	593258802	AIR FILTER ASSY	Yellow, Mesh 27 microns	1
1	593258803	AIR FILTER ASSY	Black, Mesh 50 microns	1
1	593258801	AIR FILTER ASSY	Nature, Non woven	1
2	596682402	SCREW		2
3	596682401	SCREW		2
4	593261001	INLET ELBOW		1
5	540054901	PURGE		1
6	597080601	SEALING		1
7	544401901	HOSE		1
8	593909001	SEALING		1 4
9	505156201	SCREW		1 4
10	593260801	CHOKE CONTROL ASSY		1 4
11	593976301	WIRING ASSY		1 4
12	593268801	VALVE HOUSING ASSY		1
13	594918401	FLANGE		1
14	598932901	CARBURETTOR		1
15	593273001	FLANGE		1
16	595014701	SLEEVE		1
17	526818101	SCREW ITXSCM		4
18	593257901	INLET PIPE ASSY		1
19	540070101	RETAINER		1

**U** 592 XP®, 592 XP® G  
CARBURETOR DETAILS



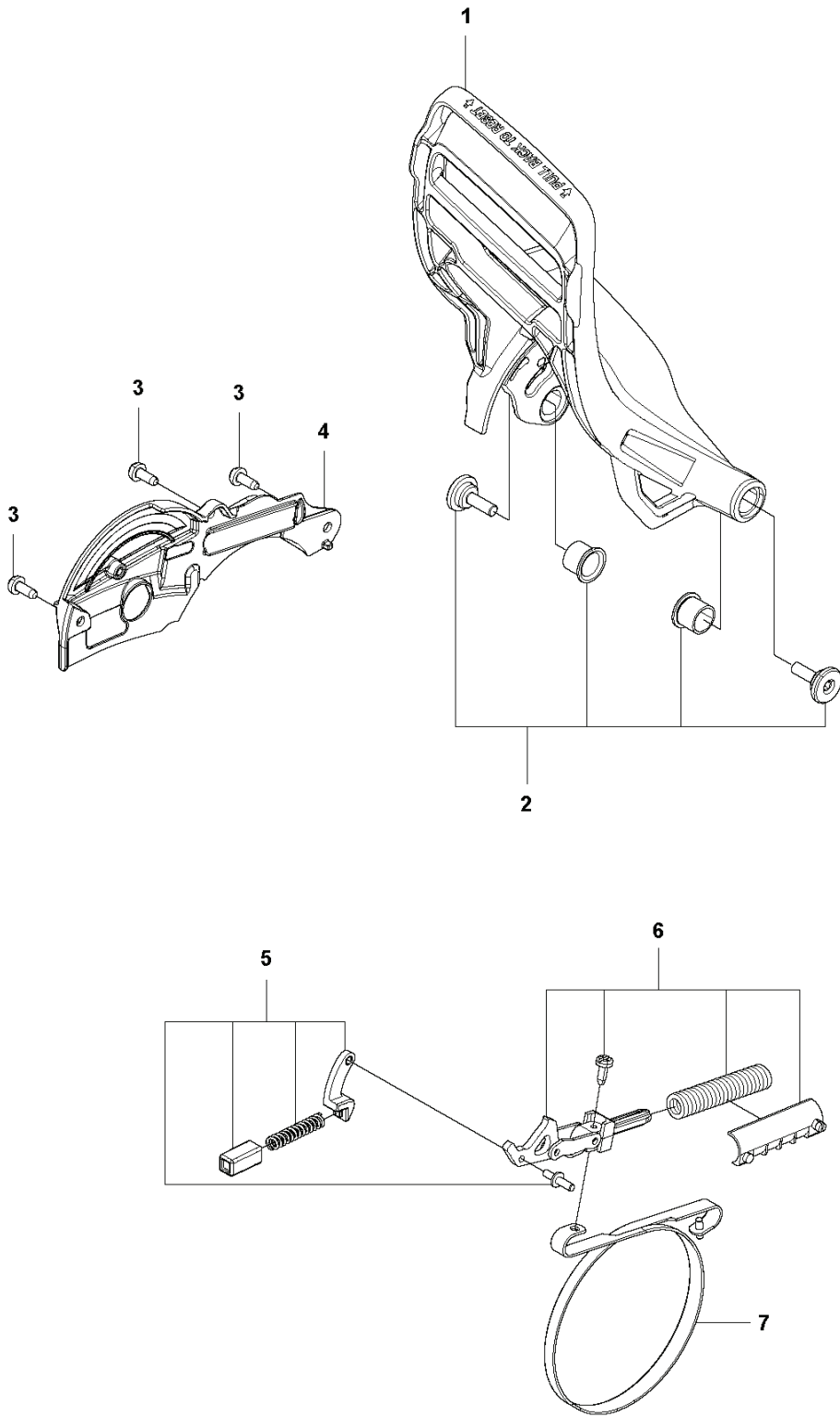
## CHAIN SAWS

---

PXM_REF	PXM_PARTNO	DESCRIPTION	PXM_REMARK	QTY.
1	598932901	CARBURETTOR		1
2	529509101	REPAIR KIT		1 1
3	529508801	GASKET KIT		1 1



**A** 592 XP®, 592 XP® G  
CHAIN BRAKE

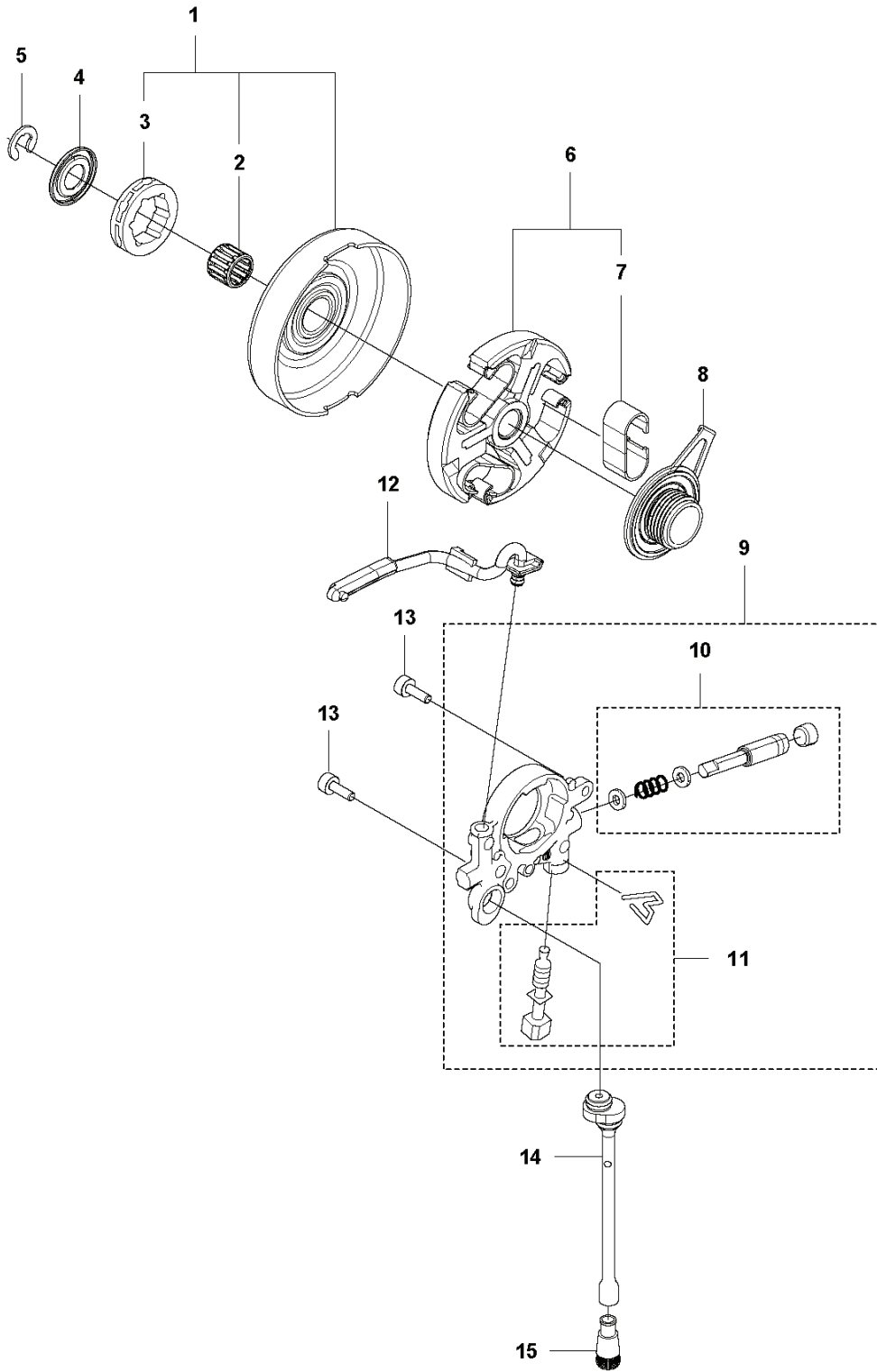


## CHAIN SAWS

---

PXM_REF	PXM_PARTNO	DESCRIPTION	PXM_REMARK	QTY.
1	593243401	HAND GUARD		1
2	598878401	SCREW KIT		1
3	582213301	SCREW		3
4	574825601	COVER		1
5	598826801	CATCH		1
6	598826701	KNEE JOINT ASSY		1
7	503752202	BRAKE BAND ASSY		1

**C** 592 XP®, 592 XP®G  
CLUTCH & OIL PUMP

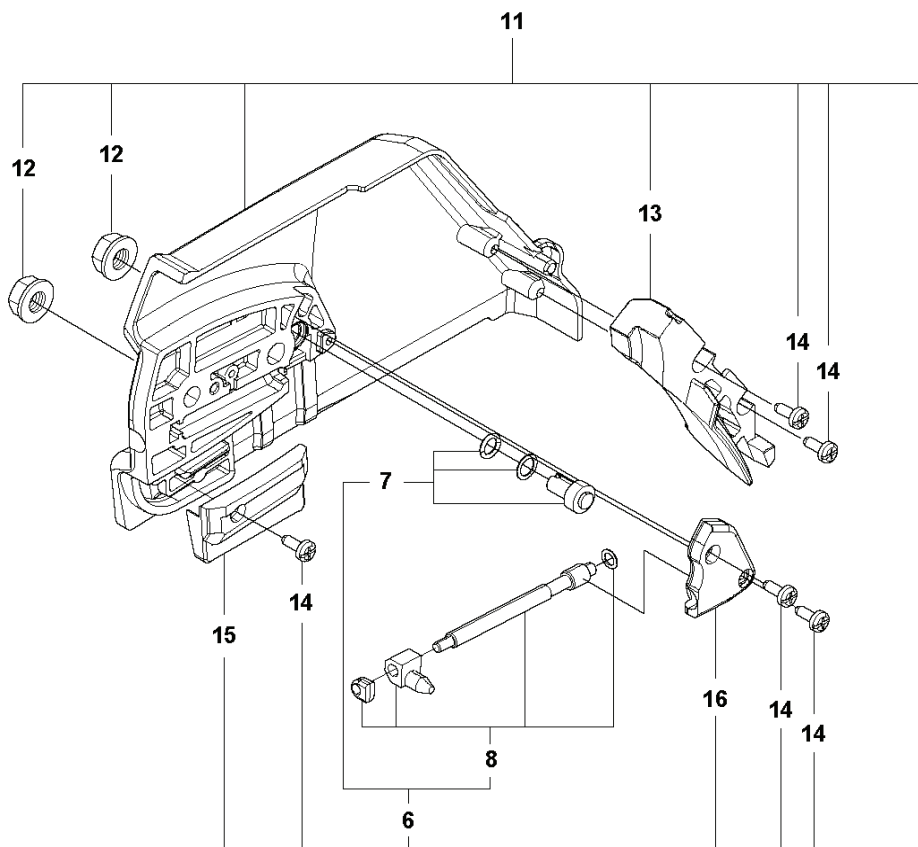
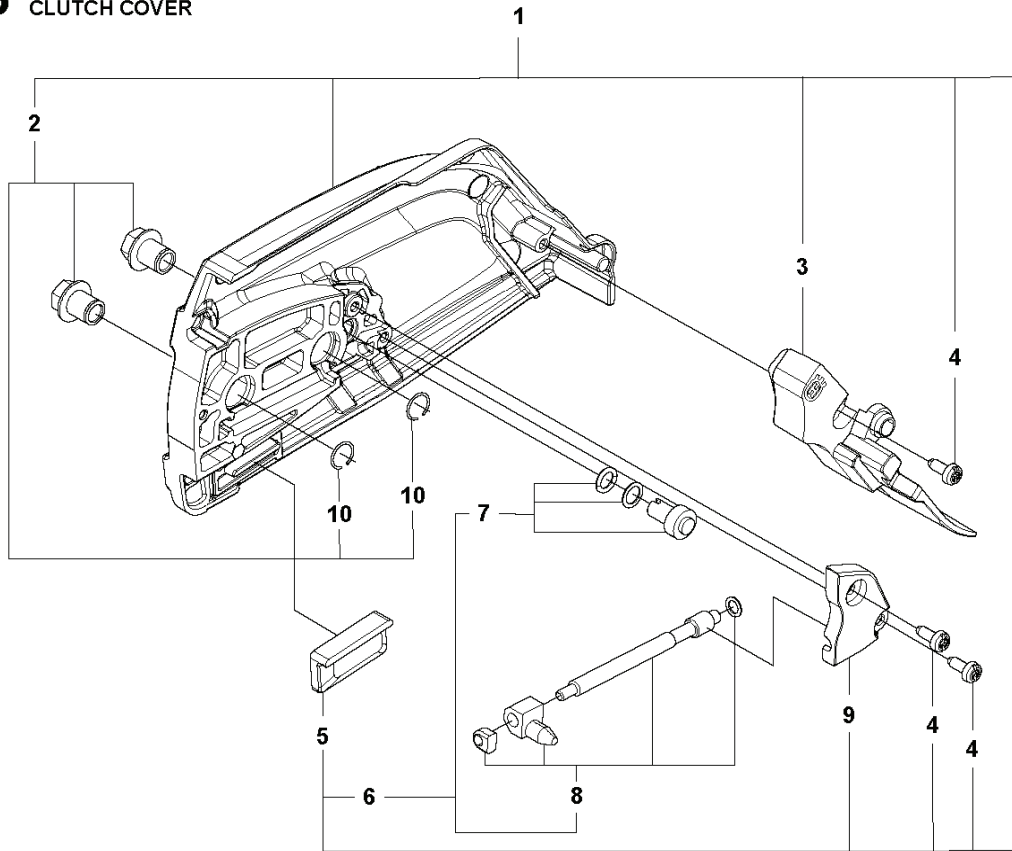


## CHAIN SAWS

---

PXM_REF	PXM_PARTNO	DESCRIPTION	PXM_REMARK	QTY.
1	598878501	CLUTCH DRUM ASSY		1
2	503432001	NEEDLE HOLDER		1 1
3	501598002	RIM		1 1
4	503752401	WASHER		1
5	503272101	E-CLIP		1
6	599231002	CLUTCH ASSY		1
7	503975102	CLUTCH SPRING		3 6
8	582270105	PUMP PINION		1
9	589028404	OIL PUMP ASSY	GREY	1
10	590119702	PUMP PISTON		1 9
11	590120101	OIL PUMP		1 9
12	576987401	OIL PRESSURE HOSE		1
13	526818102	SCREW ITXSCM		2
14	588404702	OIL HOSE		1
15	501544102	OIL SCREEN		1

**B** 592 XP®, 592 XP®G  
CLUTCH COVER

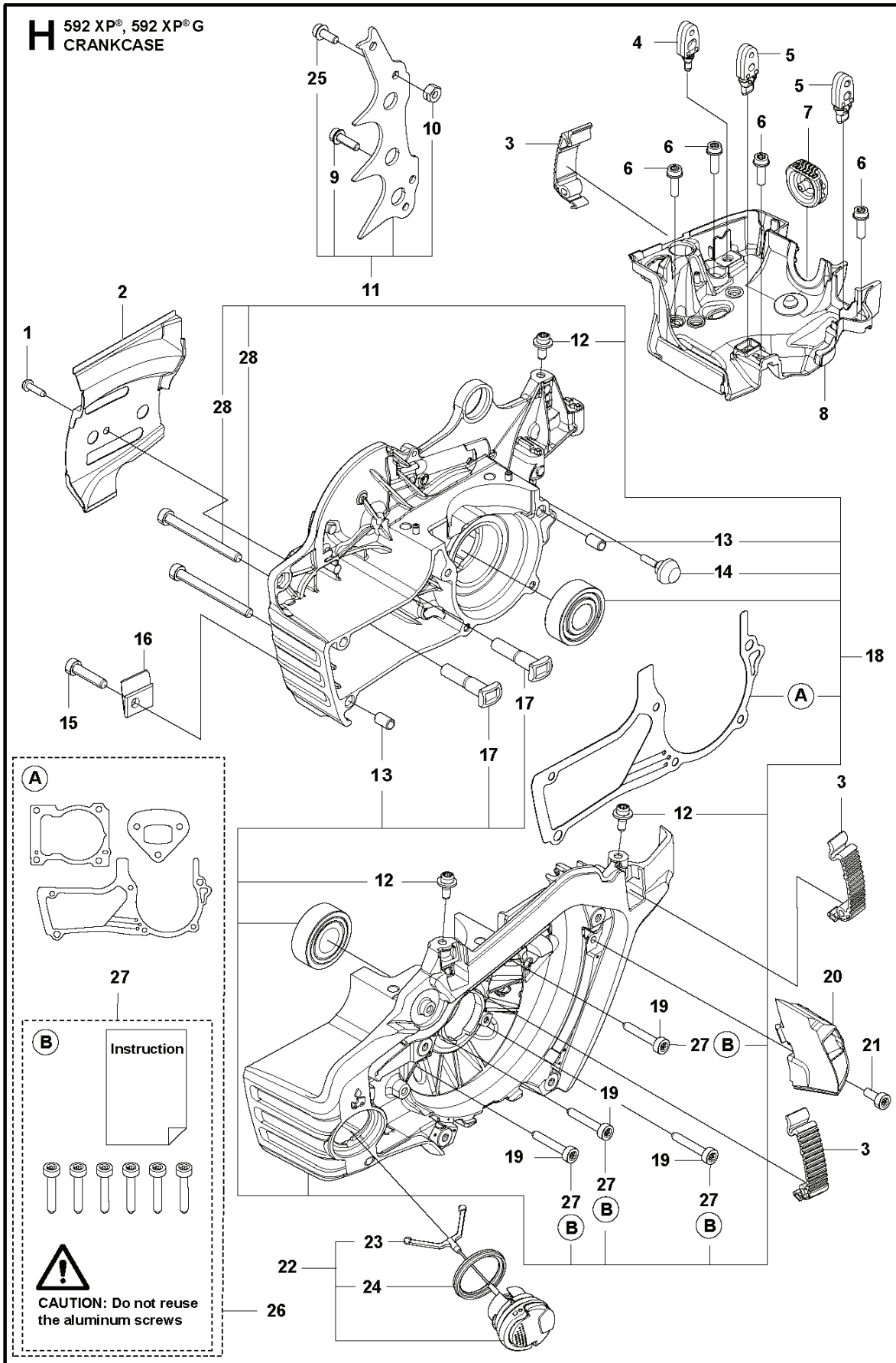


## CHAIN SAWS

---

PXM_REF	PXM_PARTNO	DESCRIPTION	PXM_REMARK	QTY.	
1	599591701	CLUTCH COVER ASSY		1	
2	531012901	CHAIN BRAKE	2pcs Unlosable nuts and 2pcs Snap rings	2	1
3	575236401	CHIP GUARD		1	1
4	526221801	SCREW CITXPANT		3	1
5	501517201	CHAIN GUIDE		1	1
6	590104701	CHAIN TENSIONER KIT		1	1,1
7	590105101	WORM WHEEL		1	1,6
8	590104801	WORM SCREW		1	1,6
9	576424301	COVER		1	1
10	531222801	SNAP RING		1	1,2
11	594907802	CLUTCH COVER ASSY	WRAP	1	
12	503220001	HEXAGON NUT	WRAP	2	10
13	537174101	CHIP GUARD	WRAP	1	10
14	525887402	SCREW CITXPANT	WRAP	5	10
15	537043401	CHAIN GUIDE	WRAP	1	10
16	537016801	COVER	WRAP	1	10

**H** 592 XP®, 592 XP® G  
CRANKCASE

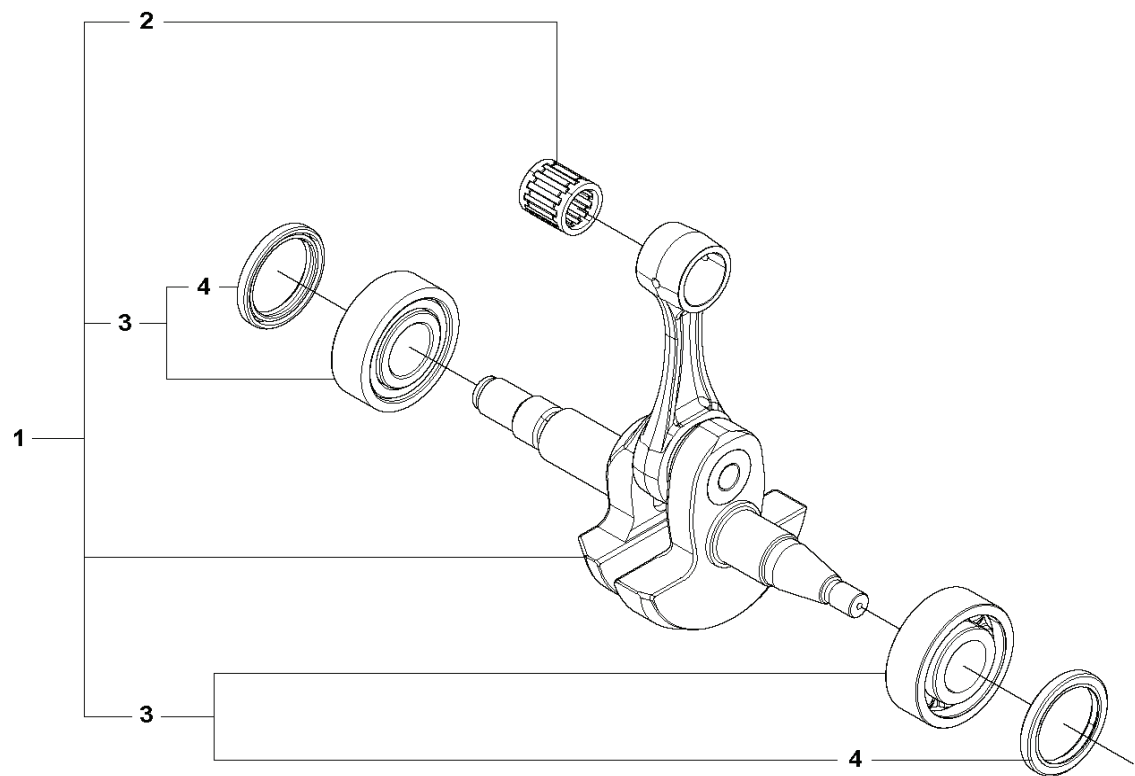


## CHAIN SAWS

PXM_REF	PXM_PARTNO	DESCRIPTION	PXM_REMARK	QTY.
1	526221801	SCREW CITXPANT		1
2	575616301	CHAIN GUIDE PLATE		1
3	595303003	SNAP LOCKING	Only use for Magnesium or Aluminum Crankcase	3
4	597909701	DAMPER		1
5	595013901	DAMPER		2
6	575885703	SCREW ITXSCFM		4
7	595845301	GROMMET		1
8	599780901	CARBURETTOR AREA BASE		1
9	525755105	SCREW ITXSCFM		1 11
10	503222401	LOCK NUT		1 11
11	529536901	SPIKE		1
12	525824401	SCREW ITXSCM		3 18
13	593806001	GUIDE BUSHING		2 18
14	503846101	BUFFER		1 18
15	544218401	SCREW ITXSCM		1
16	537377902	CHAIN CATCHER		1
17	537051301	BAR BOLT		2 18
18	597960801	CRANKCASE KIT		1 18
19	503215330	SCREW ITXSCM	Steel screw	4
20	593235101	AIR NOZZLE		1
21	574353505	SCREW ITXSCM		1
22	522620003	TANK CAP ASSY		1
23	503578901	HOLDER		1 22
24	589241101	GASKET		1 22
25	525755101	SCREW ITXSCFM		1
26	597939002	GASKET KIT	Gaskets and 6pcs Aluminum screws	1
27	529867201	SCREW KIT	6pcs Aluminum screws (Original)	1 19
28	503215375	SCREW		2



**E** 592 XP®, 592 XP®G  
CRANKSHAFT



## CHAIN SAWS

---

PXM_REF	PXM_PARTNO	DESCRIPTION	PXM_REMARK	QTY.
1	597939201	CRANKSHAFT KIT		1
2	599425201	NEEDLE BEARING		1 1
3	503251302	BALL BEARING		2 1
4	584226501	SEALING RING		2 1

**D** 592 XP®, 592 XP®G  
CYLINDER COVER

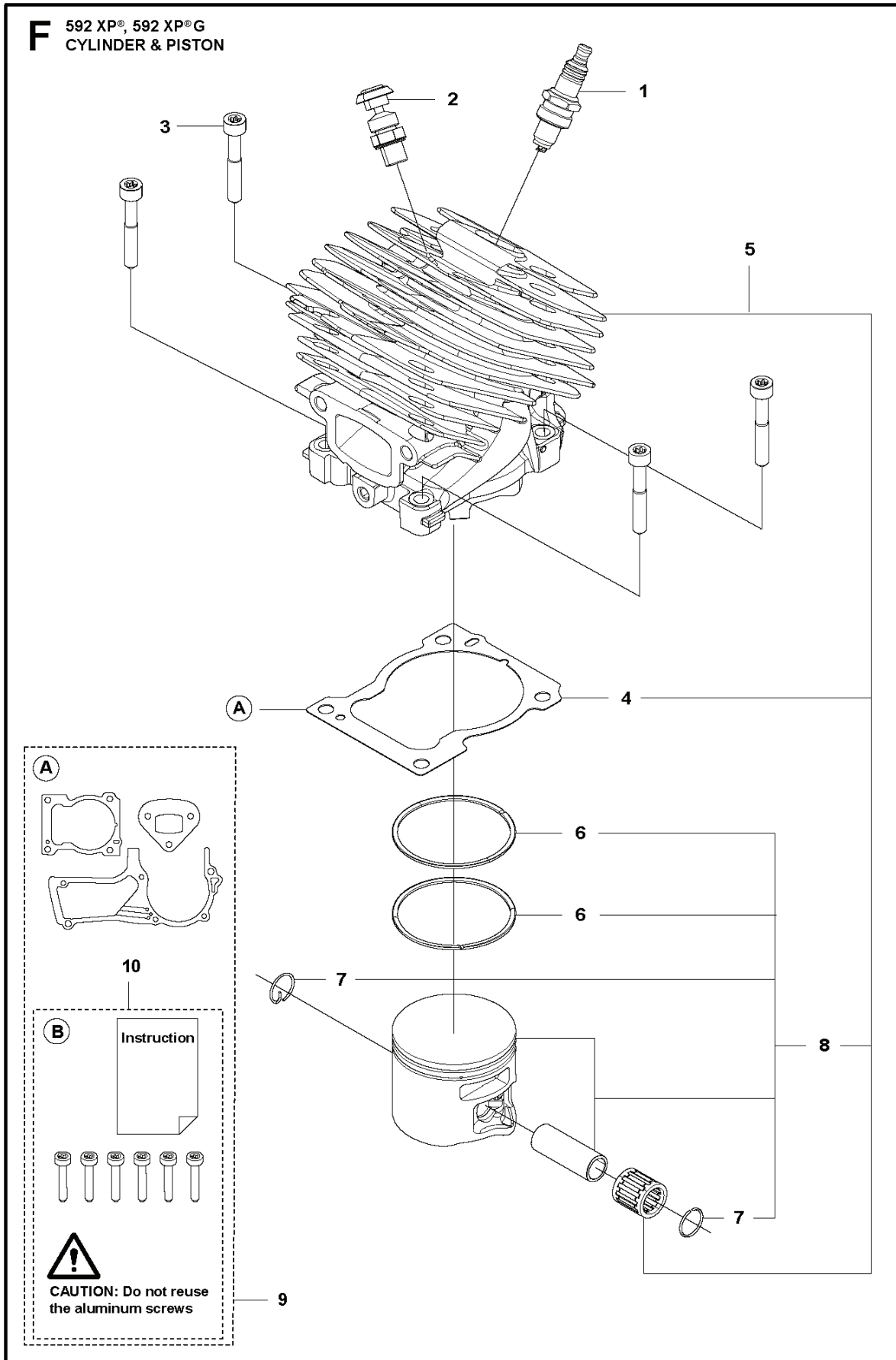


## CHAIN SAWS

---

PXM_REF	PXM_PARTNO	DESCRIPTION	PXM_REMARK	QTY.
1	593238201	CYLINDER COVER		1

**F** 592 XP®, 592 XP®G  
CYLINDER & PISTON

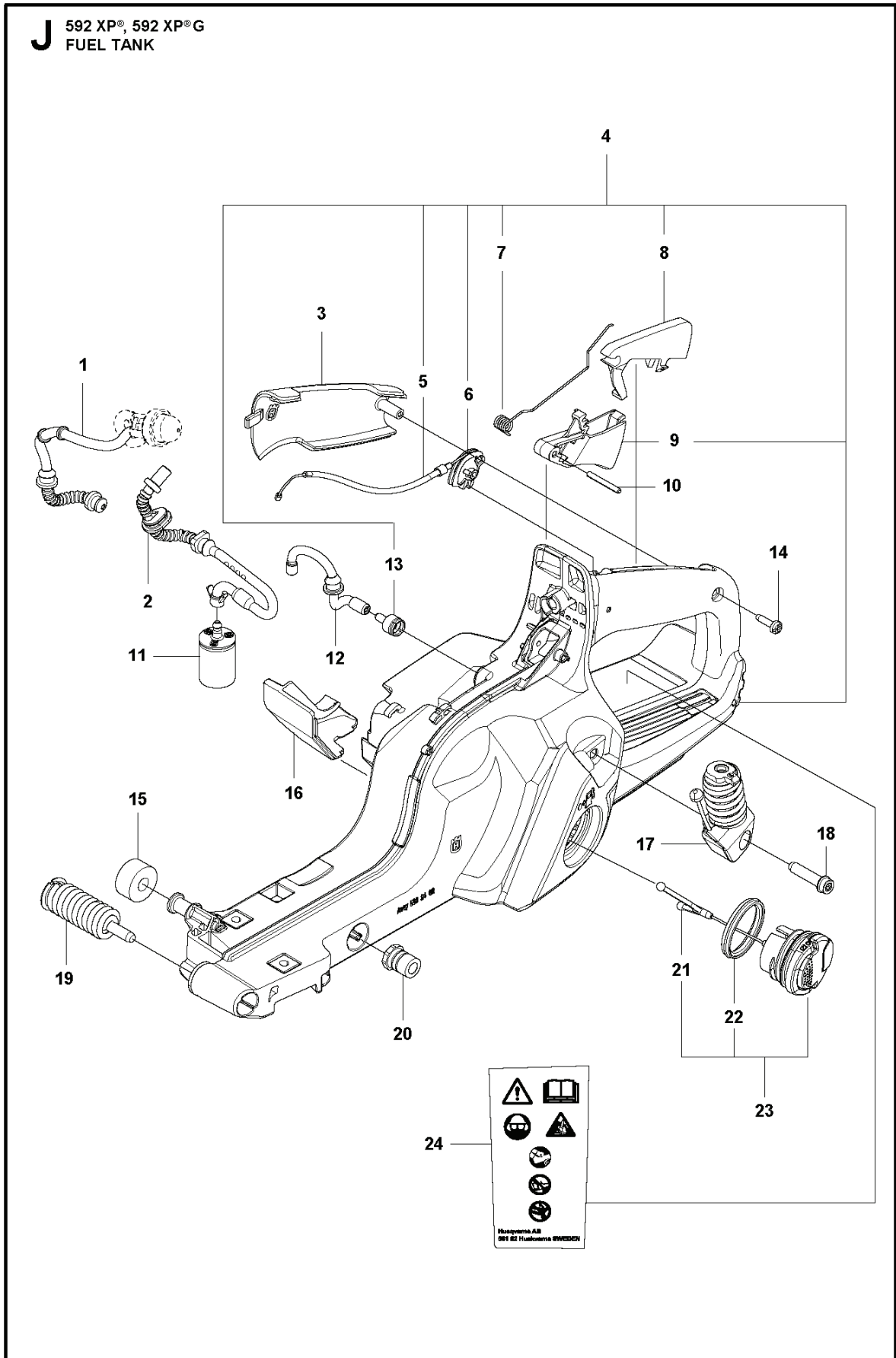


## CHAIN SAWS

---

PXM_REF	PXM_PARTNO	DESCRIPTION	PXM_REMARK	QTY.
1	574519601	SPARK PLUG		1
2	575276901	DECOMPRESSION VALVE		1
3	596682802	SCREW		4
4	593219401	GASKET		1
5	597054203	CYLINDER KIT		1
6	598851101	PISTON RING		2
7	737441300	CIRCLIP		2
8	593203602	PISTON ASSY		1
9	597939002	GASKET KIT	Gaskets and 6pcs Aluminum screws	1
10	529867201	SCREW KIT	6pcs Aluminum screws	1

**J** 592 XP®, 592 XP®G  
FUEL TANK

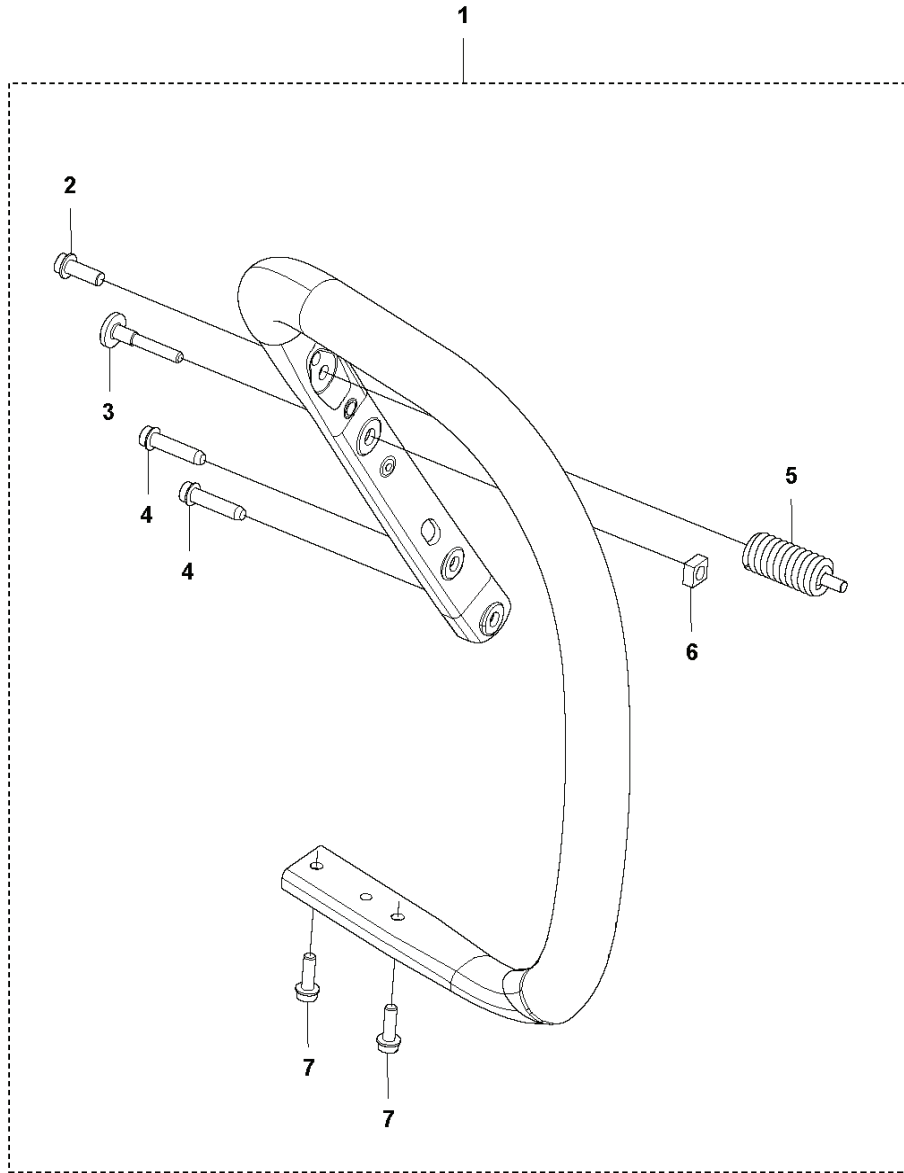


## CHAIN SAWS

PXM_REF	PXM_PARTNO	DESCRIPTION	PXM_REMARK	QTY.
1	593976401	FUEL HOSE		1
2	529578202	FUEL HOSE ASSY	With magnet	1
3	537205501	COVER		1
4	597960301	FUEL TANK ASSY		1
5	593246301	THROTTLE CABLE ASSY		1
6	537208501	LEVER		1
7	537209801	SPRING		1
8	537208401	THROTTLE LOCKOUT		1
9	537208301	THROTTLE TRIGGER		1
10	720124020	PARALLEL PIN		1
11	503443203	FUEL FILTER	18-40 µm (Blue)	1
11	503443205	FUEL FILTER	18-40 µm (Blue) Mega pack (100 pcs)	1
12	593976501	FUEL HOSE		1
13	501152903	TANK VENT ASSY		1
14	525887402	SCREW CITXPANT		1
15	523085501	DEFLECTION LIMITER		1
16	593257001	WEAR PROTECTION		1
17	593255601	ANTIVIBRATION ELEMENT		1
18	525798103	SCREW ITXSCFT		1
19	593255501	ANTIVIBRATION ELEMENT		1
20	501007601	SUPPORT		1
21	503578901	HOLDER		1
22	589241101	GASKET		1
23	522620003	TANK CAP ASSY		1
24	582794105	LABEL		1



**K** 592 XP®  
HANDLE

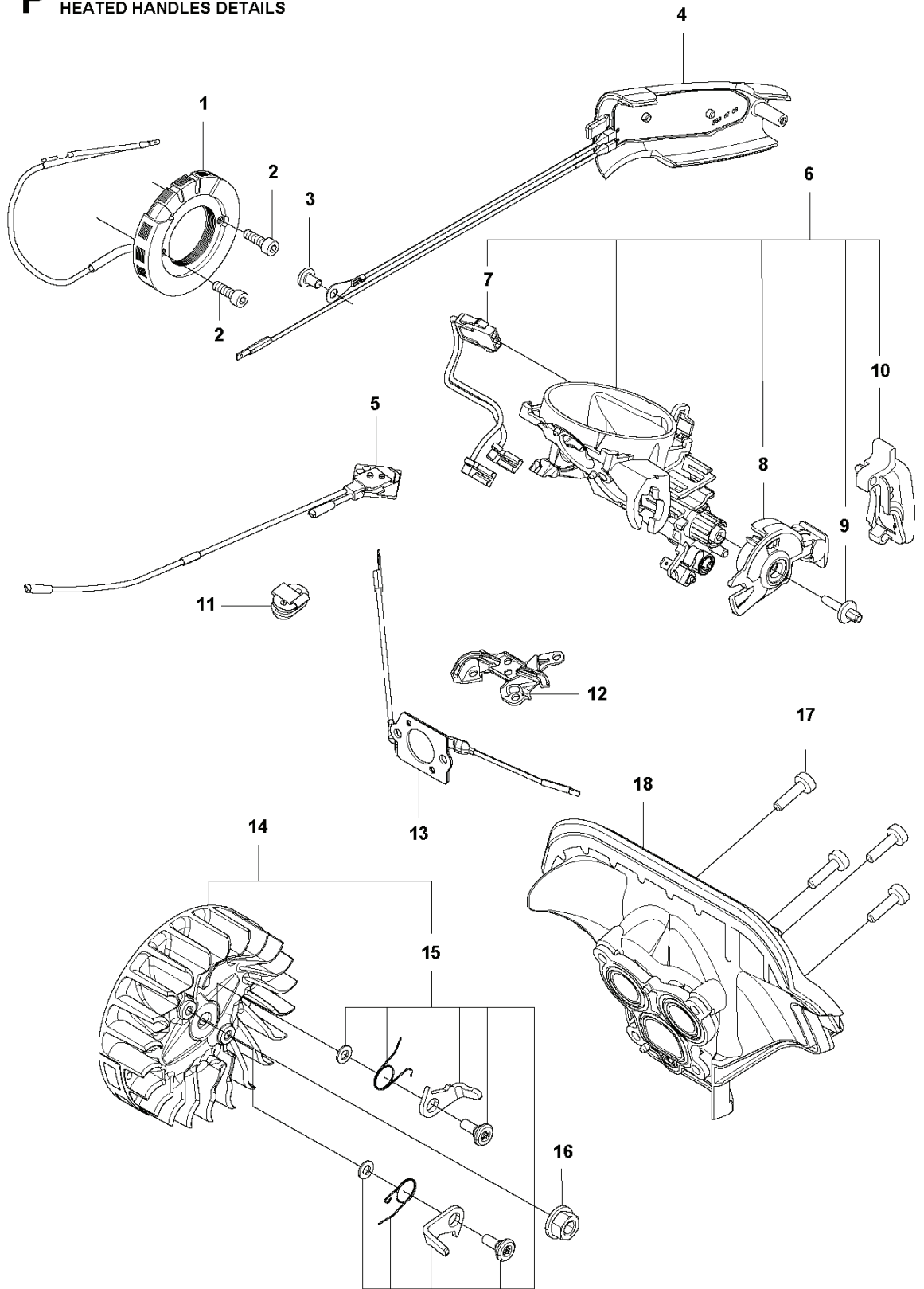


## CHAIN SAWS

---

PXM_REF	PXM_PARTNO	DESCRIPTION	PXM_REMARK	QTY.
1	593202801	HANDLE SYSTEM		1
2	522751901	SCREW ITXSCFM		1 1
3	504064502	SCREW ITXPANM		1 1
4	525798103	SCREW ITXSCFT		2 1
5	593661701	ANTIVIBRATION ELEMENT		1 1
6	503226601	SQUARE NUT		1 1
7	575885703	SCREW ITXSCFM		2 1

**P** 592 XP®G  
HEATED HANDLES DETAILS

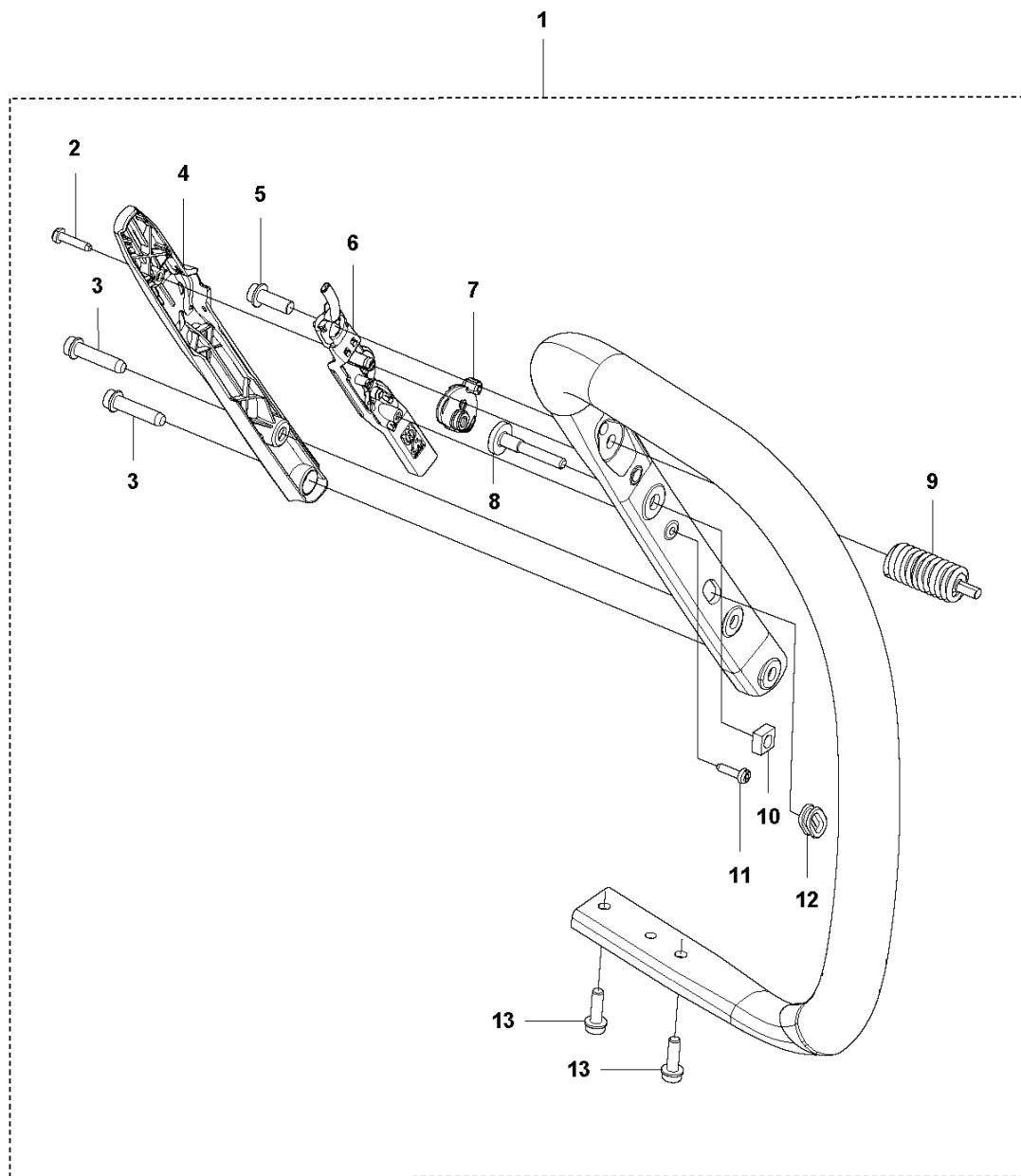


## CHAIN SAWS

---

PXM_REF	PXM_PARTNO	DESCRIPTION	PXM_REMARK	QTY.
1	596298301	STATOR ASSY		1
2	526818102	SCREW ITXSCM		2
3	526221801	SCREW CITXPANT		1
4	593912701	HANDLE INSERT		1
5	593908901	THERMOSTAT ASSY		1
6	593261002	INLET ELBOW		1
7	593976301	WIRING ASSY		1 6
8	593260801	CHOKE CONTROL ASSY		1 6
9	505156201	SCREW		1 6
10	593909001	SEALING		1 6
11	582157101	GROMMET		1
12	598940901	RETAINER		1
13	593908701	FOIL ELEMENT		1
14	593239902	FLYWHEEL ASSY	XPG	3
15	597960601	SCREW KIT		1 14
16	503220401	NUT		1
17	526818101	SCREW ITXSCM		1
18	593257902	INLET PIPE ASSY		1

**L** 592 XP®G  
HEATED HANDLE

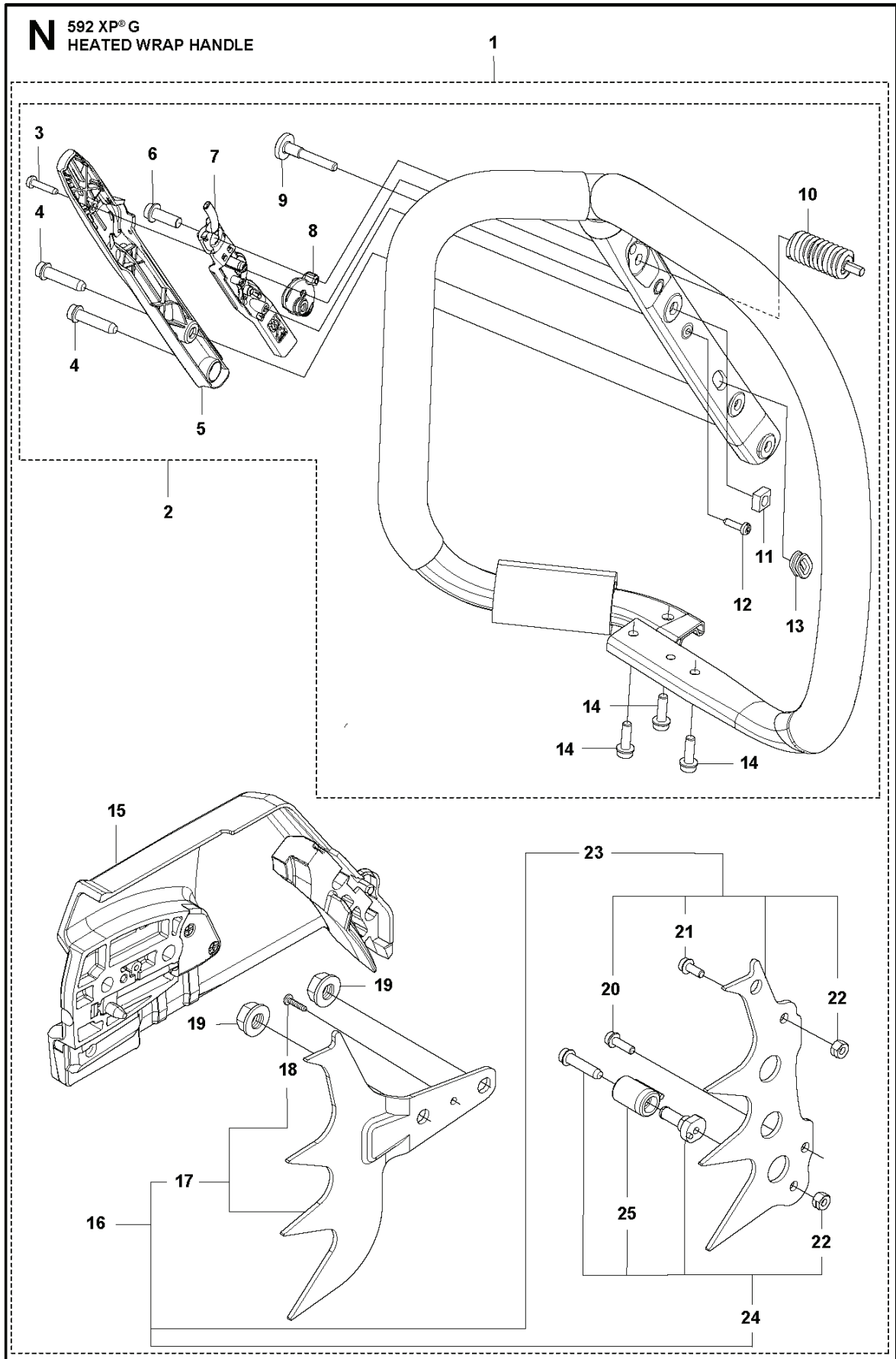


## CHAIN SAWS

---

PXM_REF	PXM_PARTNO	DESCRIPTION	PXM_REMARK	QTY.
1	593202802	HANDLE SYSTEM		1
2	525887404	SCREW CITXPANT		1 13
3	525798103	SCREW ITXSCFT		2 13
4	593911001	COVER		1 13
5	522751901	SCREW ITXSCFM		1 13
6	593910901	CONTACT PLATE		1 13
7	537252501	CONTACT PLATE		1 13
8	504064502	SCREW ITXPANM		1 13
9	593661701	ANTIVIBRATION ELEMENT		1 13
10	503226601	SQUARE NUT		1 13
11	525887402	SCREW CITXPANT		1 13
12	537088301	GROMMET		1 13
13	575885703	SCREW ITXSCFM		2

**N** 592 XP® G  
HEATED WRAP HANDLE

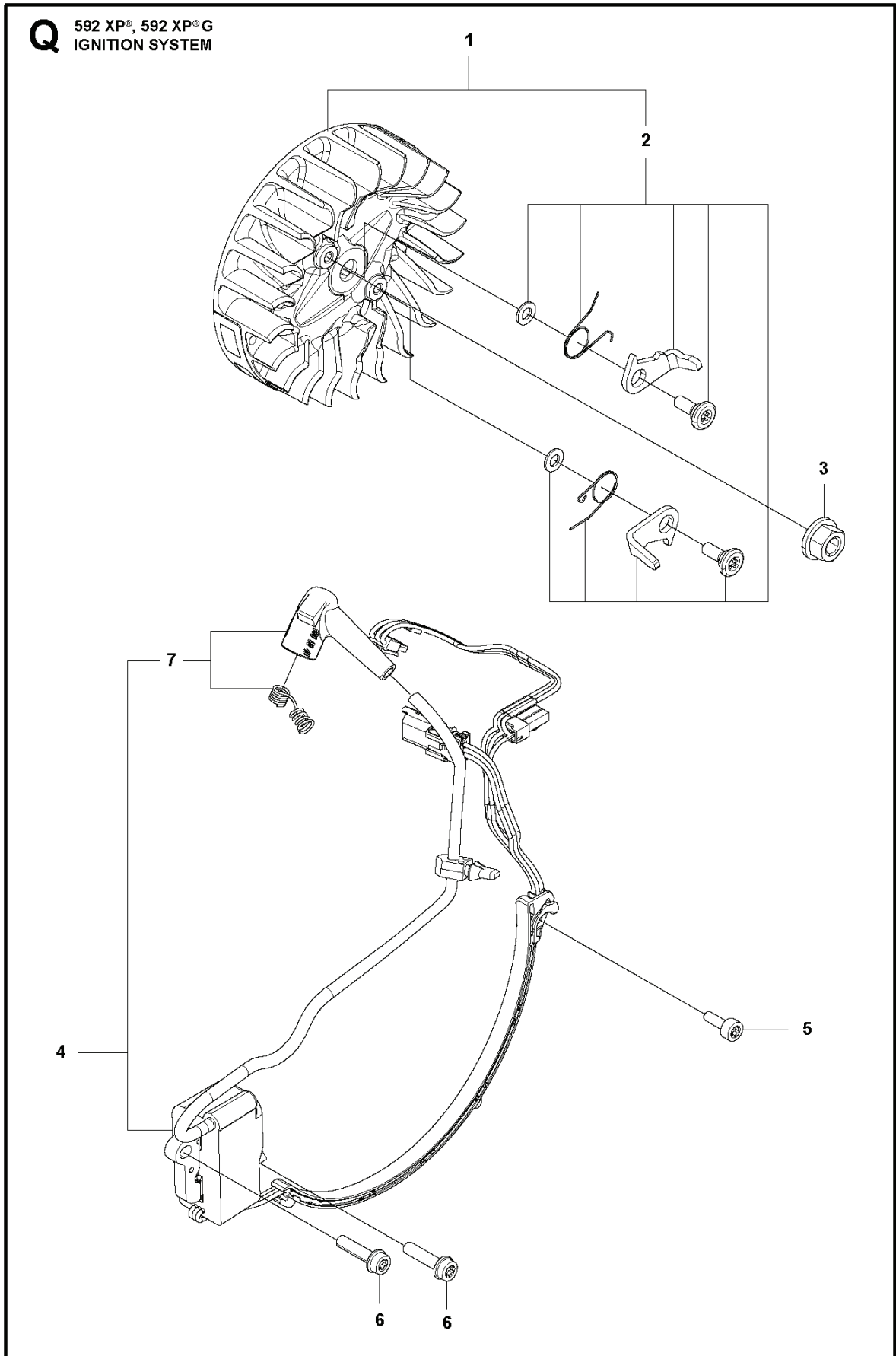


## CHAIN SAWS

PXM_REF	PXM_PARTNO	DESCRIPTION	PXM_REMARK	QTY.
1	529593901	HANDLE KIT		1
2	593202804	HANDLE SYSTEM		1 1
3	525887404	SCREW CITXPANT		1 1.2
4	525798103	SCREW ITXSCFT		2 1.2
5	593911001	COVER		1 1.2
6	522751901	SCREW ITXSCFM		1 1.2
7	593910901	CONTACT PLATE		1 1.2
8	537252501	CONTACT PLATE		1 1.2
9	504064502	SCREW ITXPANM		1 1.2
10	593661701	ANTIVIBRATION ELEMENT		1 1.2
11	503226601	SQUARE NUT		1 1.2
12	525887402	SCREW CITXPANT		1 1.2
13	537088301	GROMMET		1 1.2
14	575885703	SCREW ITXSCFM		3 1.2
15	594907802	CLUTCH COVER ASSY	WRAP	1
16	529593601	SPIKE		1 1
17	529742901	SPIKE		1 1.16
18	525887402	SCREW CITXPANT		1 1
19	503220001	HEXAGON NUT		2 1.21
20	525755101	SCREW ITXSCFM		1
21	525755105	SCREW ITXSCFM		1 1.21
22	503222401	LOCK NUT		2 1.21
23	529742902	SPIKE		1 1.16
24	589771301	CHAIN CATCHER		1 1.16
25	537024401	WEAR PROTECTION		1 1



**Q** 592 XP®, 592 XP® G  
IGNITION SYSTEM

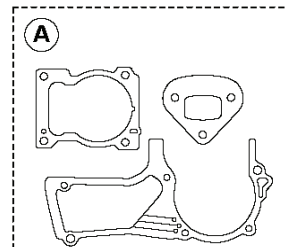
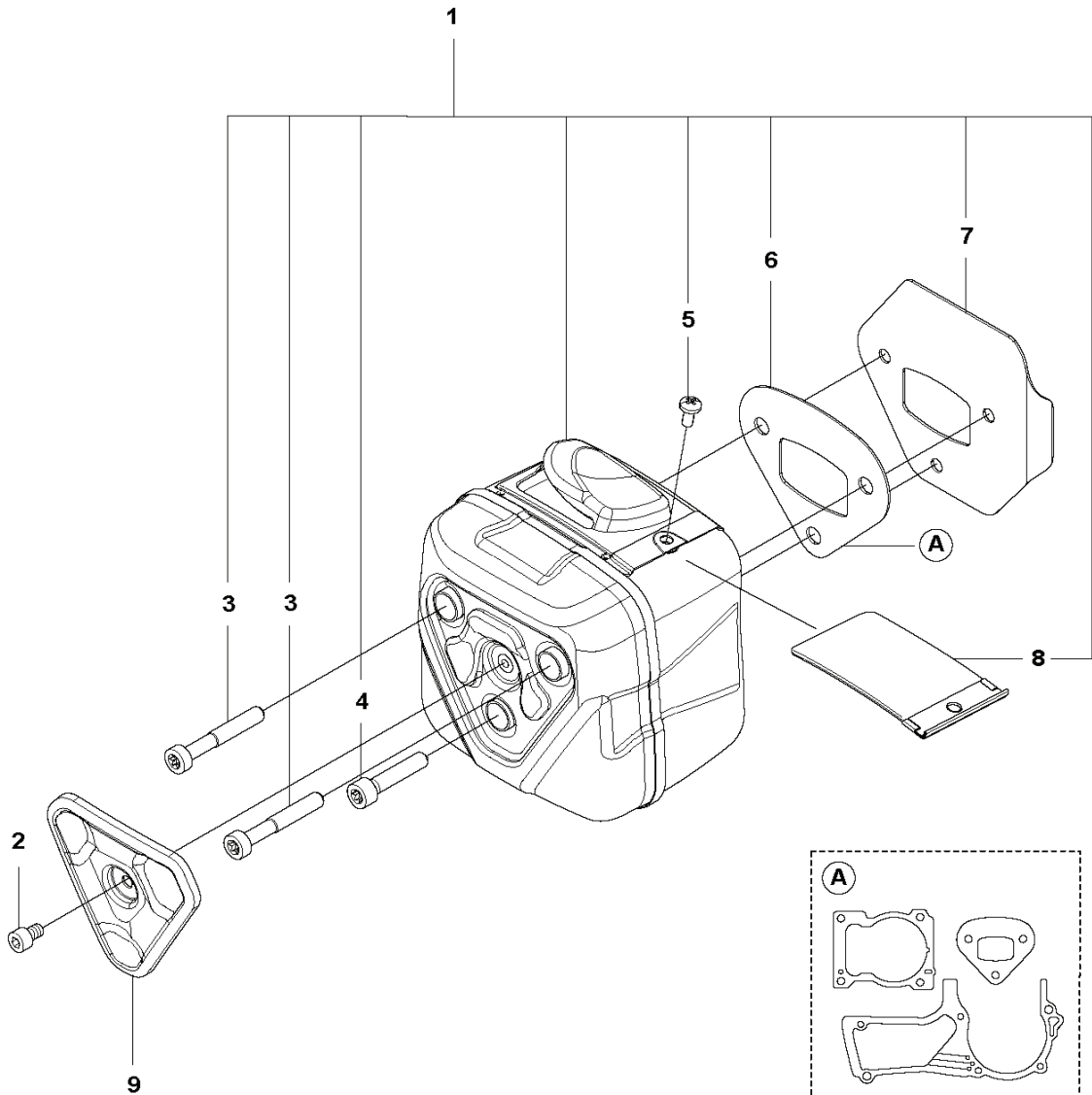


## CHAIN SAWS

---

PXM_REF	PXM_PARTNO	DESCRIPTION	PXM_REMARK	QTY.
1	593239901	FLYWHEEL ASSY	XP	1
2	597960601	SCREW KIT		1
3	503220401	NUT		1
4	529965401	IGNITION KIT		1
5	574353505	SCREW ITXSCM		1
6	525755102	SCREW ITXSCFM		2
7	531241501	SPARK PLUG CAP	Including contact spring	1

**R** 592 XP®, 592 XP®G  
MUFFLER

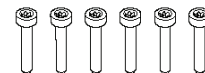


11

B

Instruction

10



**CAUTION:** Do not reuse  
the aluminum screws

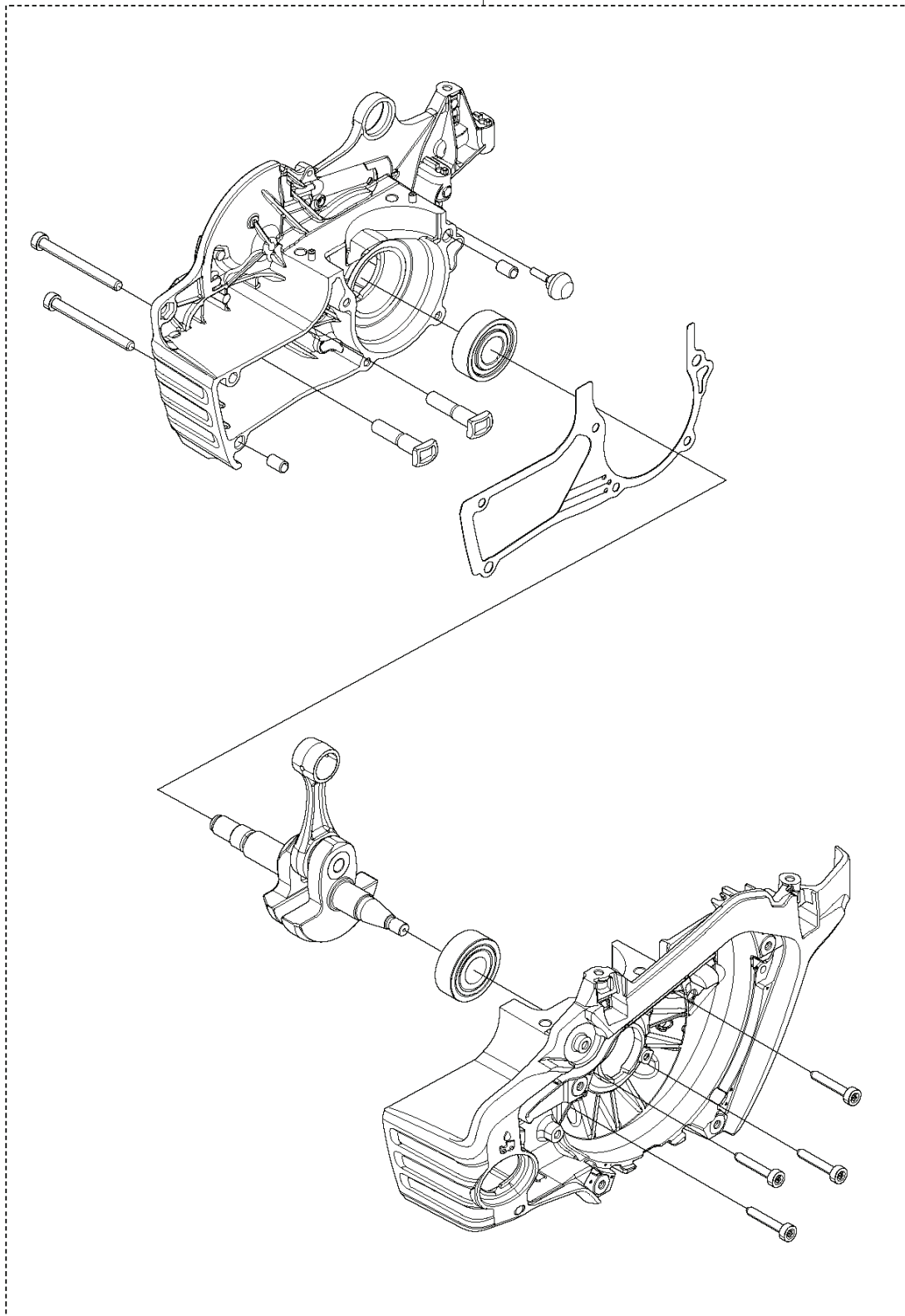
## CHAIN SAWS

---

PXM_REF	PXM_PARTNO	DESCRIPTION	PXM_REMARK	QTY.
1	598429901	MUFFLER KIT		1
2	535330801	SCREW		1
3	544218440	SCREW ITXSCM		2 1
4	596682801	SCREW		1 1
5	724128759	SCREW CRPANM		1 1
6	598431201	GASKET		1 1
7	598431301	HEAT DEFLECTOR		1 1
8	598430201	SPARK ARRESTER		1 1
9	529989301	CRASH GUARD		1
10	597939002	GASKET KIT	Gaskets and 6pcs Aluminum screws	1
11	529867201	SCREW KIT	6pcs Aluminum screws	1

**T** 592 XP®, 592 XP® G  
CRANKCASE SHORTBLOCK

1

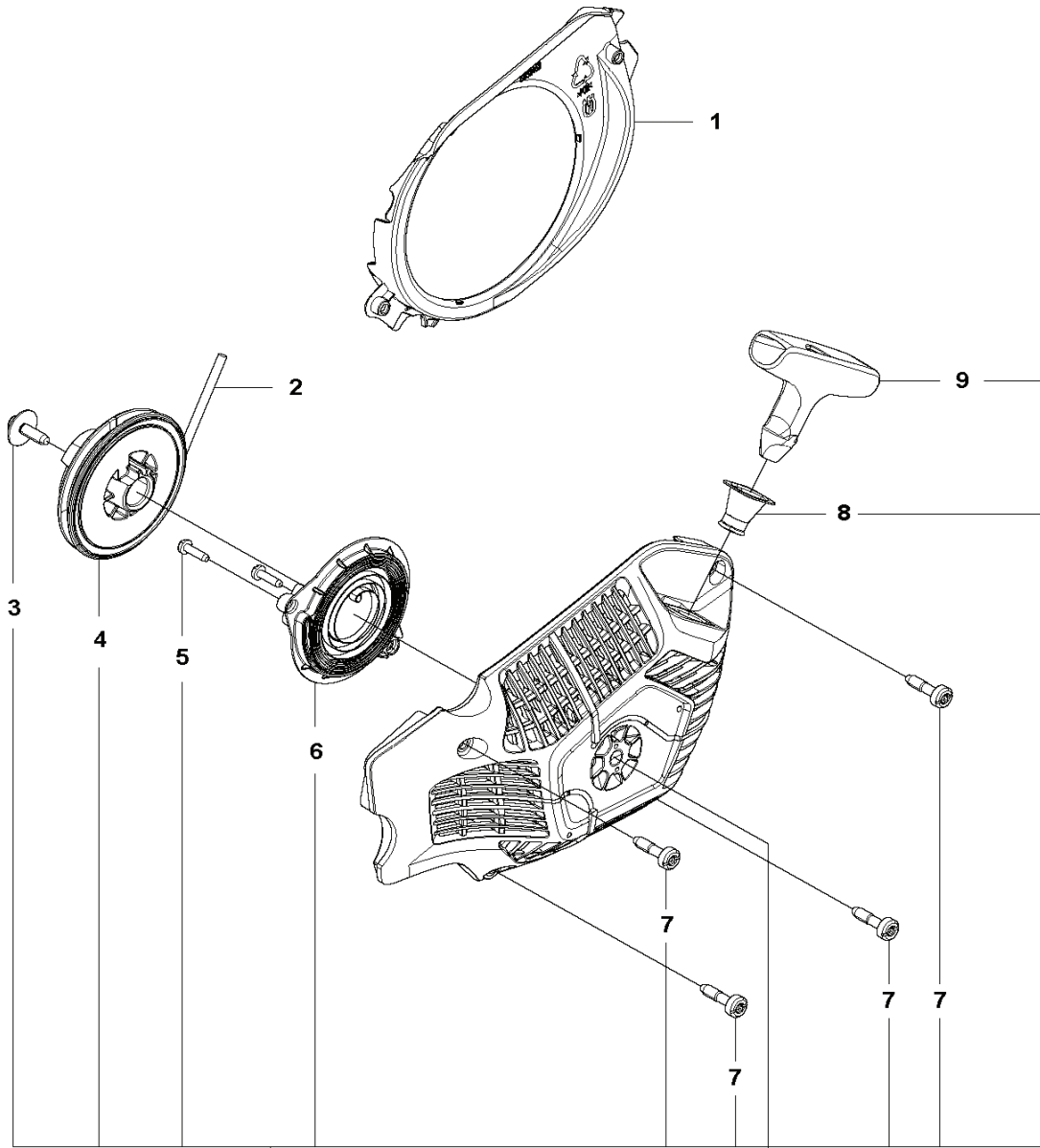


## CHAIN SAWS

---

PXM_REF	PXM_PARTNO	DESCRIPTION	PXM_REMARK	QTY.
1	597010901	SHORT BLOCK ASSY		1

**S** 592 XP®, 592 XP®G  
STARTER

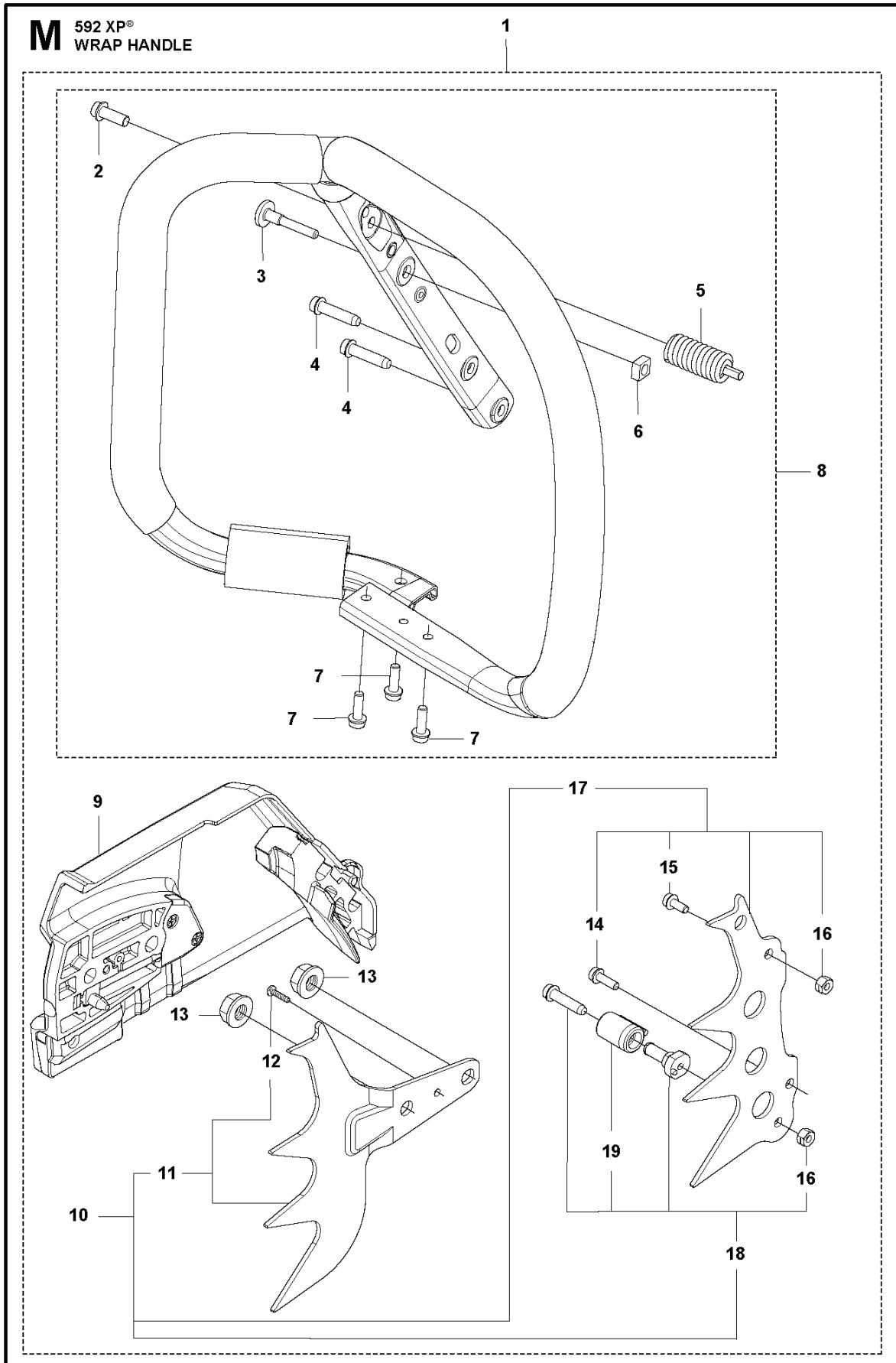


## CHAIN SAWS

---

PXM_REF	PXM_PARTNO	DESCRIPTION	PXM_REMARK	QTY.
1	593245201	COOLING AIR CONDUCTOR		1
2	503432902	STARTER CORD		1 10
3	576356601	SCREW ITXSCT		1 10
4	593245101	STARTER PULLEY		1 10
5	525887401	SCREW CITXPANT		2 10
6	593244801	SPRING CASSETTE ASSY		1 10
7	525824501	SCREW CITXPANMO		4 10
8	537283201	SLEEVE		1 10
9	537232501	STARTER HANDLE		1 10
10	598781201	STARTER ASSY		1
11	599333504	LABEL	592XP	1
11	599333503	LABEL	592XPG	1





## CHAIN SAWS

---

PXM_REF	PXM_PARTNO	DESCRIPTION	PXM_REMARK	QTY.
1	529593902	HANDLE KIT		1
2	522751901	SCREW ITXSCFM		1
3	504064502	SCREW ITXPANM		1
4	525798103	SCREW ITXSCFT		2
5	593661701	ANTIVIBRATION ELEMENT		1
6	503226601	SQUARE NUT		1
7	575885703	SCREW ITXSCFM		3
8	593202803	HANDLE SYSTEM		1
9	594907802	CLUTCH COVER ASSY	WRAP	1
10	529593601	SPIKE		1
11	529742901	SPIKE		1 1.10
12	525887402	SCREW CITXPANT		1
13	503220001	HEXAGON NUT		2
14	525755101	SCREW ITXSCFM		1
15	525755105	SCREW ITXSCFM		1
16	503222401	LOCK NUT		2
17	529742902	SPIKE		1 1.10
18	589771301	CHAIN CATCHER		1 10
19	537024401	WEAR PROTECTION		1 18